

[54] CONTAINER FOR MAGNETIC TAPE
MAGAZINES

[75] Inventor: Nobuaki Matsutsuka, Mito, Japan

[73] Assignee: Victor Company of Japan, Limited,
Yokohama, Japan

[**] Term: 14 Years

[21] Appl. No.: 680,055

[22] Filed: Dec. 10, 1984

[30] Foreign Application Priority Data

Jun. 14, 1984 [JP] Japan 59-88356

[52] U.S. Cl. D3/35

[58] Field of Search D3/35; D9/341, 345,
D9/424; 206/387

[56] References Cited

U.S. PATENT DOCUMENTS

D. 238,110 12/1975 Shyers D3/35

D. 281,834 12/1985 Rose, Jr. et al. D3/35
4,241,859 12/1980 Eames 206/387 X
4,493,417 1/1985 Ackeret 206/387

Primary Examiner—Robert C. Spangler
Attorney, Agent, or Firm—Cushman, Darby & Cushman

[57] CLAIM

The ornamental design for a container for magnetic tape magazines, as shown.

DESCRIPTION

FIG. 1 is a top, front and left side perspective view of a container for magnetic tape magazines showing my new design,

FIG. 2 is a bottom, rear and left side perspective view thereof,

FIG. 3 is a front elevational view thereof,

FIG. 4 is a rear elevational view thereof,

FIG. 5 is a top plan view thereof,

FIG. 6 is a bottom plan view thereof,

FIG. 7 is a right side elevational view thereof, and

FIG. 8 is a left side elevational view thereof.

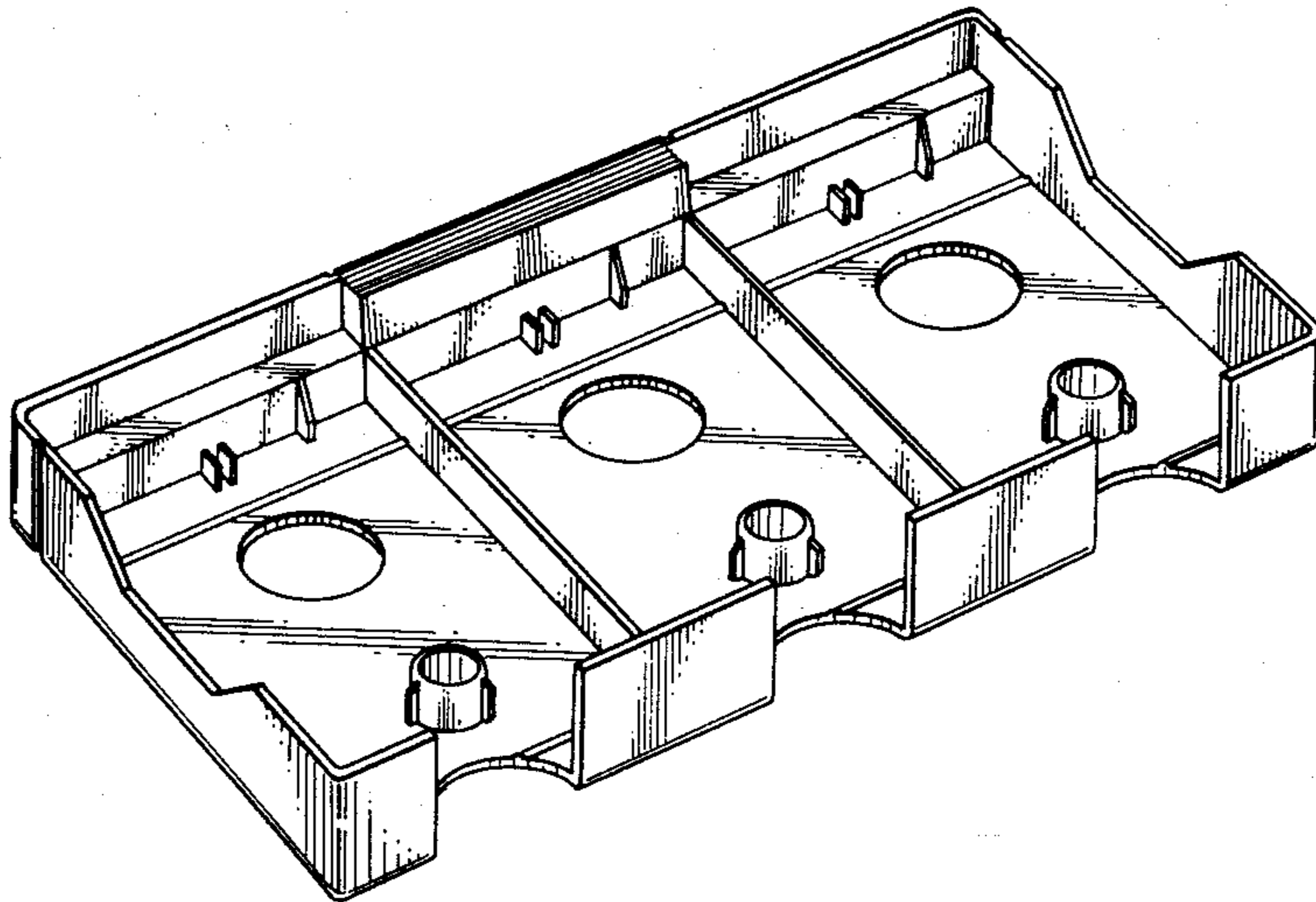


FIG. 1

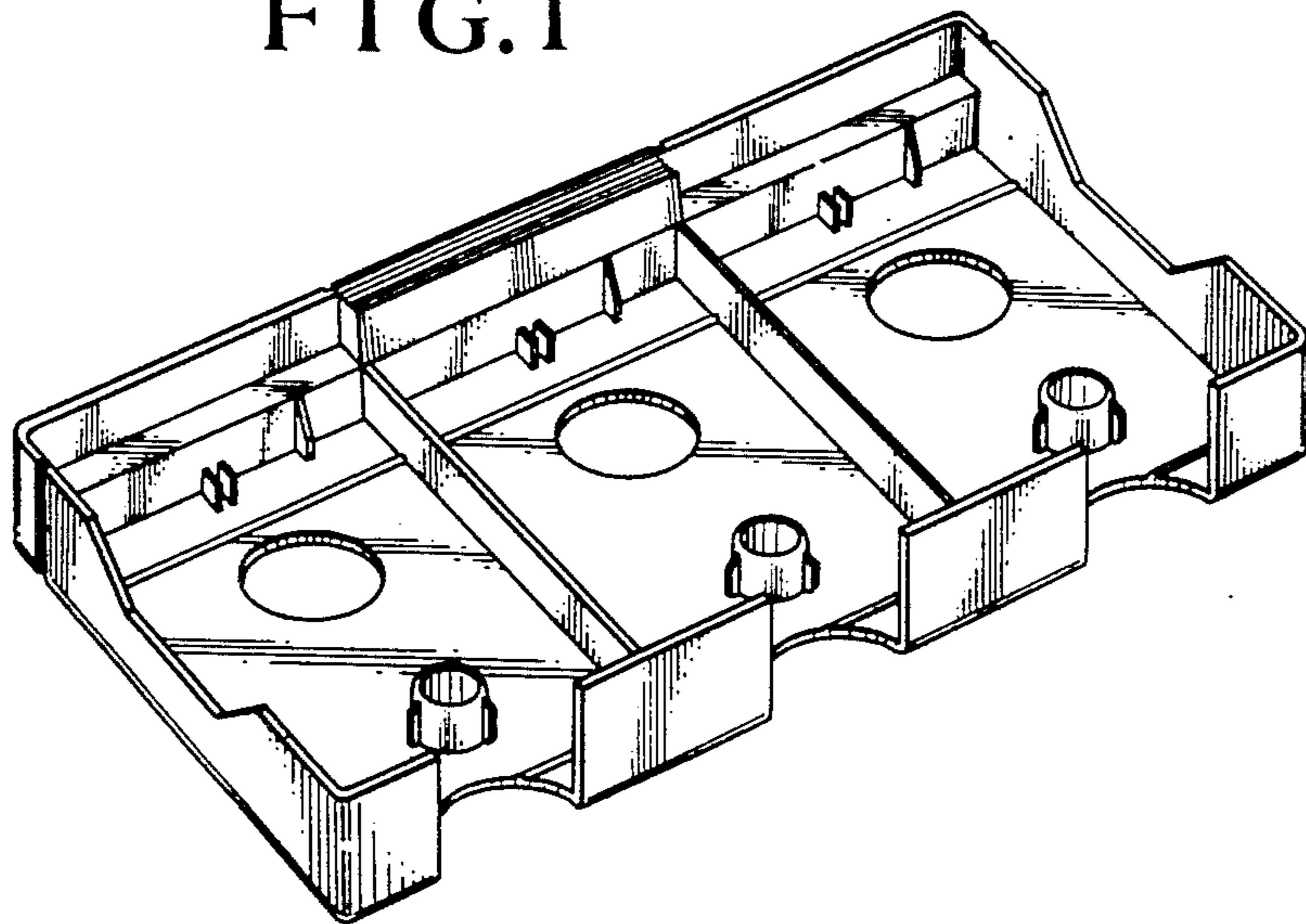


FIG. 2

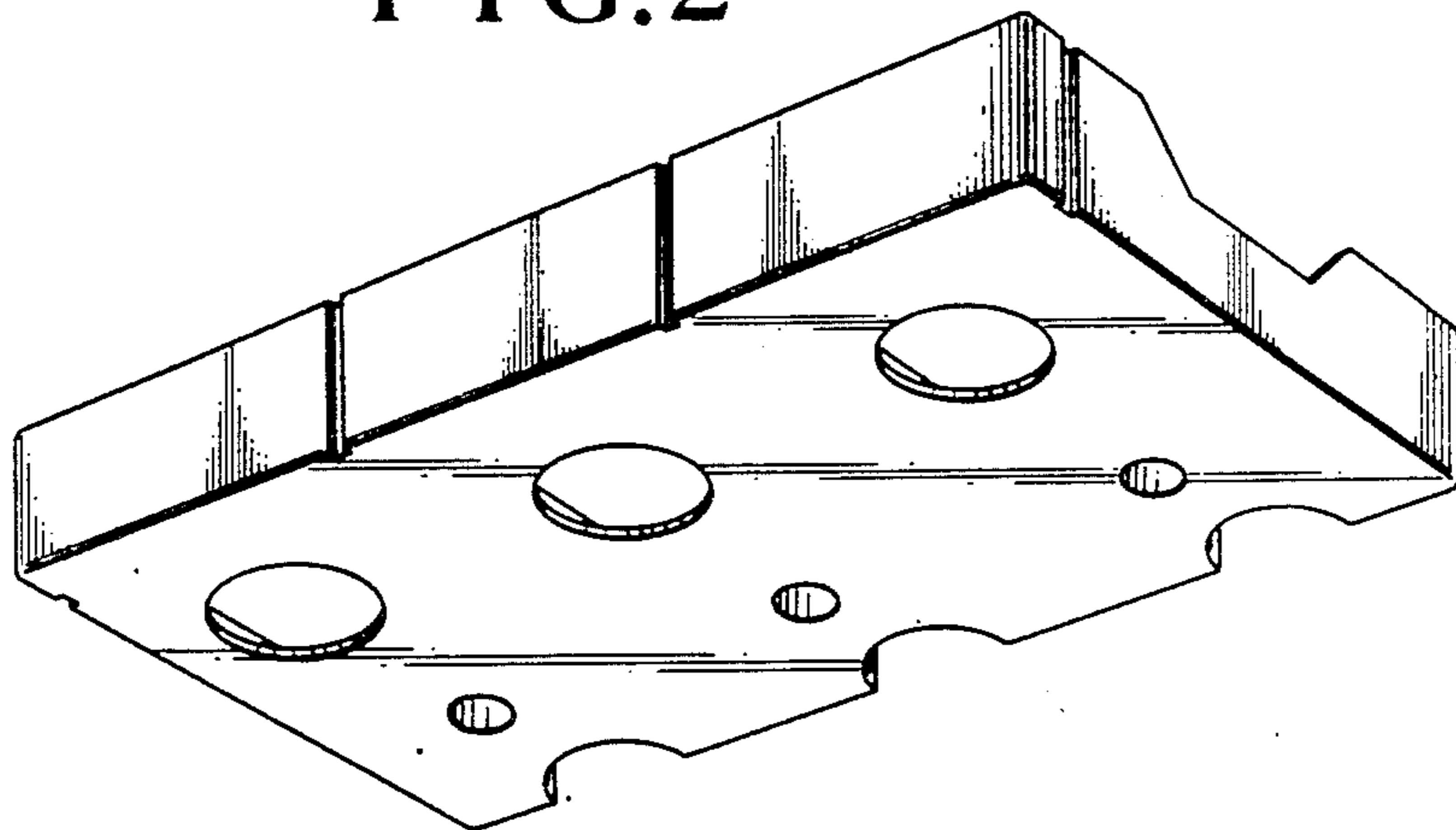


FIG.3

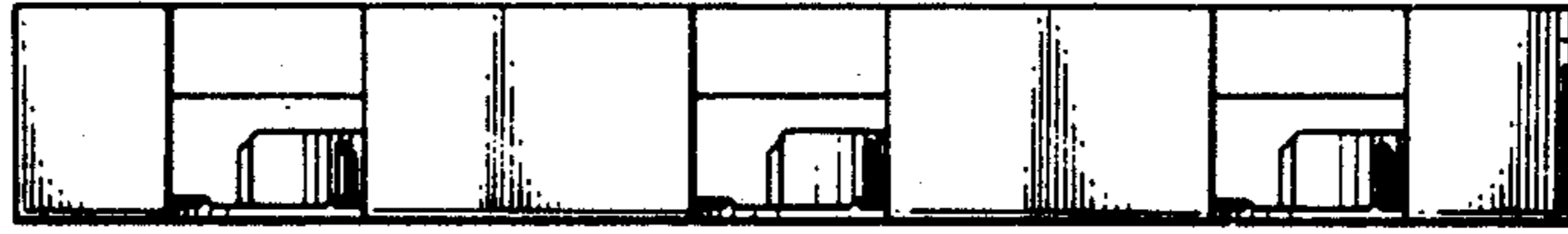


FIG.4

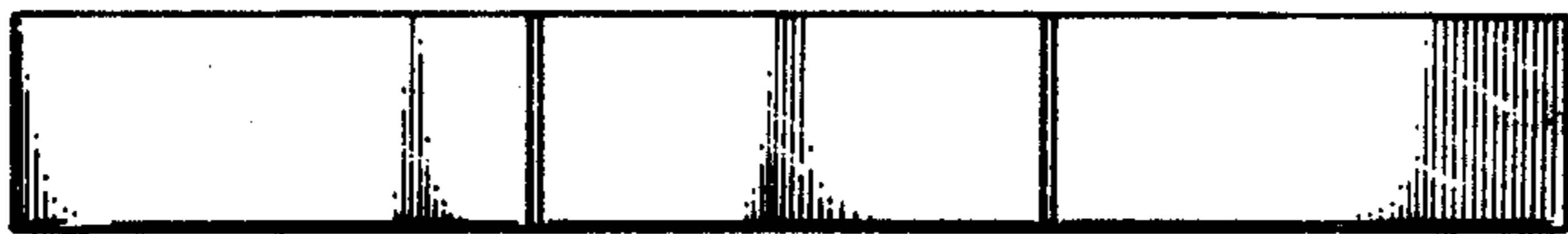


FIG.5

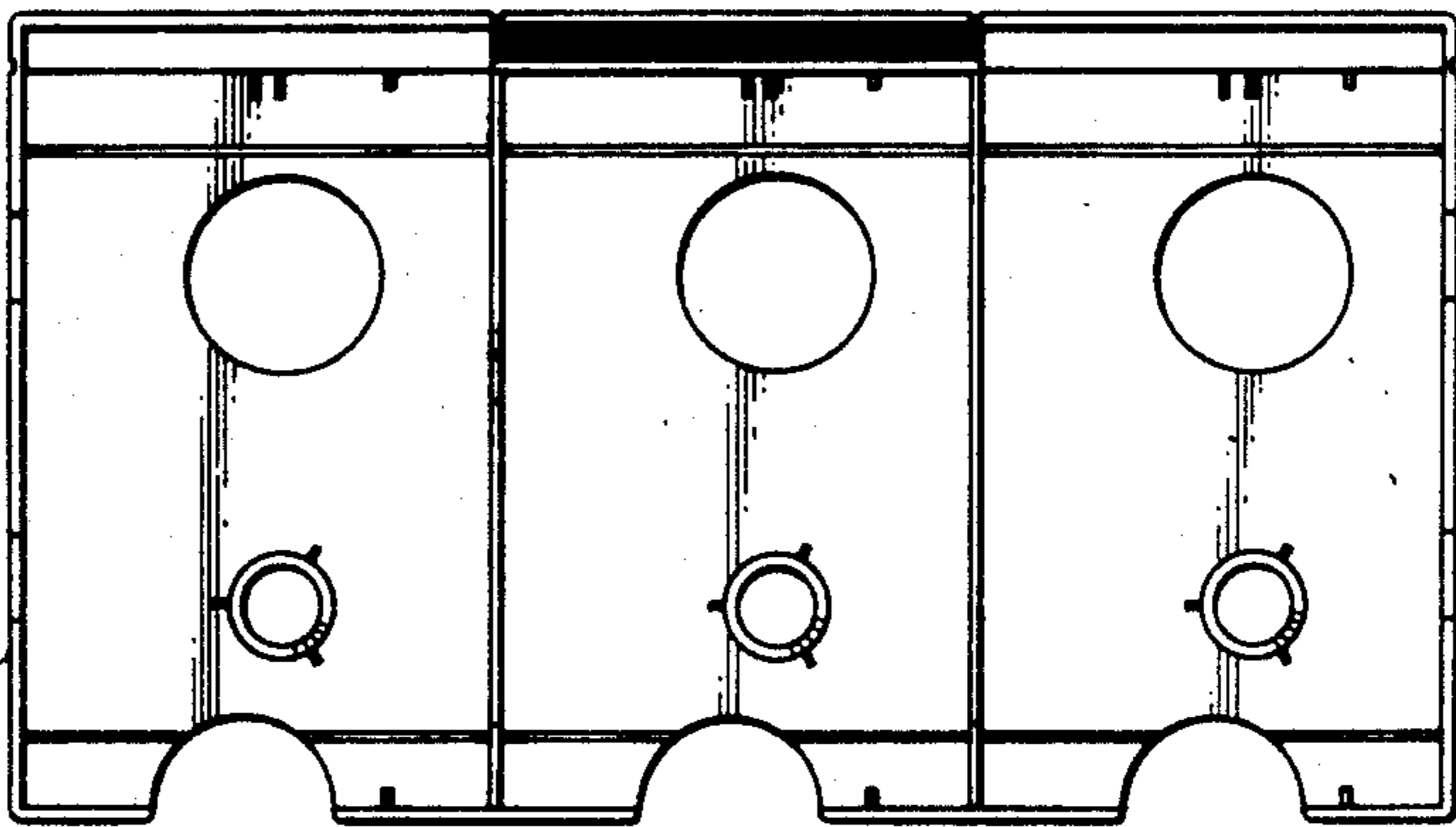


FIG.6

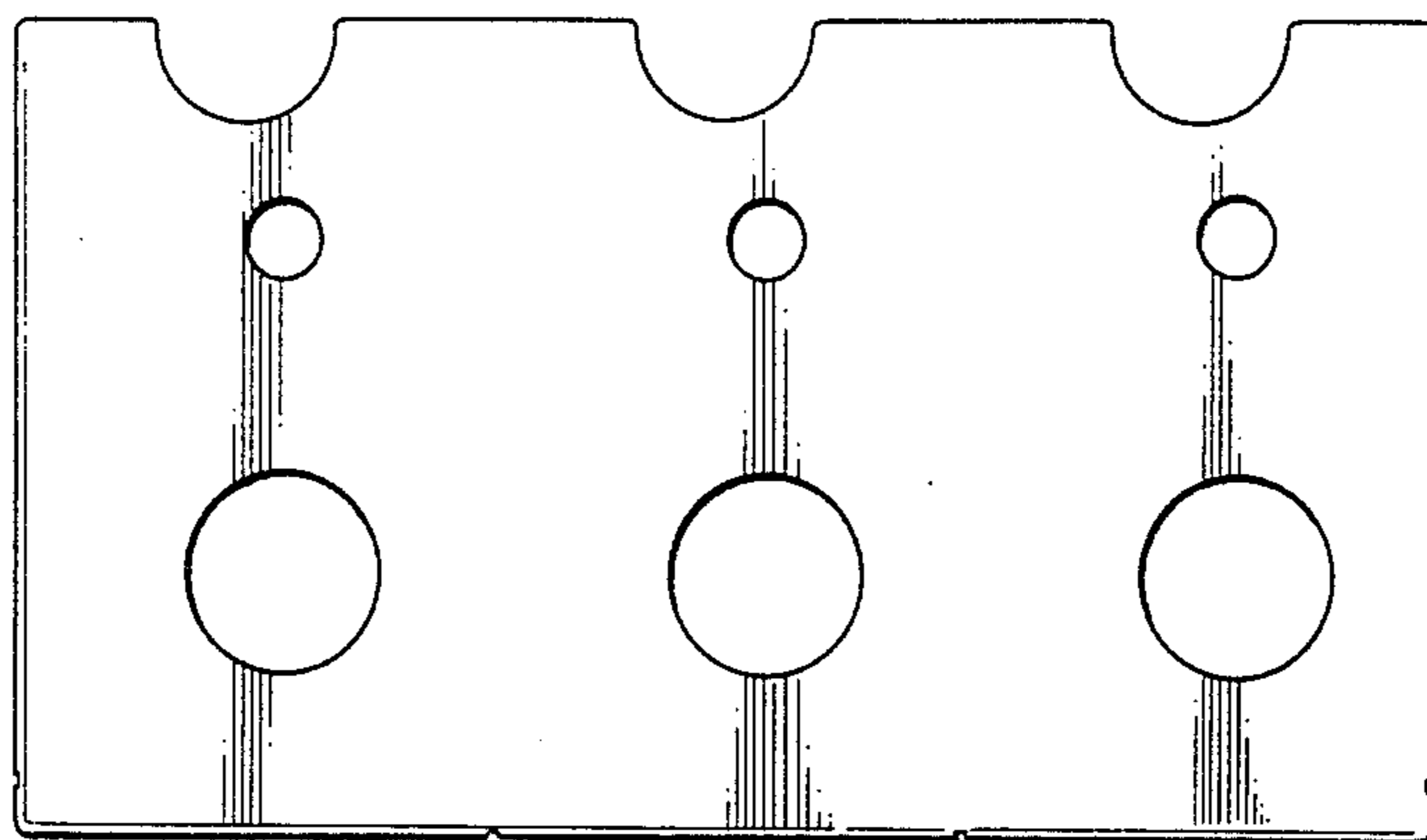


FIG.7

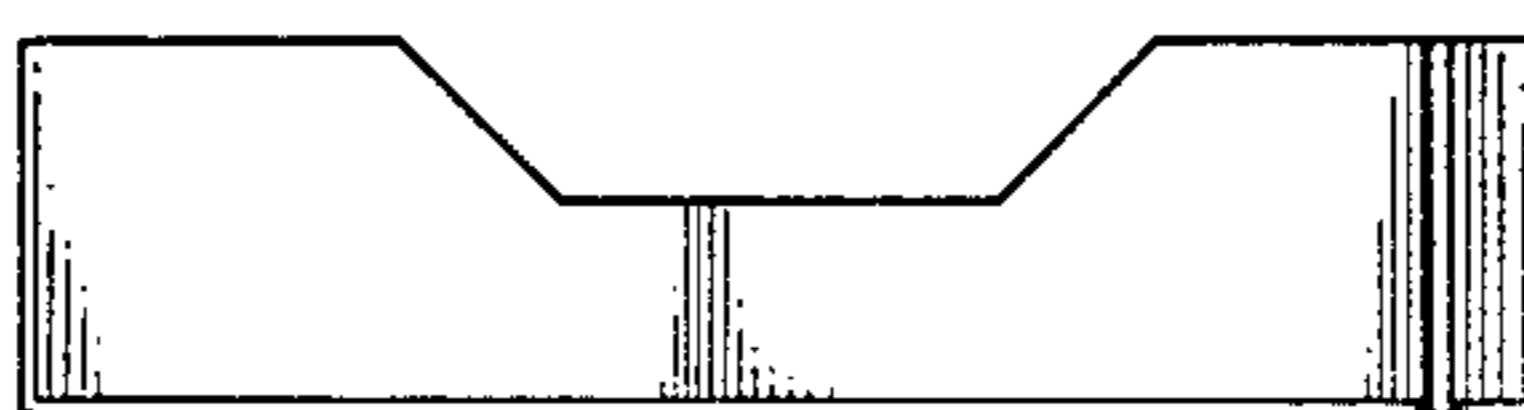


FIG.8

