

[54] CASE FOR A MAGNETIC TAPE CASSETTE OR THE LIKE

[75] Inventor: Katsutoshi Kikuchi, Tokyo, Japan

[73] Assignee: Sony Corporation, Tokyo, Japan

[**] Term: 14 Years

[21] Appl. No.: 678,153

[22] Filed: Dec. 4, 1984

[30] Foreign Application Priority Data

Jul. 2, 1984 [JP] Japan 59-27234

[52] U.S. Cl. D3/35; D9/423

[58] Field of Search D3/35; D9/420, 423, D9/424, 432; 206/387, 45.14, 45.23

[56] References Cited

U.S. PATENT DOCUMENTS

D. 273,721	5/1984	Ronzani	D3/35
D. 283,104	3/1986	Bigando	D3/35 X
D. 287,546	1/1987	Bernstein	D3/35
4,378,066	3/1983	Sato et al.	206/387
4,428,482	1/1984	Ogawa	206/387
4,512,470	4/1985	Sieben	206/387
4,580,184	4/1986	Abe	206/387 X

Primary Examiner—Robert C. Spangler
Attorney, Agent, or Firm—Lewis H. Eslinger; Alvin Sinderbrand

[57] CLAIM

The ornamental design for a case for a magnetic tape cassette or the like, substantially as shown and described.

DESCRIPTION

FIG. 1 is a top plan view of a case for a magnetic tape cassette or the like, showing my new design;

FIG. 2 is a bottom view;

FIG. 3 is a side elevational view;

FIG. 4 is a cross-sectional view taken through section lines A—A of FIG. 3;

FIG. 5 is a rear elevational view;

FIG. 6 is a right-side elevational view, the left-side being a mirror image;

FIG. 7 is a perspective view in the open position;

FIG. 8 is a top plan view in the open position;

FIG. 9 is a front elevational view in the open position; and

FIG. 10 is a right-side view in the open position, the left-side being a mirror image.

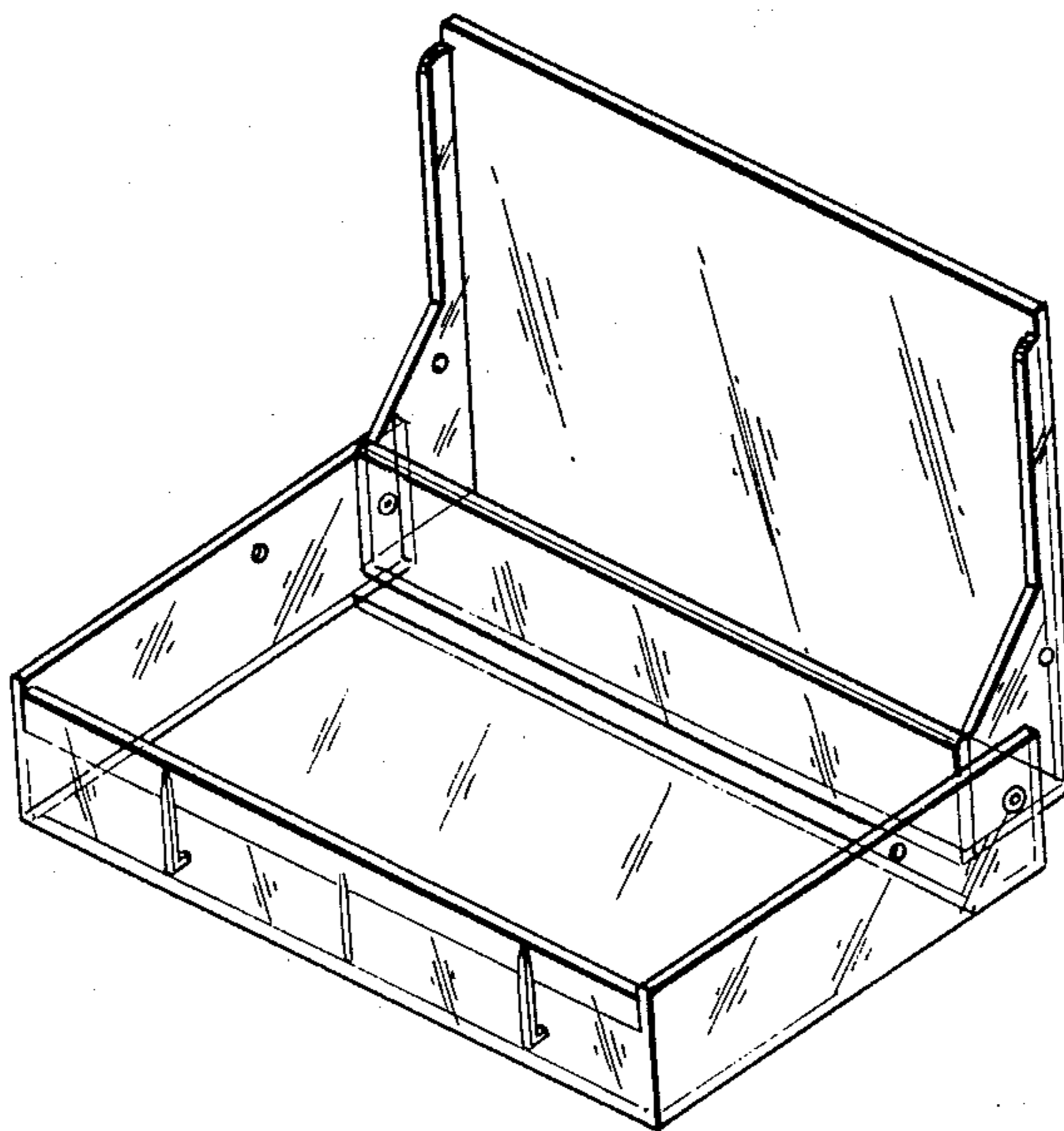


FIG. 5

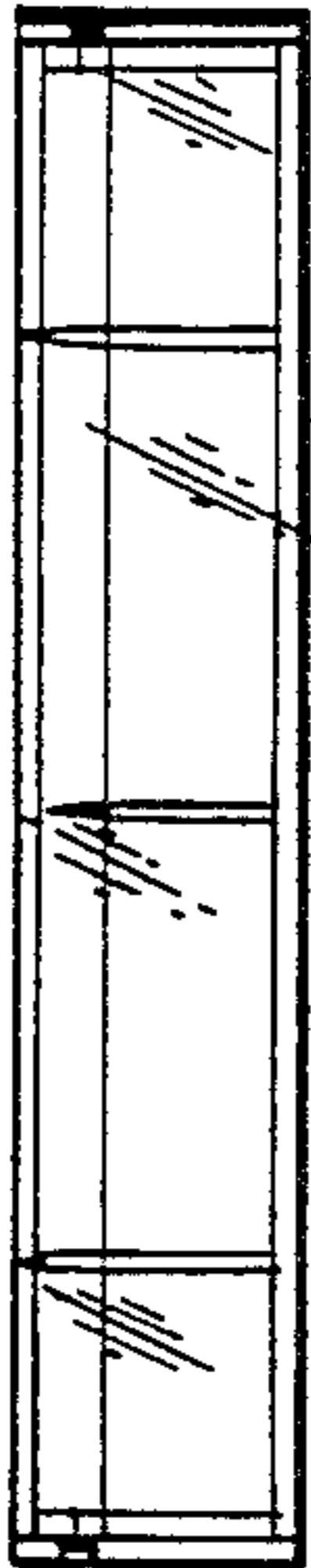


FIG. 6

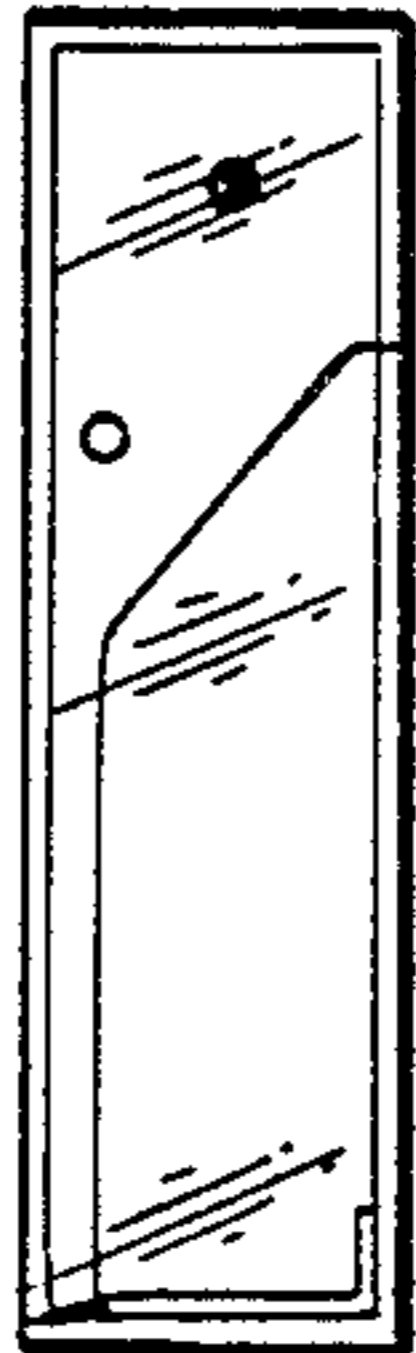


FIG. 4

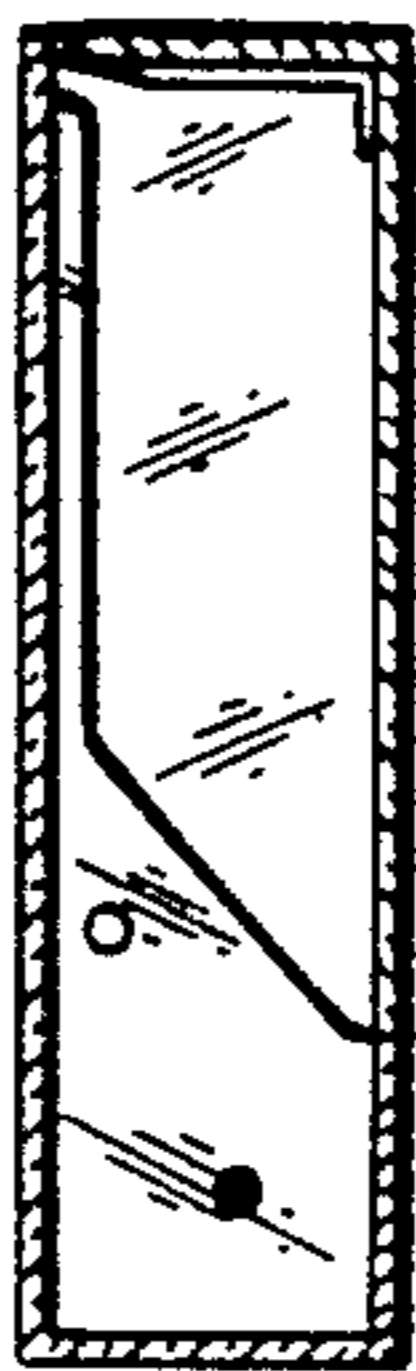
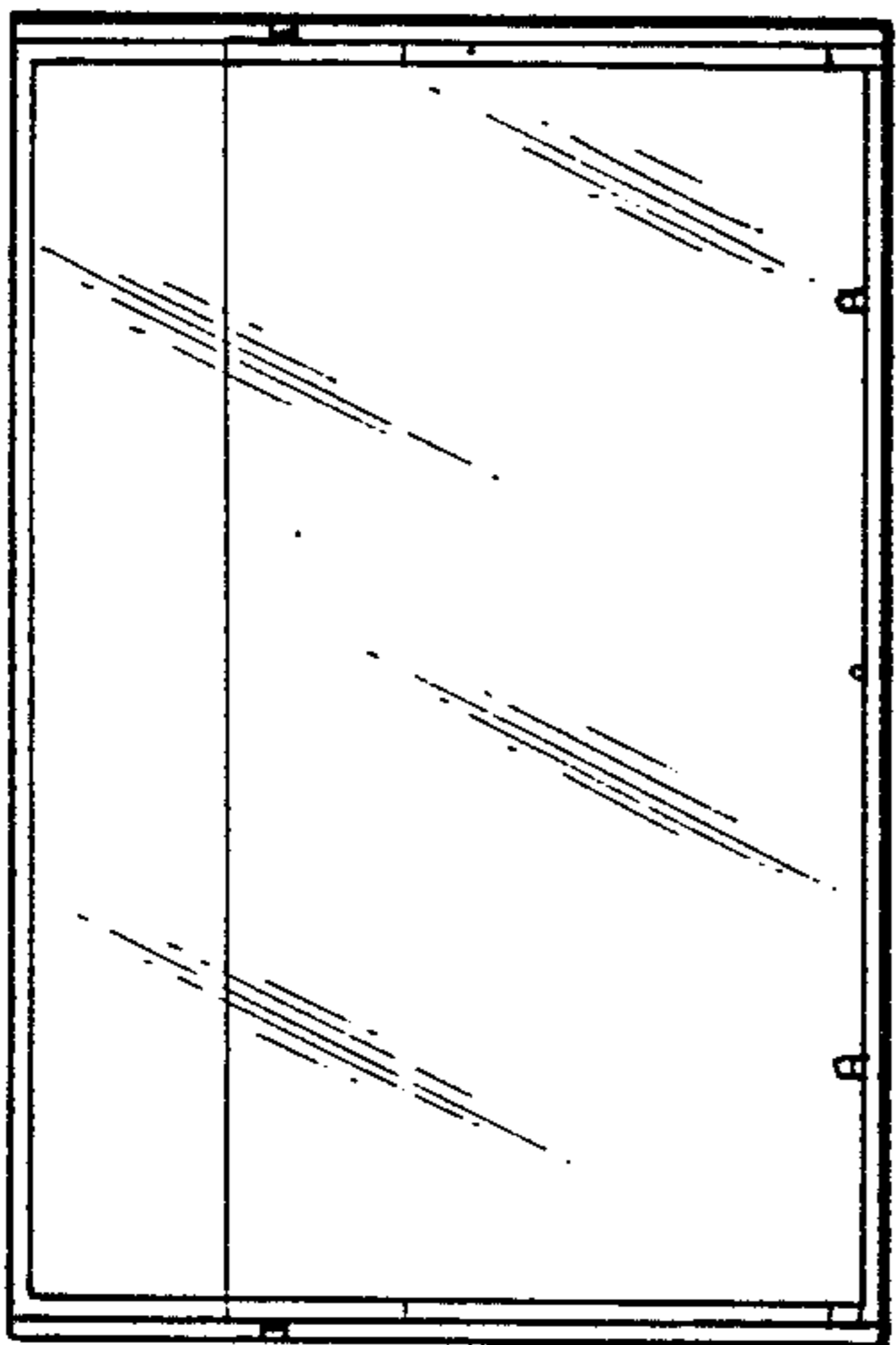


FIG. 1



A

A

FIG. 3

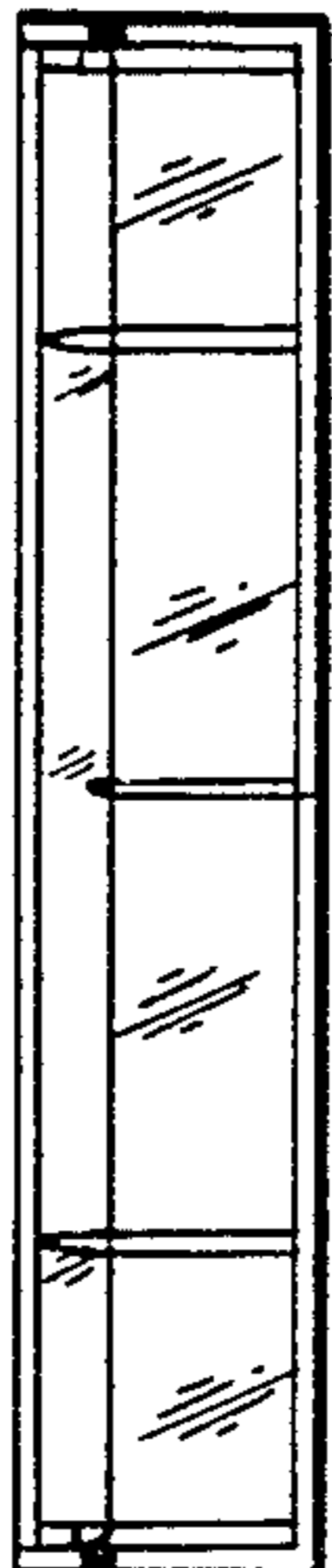
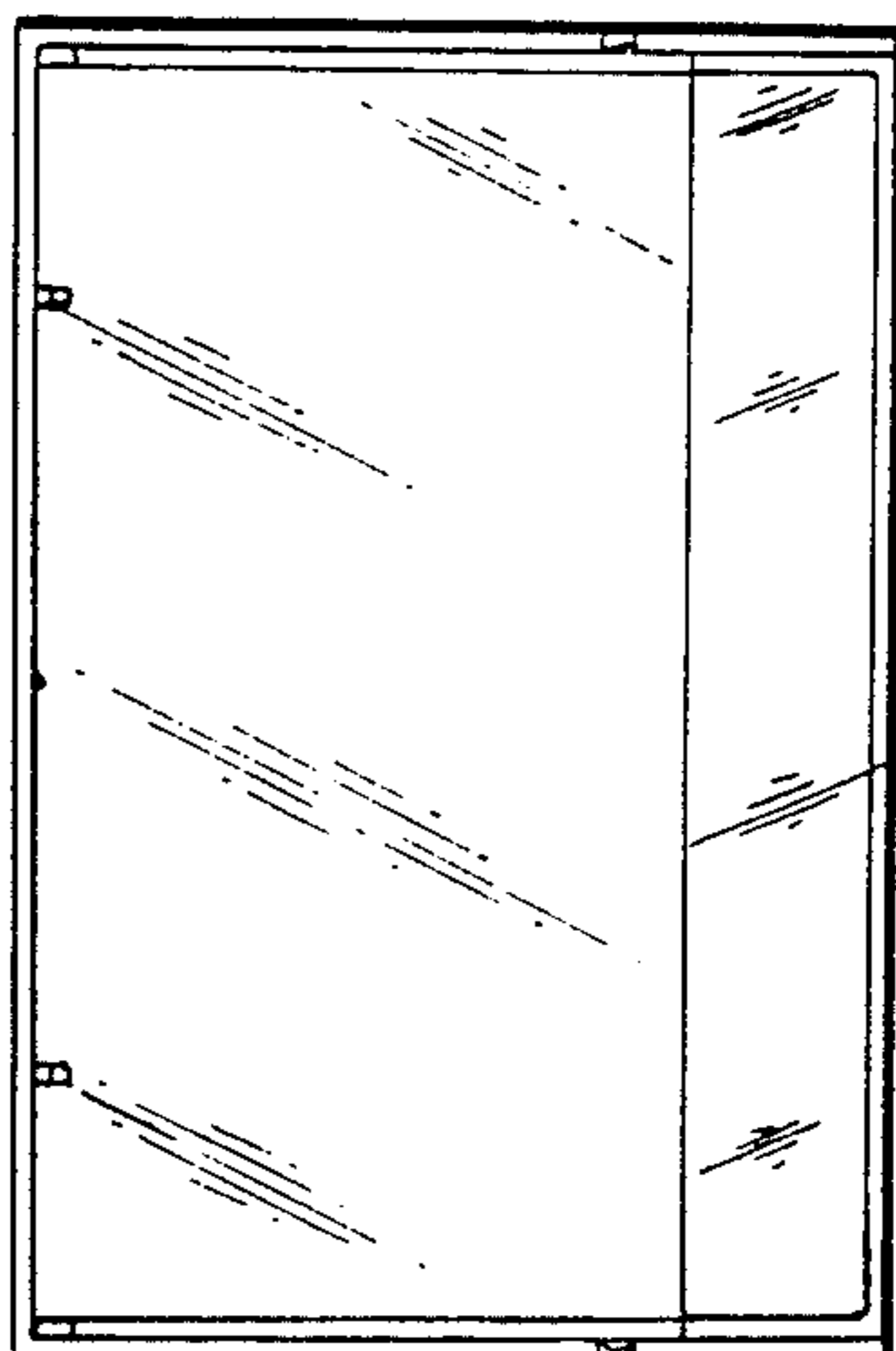


FIG. 2



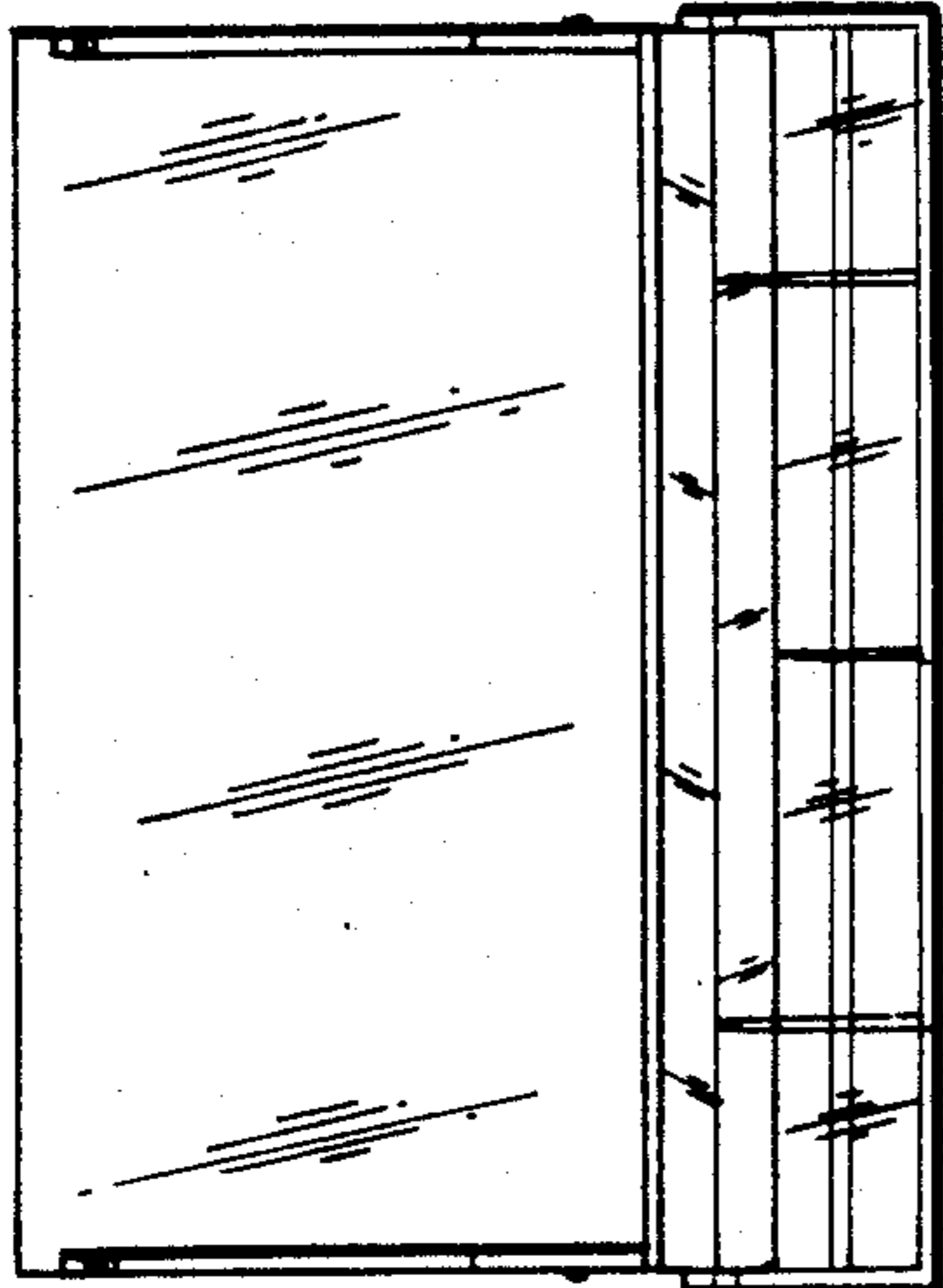


FIG. 9

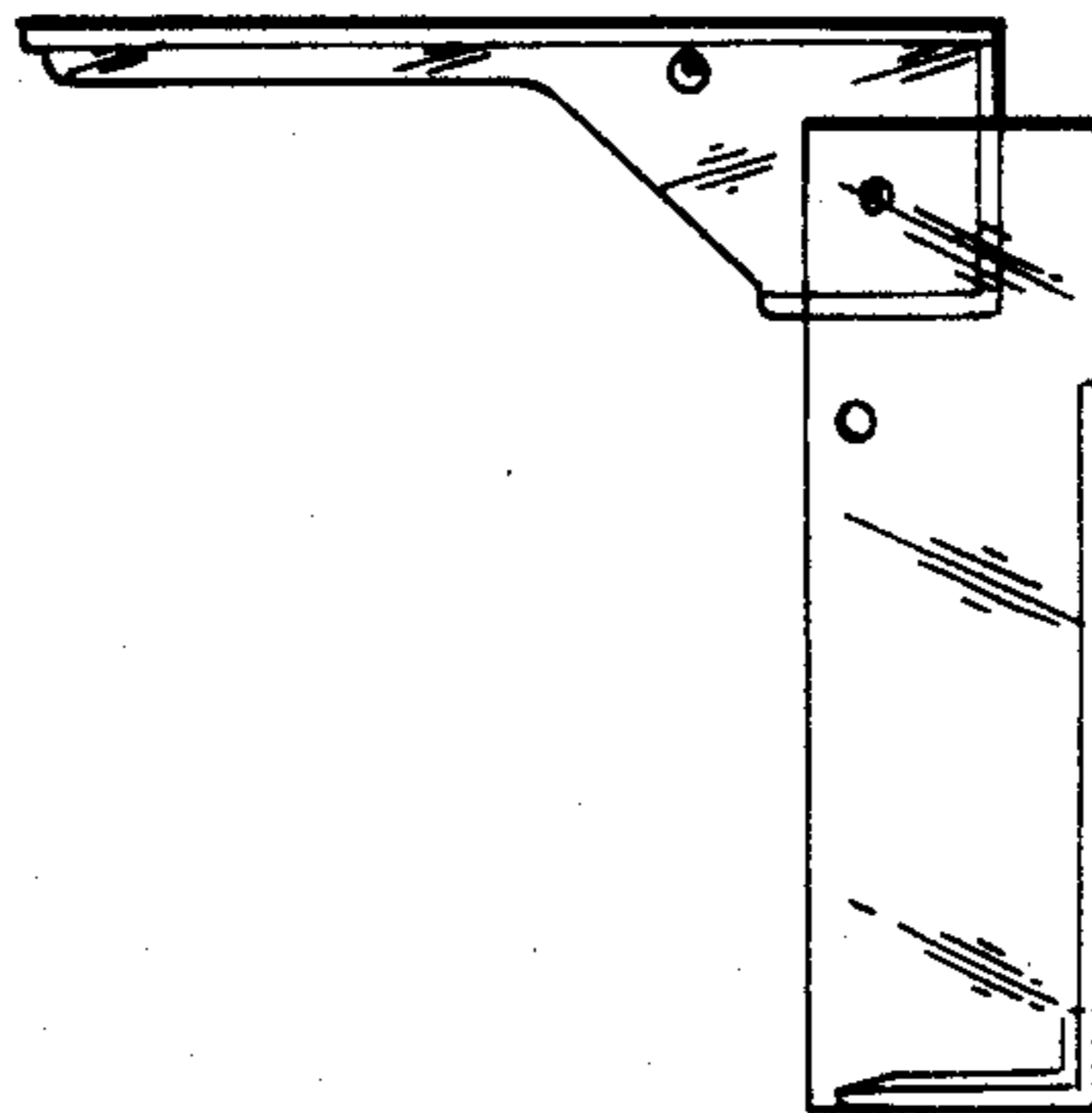


FIG. 10

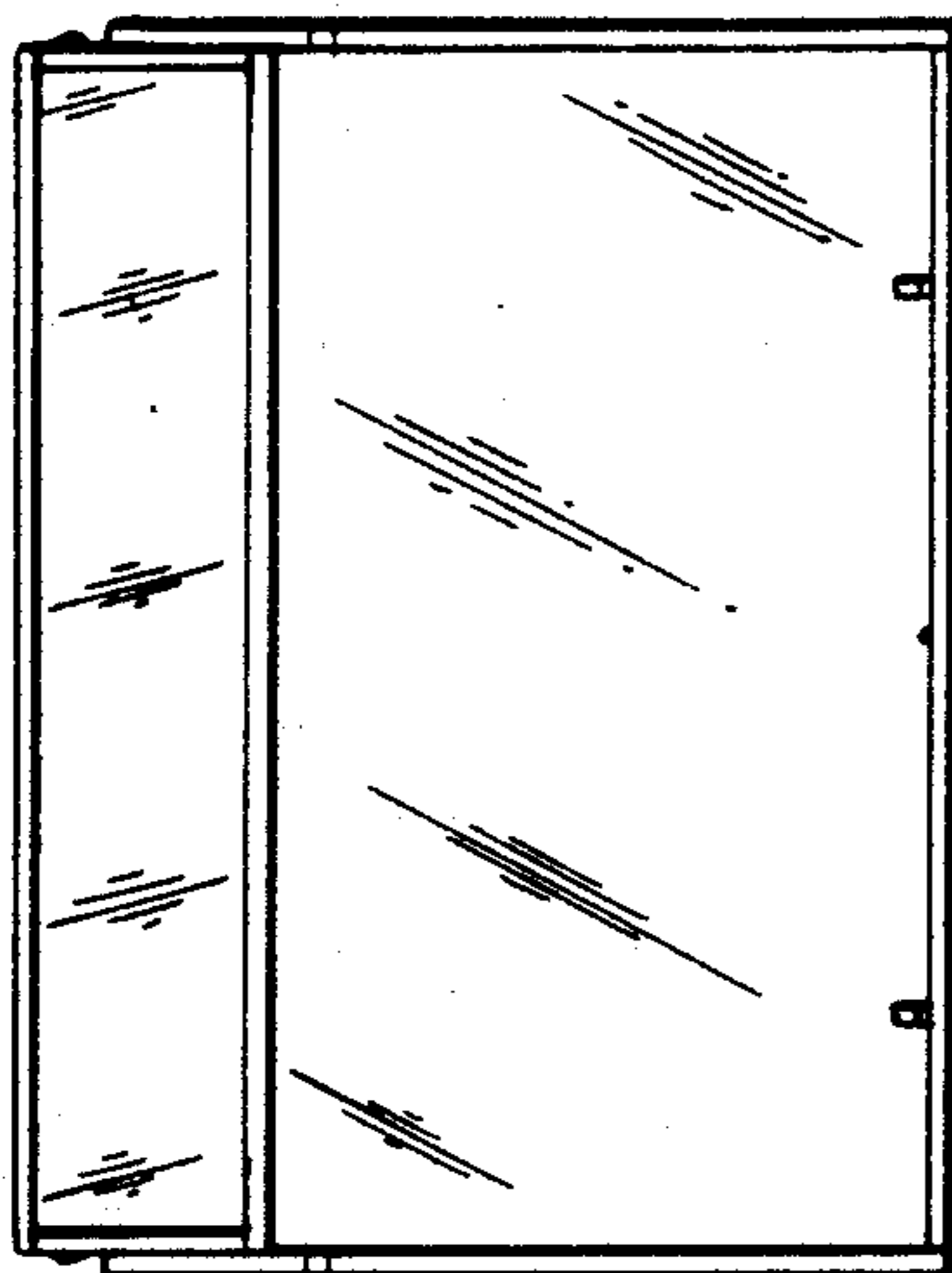


FIG. 8

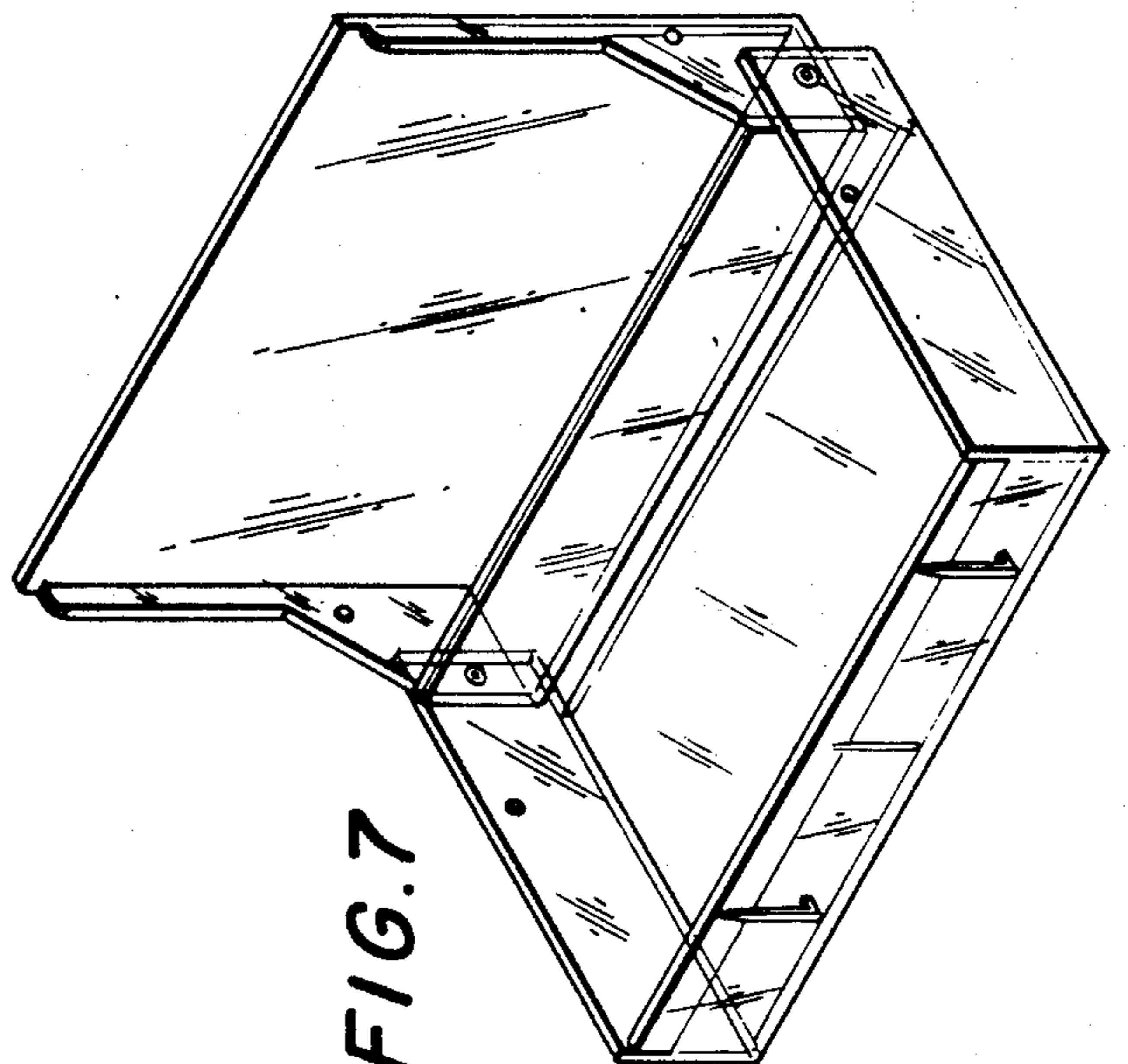


FIG. 7