

[54] STORAGE CASE FOR FLAT ARTICLES

[75] Inventors: Craig D. Drake; Craig W. Crist, both of Muscatine, Iowa

[73] Assignee: Ring King Visibles, Inc., Muscatine, Iowa

[\*\*] Term: 14 Years

[21] Appl. No.: 637,559

[22] Filed: Aug. 3, 1984

[52] U.S. Cl. .... D3/35; D3/78; D19/76

[58] Field of Search ..... D3/30.1, 33, 35, 74, D3/78; 206/309, 45.23, 45.18, 425, 444; 220/331

[56] References Cited

U.S. PATENT DOCUMENTS

D. 273,721	5/1984	Ronzani .....	D3/35
D. 280,041	8/1985	Long et al. ....	D3/35
D. 280,952	10/1985	Kirchner .....	D3/35
3,272,325	9/1966	Schoenmakers .	
3,754,639	8/1973	Gellert .	
4,356,918	11/1982	Kahle et al. ....	206/444
4,479,577	10/1984	Eichner et al. ....	206/444
4,496,050	1/1985	Kirchner et al. ....	206/45.18

FOREIGN PATENT DOCUMENTS

1034848 6/1966 United Kingdom .

OTHER PUBLICATIONS

Advertising for "Flip 'N' File/15" by Innovative Concepts, Inc., copyright 1983.

Primary Examiner—George P. Word  
Attorney, Agent, or Firm—Neuman, Williams, Anderson & Olson

[57] CLAIM

The ornamental design for a storage case for flat articles, substantially as shown and described.

DESCRIPTION

FIG. 1 is a perspective view of a storage case for flat articles showing our new design;  
FIG. 2 is a perspective view thereof in the open position;  
FIG. 3 is a top plan view thereof;  
FIG. 4 is a right side elevational view thereof;  
FIG. 5 is a front elevational view thereof;  
FIG. 6 is a rear elevational view thereof; and  
FIG. 7 is a bottom perspective view thereof in the closed position.

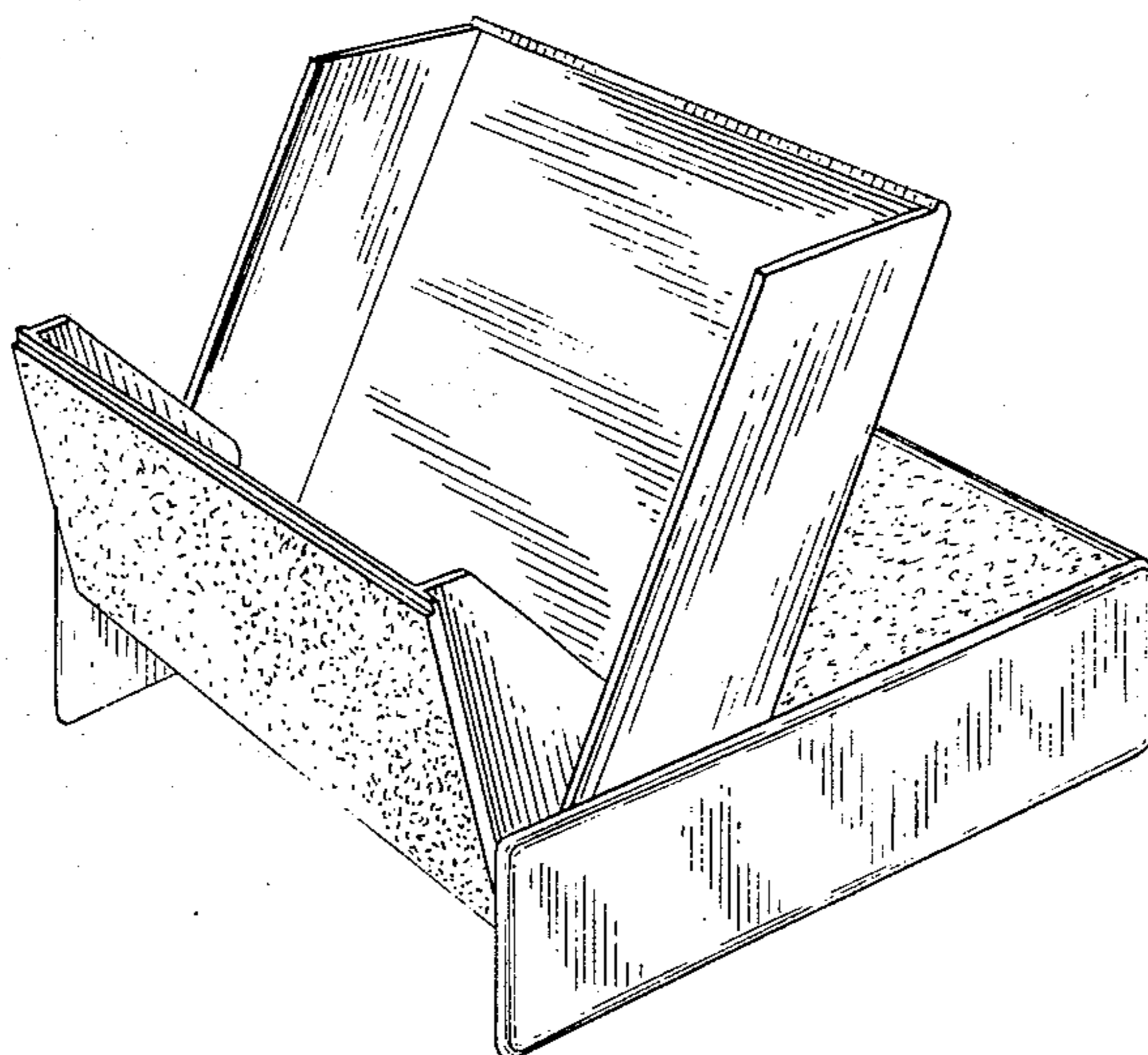


FIG. 1

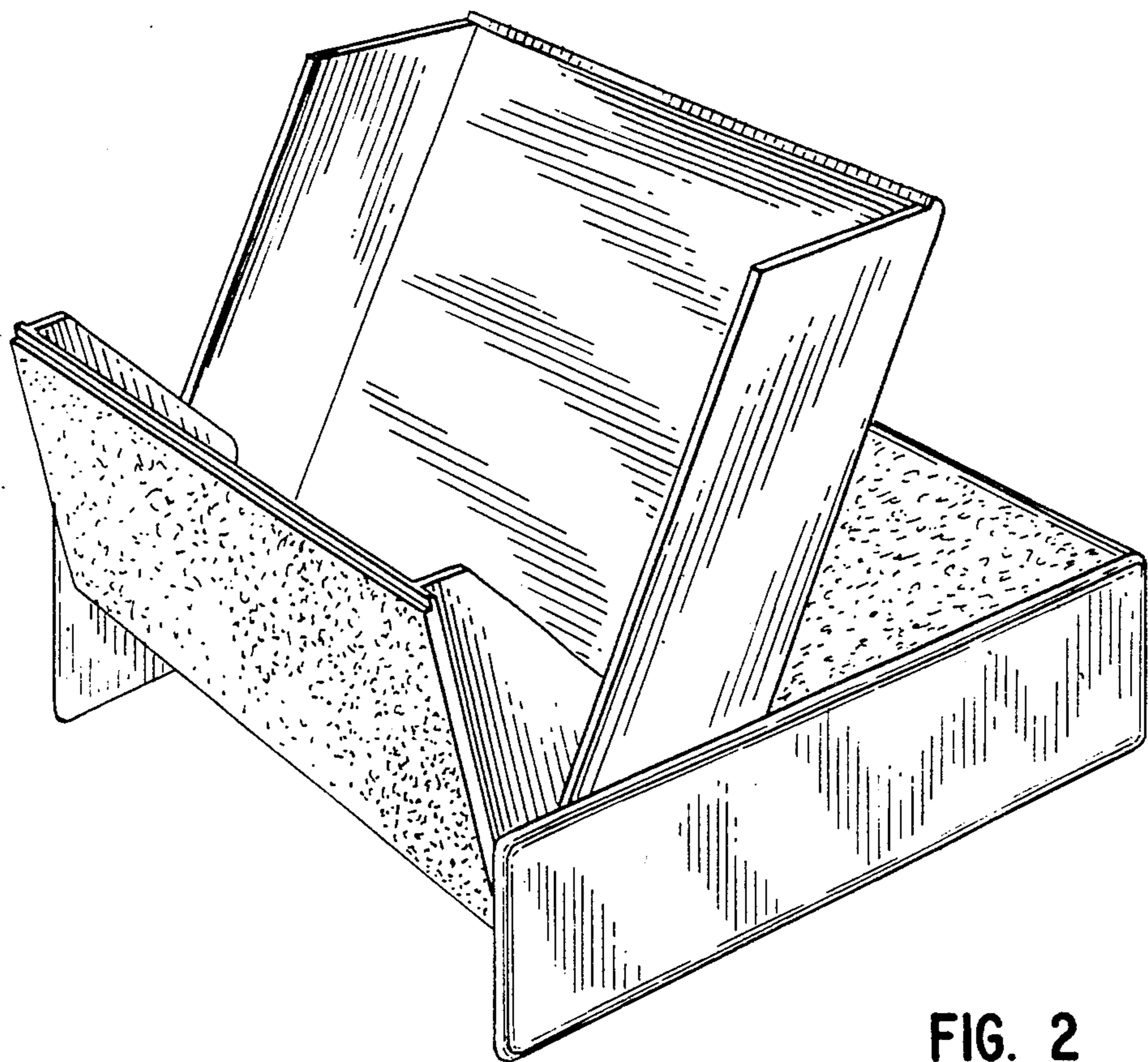
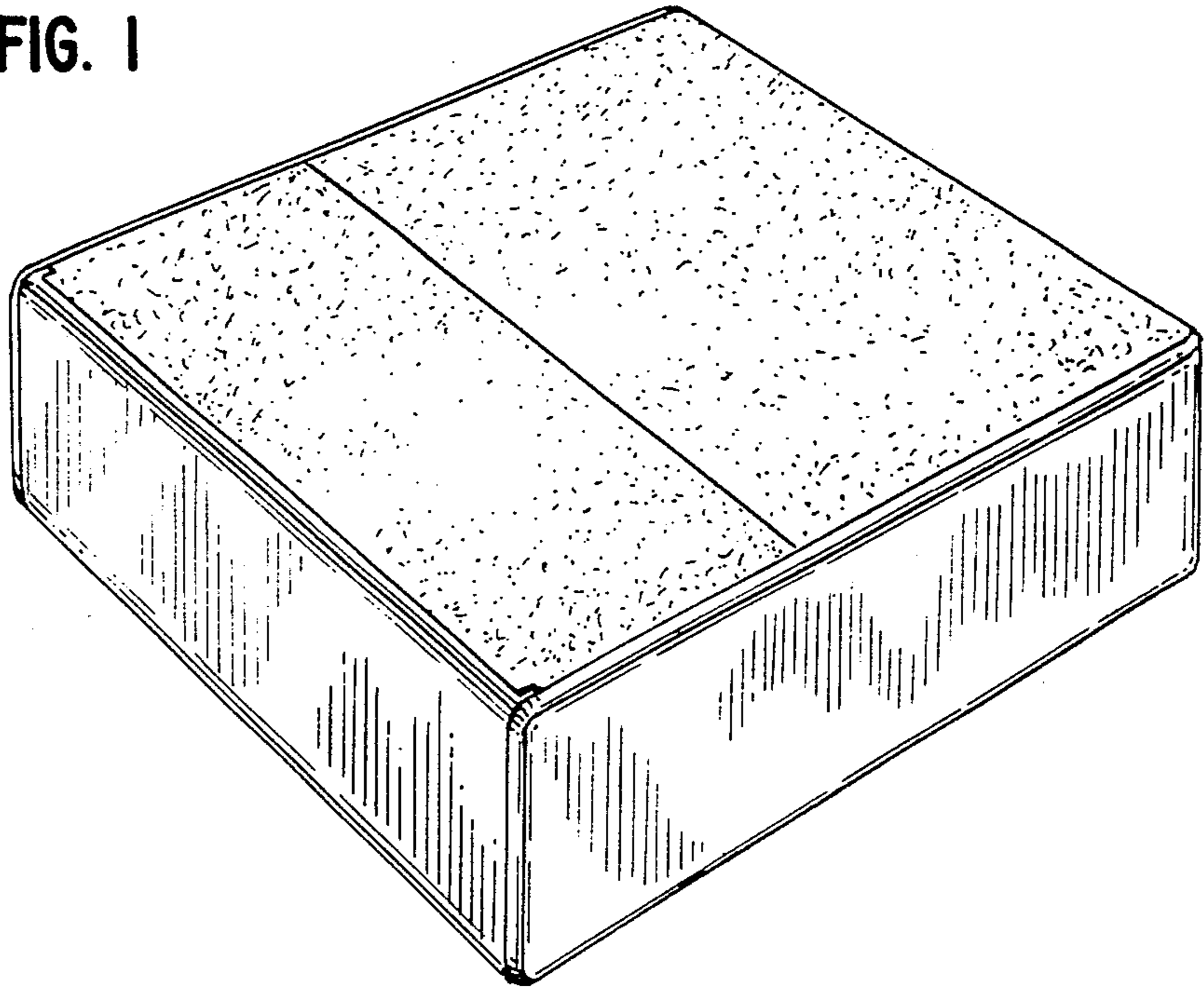


FIG. 2

FIG. 3

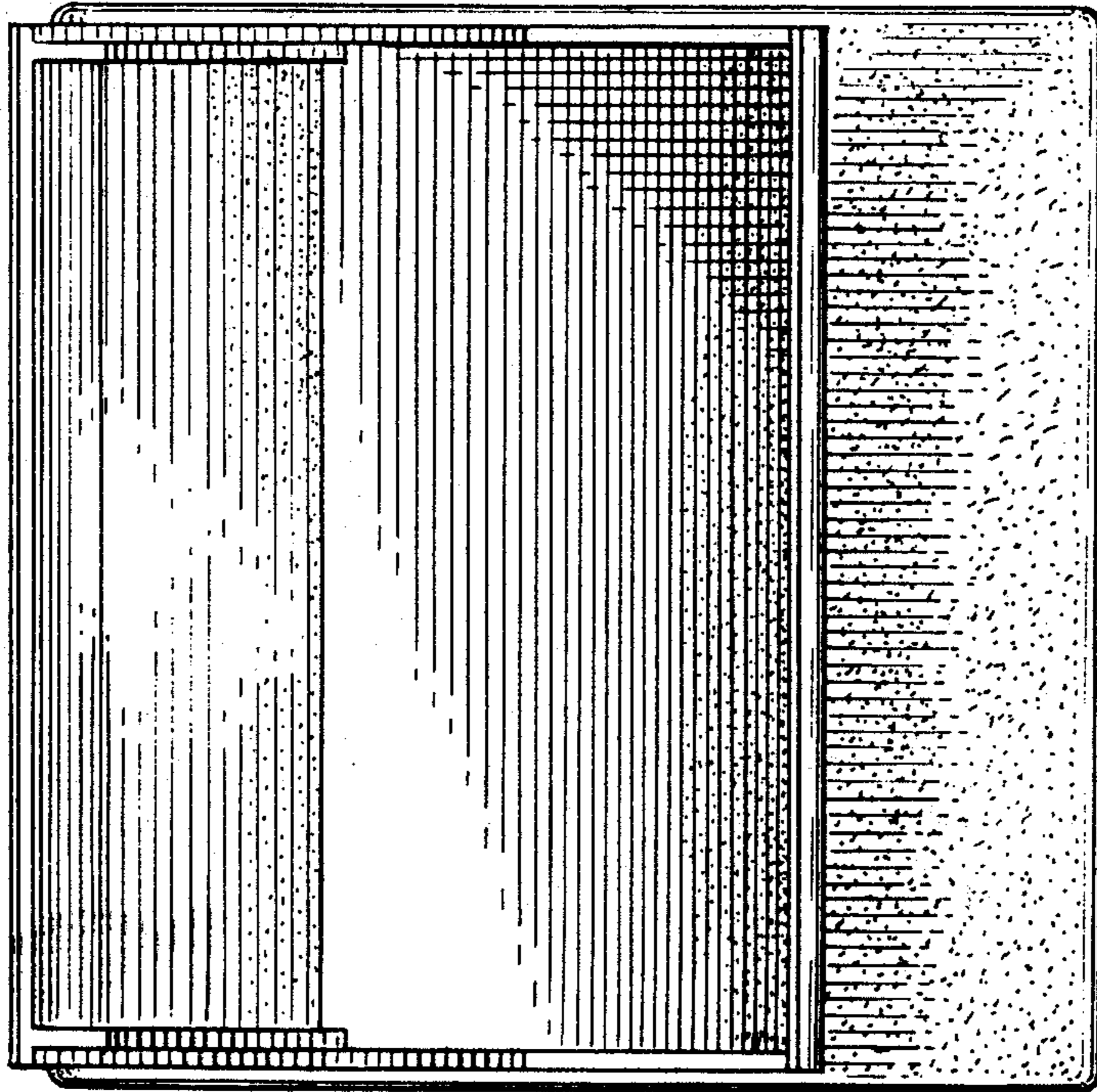


FIG. 4

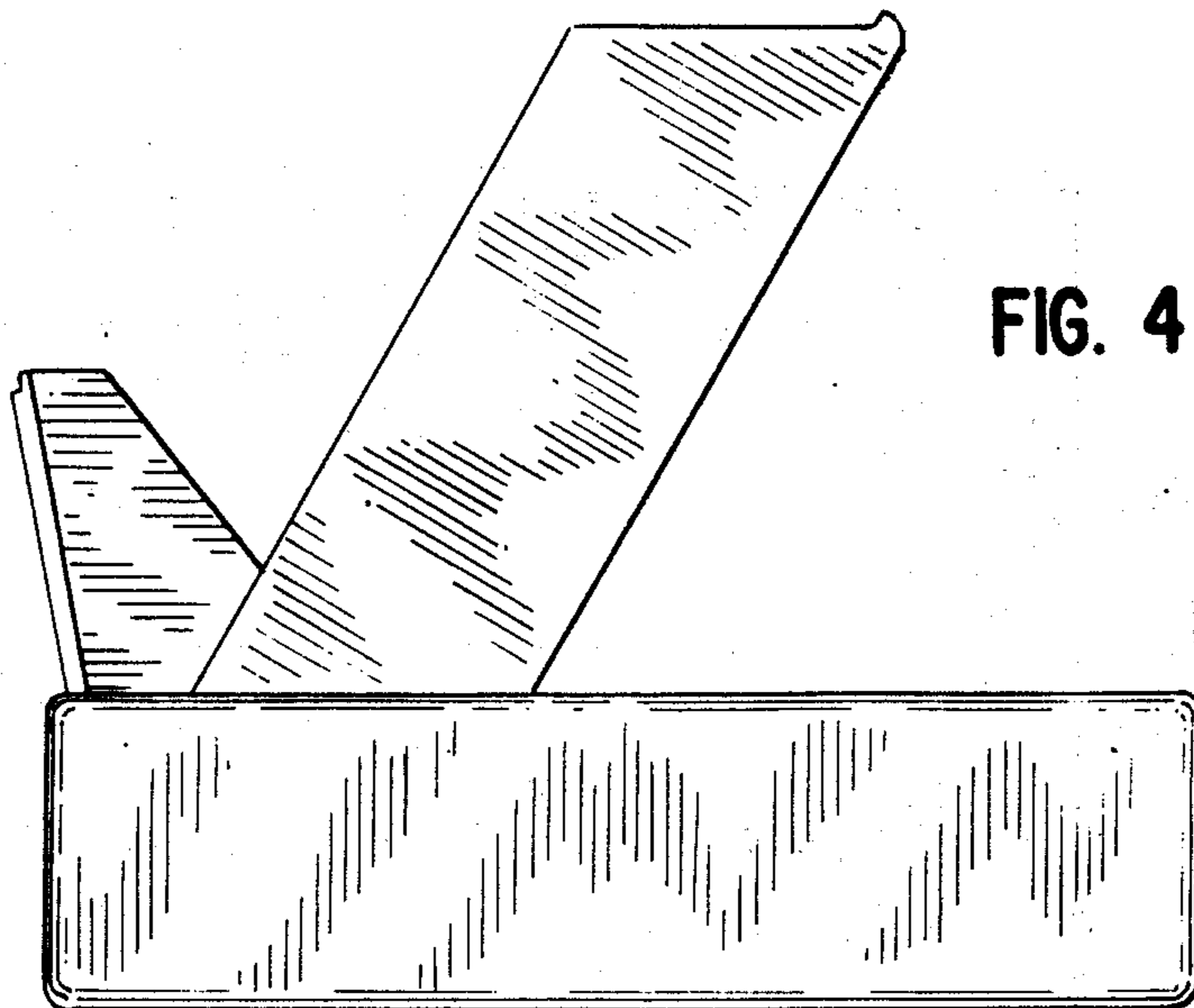


FIG. 5

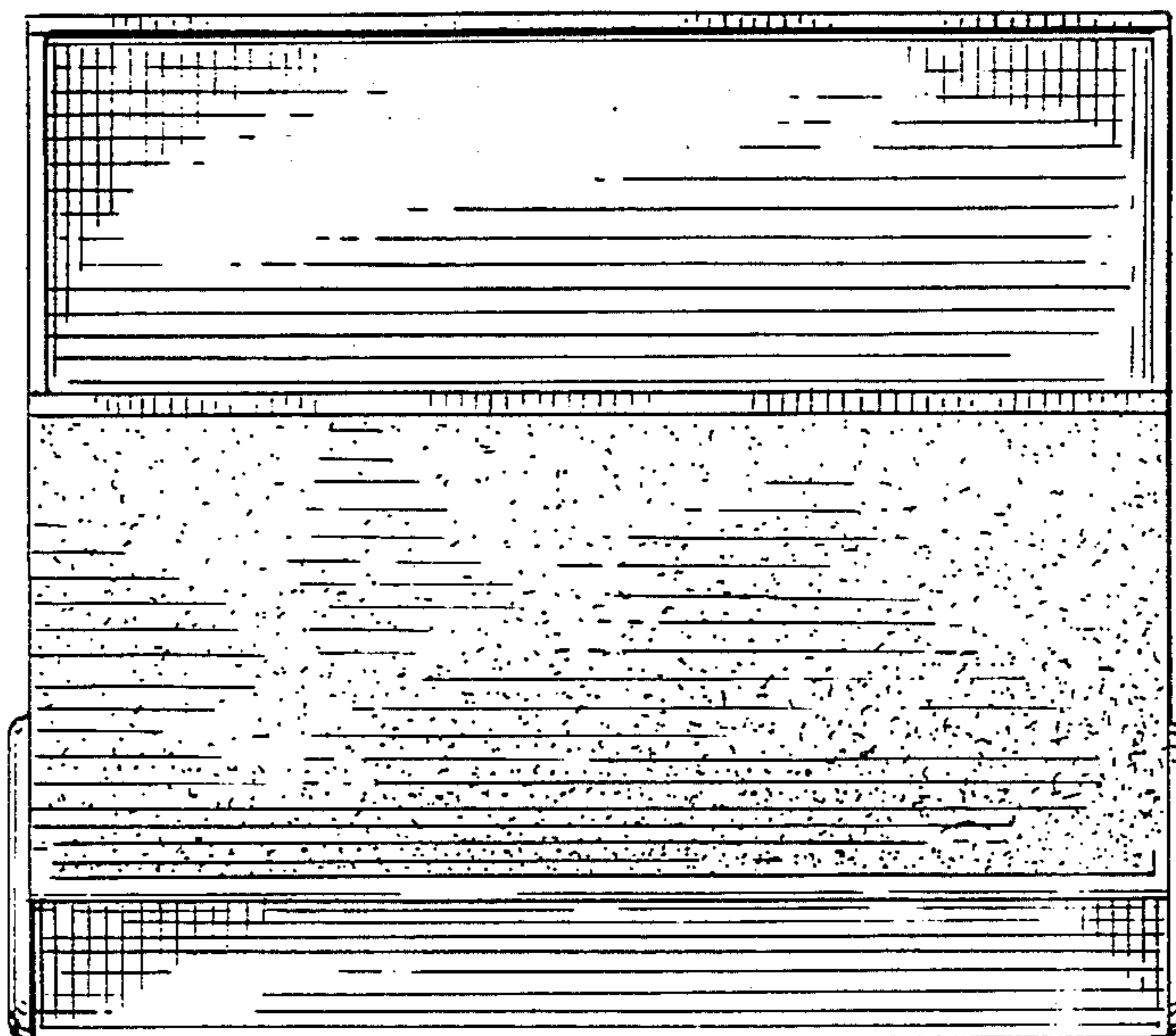
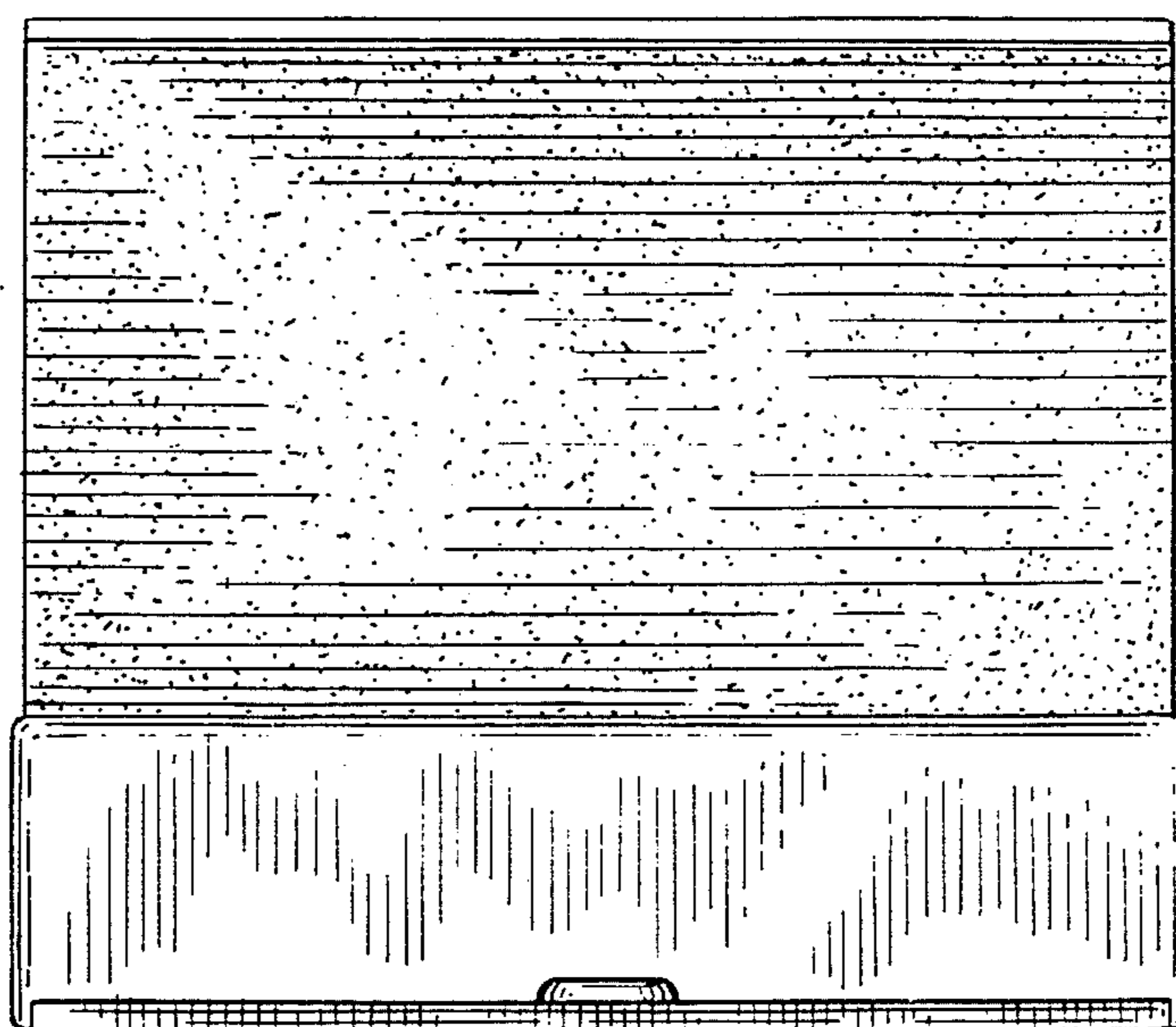


FIG. 6



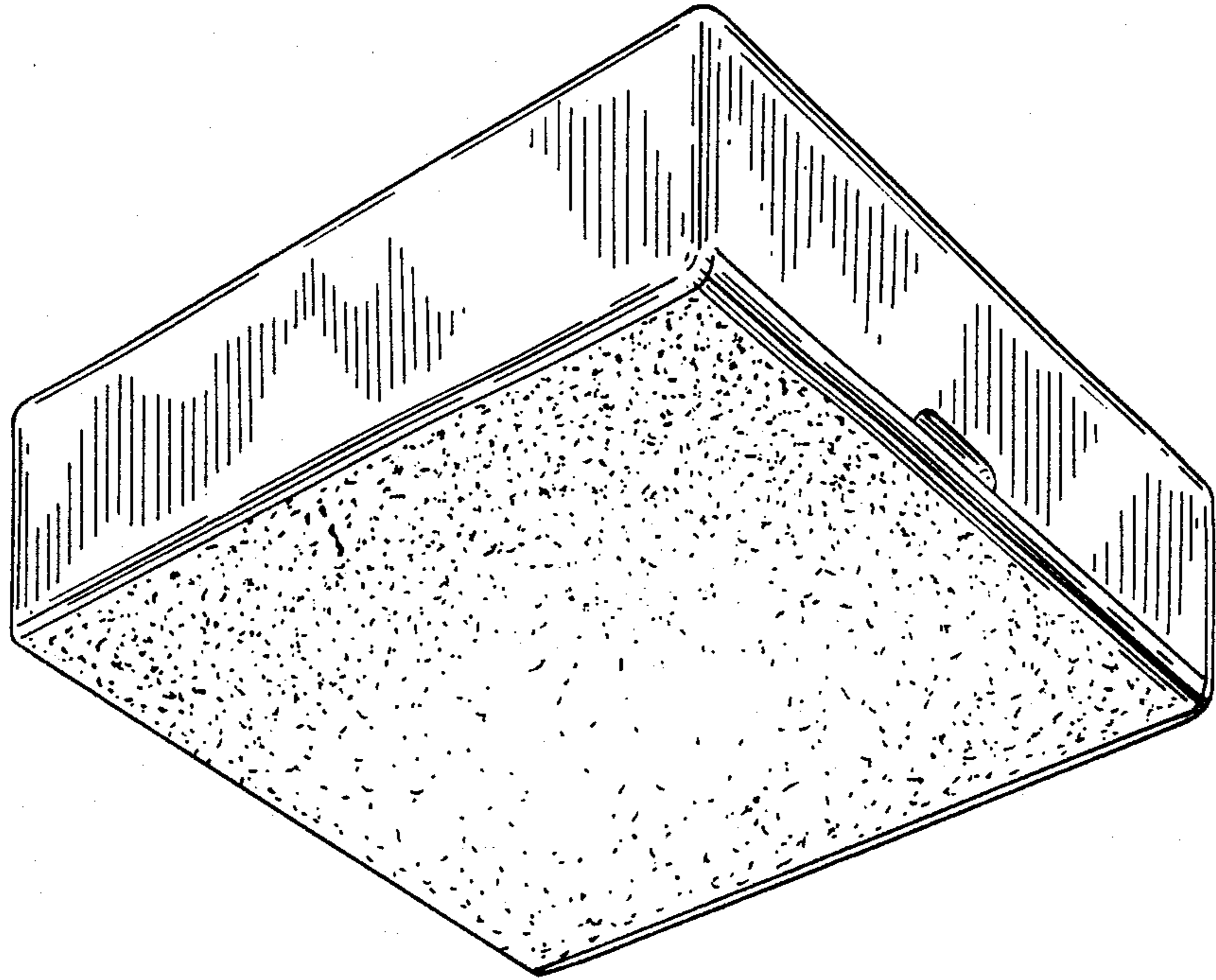


FIG. 7