

[54] CITRUS CRATE

D. 261,193 10/1981 Cornou ..... D34/45

[75] Inventor: Kornel Lates, Thornhill, Canada

Primary Examiner—Robert C. Spangler  
Attorney, Agent, or Firm—Blakely, Sokoloff, Taylor & Zafman

[73] Assignee: Scepter Manufacturing Co. Ltd.,  
Toronto, Canada

[57] CLAIM

[\*\*] Term: 14 Years

The ornamental design for a citrus crate, as shown and described.

[21] Appl. No.: 678,250

DESCRIPTION

[22] Filed: Dec. 5, 1984

FIG. 1 is a perspective view of a citrus crate showing my new design;

[52] U.S. Cl. .... D34/46; D34/40

FIG. 2 is a top plan view thereof;

[58] Field of Search ..... D34/40, 43, 44, 45,  
D34/46; D9/456, 341, 424; 206/203

FIG. 3 is a side elevational view thereof;

FIG. 4 is an end elevational view thereof;

[56] References Cited

U.S. PATENT DOCUMENTS

D. 236,804 9/1975 Stauble ..... D34/43

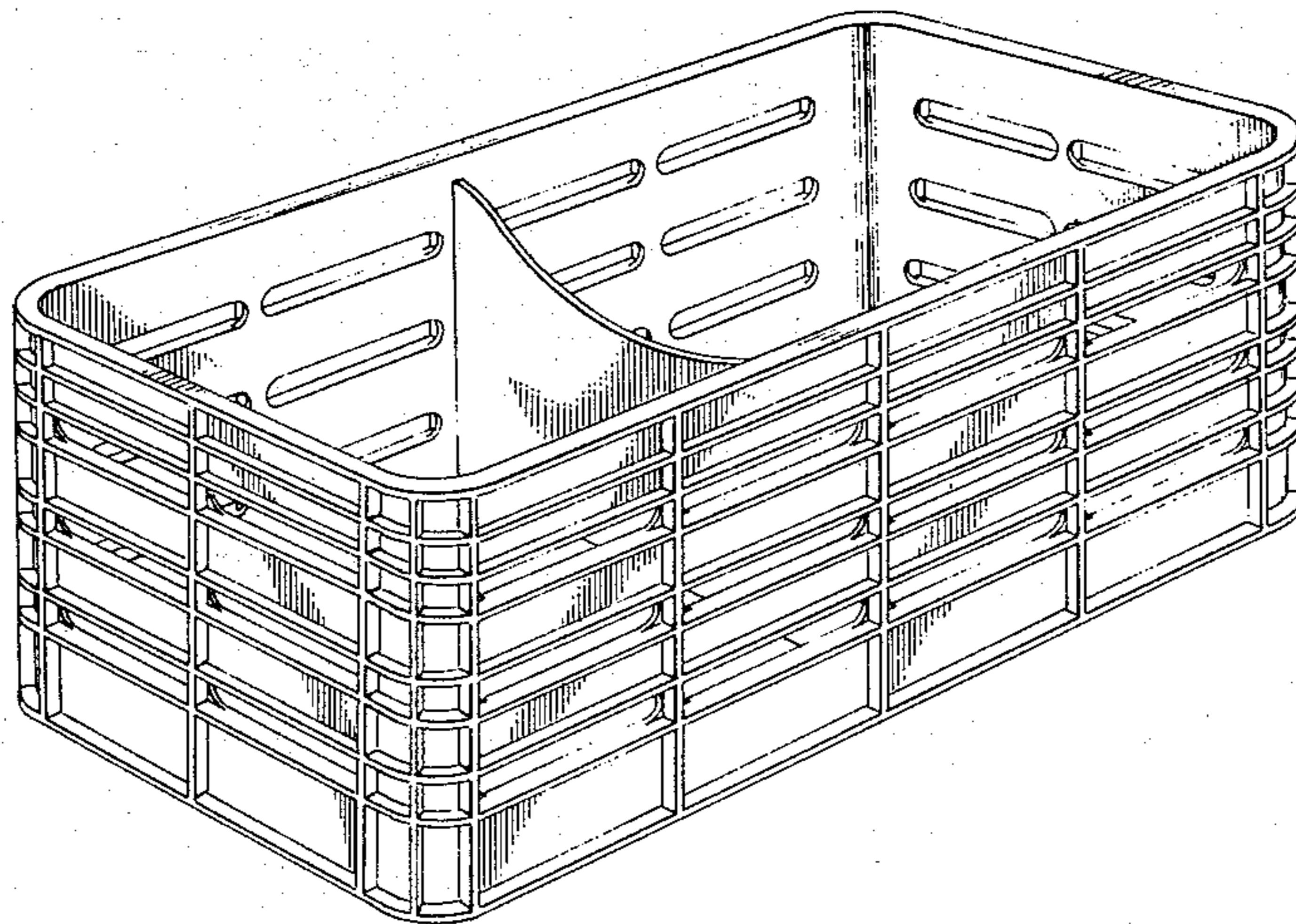
D. 251,951 5/1979 Florian ..... D9/347

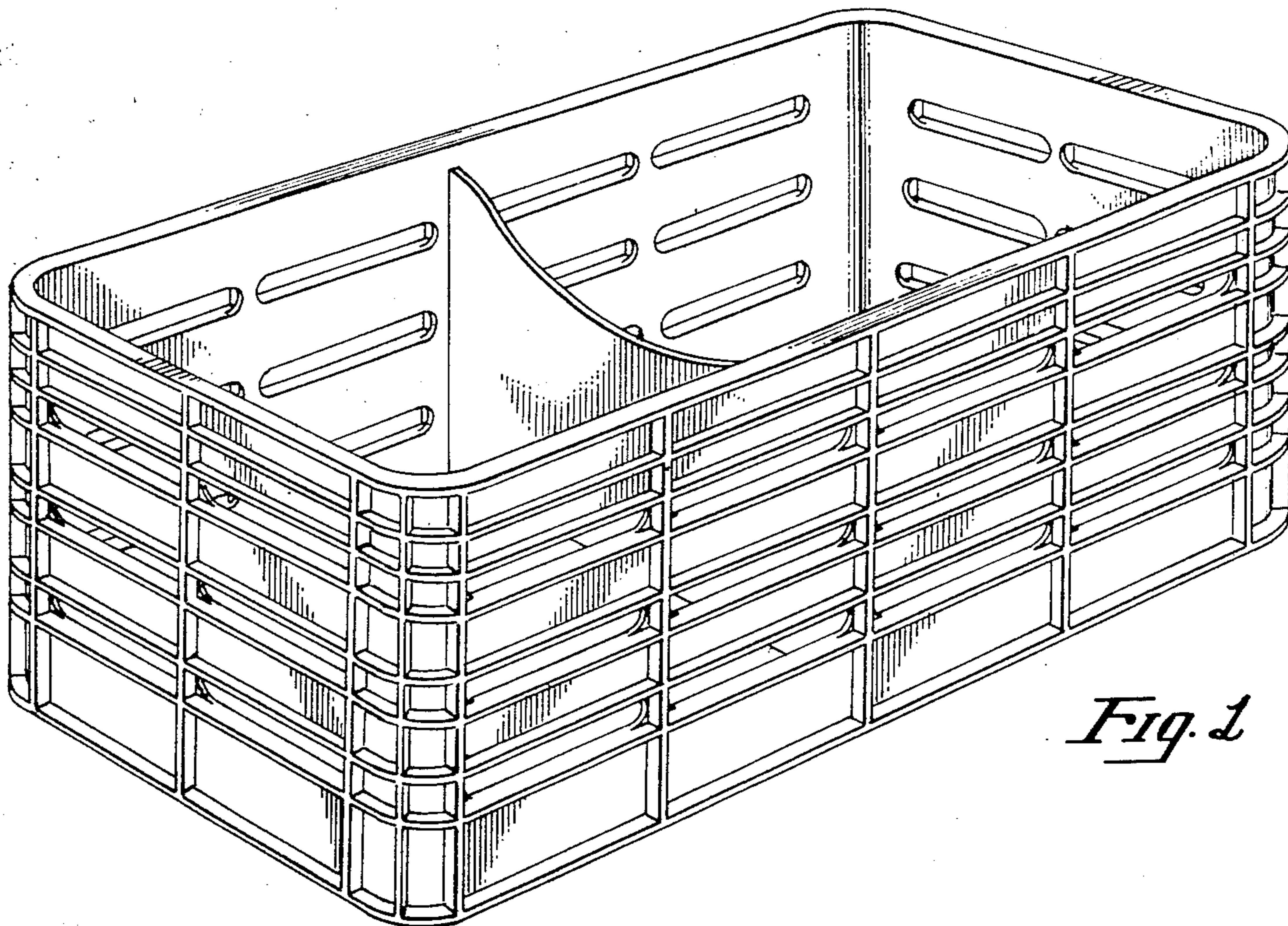
D. 260,602 9/1981 O'Donnal ..... D34/45

FIG. 5 is a view showing the end opposite that seen in FIG. 4;

FIG. 6 is a view showing the side opposite that seen in FIG. 3; and

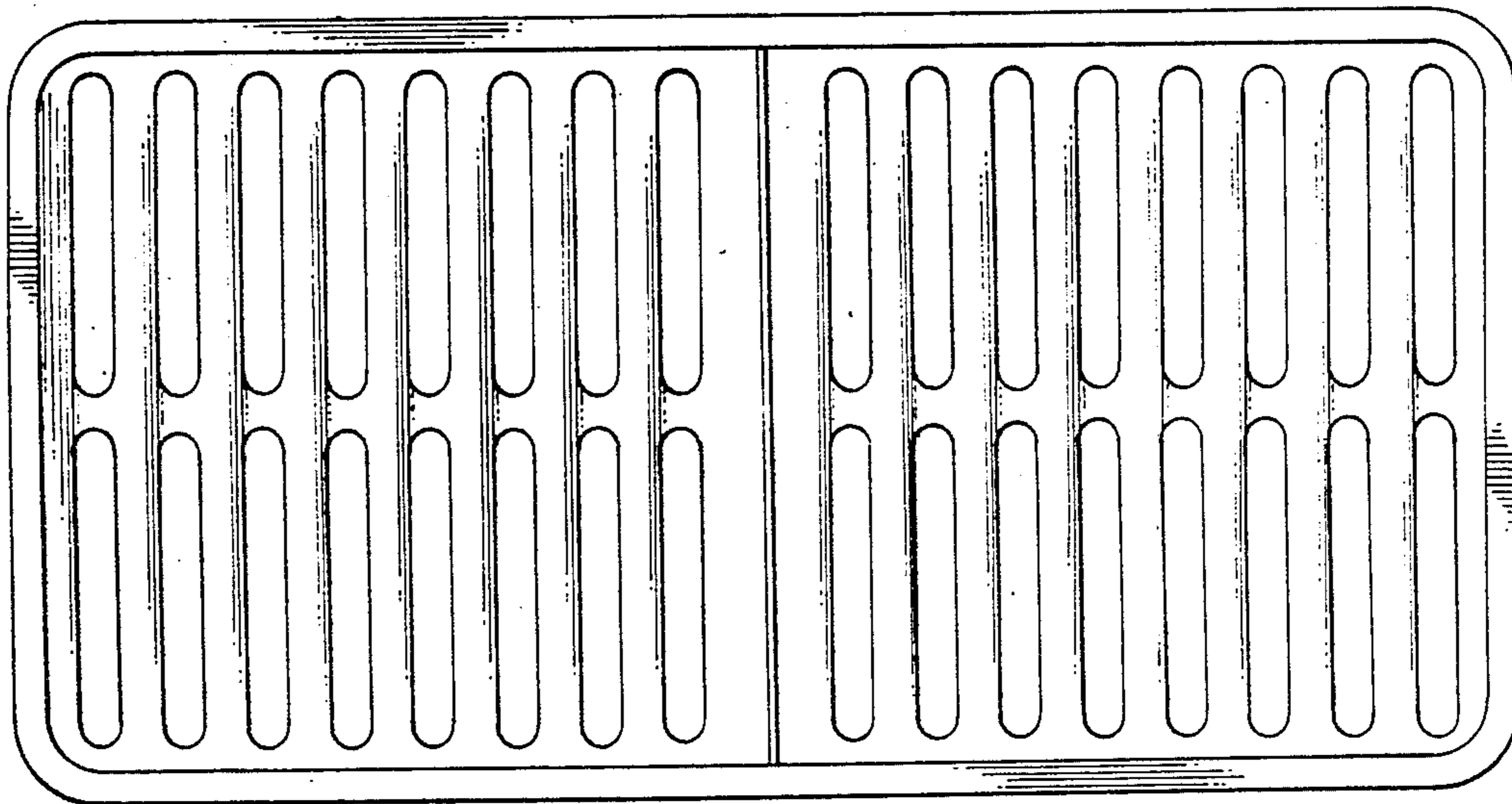
FIG. 7 is a bottom plan view thereof.





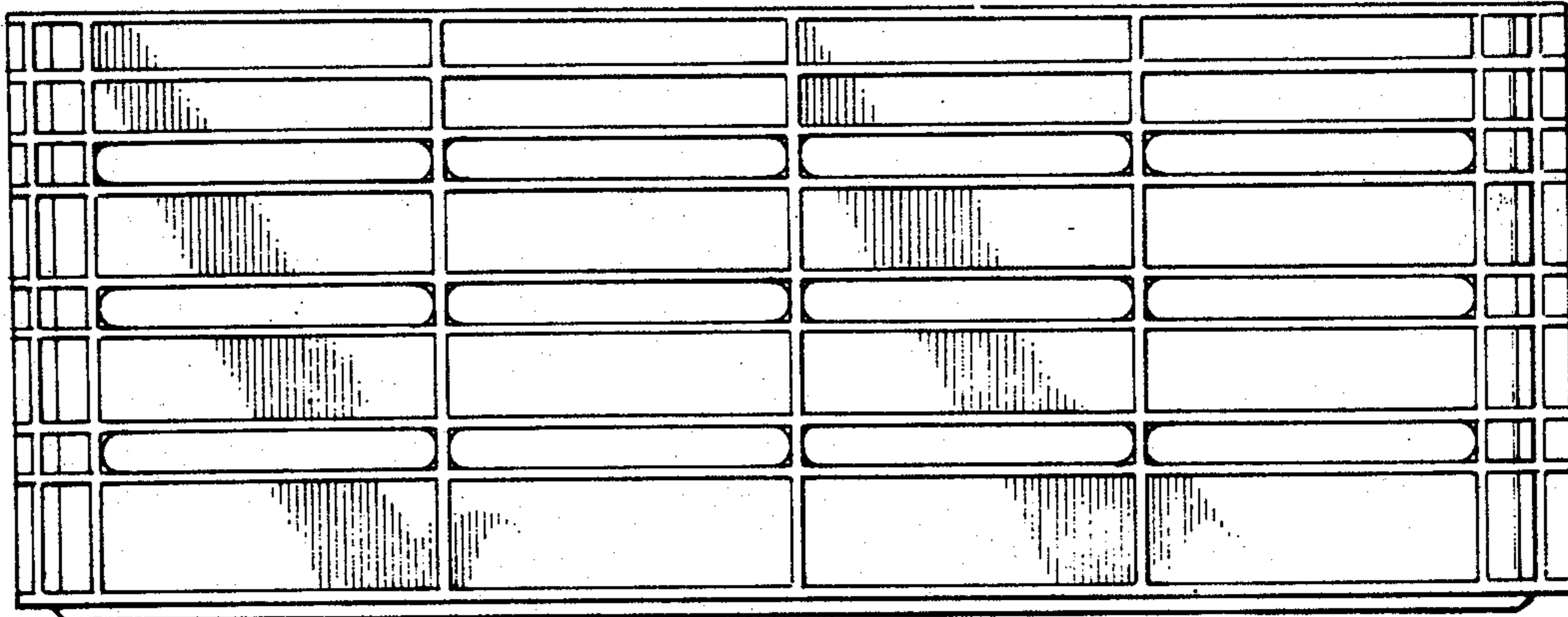
*Fig. 1*

*Fig. 2*

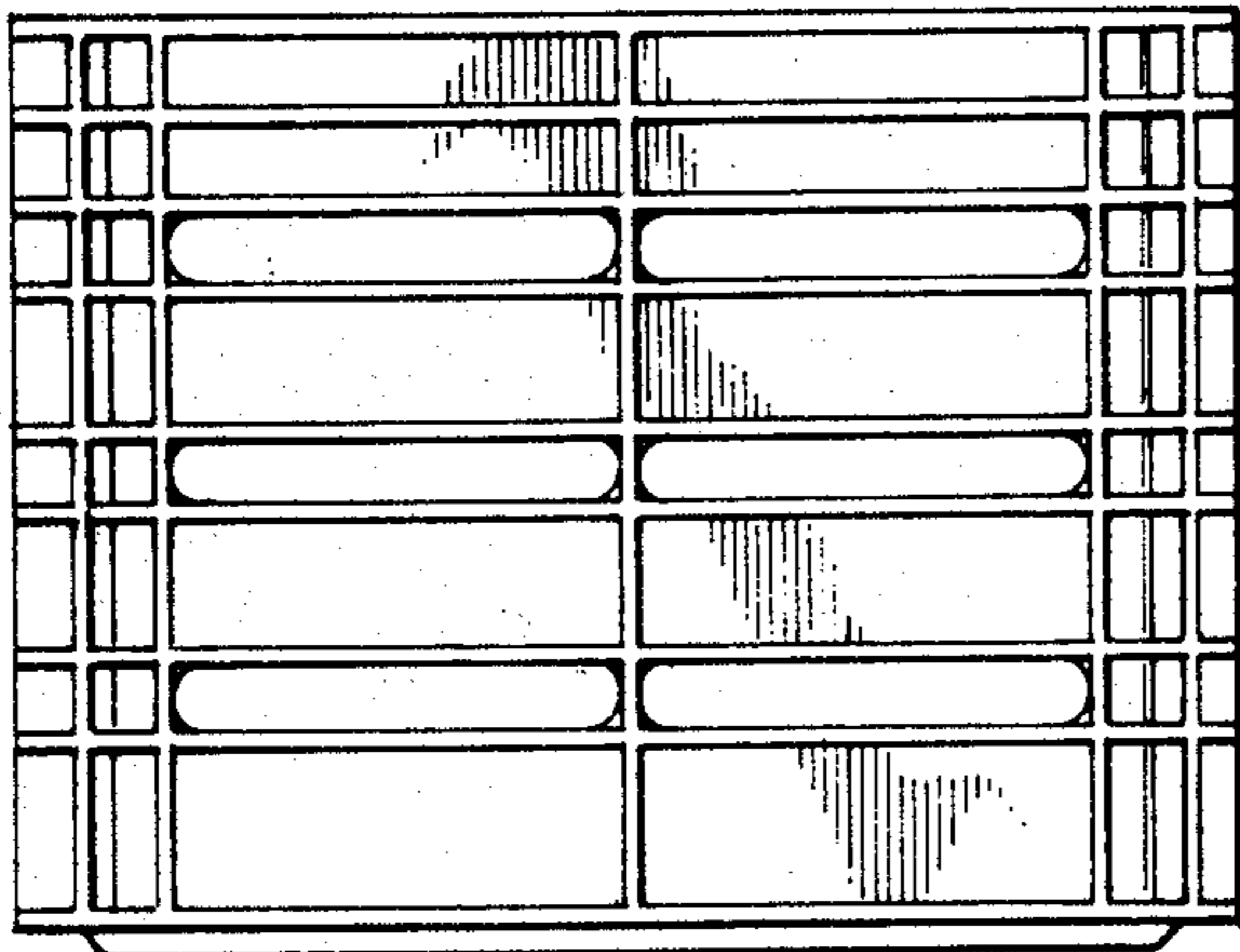
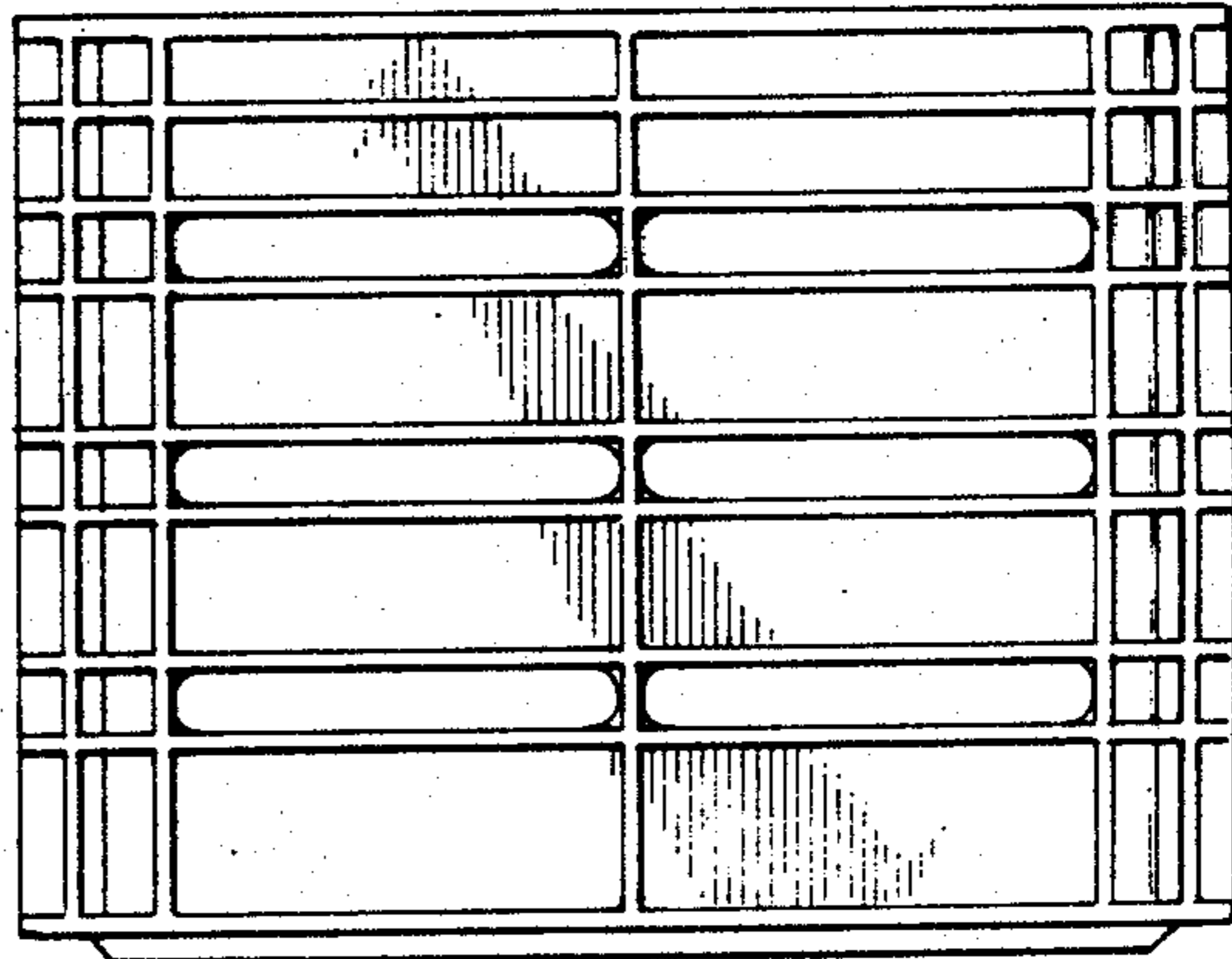




*Fig. 3*

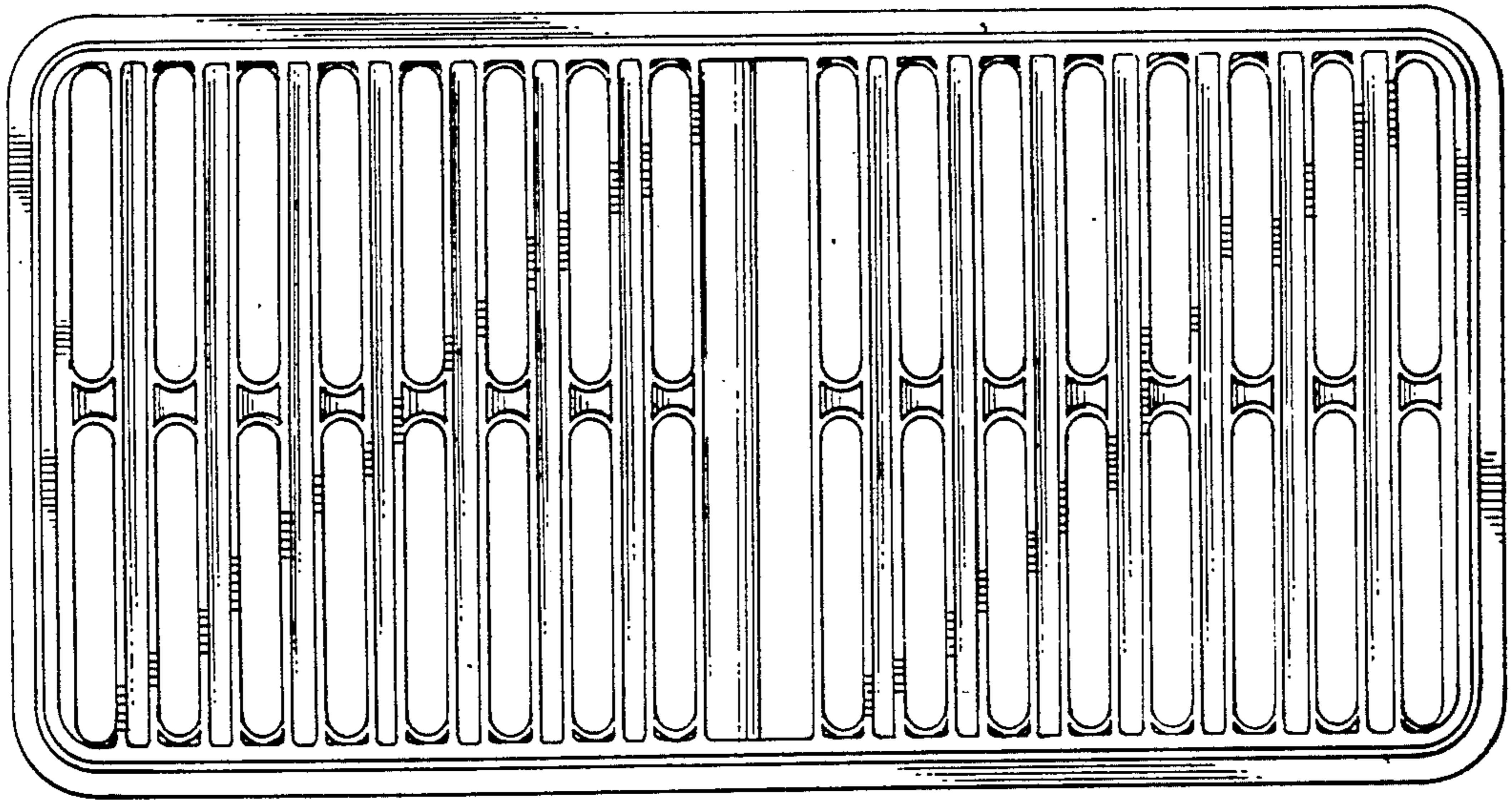
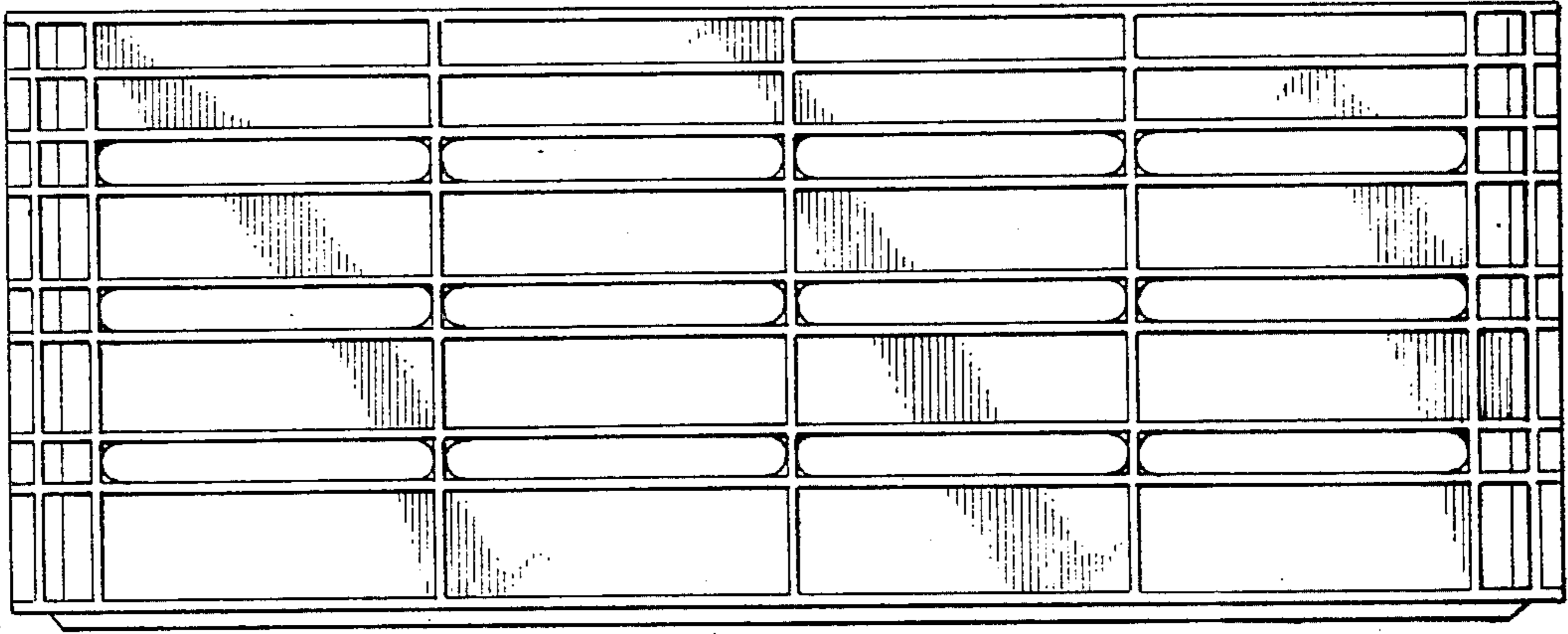


*Fig. 4*



*Fig. 5*

*Fig. 6*



*Fig. 7*