

[54] BASE FOR AN APPLIANCE SUCH AS AN IRON

[75] Inventors: Ronald E. Babros, West Bend, Wis.; William C. Cesaroni, Glenview, Ill.

[73] Assignee: Dart Industries Inc., Northbrook, Ill.

[\*\*] Term: 14 Years

[21] Appl. No.: 787,885

[22] Filed: Oct. 16, 1985

[52] U.S. Cl. .... D32/73

[58] Field of Search ..... D32/68-73; 38/69, 74, 75, 77.1-77.9, 88, 94, 96, 142; 219/245-259, 271-276

[56] References Cited

U.S. PATENT DOCUMENTS

D. 283,069	3/1986	Dobson et al.	.....	D32/73
2,234,347	3/1941	Sobstein	.....	219/247 X
2,339,495	1/1944	McMann	.....	219/247
2,461,264	2/1949	Fox	.....	219/247

2,507,071	5/1950	Warner	.....	219/247 X
2,524,161	10/1950	Carp	.....	219/247
2,714,650	8/1955	Werner	.....	219/247
2,820,877	1/1958	Oates, Jr.	.....	219/247
3,398,260	8/1968	Martens	.....	38/79 X
3,745,676	7/1973	Dikoff	.....	38/96
3,760,149	9/1973	Harsani	.....	

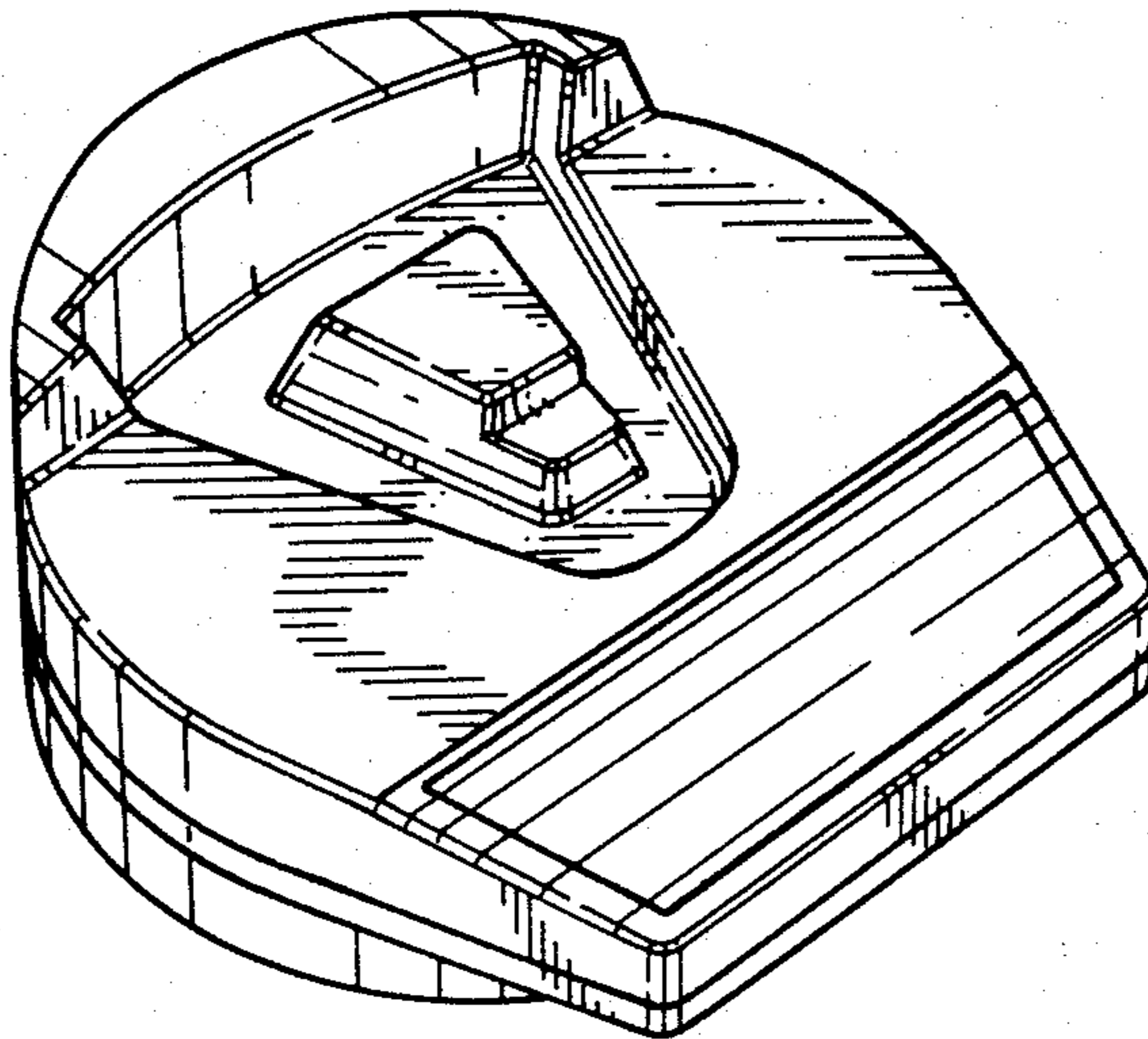
Primary Examiner—Catherine E. Kemper  
Attorney, Agent, or Firm—Gregory J. Mancuso

[57] CLAIM

The ornamental design for base for an appliance such as an iron, substantially as shown.

DESCRIPTION

FIG. 1 is a front perspective view of the base for an appliance such as an iron showing our new design; FIG. 2 is a side elevational view thereof, the opposite side being a mirror image thereof; FIG. 3 is a front elevational view thereof; FIG. 4 is a rear elevational view thereof; FIG. 5 is a top plan view thereof; FIG. 6 is a bottom plan view thereof.



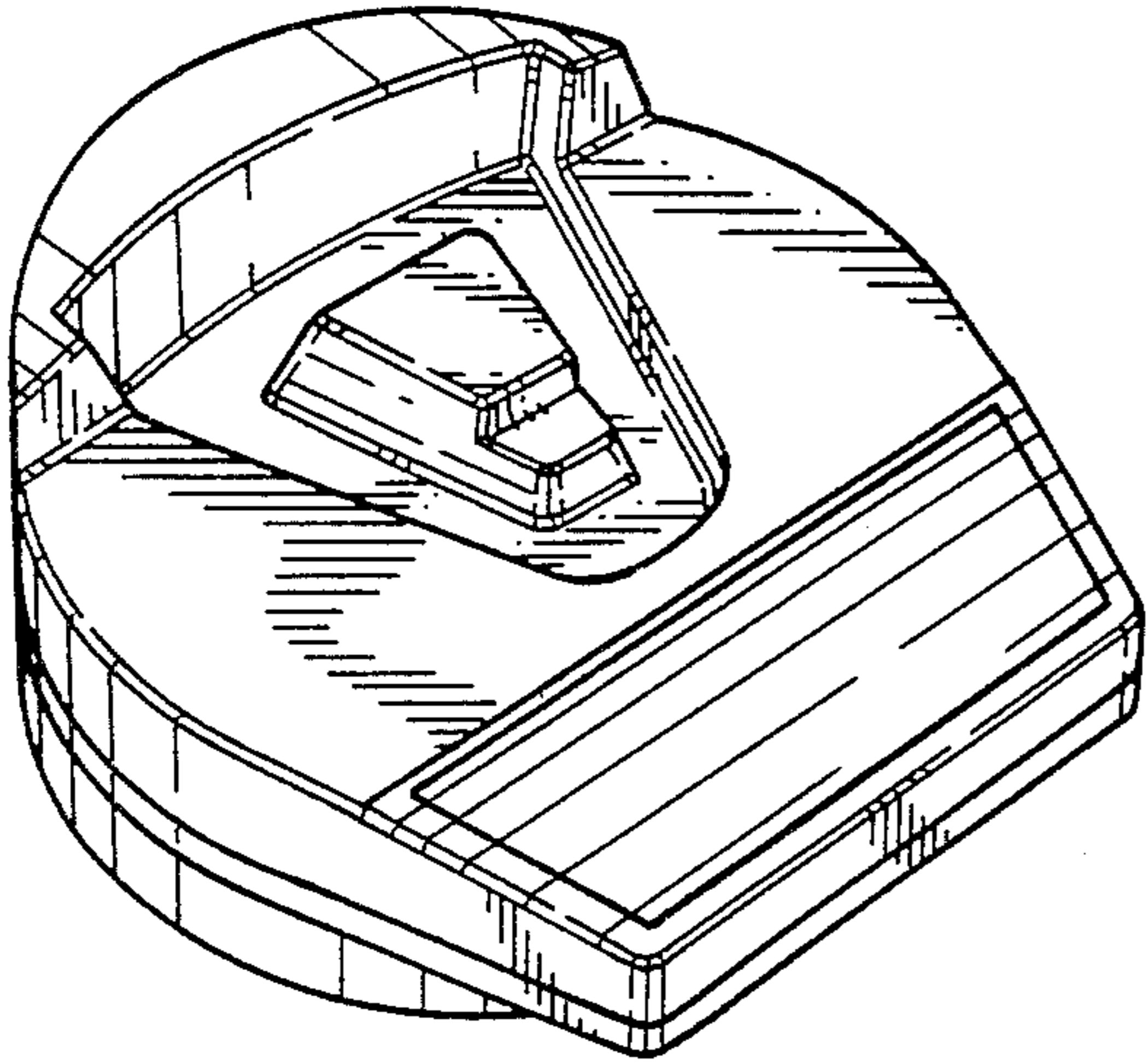


FIG. 1

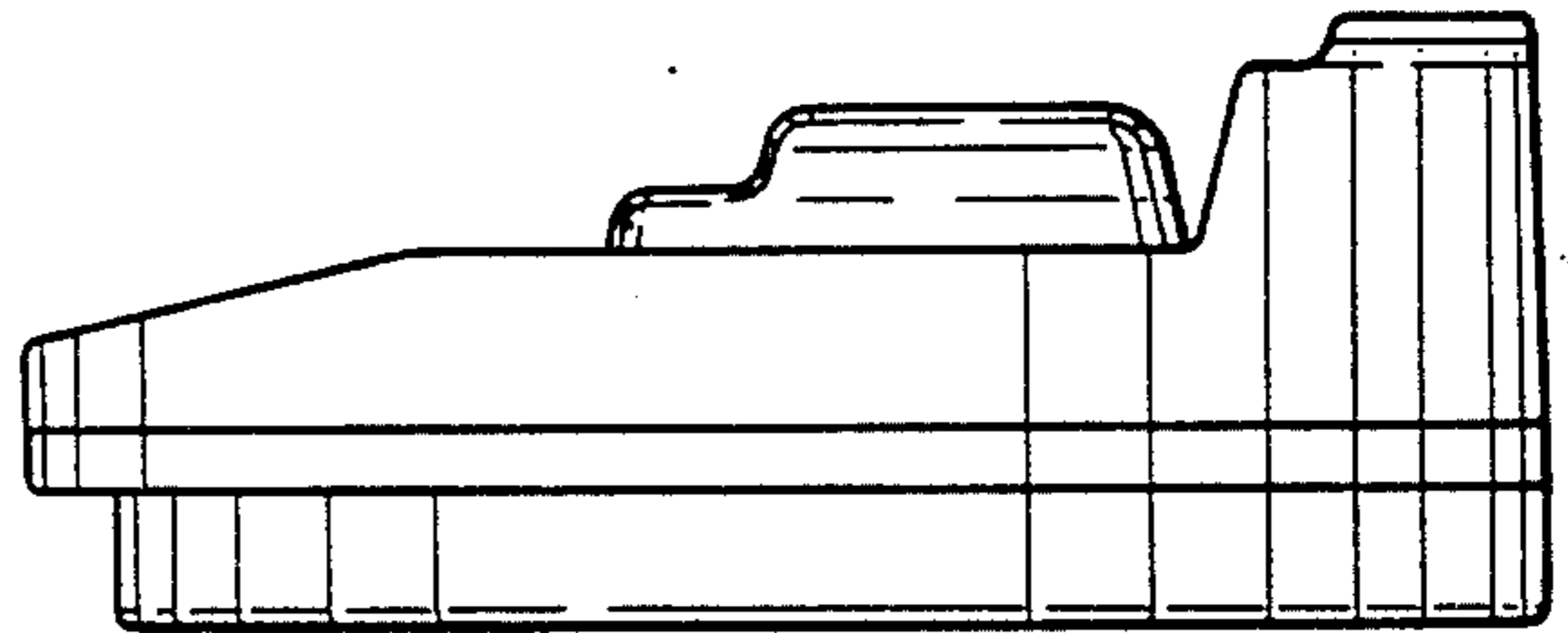


FIG. 2

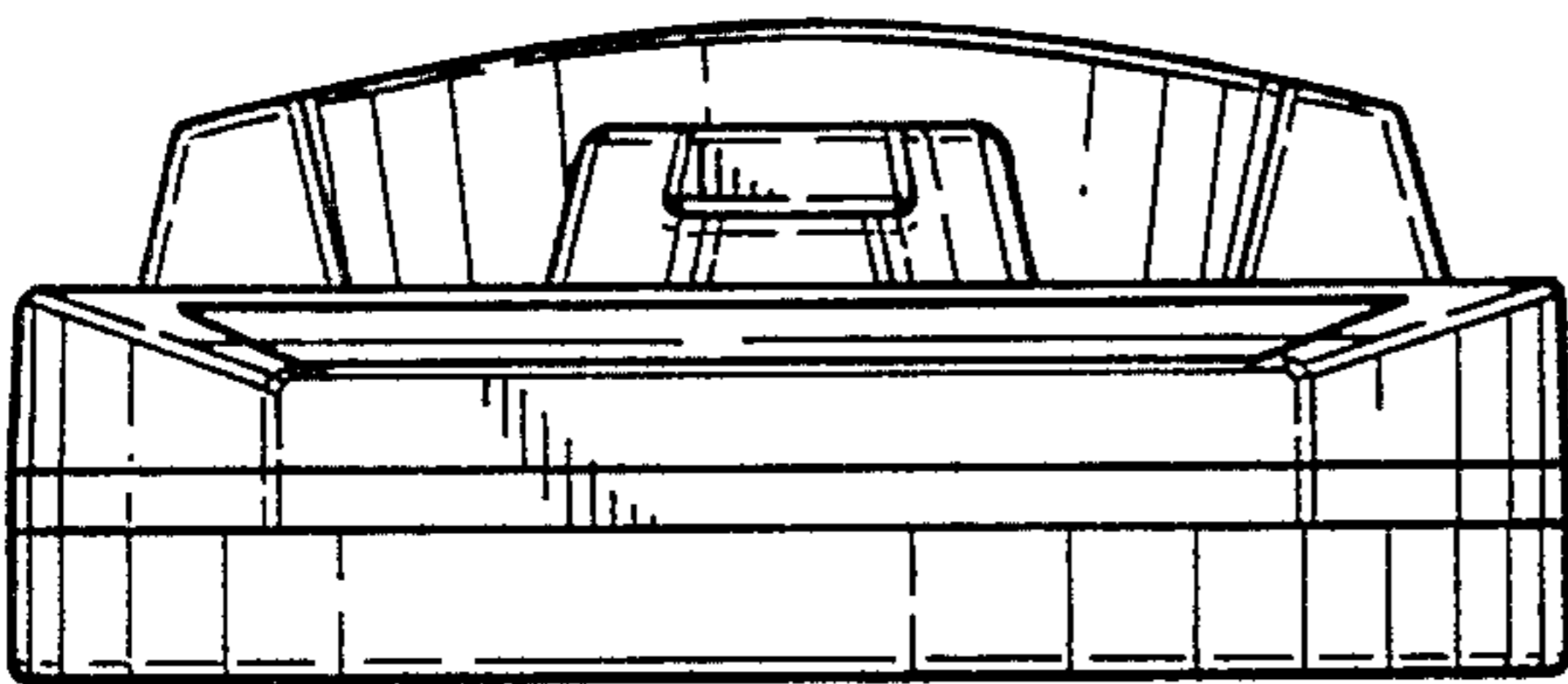


FIG. 3

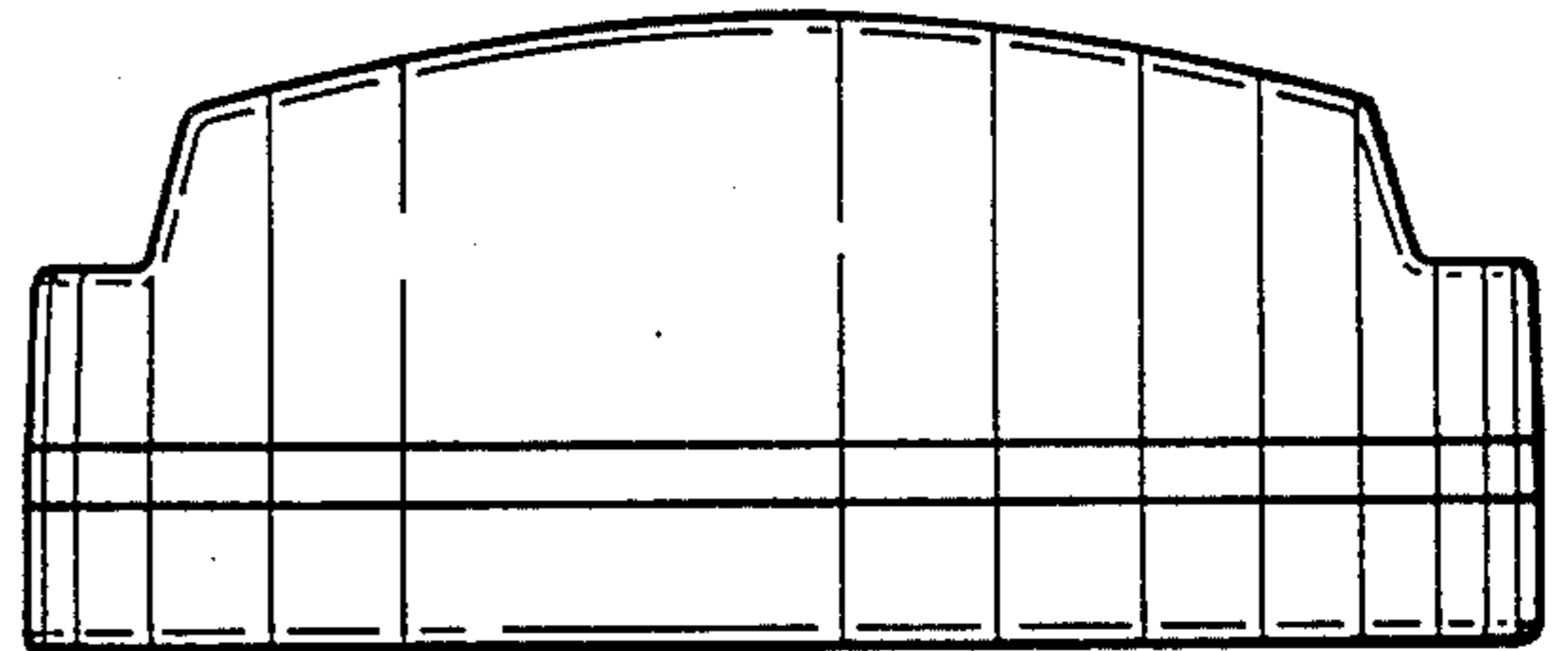


FIG. 4

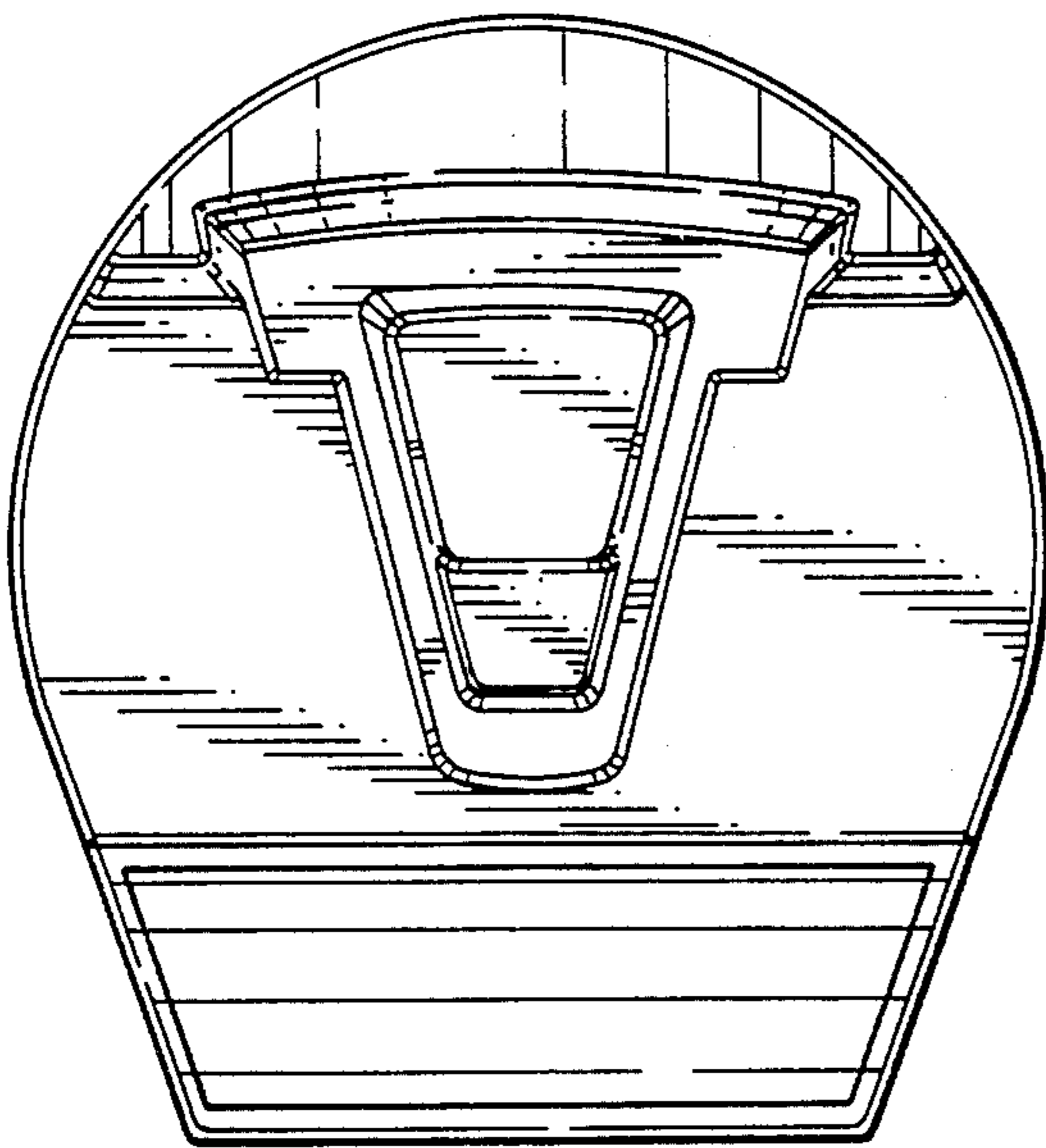


FIG. 5

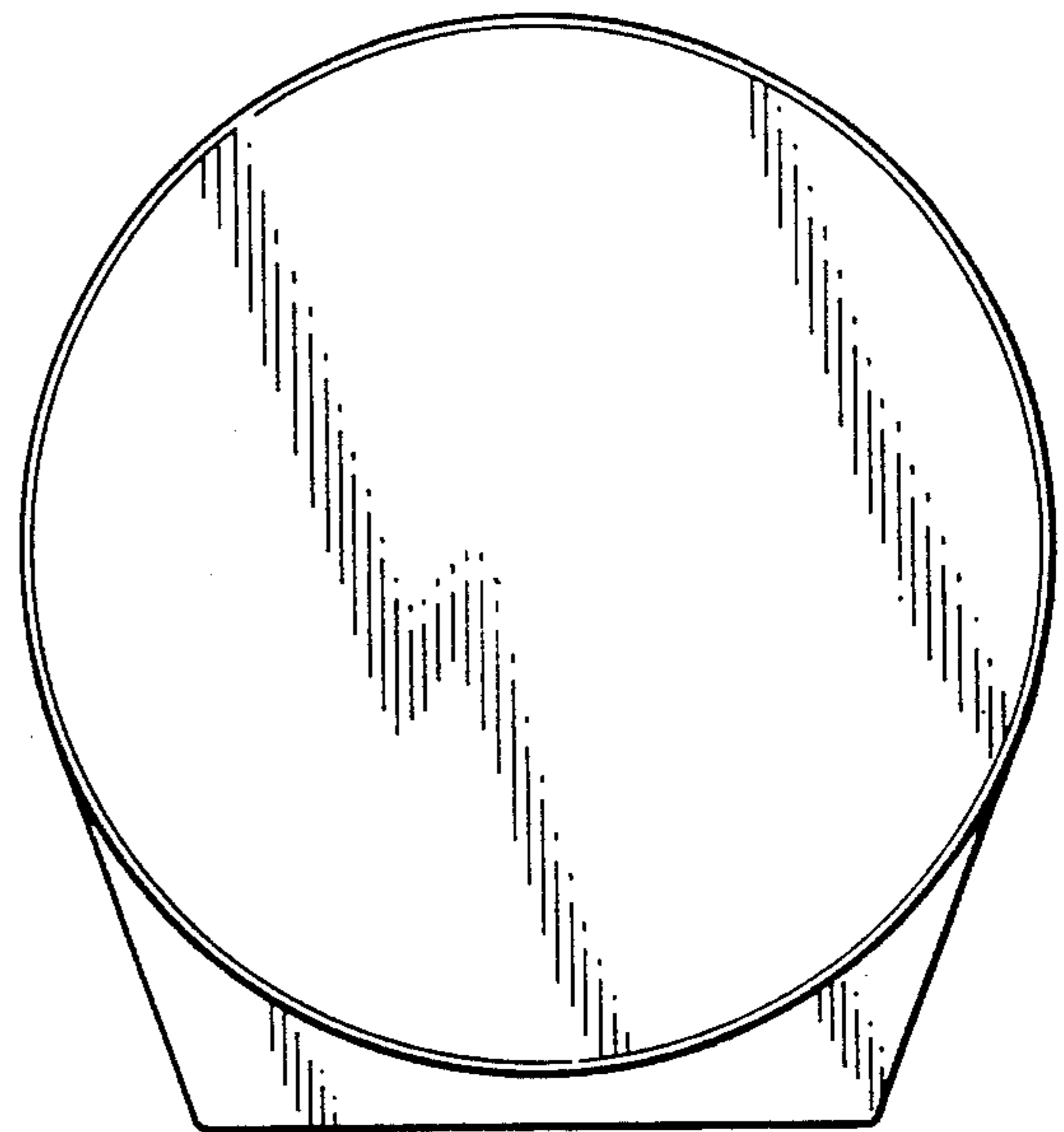


FIG. 6