

[54] COMBINED DISPOSABLE RAZOR AND SHAVING CREAM CONTAINER

[76] Inventor: Marvin W. Plummer, 230 Midway Ave., Madisonville, Ky. 42431

[**] Term: 14 Years

[21] Appl. No.: 763,286

[22] Filed: Aug. 7, 1985

[52] U.S. Cl. D28/46

[58] Field of Search D28/44-51; 30/32, 34 R, 34.1, 41, 41.5, 47, 50, 84-86, 90

[56] References Cited

U.S. PATENT DOCUMENTS

1,735,751 11/1929 Green 30/86
3,353,264 11/1967 Waldman 30/41

3,793,723 2/1974 Kuris et al. D28/49 X
4,433,483 2/1984 Lazarus 30/41
4,562,643 1/1986 Cataudella 30/41

Primary Examiner—Louis S. Zarfaz
Attorney, Agent, or Firm—Don E. Ferrell

[57] CLAIM

The ornamental design for a combined disposable razor and shaving cream container, as shown and described.

DESCRIPTION

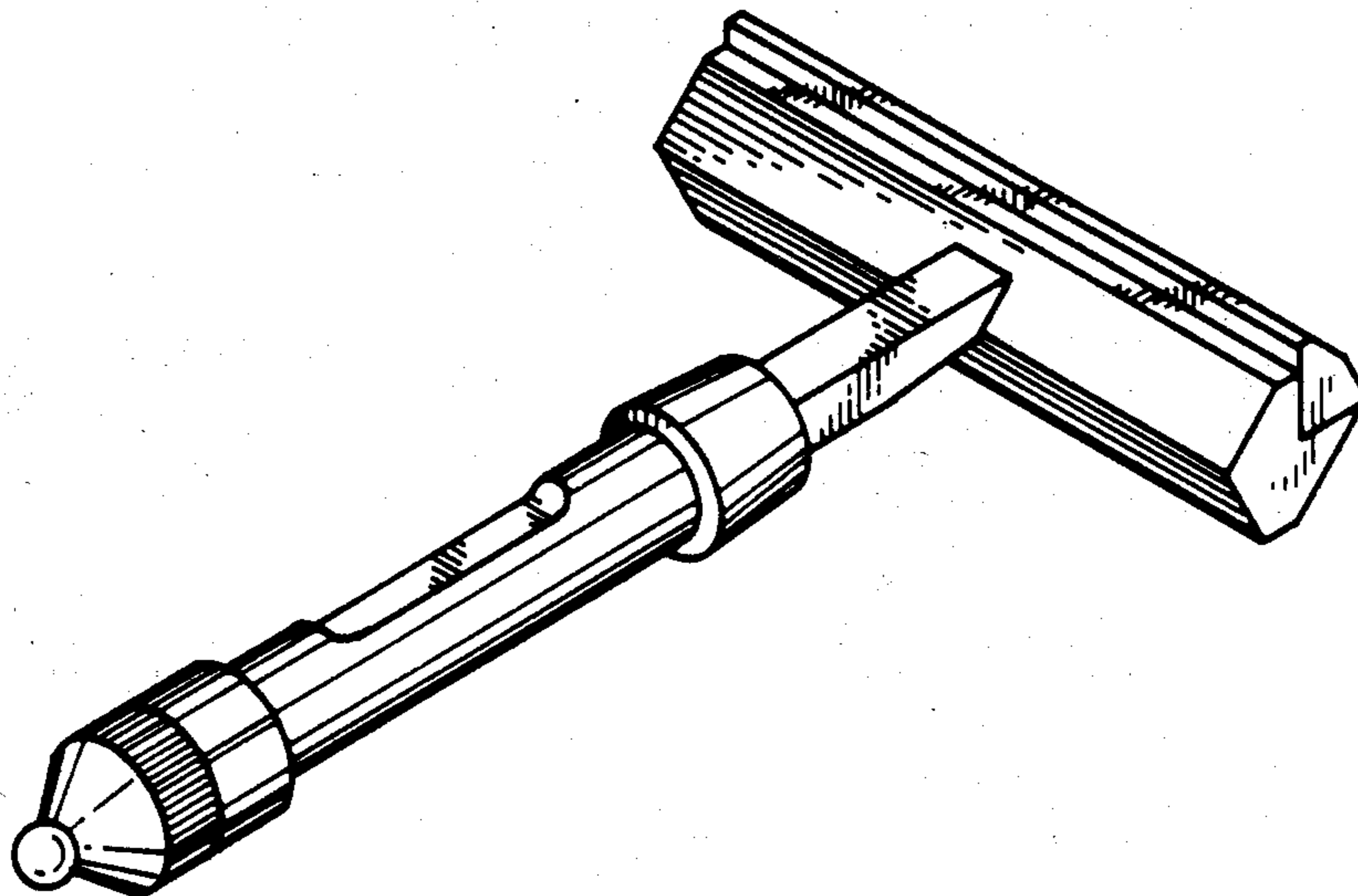
FIG. 1 is a perspective view of a combined disposable razor and shaving cream container showing my new design.

FIG. 2 is a side elevational view thereof.

FIG. 3 is a left end elevational view thereof;

FIG. 4 is a right end elevational view thereof.

FIG. 5 is a top plan view thereof.



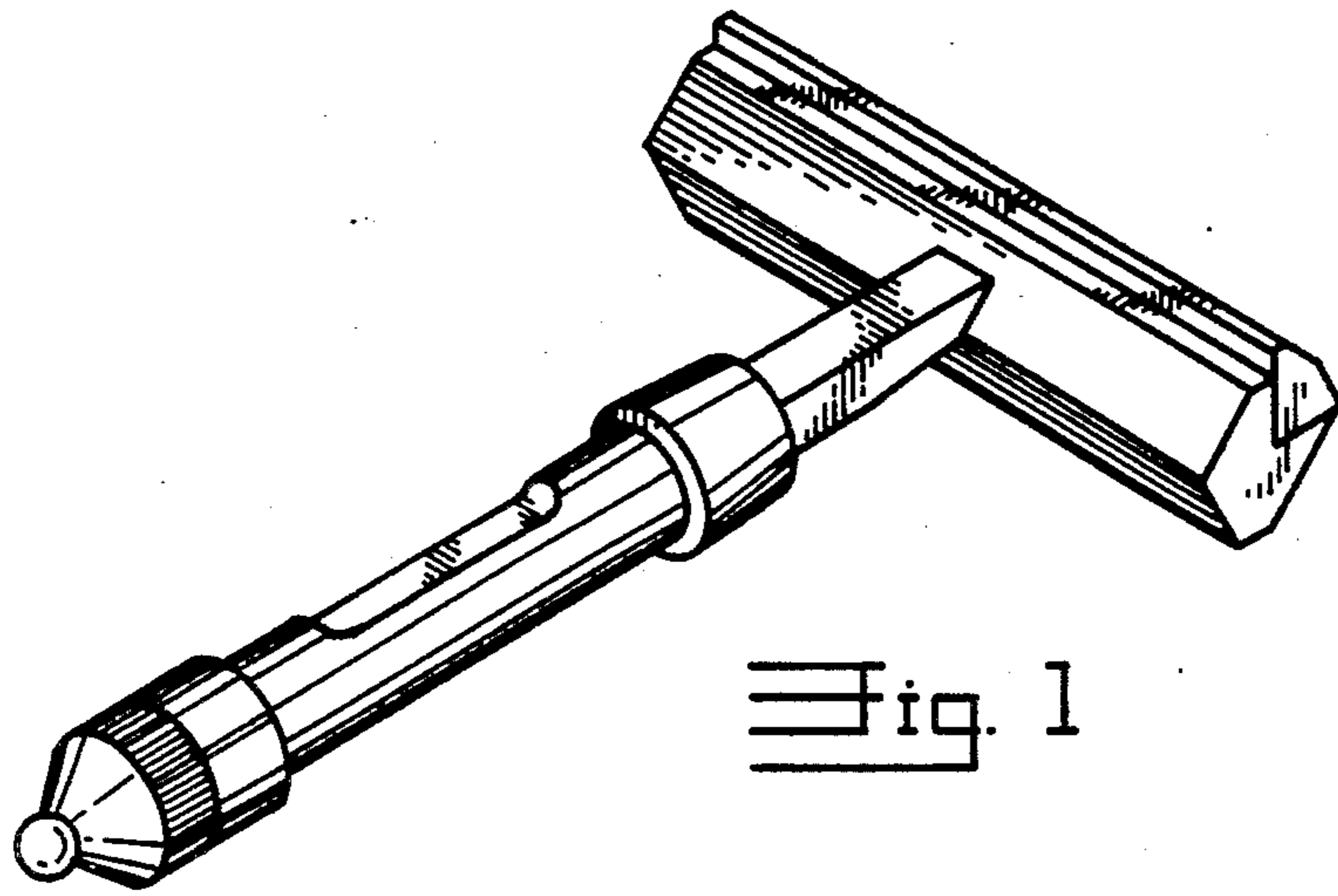


Fig. 1



Fig. 2

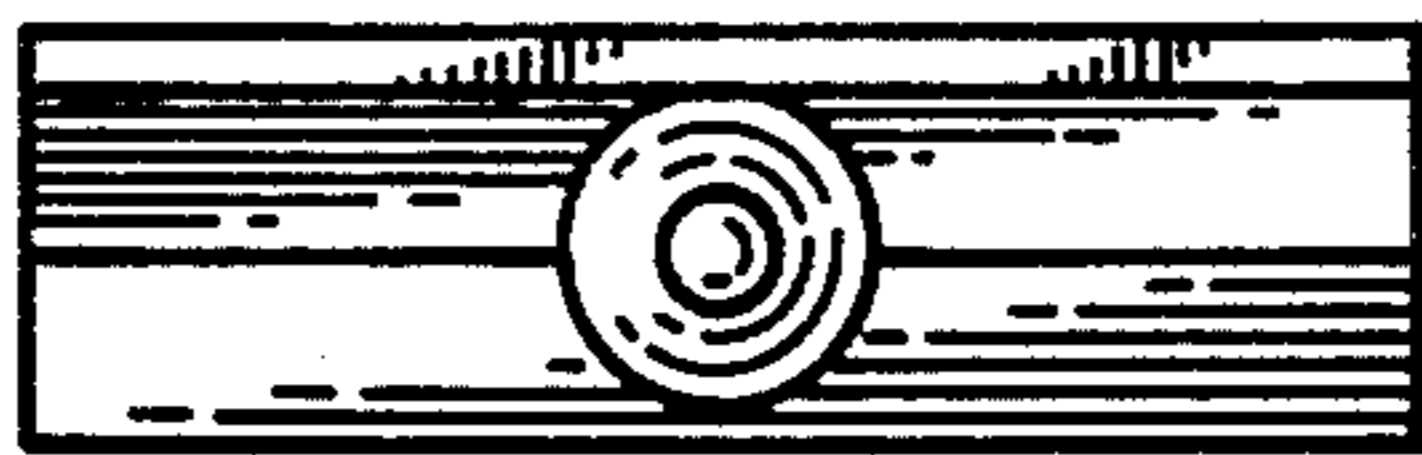


Fig. 3

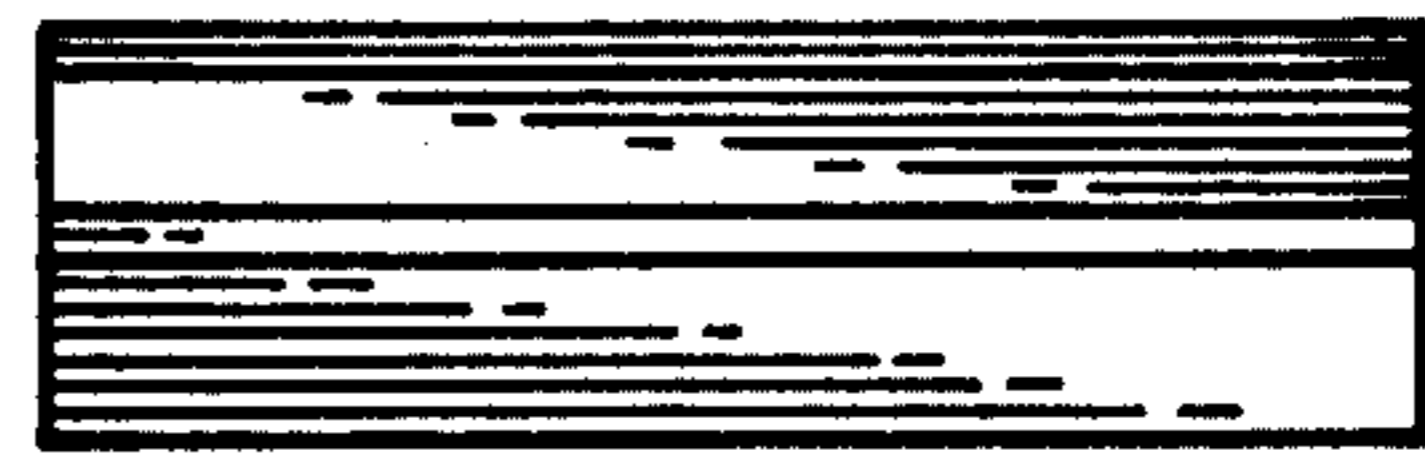


Fig. 4

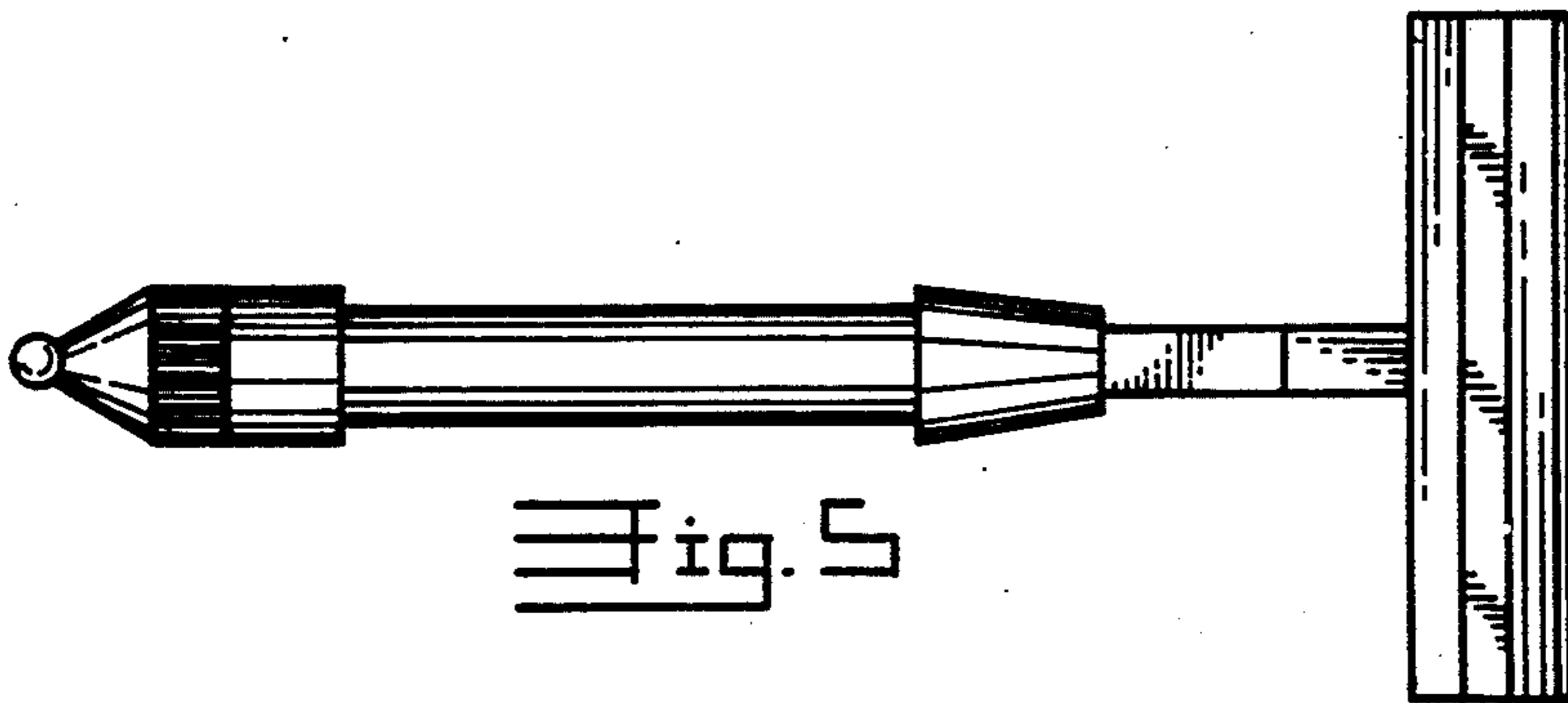


Fig. 5