

[54] **CAMPING LIGHT STANDARD**

[76] Inventor: **William C. Fleming**, 1440 Cheswick Pl., Westlake Village, Calif. 91361

[**] Term: **14 Years**

[21] Appl. No.: **765,645**

[22] Filed: **Aug. 15, 1985**

[52] U.S. Cl. **D26/138**

[58] Field of Search **D26/60, 138, 140; 248/121, 127, 156-159, 161, 165, 225.31, 231.7, 303, 304; 211/172; 362/190, 191, 382, 396, 413, 418, 431**

[56] **References Cited**

U.S. PATENT DOCUMENTS

D. 248,790	8/1978	Castor	D26/138 X
2,926,442	3/1960	Reimel	248/121 X
3,178,144	4/1965	Kimoto	D26/138 X
3,199,818	8/1965	Ahara	248/156
3,333,807	8/1967	Locatelli	248/231.7
4,483,506	11/1984	Litwiller	248/156 X

Primary Examiner—Susan J. Lucas
Attorney, Agent, or Firm—Cislo & Thomas

[57] **CLAIM**

The ornamental design for a camping light standard, as shown and described.

DESCRIPTION

FIG. 1 is a perspective view of a camping light standard showing my new design, a camp light being shown in broken lines for illustrative purposes only; FIG. 2 is a front elevational view thereof; FIG. 3 is a rear elevational view thereof; FIG. 4 is a right side elevational view thereof with the left side elevational view being identical thereto; FIG. 5 is a bottom plan view thereof; FIG. 6 is a top plan view thereof; FIG. 7 is a perspective view of a second embodiment of my new design on an enlarged scale; FIG. 8 is a front elevational view thereof; FIG. 9 is a right side elevational view thereof; FIG. 10 is a left side elevational view thereof; FIG. 11 is a rear elevational view thereof; FIG. 12 is a top plan view thereof; FIG. 13 is a bottom plan view thereof; The standard is broken away in FIGS. 1, 2, 3, 4 and 7 for convenience of illustration.

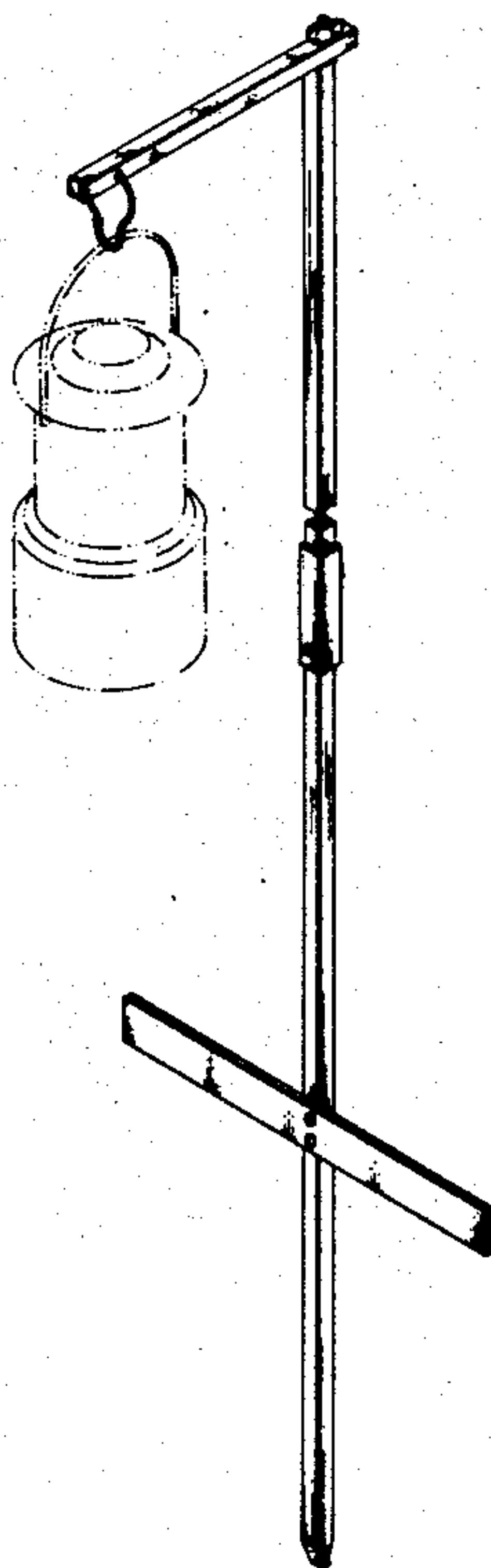


Fig. 1.

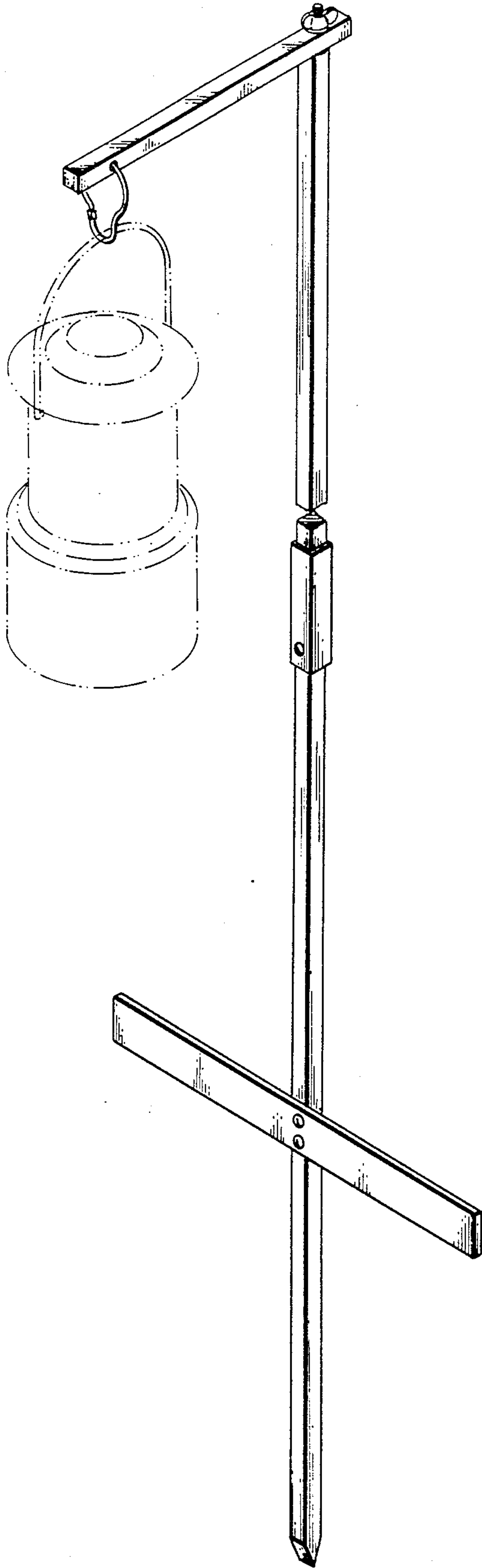


Fig. 2.

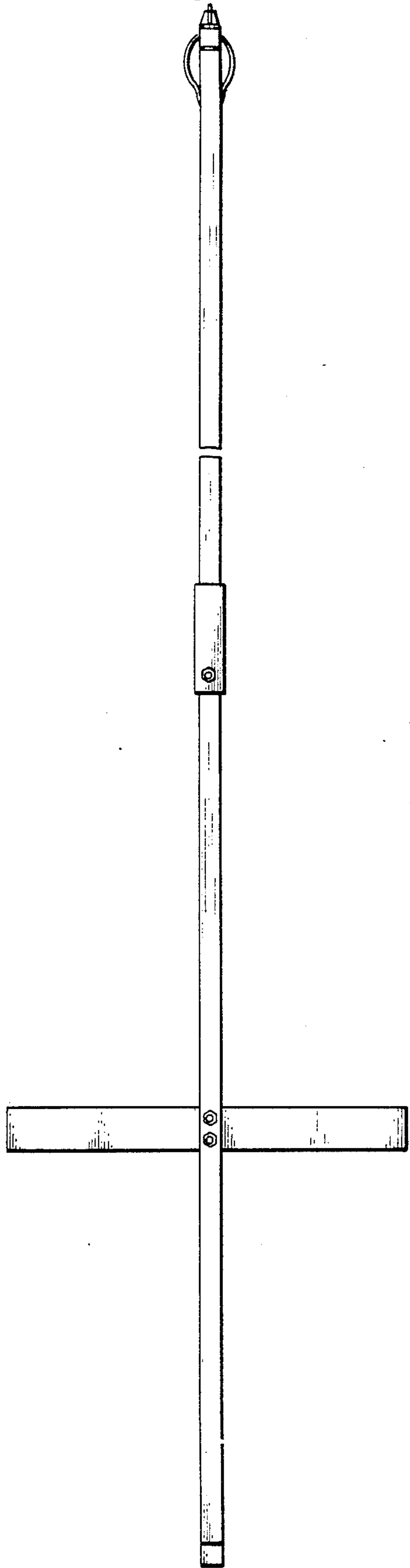


Fig. 3.

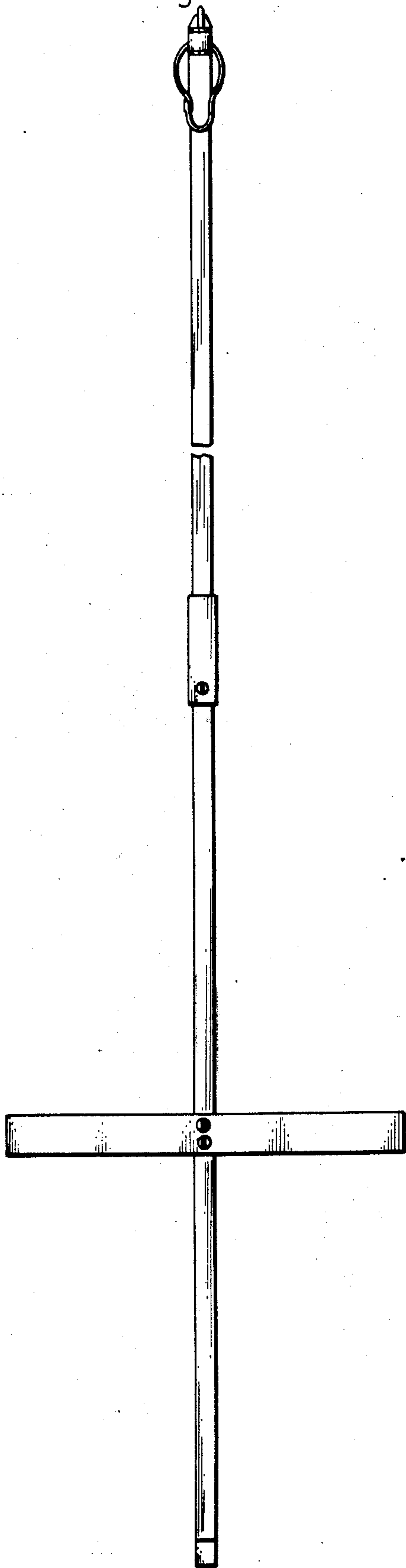


Fig. 4.

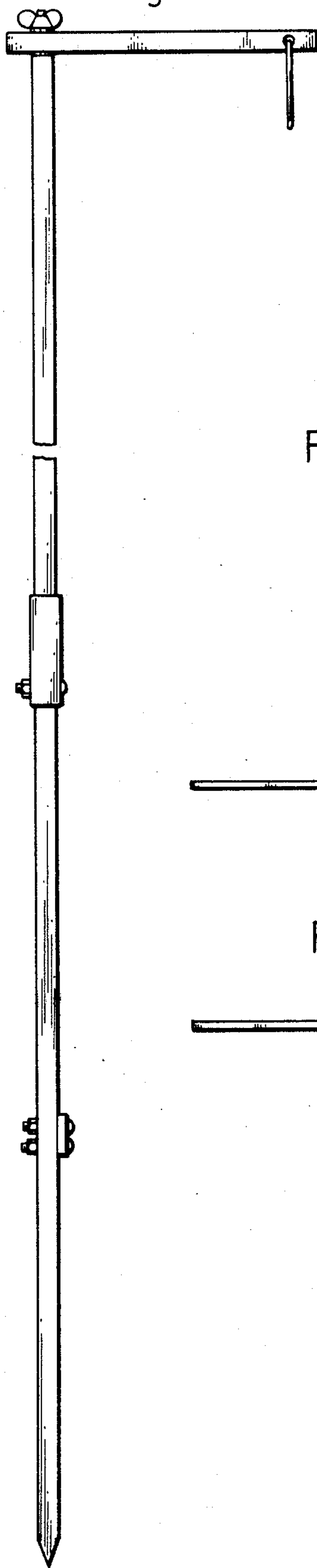


Fig. 5.

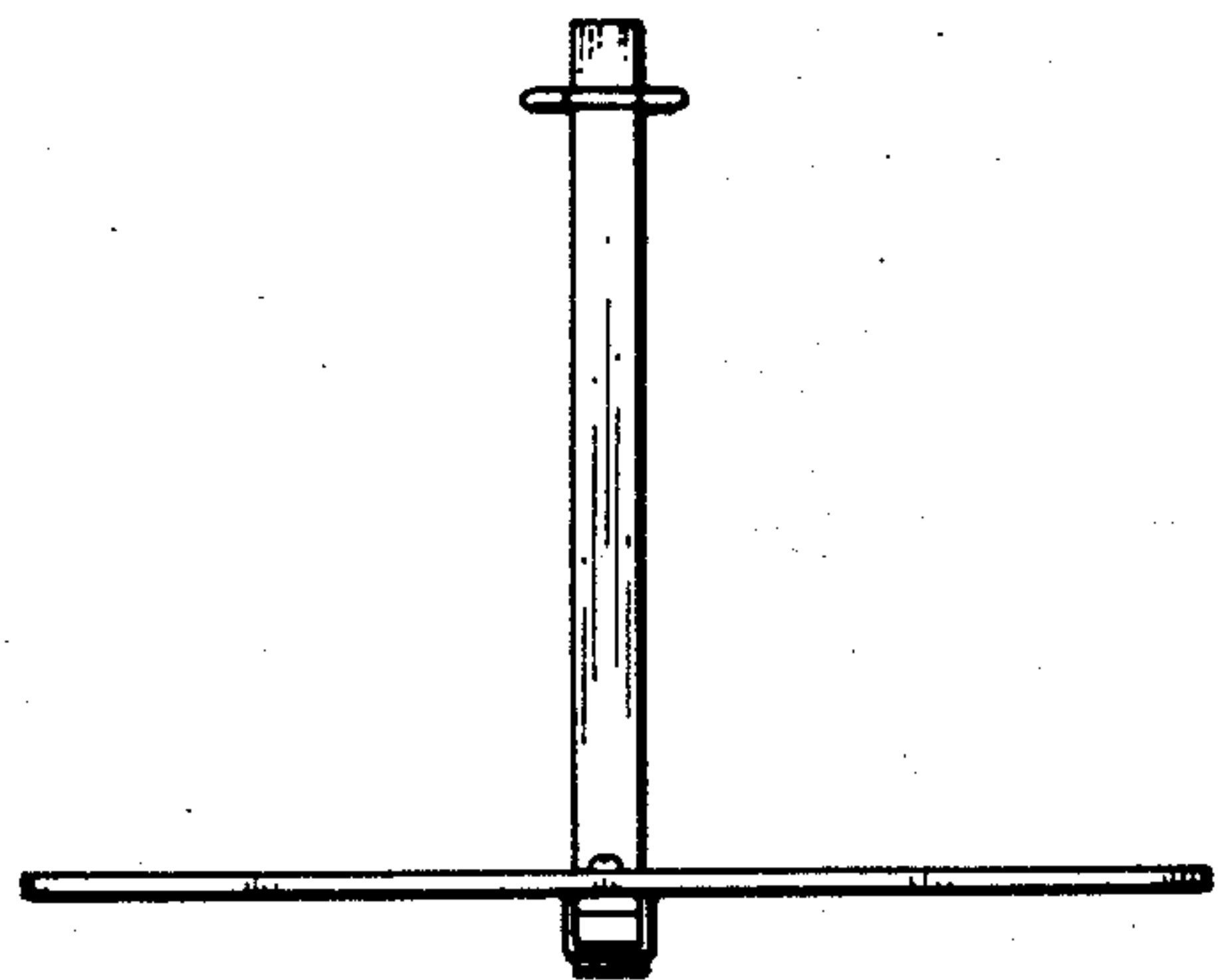
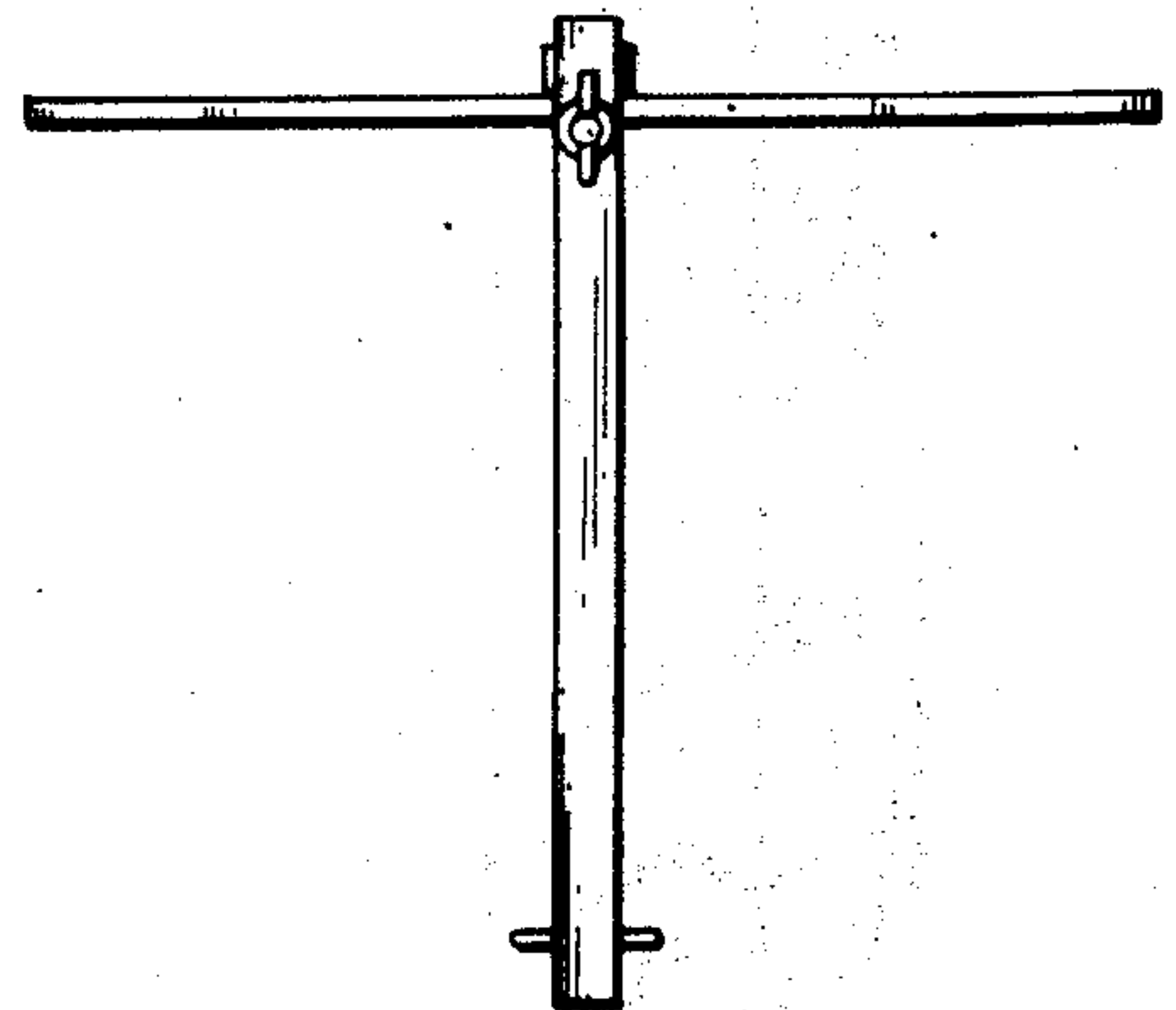


Fig. 6.



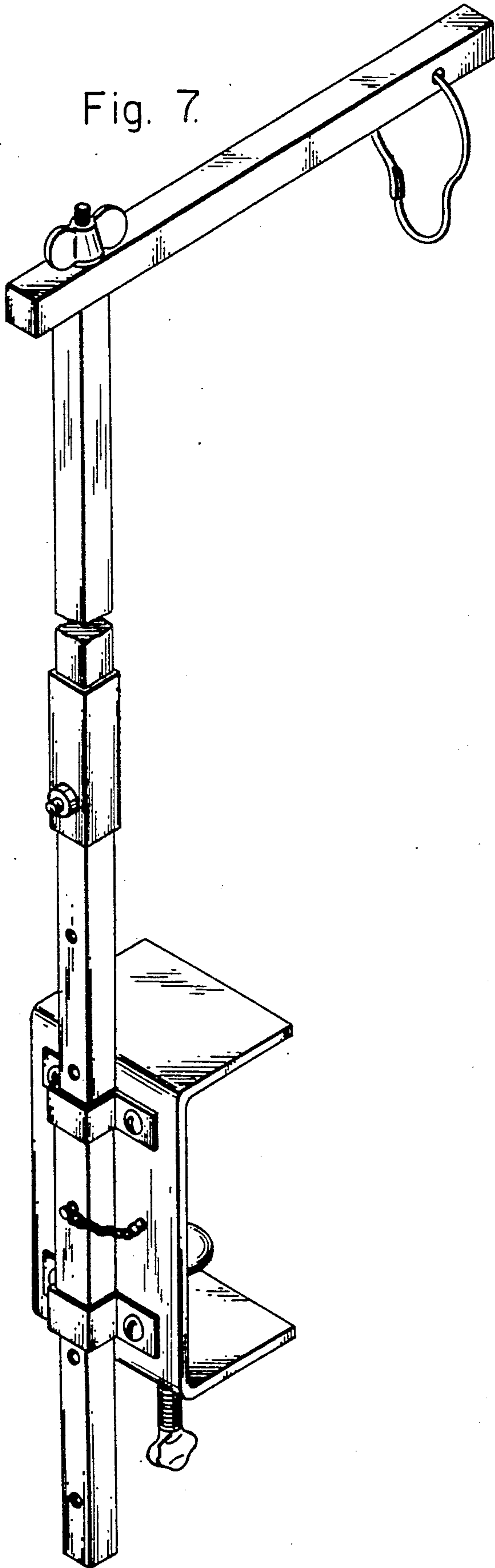


Fig. 8.

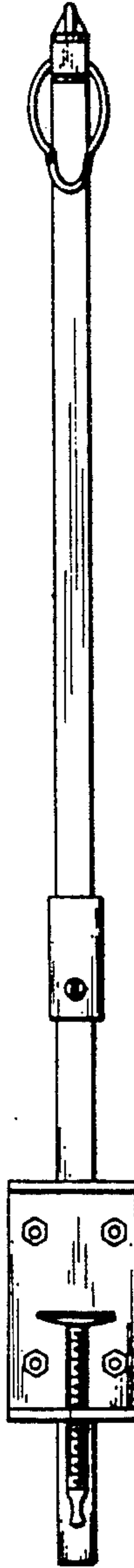


Fig. 9.

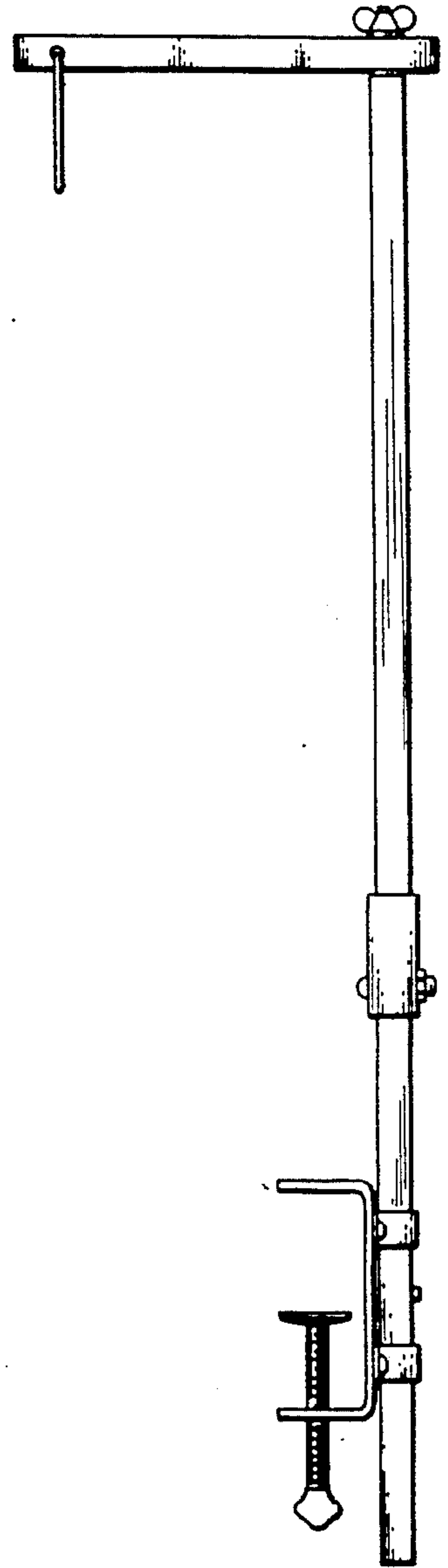


Fig. 10.

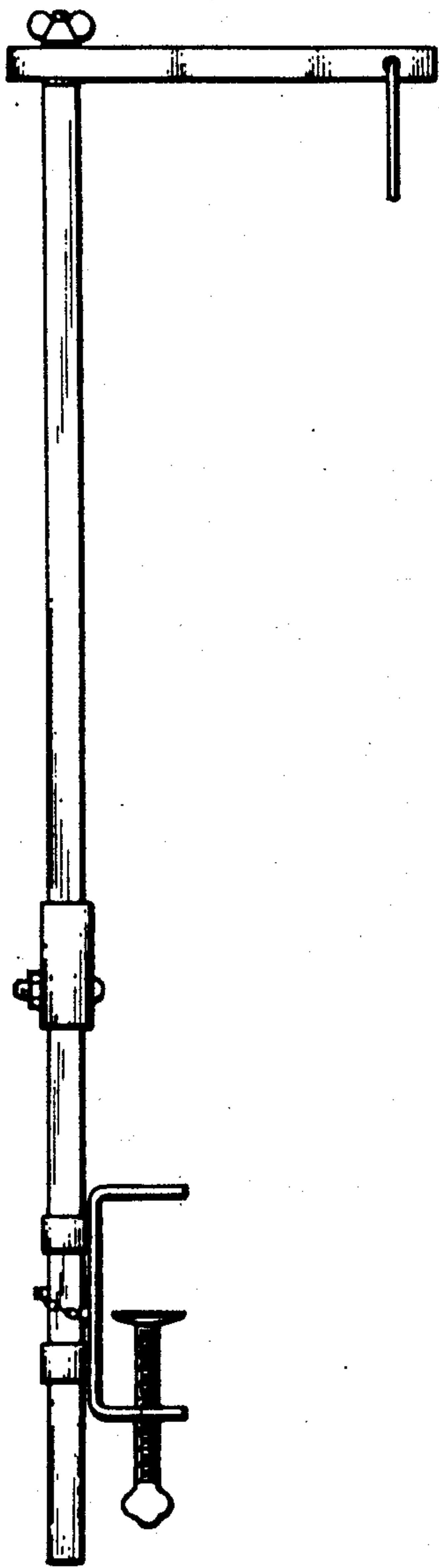


Fig. 11.

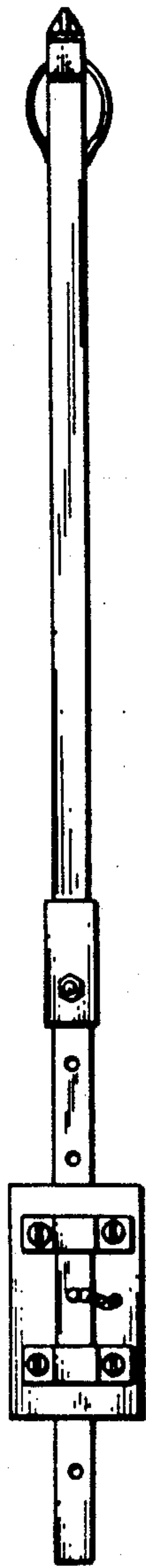


Fig. 12.

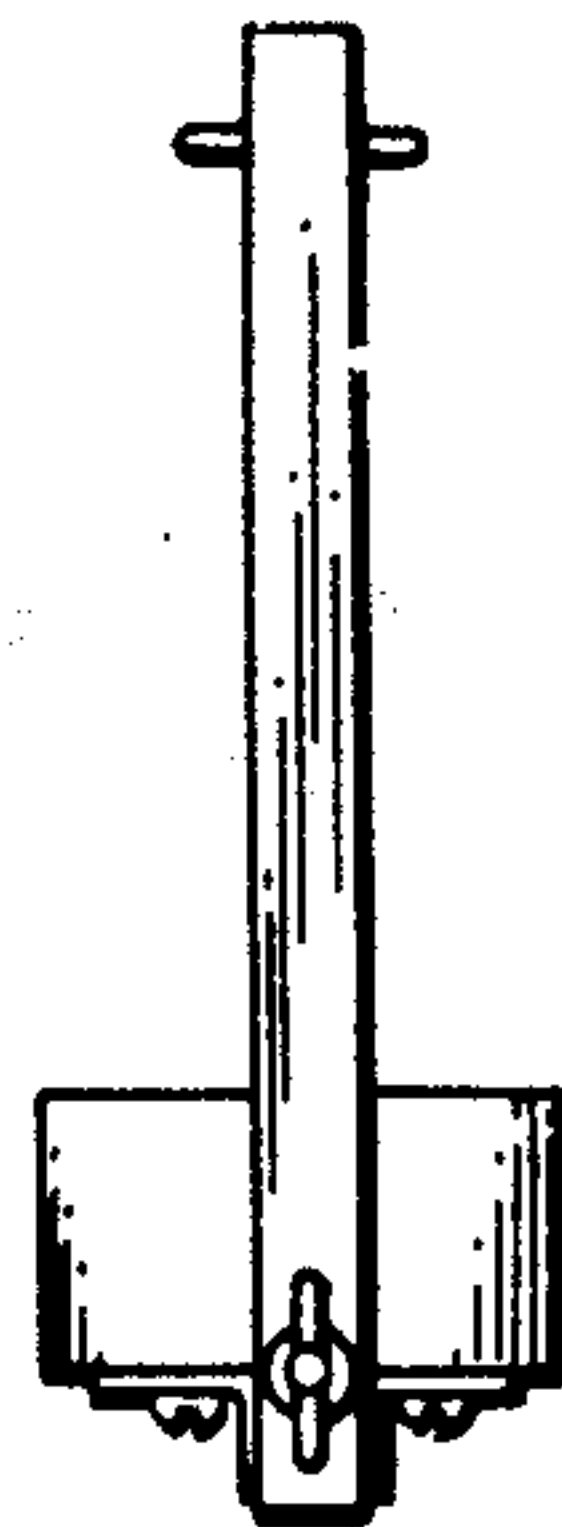


Fig. 13.

