

[54] FLASHLIGHT

[75] Inventor: Kenneth R. Fenne, Glen Ellyn, Ill.

[73] Assignee: Pittway Corporation, Aurora, Ill.

[**] Term: 14 Years

[21] Appl. No.: 613,322

[22] Filed: May 23, 1984

[52] U.S. Cl. D26/46

[58] Field of Search D26/37-49;
362/157, 183-208

[56] References Cited

U.S. PATENT DOCUMENTS

D. 204,904	5/1966	Moore et al.	48/24
D. 205,679	9/1966	Moore et al.	48/24
D. 208,940	10/1967	Moore	48/24
D. 209,163	11/1967	Cannon	48/24
D. 209,694	12/1967	Tesar	48/24
D. 226,022	1/1973	Holtzman	48/24
D. 230,068	1/1974	Numbers	48/24 A
D. 257,661	12/1980	Gantz	7/164
D. 272,476	1/1984	McCloskey et al.	26/46
D. 282,289	1/1986	Verdier	D26/46
3,017,502	1/1962	Dent	D26/49 X
4,209,875	7/1980	Pugh et al.	15/344

OTHER PUBLICATIONS

Continental Catalog, Fall 1962-Summer 1963, p. 454, Rechargeable Flashlight, B.

Metz Company (West Germany) 1-page brochure entitled "Mecablitz 106 and 107 Electronic Flash Equipment with Twin-Transistor Automatic", with a reference to a date of construction of 1961 and a Cellux Electronic Company (of Malden, Mass.) date stamp of Dec. 1, 1966 (copy of photographs of Mecablitz 107 also attached).

Primary Examiner—Susan J. Lucas
Attorney, Agent, or Firm—Emrich & Dithmar

[57] CLAIM

The ornamental design for a flashlight, as shown and described.

DESCRIPTION

FIG. 1 is a side elevational view of a flashlight showing my new design, the other side being identical; FIG. 2 is a top plan view thereof; FIG. 3 is a bottom plan view thereof; FIG. 4 is a front elevational view thereof; FIG. 5 is a rear elevational view thereof; and FIG. 6 is a view in section taken along the line 6—6 of FIG. 2, on an enlarged scale.

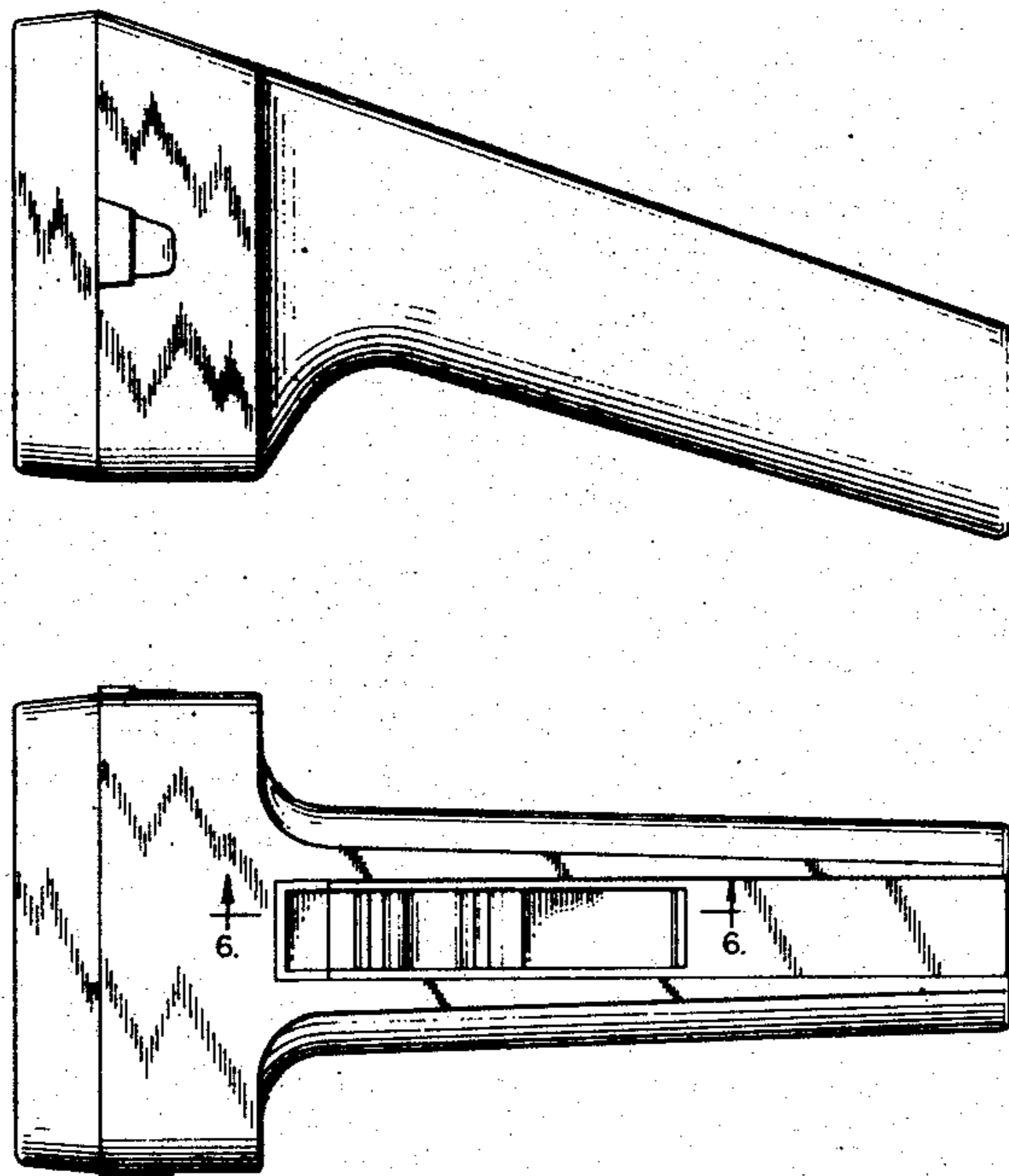


FIG. 1

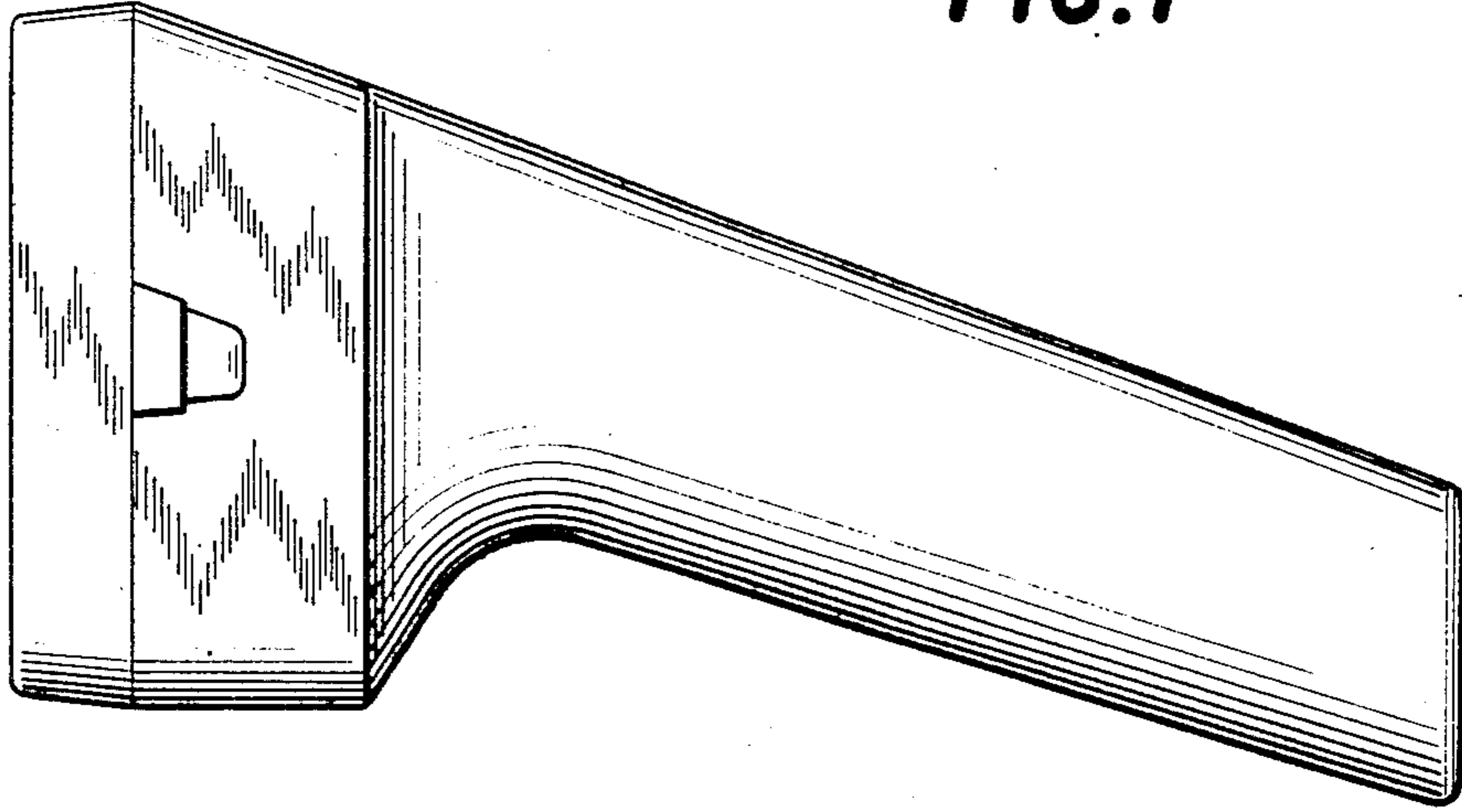


FIG. 2

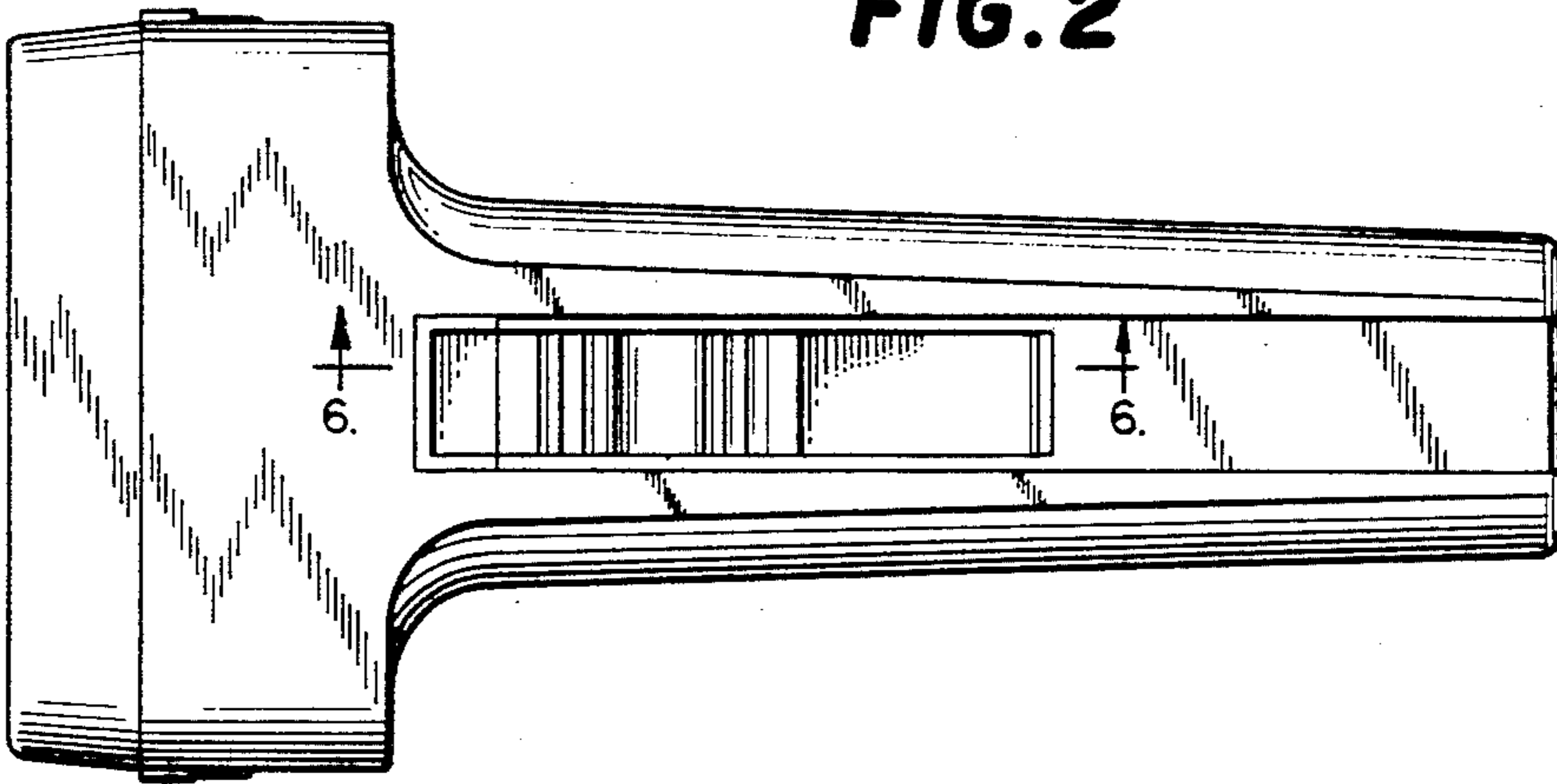


FIG. 3

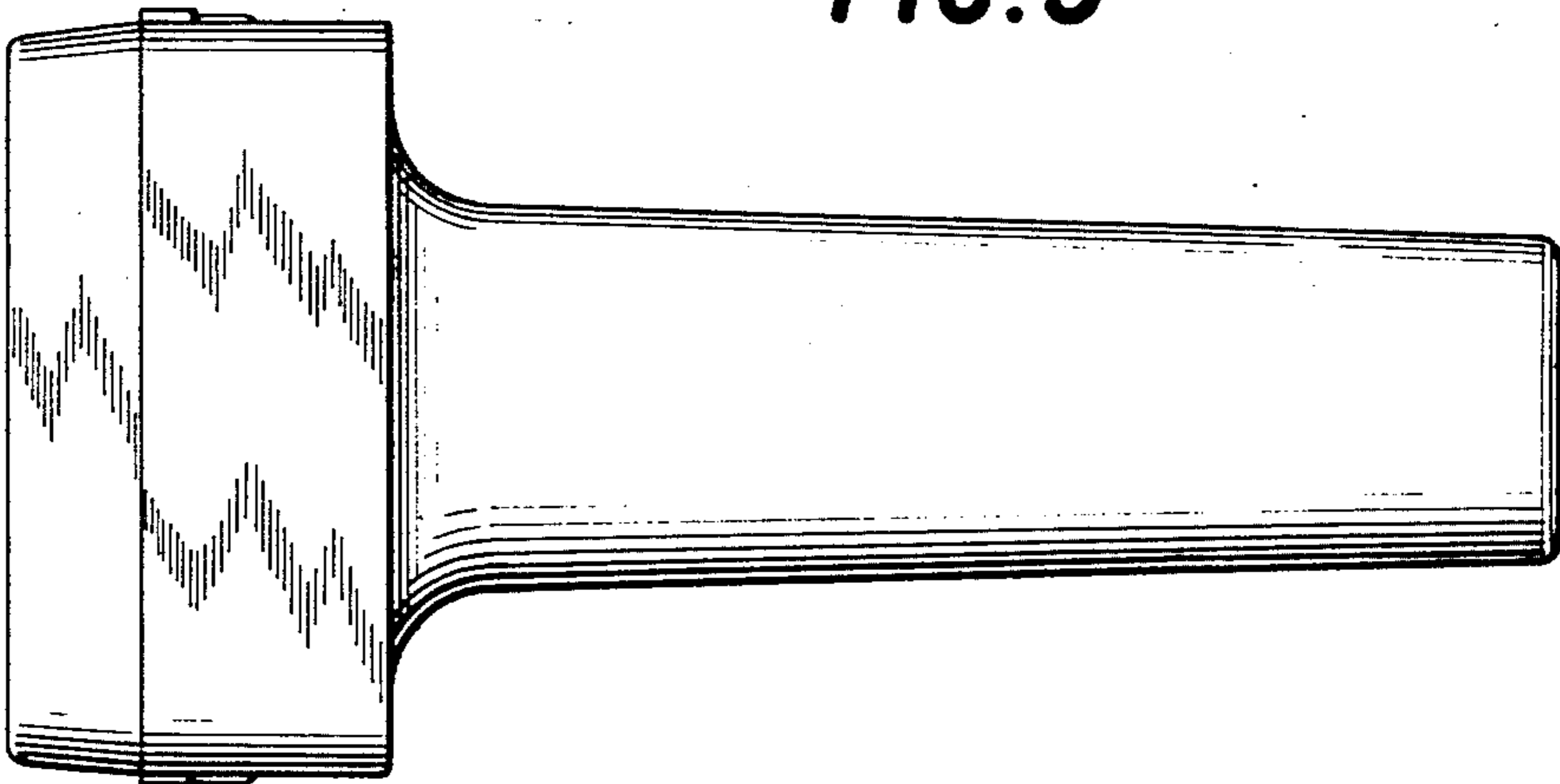


FIG. 4

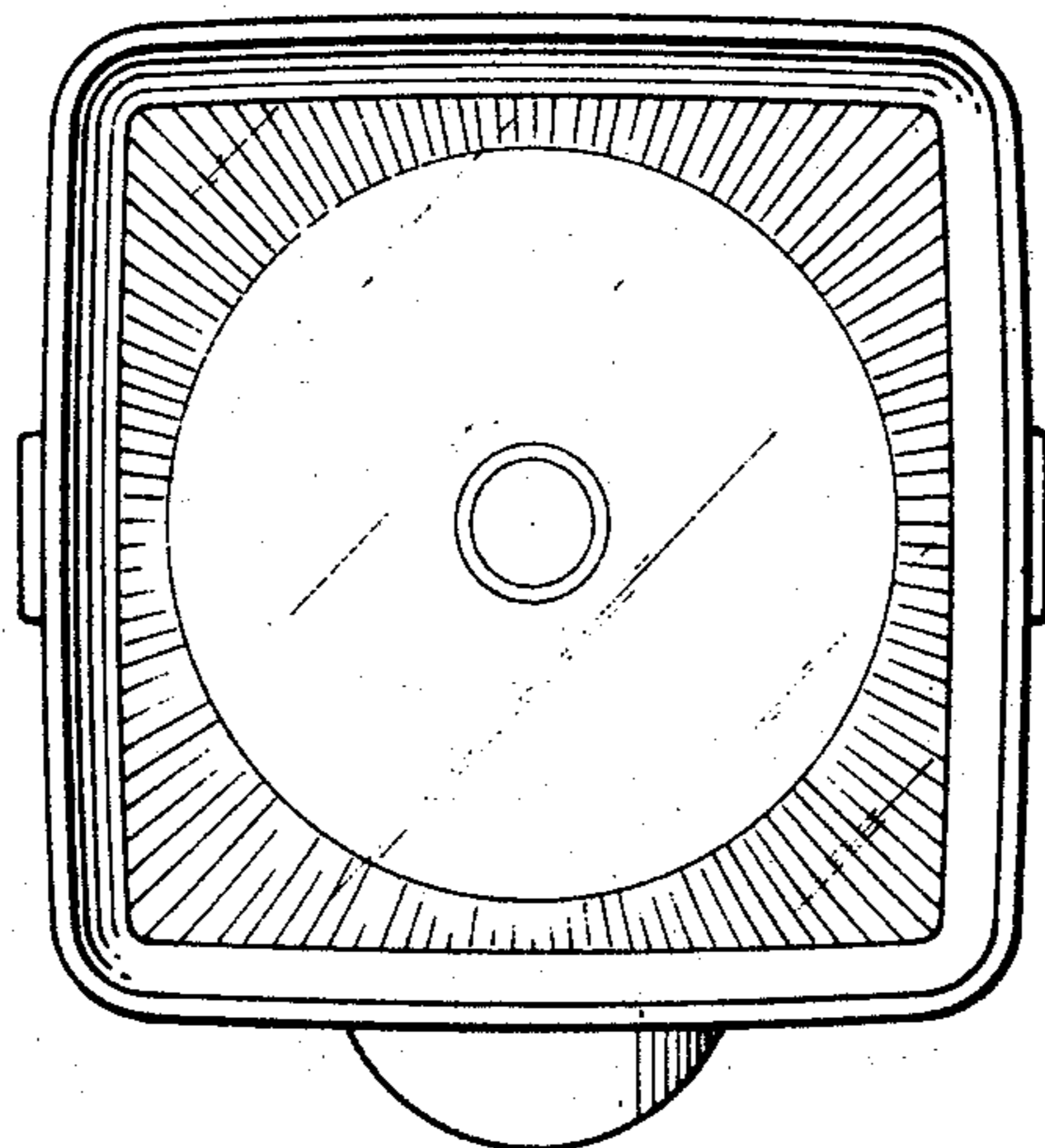


FIG. 5

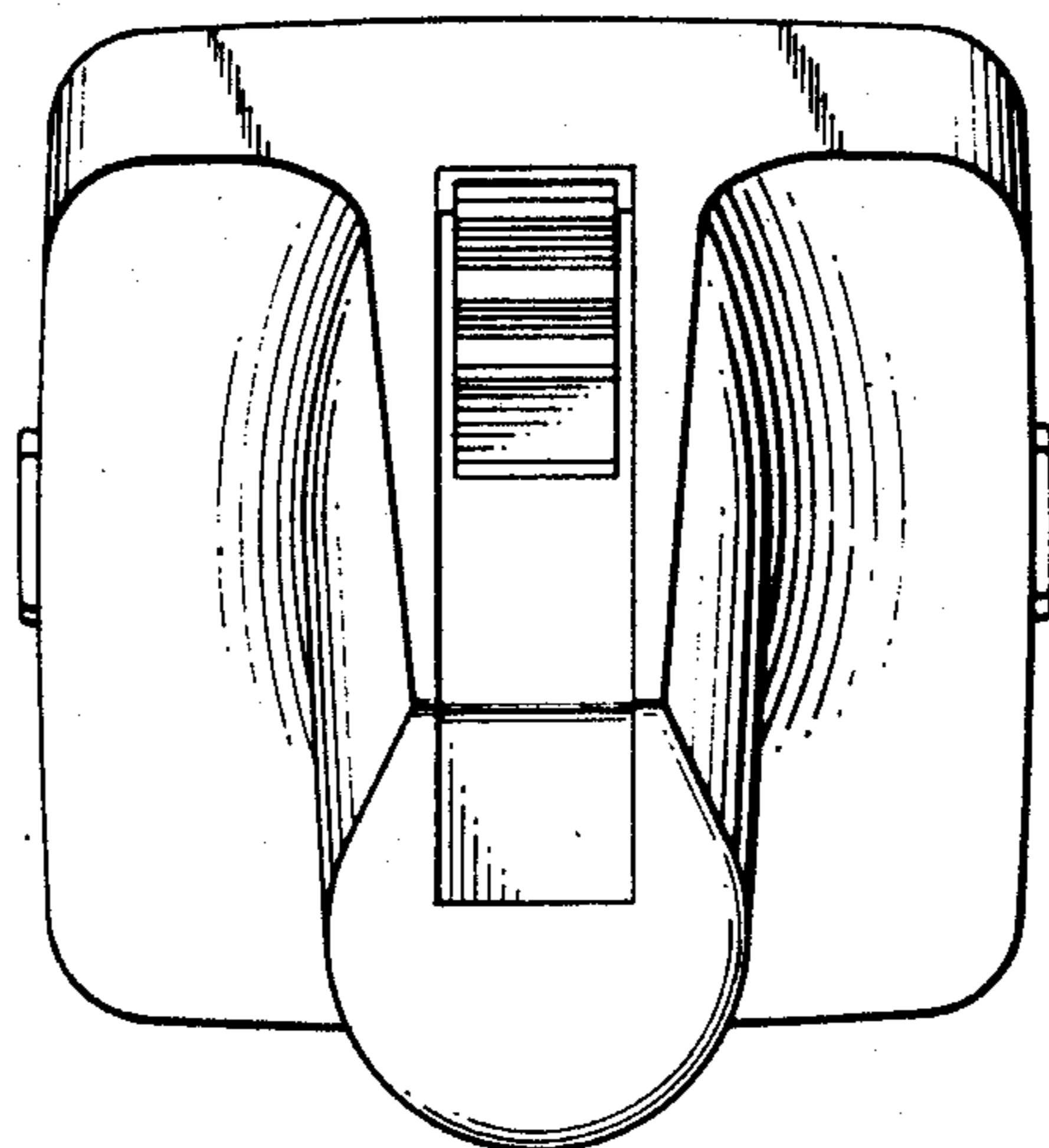


FIG. 6

