

[54] **WINDOW COMPONENT EXTRUSION**

[75] **Inventors: Ludwig Reisinger, McPherson; Dennis Westphal, Galva, both of Kans.**

[73] **Assignee: CertainTeed Corporation, Valley Forge, Pa.**

[**] **Term: 14 Years**

[21] **Appl. No.: 664,403**

[22] **Filed: Oct. 23, 1984**

[52] **U.S. Cl. D25/74**

[58] **Field of Search D25/74-76; 49/404, 413, 419, 501, 504, DIG. 2; 52/211**

[56] **References Cited**

U.S. PATENT DOCUMENTS

D. 283,358	4/1986	Slocomb, Jr.	D25/74
D. 285,612	9/1986	Slocomb, Jr.	D25/74
D. 285,613	9/1986	Slocomb, Jr.	D25/74
4,516,356	5/1985	Delman	49/404

Primary Examiner—James M. Gandy
Attorney, Agent, or Firm—Paul & Paul

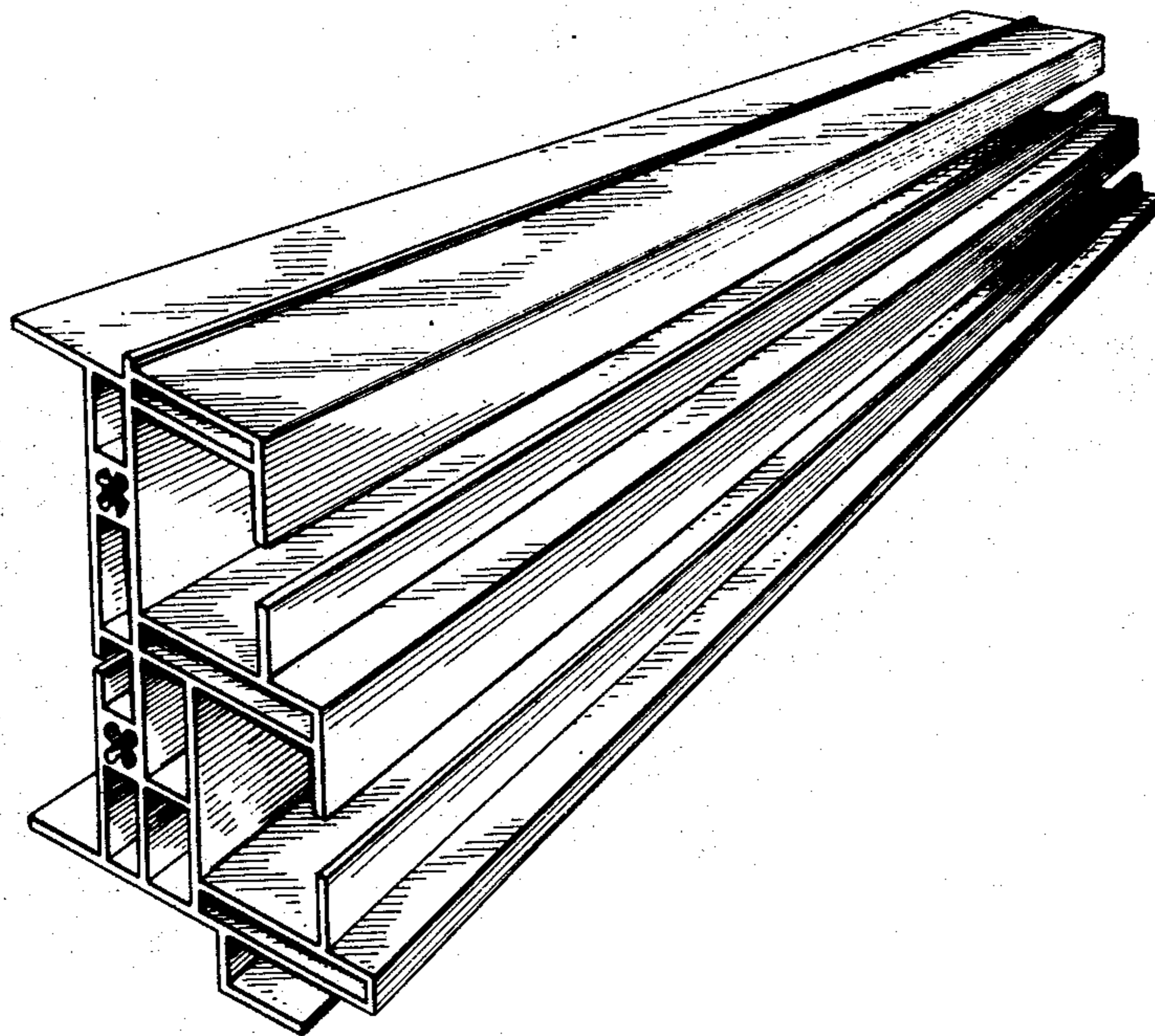
[57] **CLAIM**

The ornamental design for a window component extrusion, as shown and described.

DESCRIPTION

FIG. 1 is a perspective view of a window component extrusion of indeterminate length comprising the new design.

FIG. 2 is an end elevation view thereof.



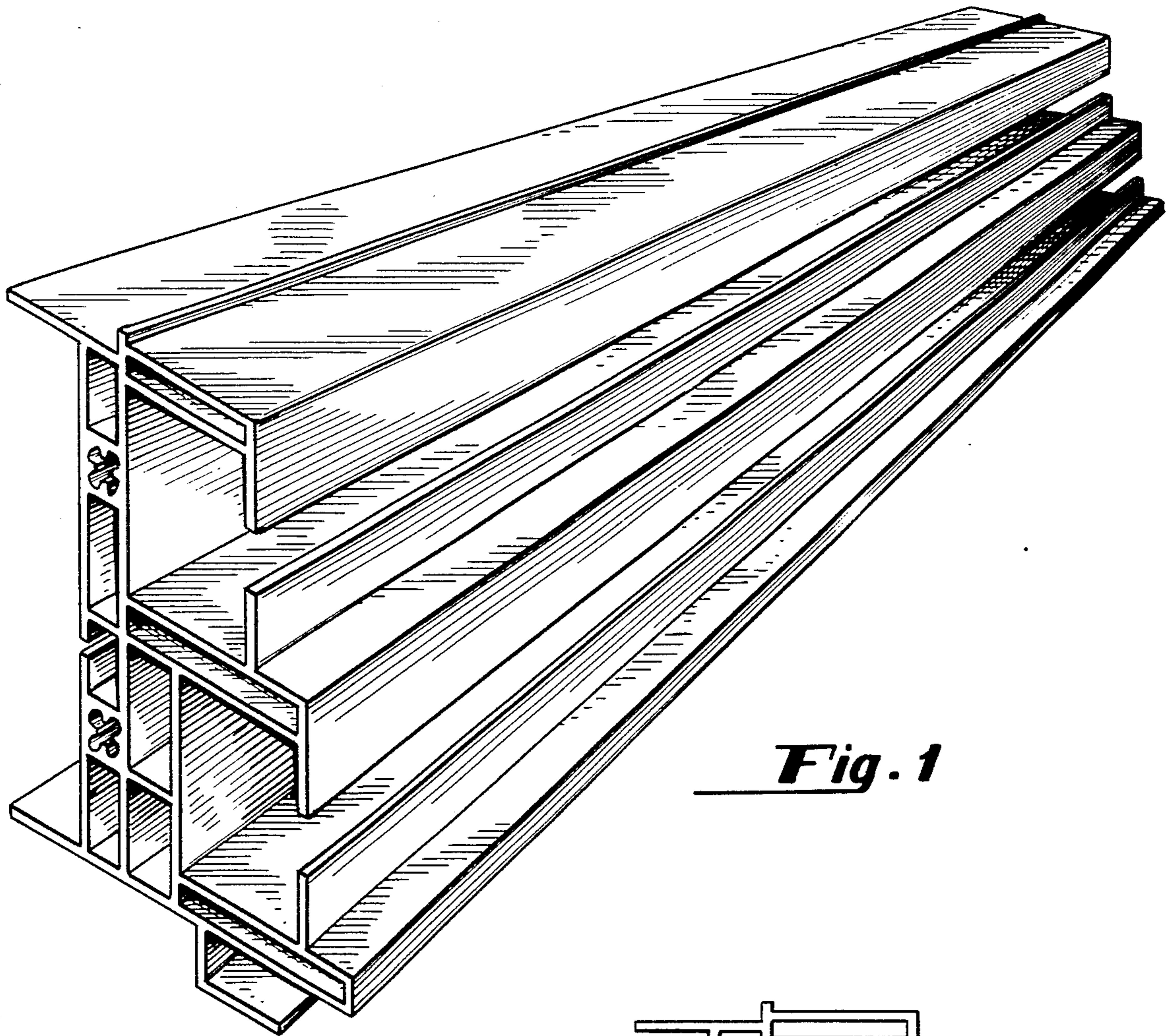


Fig. 1

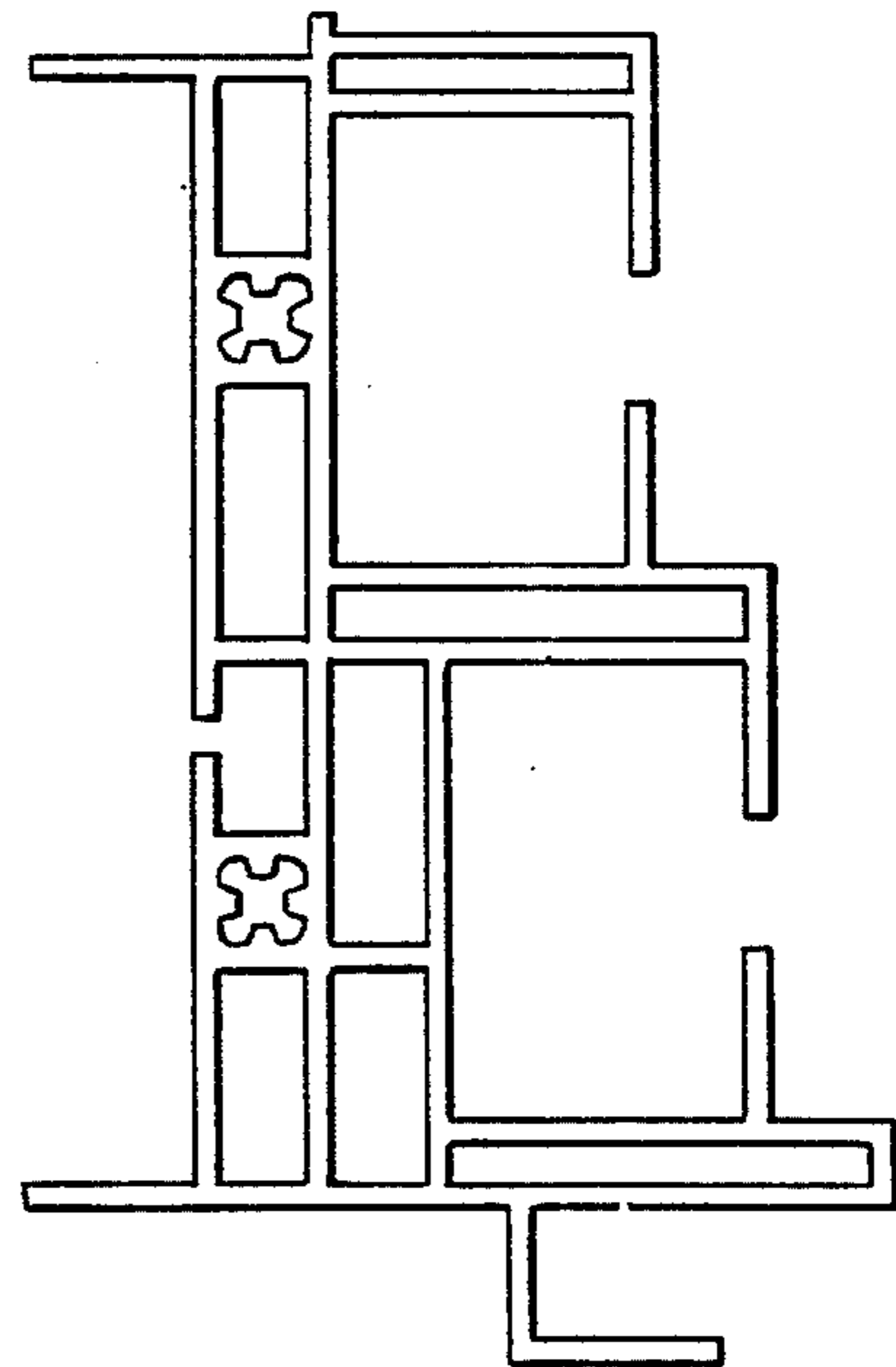


Fig. 2