

[54] EXTRUSION FOR LADDER STEP

[75] Inventors: Ronald A. Minichillo; Wayne R. Broyles, both of Elkhart, Ind.

[73] Assignee: Kemberly, Inc., Elkhart, Ind.

[**] Term: 14 Years

[21] Appl. No.: 662,237

[22] Filed: Oct. 15, 1984

[52] U.S. Cl. D25/69; D25/75

[58] Field of Search D25/69, 74-76; 182/228, 194; 52/731

[56] References Cited

U.S. PATENT DOCUMENTS

D. 258,839	4/1981	Broyles	D25/69
3,944,024	3/1976	Adas	182/194
4,193,477	3/1980	Broyles	182/194

Primary Examiner—James M. Gandy

Attorney, Agent, or Firm—Willian Brinks Olds Hofer Gilson & Lione Ltd.

[57] CLAIM

The ornamental design for an extrusion for ladder step, as shown and described.

DESCRIPTION

FIG. 1 is a perspective view of an extrusion for ladder step, embodying the present design;

FIG. 2 is an elevational view of the end opposite that seen in FIG. 1;

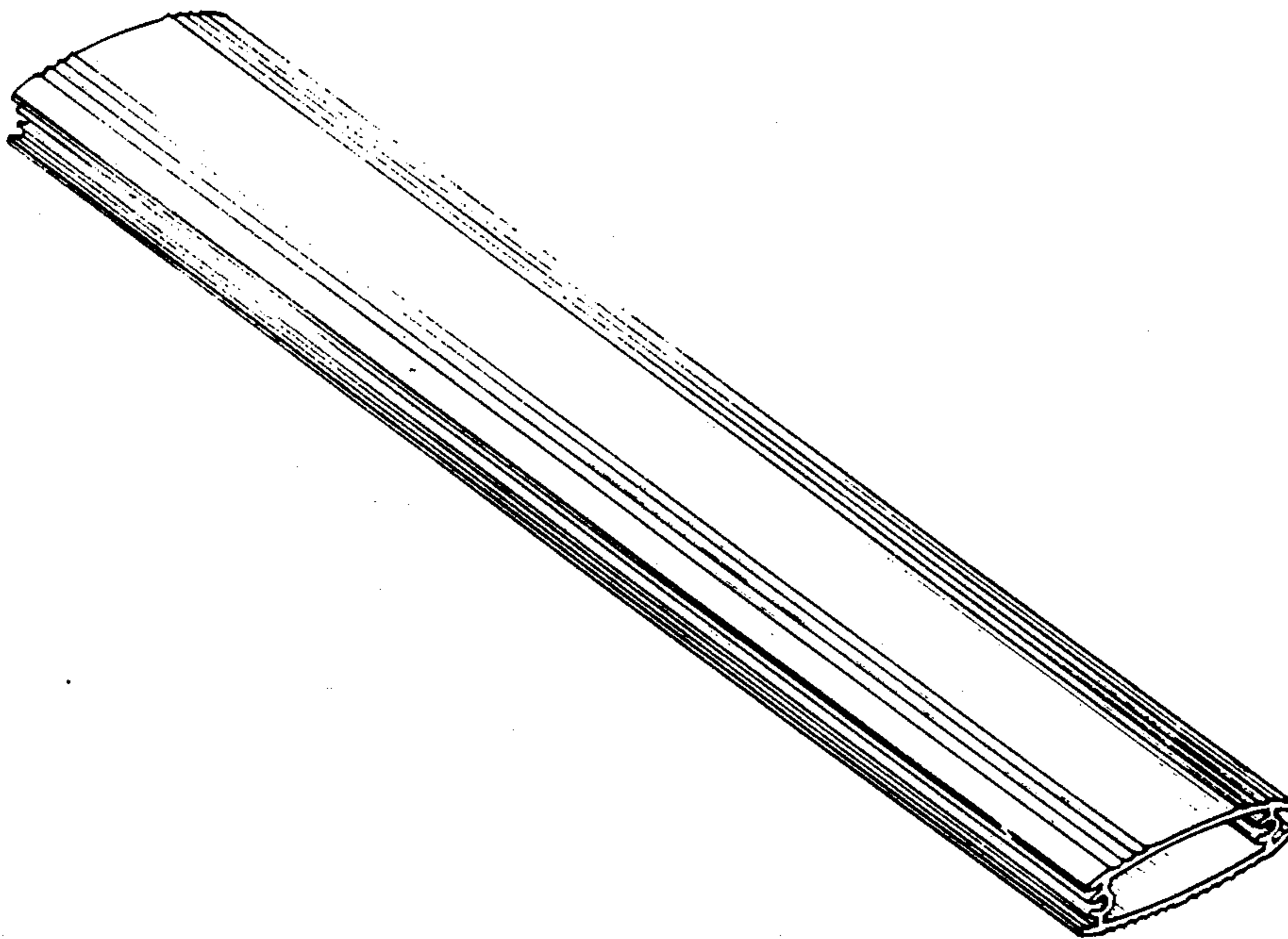
FIG. 3 is a plan view of the side seen in FIG. 1;

FIG. 4 is an elevational view of the edge seen in FIG. 1;

FIG. 5 is a plan view of the side opposite that seen in FIG. 1; and

FIG. 6 is an elevational view of the edge opposite that seen in FIG. 1.

The extrusion for ladder step has been broken away in the center in FIGS. 3, 4, 5 and 6 of the drawing for ease of illustration.



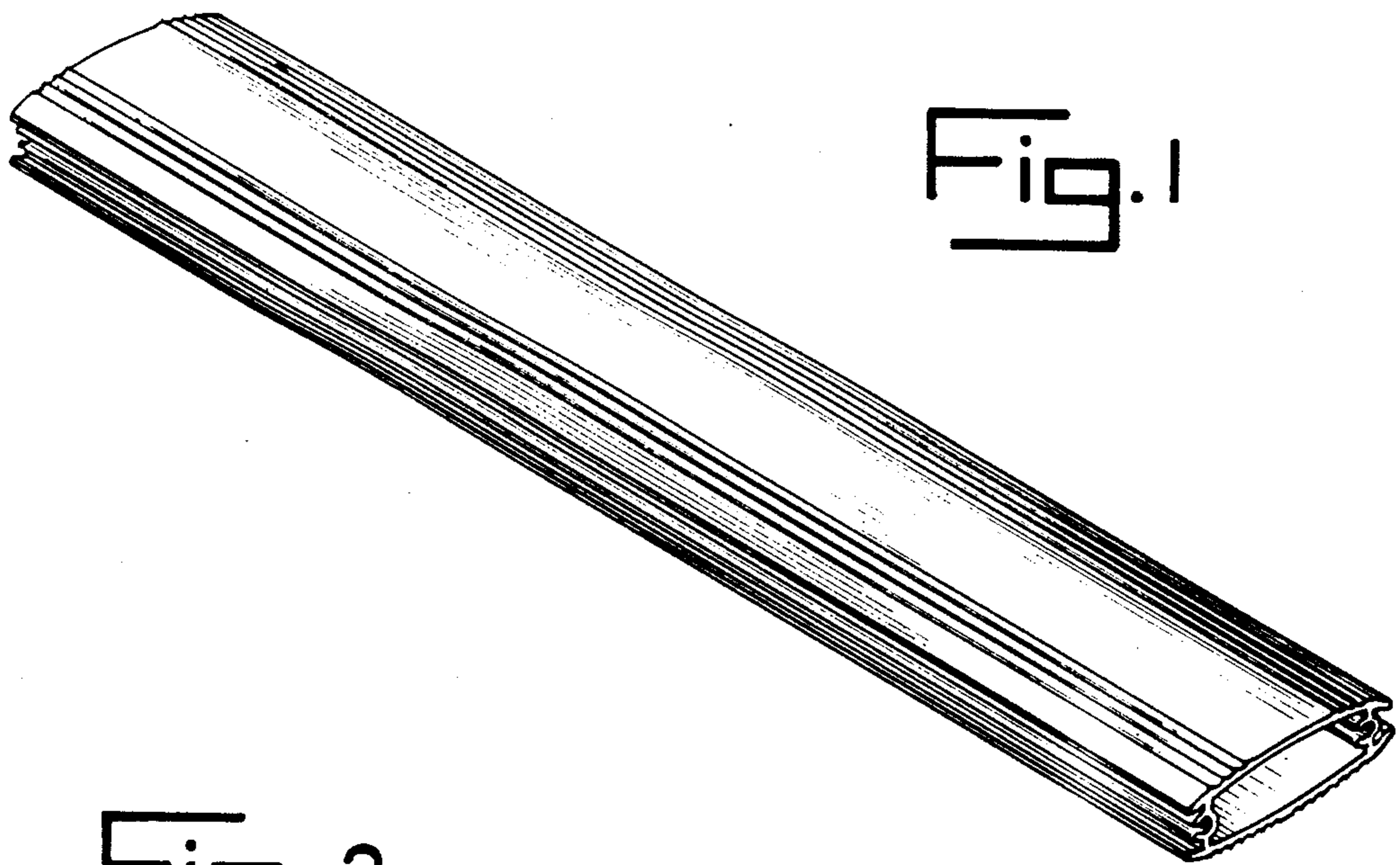


Fig. 1

Fig. 2

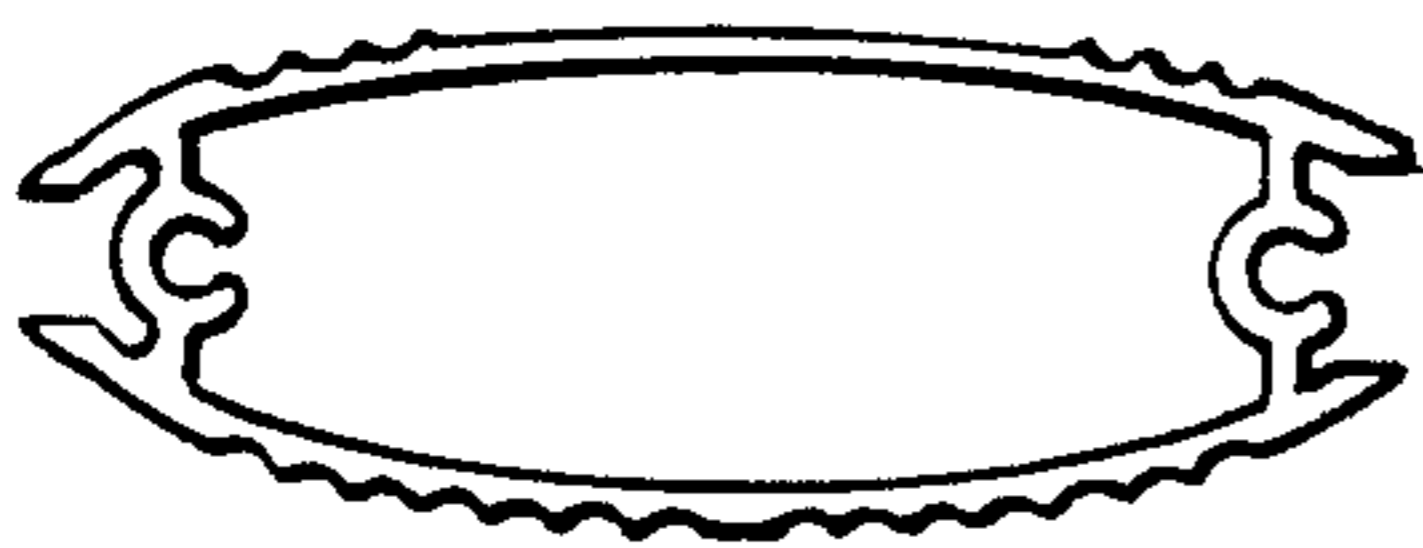


Fig. 3

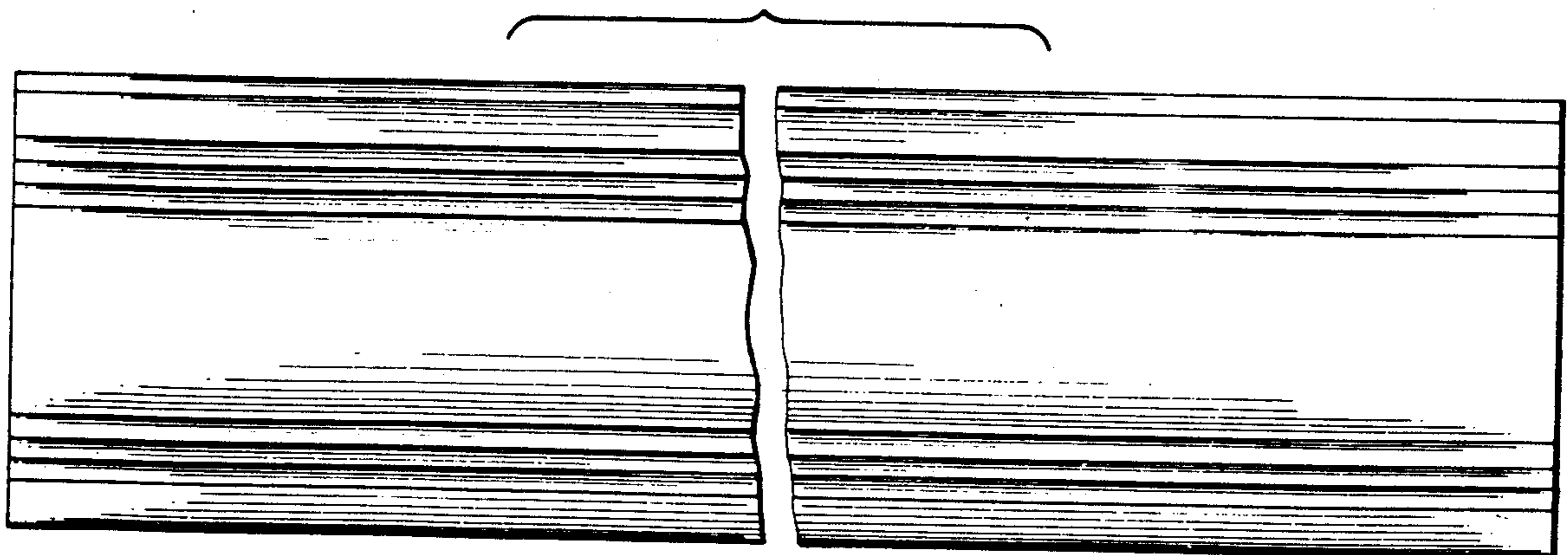


Fig. 4

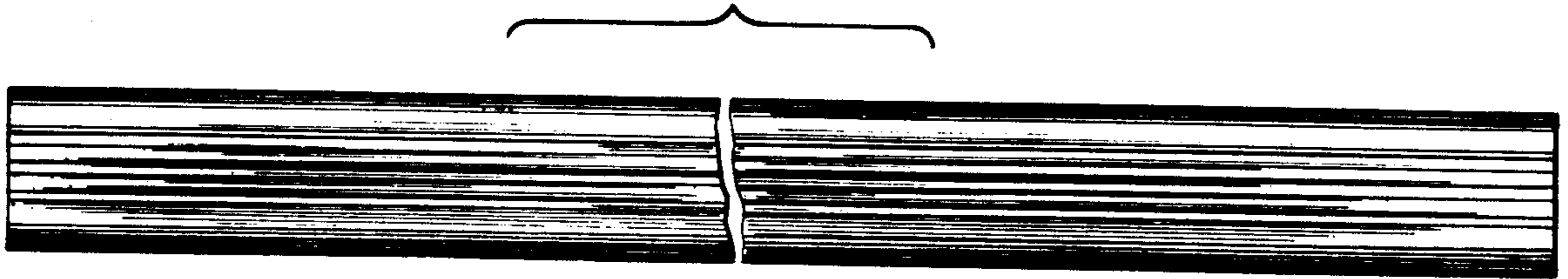


Fig. 5

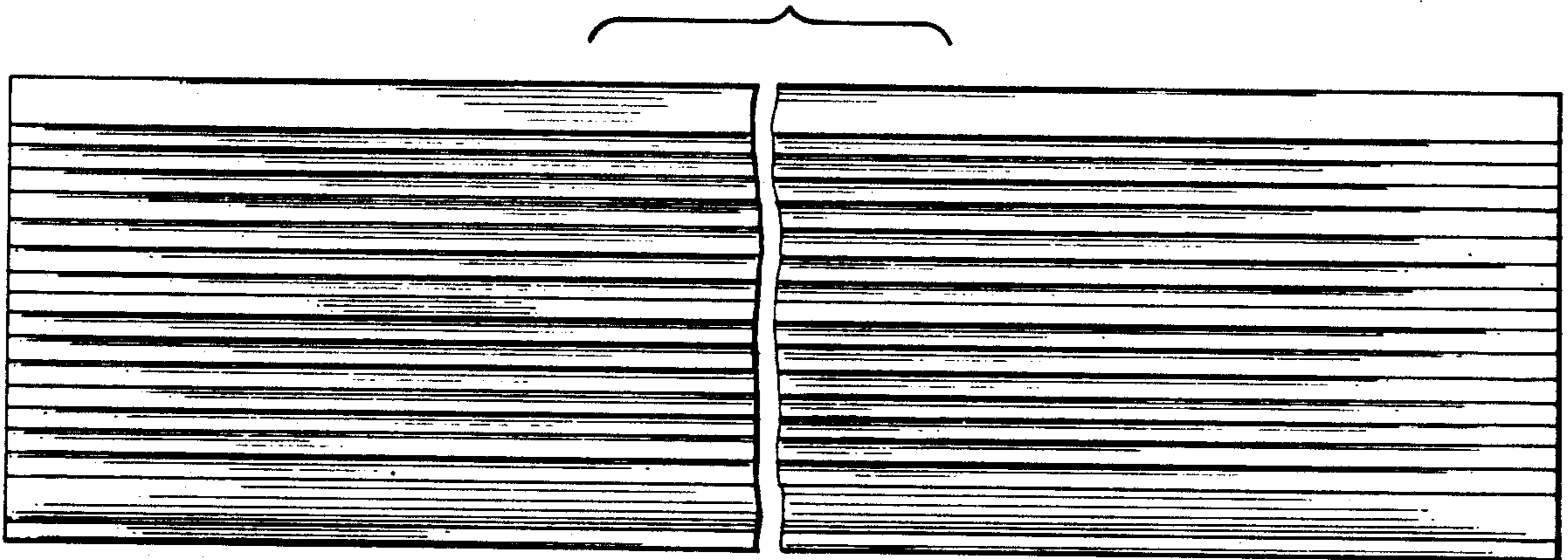


Fig. 6

