

[54] KNEE PROSTHESIS

4,568,348 2/1986 Johnson et al. .... 623/20

[76] Inventor: Ronald L. Huckstep, 108 Sugarloaf Cresc., Castlecrag, N.S.W., Australia, 2068

Primary Examiner—A. Hugo Word  
Assistant Examiner—Stella M. Reid  
Attorney, Agent, or Firm—Dressler, Goldsmith, Shore, Sutker & Milnamow, Ltd.

[\*\*] Term: 14 Years

[57] CLAIM

[21] Appl. No.: 633,630

The ornamental design for a knee prosthesis, as shown and described.

[22] Filed: Jul. 23, 1984

DESCRIPTION

[30] Foreign Application Priority Data

Feb. 3, 1984 [AU] Australia ..... 6411/84

[52] U.S. Cl. .... D24/33

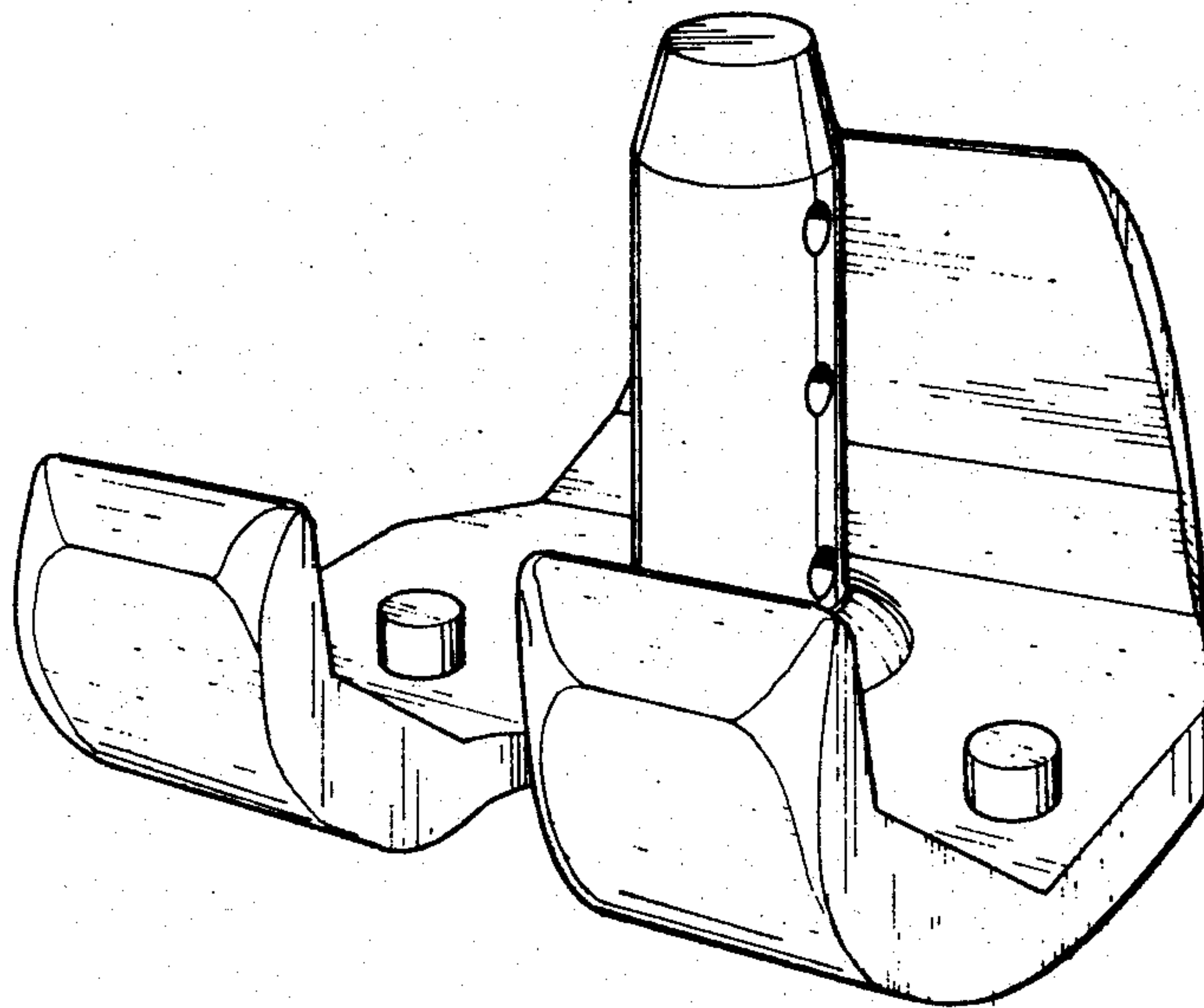
[58] Field of Search ..... D24/33; 128/92 C; 623/11, 20, 39

FIG. 1 is a perspective view of a knee prosthesis showing my new design;  
FIG. 2 is a front elevational view thereof;  
FIG. 3 is a top plan view thereof;  
FIG. 4 is a rear elevational view thereof;  
FIG. 5 is a bottom plan view thereof; and  
FIG. 6 is a cross-sectional view taken along line VI—VI of FIG. 2.  
FIG. 7 is a side elevational view looking from the right side in FIG. 1; and  
FIG. 8 is a side elevational view looking from the left side in FIG. 1.

[56] References Cited

U.S. PATENT DOCUMENTS

- D. 245,920 9/1977 Shen ..... D24/33
- 4,224,697 9/1980 Murray et al. .... 623/20
- 4,262,368 4/1981 Lacey ..... 623/20
- 4,462,120 7/1984 Rambert et al. .... 623/20



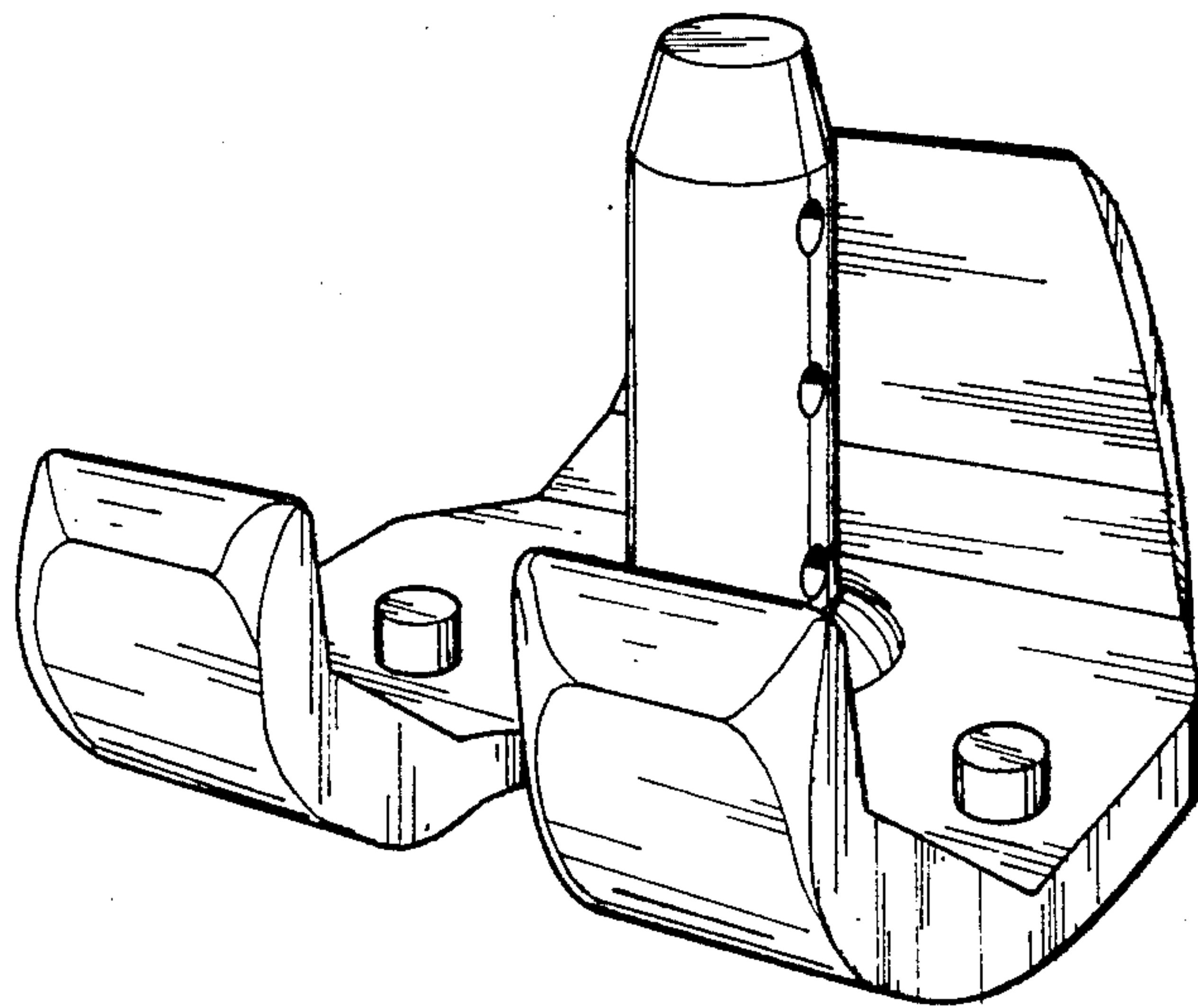


FIG. 1

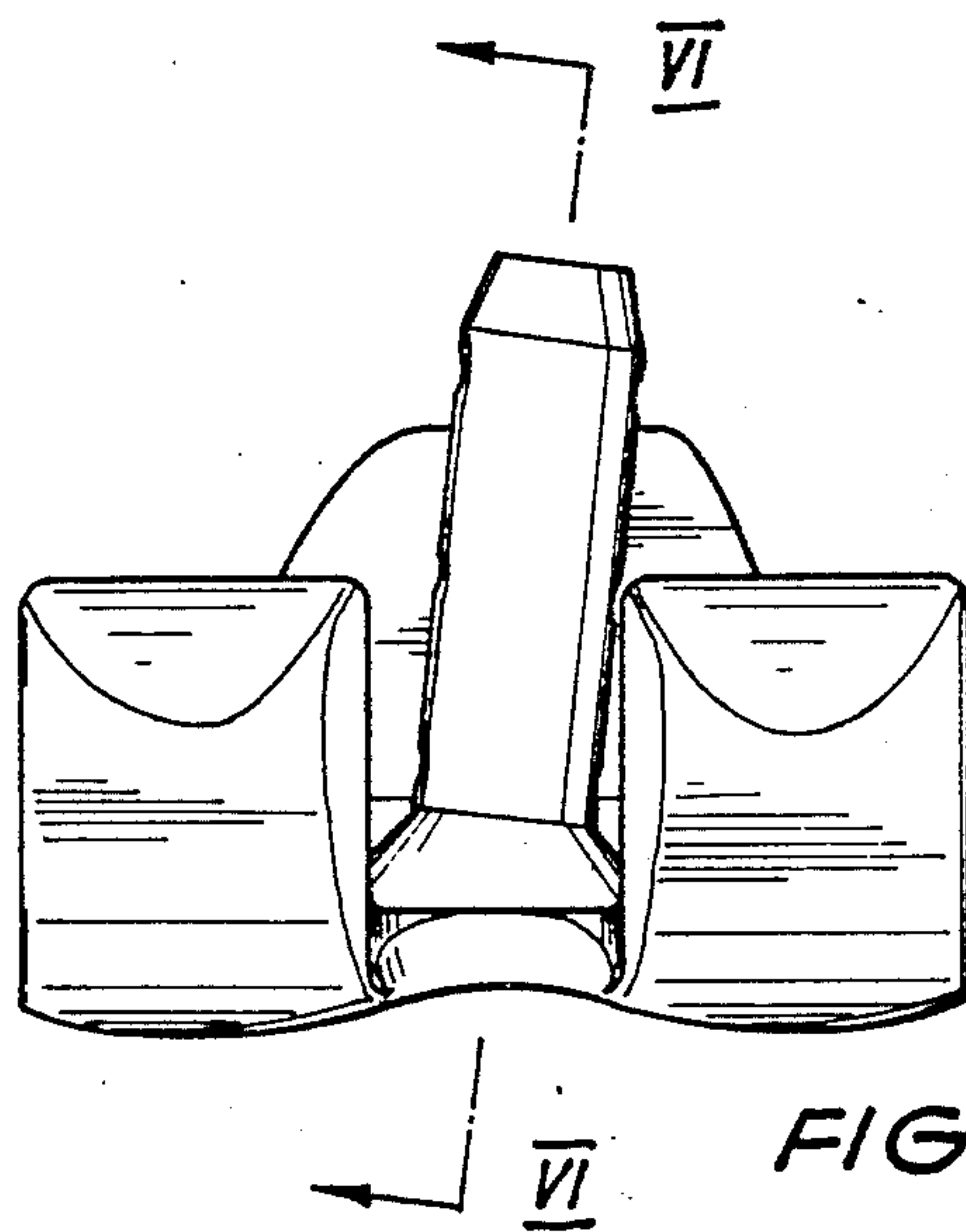


FIG. 2

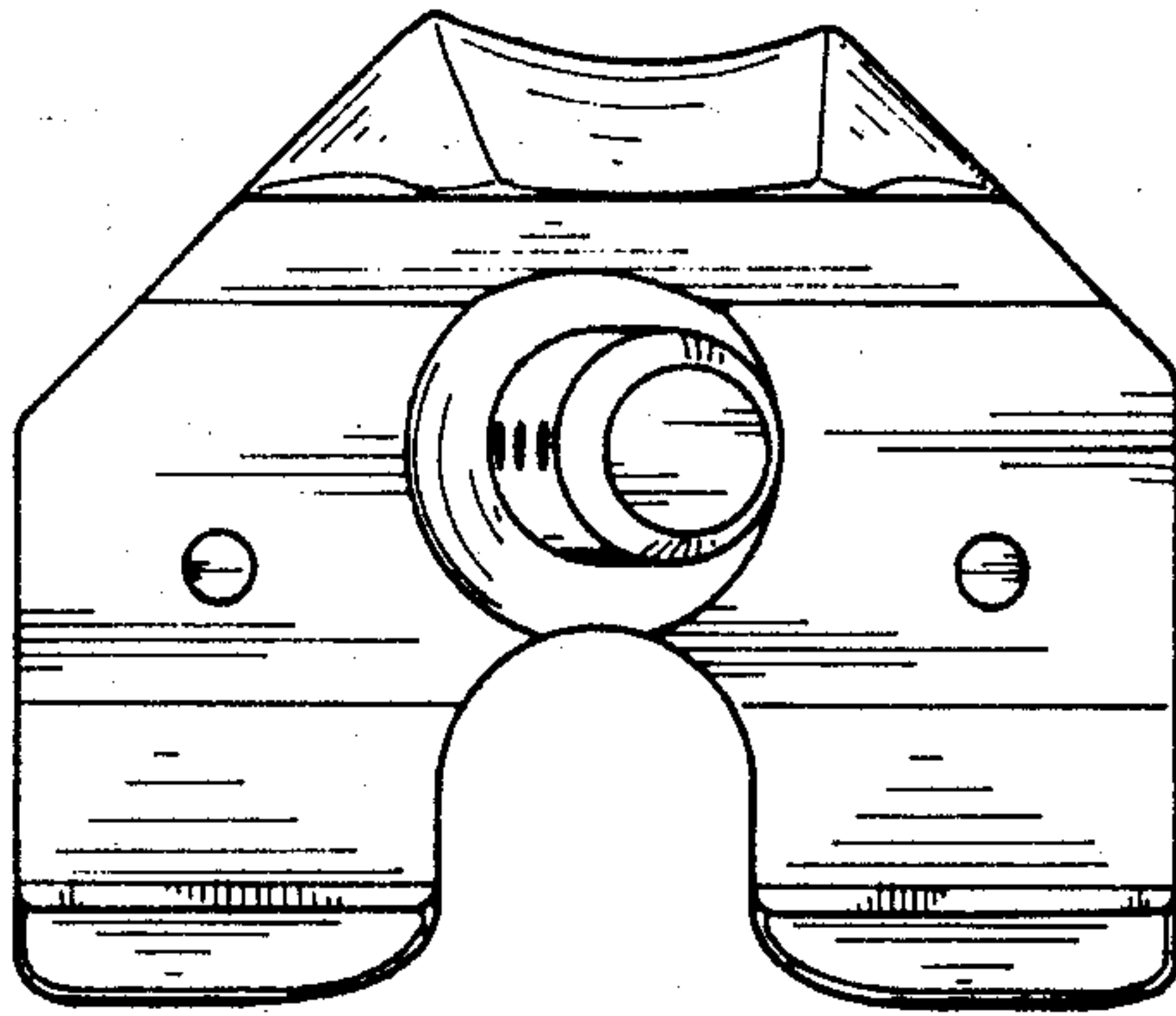


FIG. 3

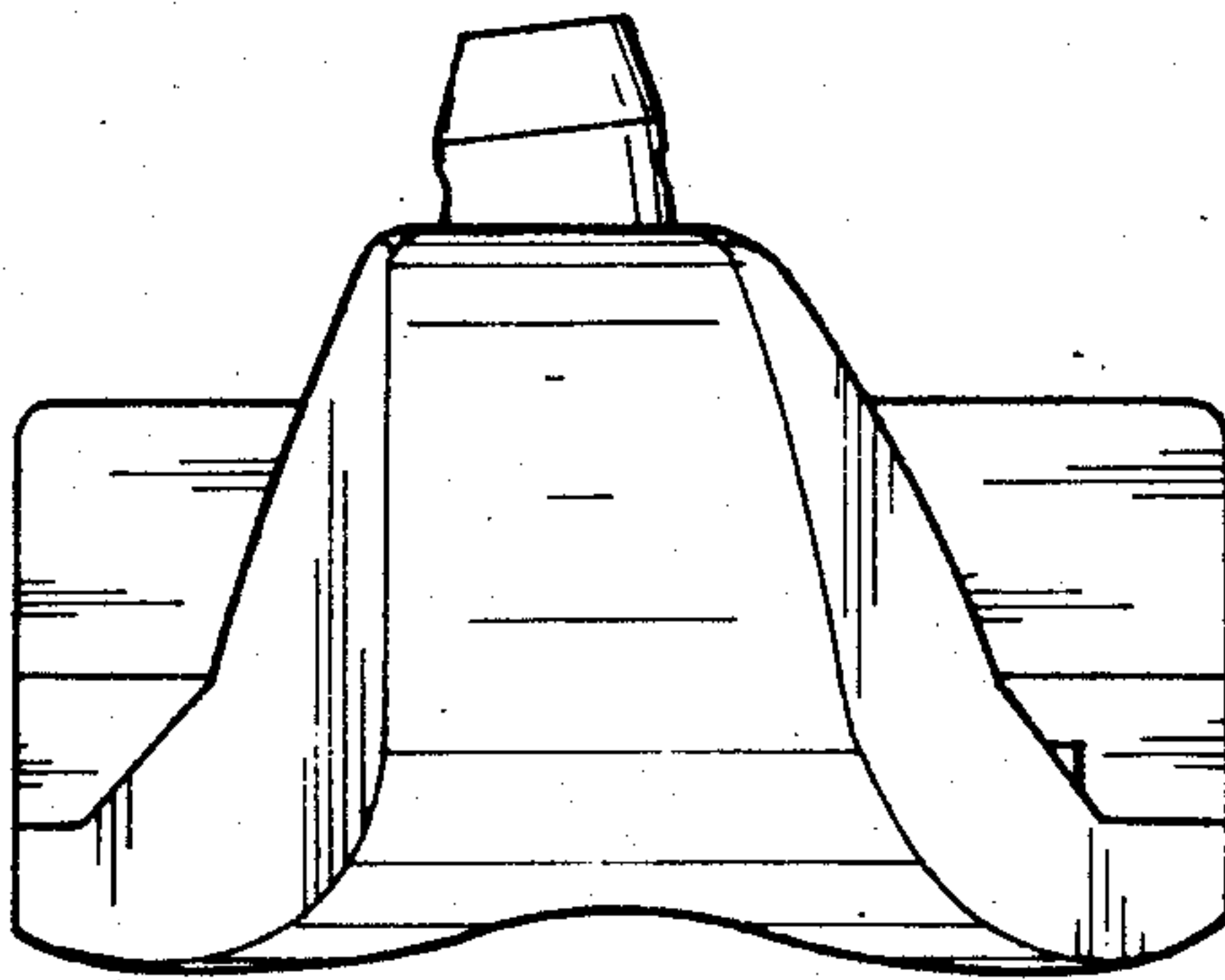


FIG. 4

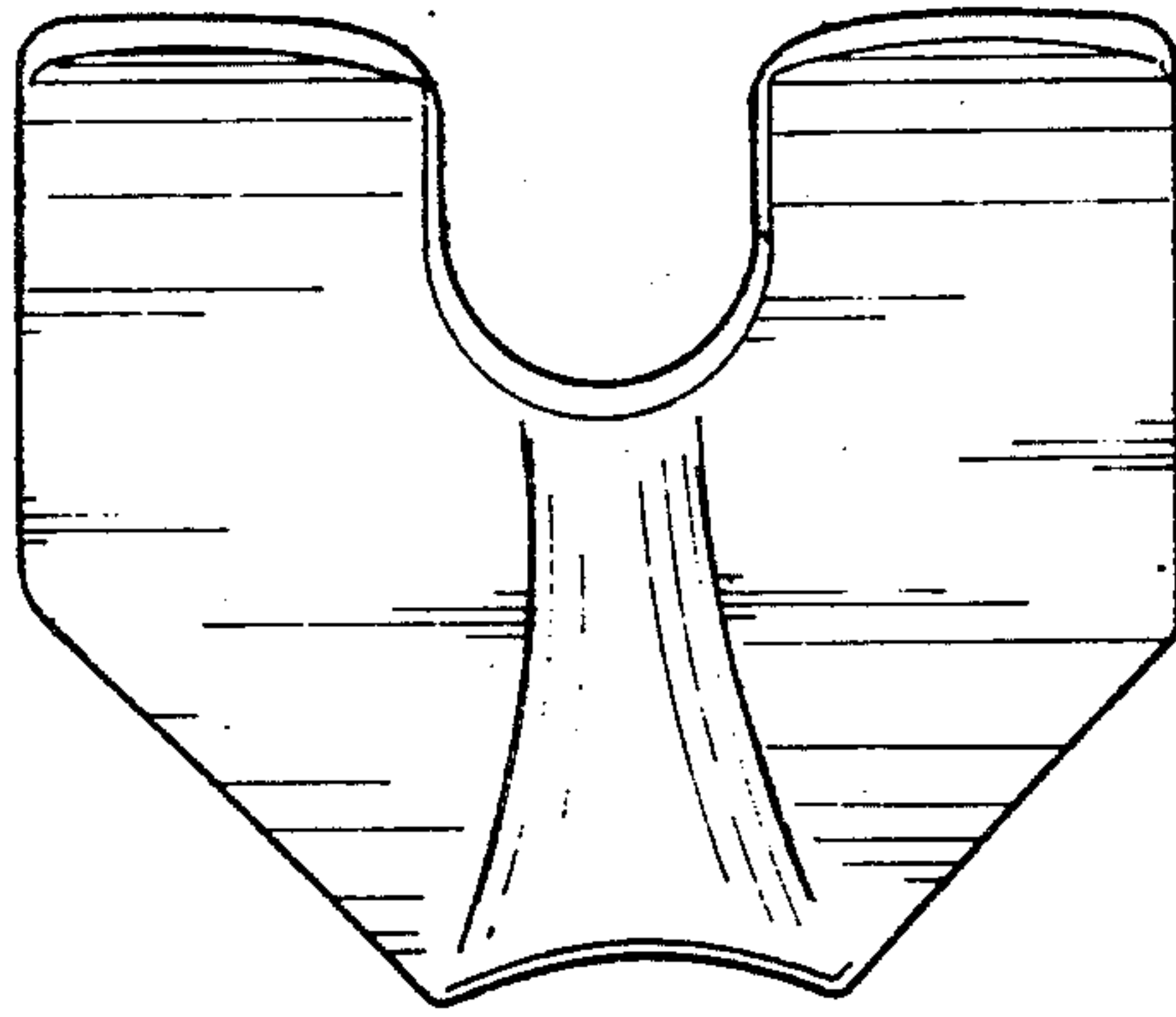


FIG. 5

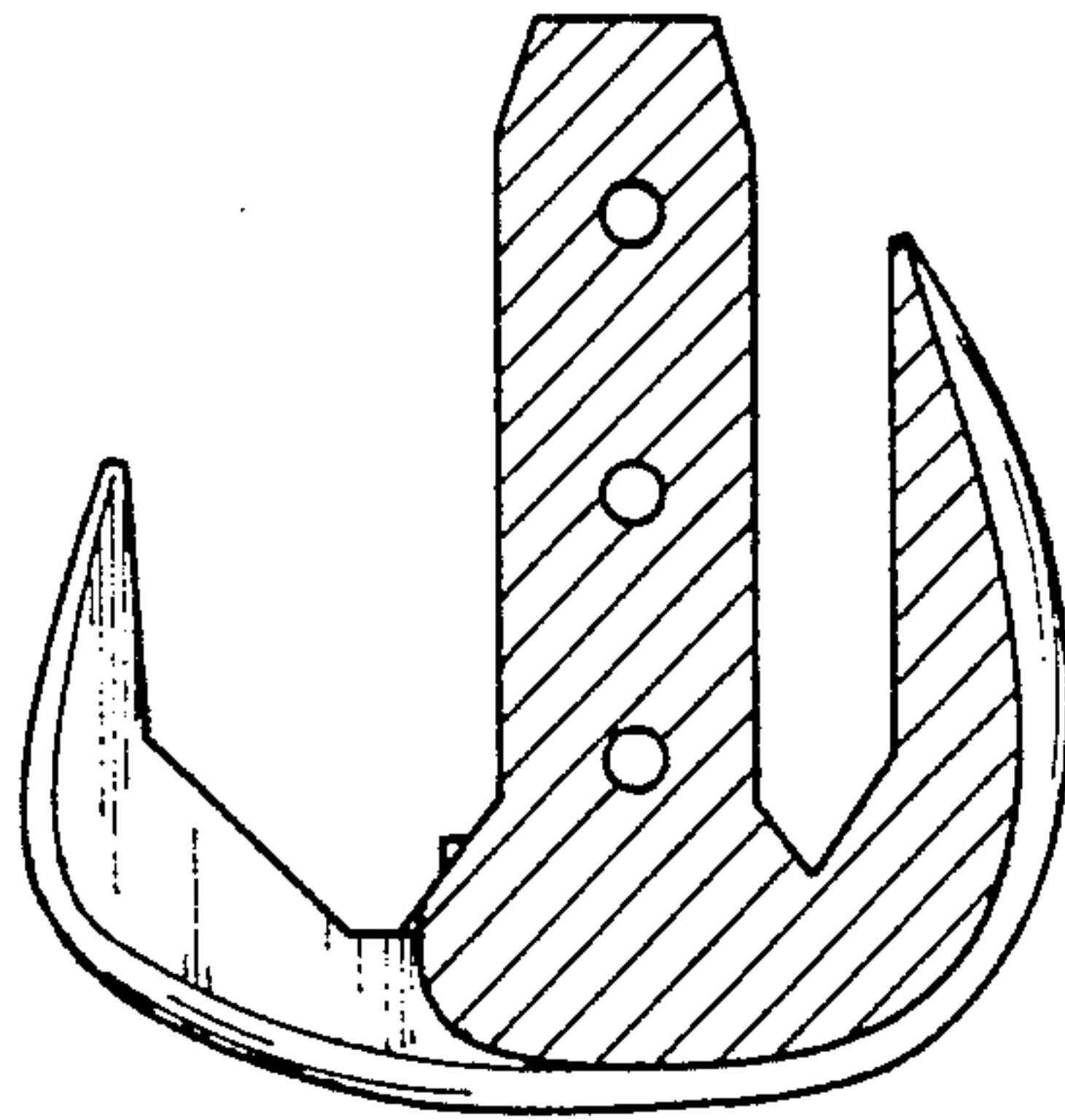


FIG. 6

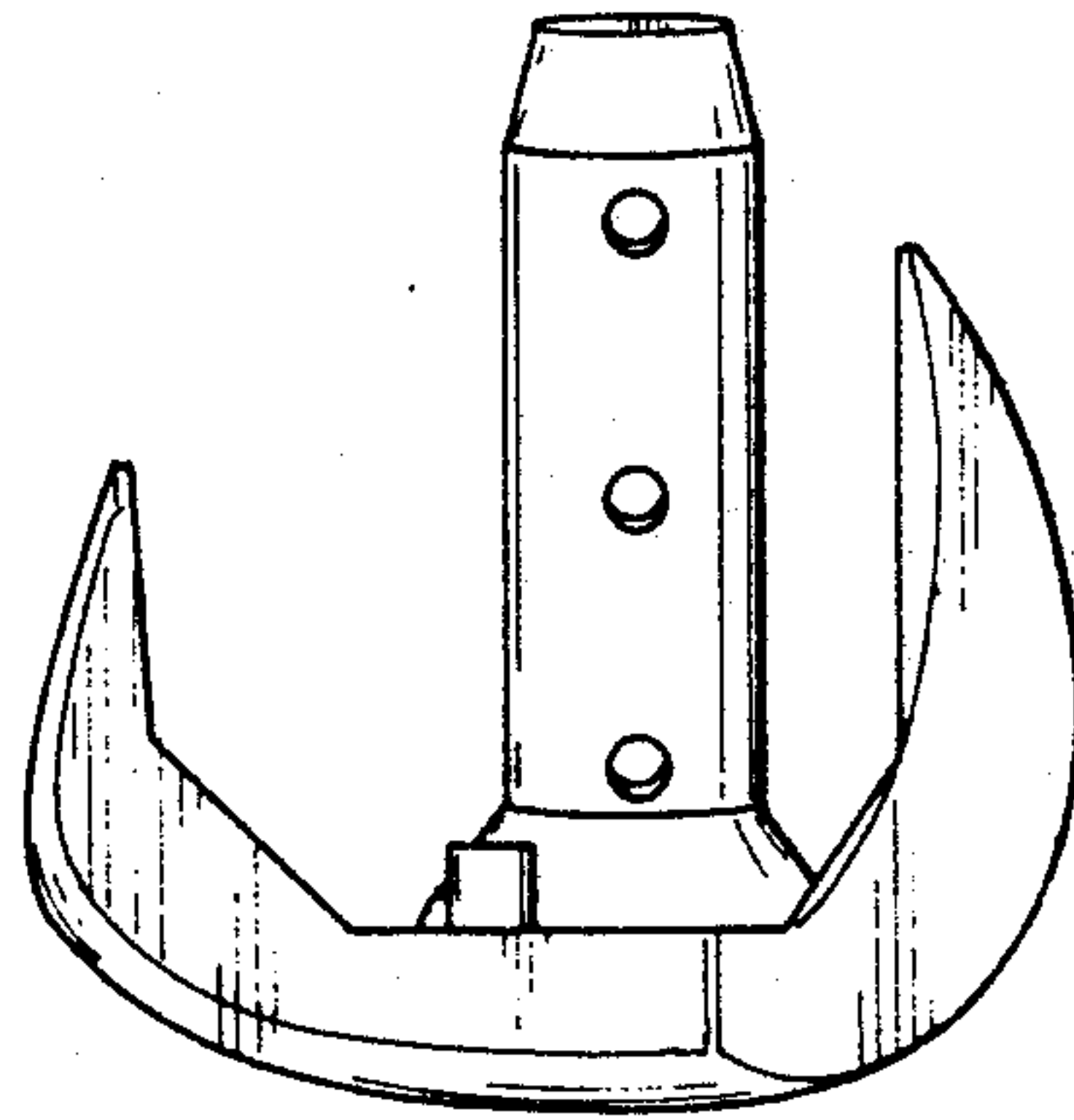


FIG. 7

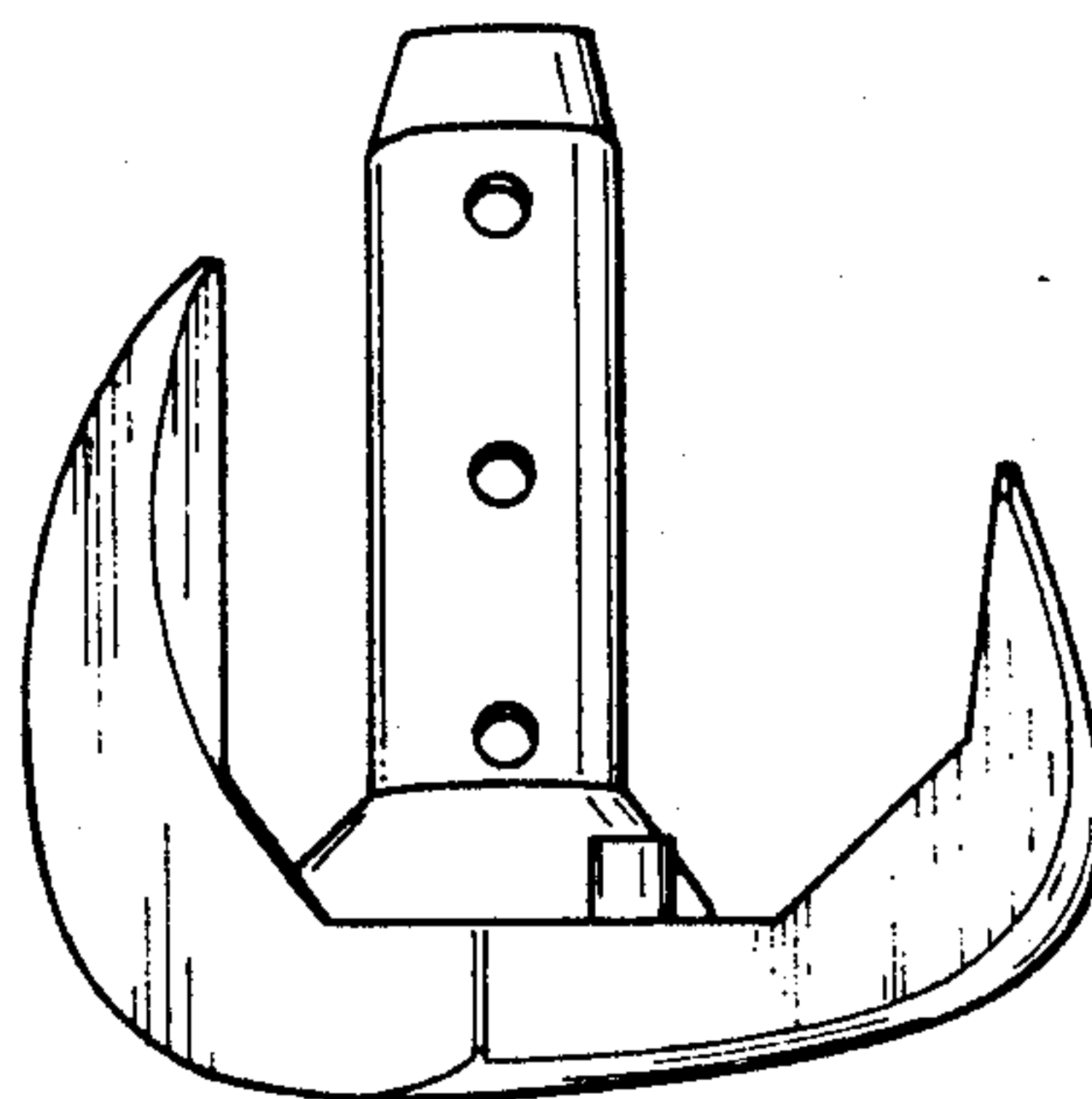


FIG. 8