

[54] PORTABLE X-RAY FILM PRINTER FOR IMPRINTING PATIENT INFORMATION OR THE LIKE ON UNEXPOSED PORTION OF X-RAY FILM

[75] Inventor: Roderique S. Gemmill, Davie, Fla.

[73] Assignee: Radiation Concepts, Inc., Davie, Fla.

[**] Term: 14 Years

[21] Appl. No.: 703,115

[22] Filed: Feb. 19, 1985

[52] U.S. Cl. D24/2; D16/41

[58] Field of Search D24/2, 7; 378/162, 165; D16/27, 30, 32, 38, 41

[56] References Cited

U.S. PATENT DOCUMENTS

2,077,500	4/1937	Townsend et al.	378/165
2,172,528	9/1939	Auer	378/165
2,837,658	6/1958	Limbach	378/165
3,668,394	6/1972	Panzer	378/165

4,194,122	3/1980	Mitchell et al.	378/165
4,429,412	1/1984	Pierce et al.	378/165

Primary Examiner—A. Hugo Word
Assistant Examiner—Stella M. Reid
Attorney, Agent, or Firm—Richard M. Saccocio

[57] CLAIM

The ornamental design for portable x-ray film printer for imprinting patient information or the like on unexposed portion of x-ray film, as shown and described.

DESCRIPTION

FIG. 1 is a perspective view of a portable x-ray film printer for imprinting patient information or the like on unexposed portion of x-ray film showing my new design in non-operating mode;

FIG. 2 is a top plan view thereof in operating mode;

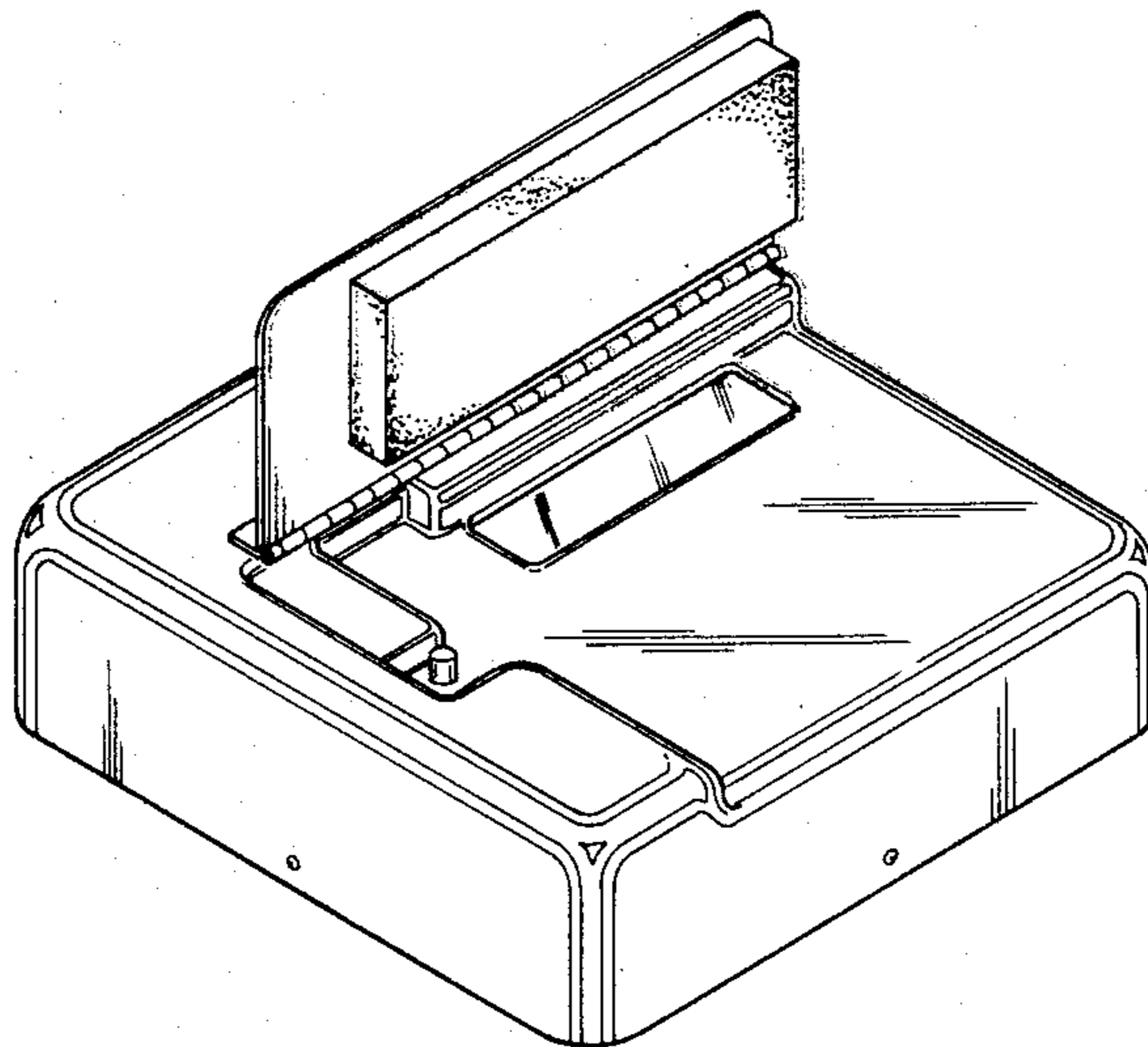
FIG. 3 is a right side elevational view thereof;

FIG. 4 is a front elevational view thereof;

FIG. 5 is a left side elevational view thereof;

FIG. 6 is a bottom plan view thereof; and

FIG. 7 is a rear elevational view thereof.



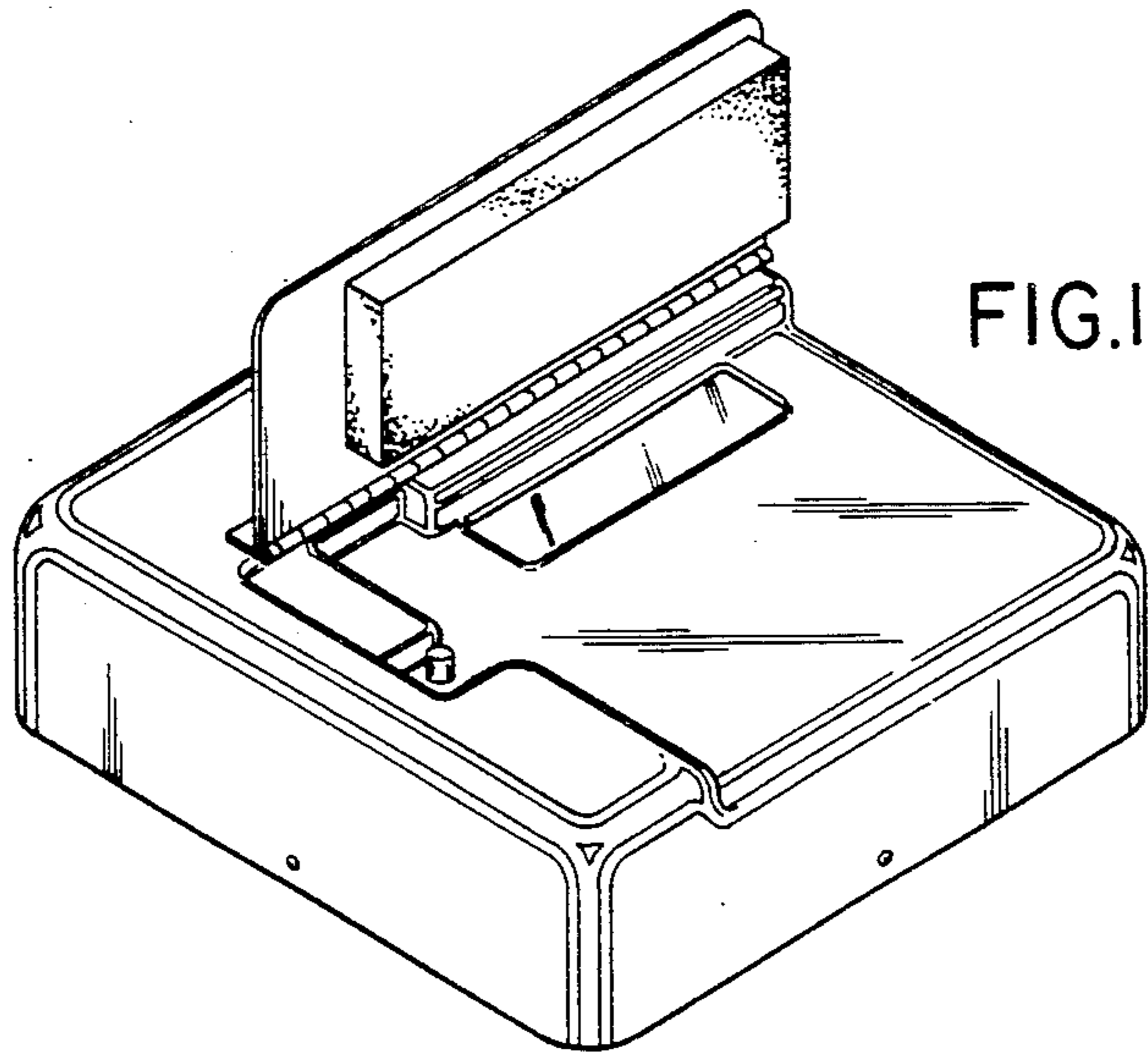


FIG. 1

FIG. 2

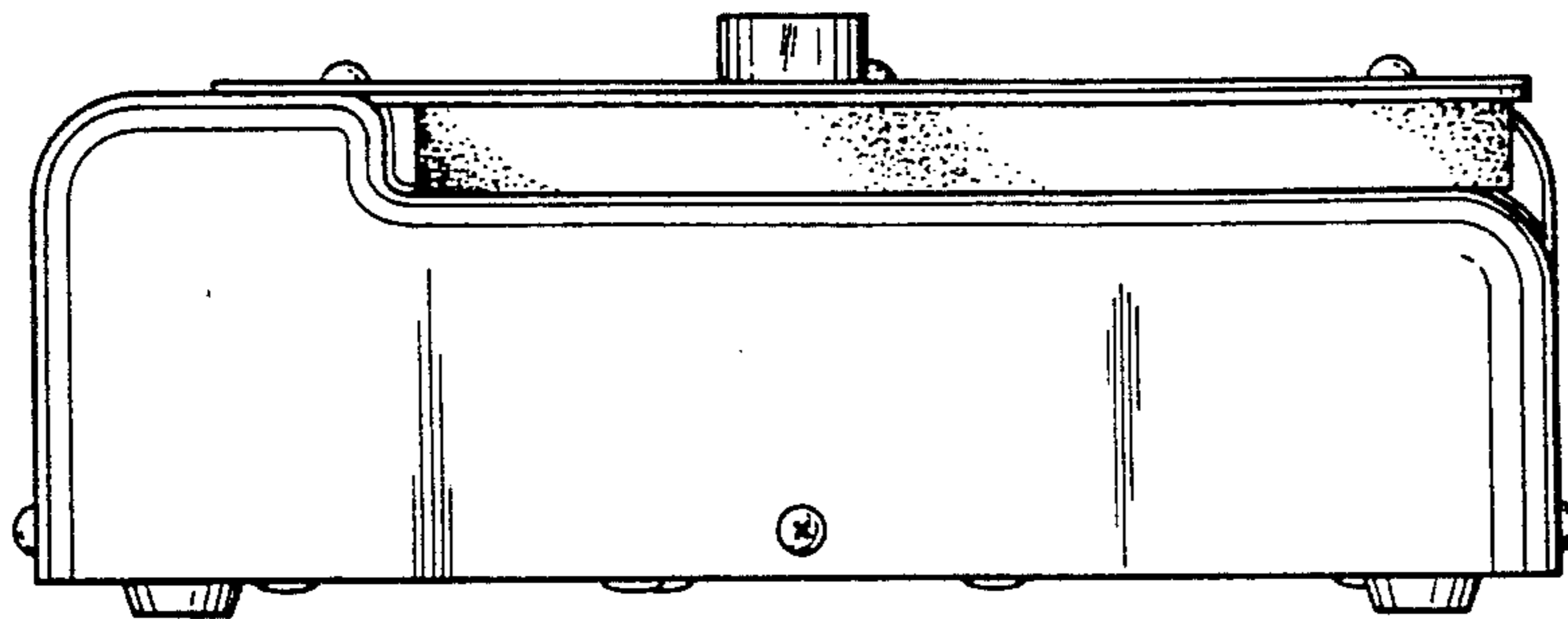
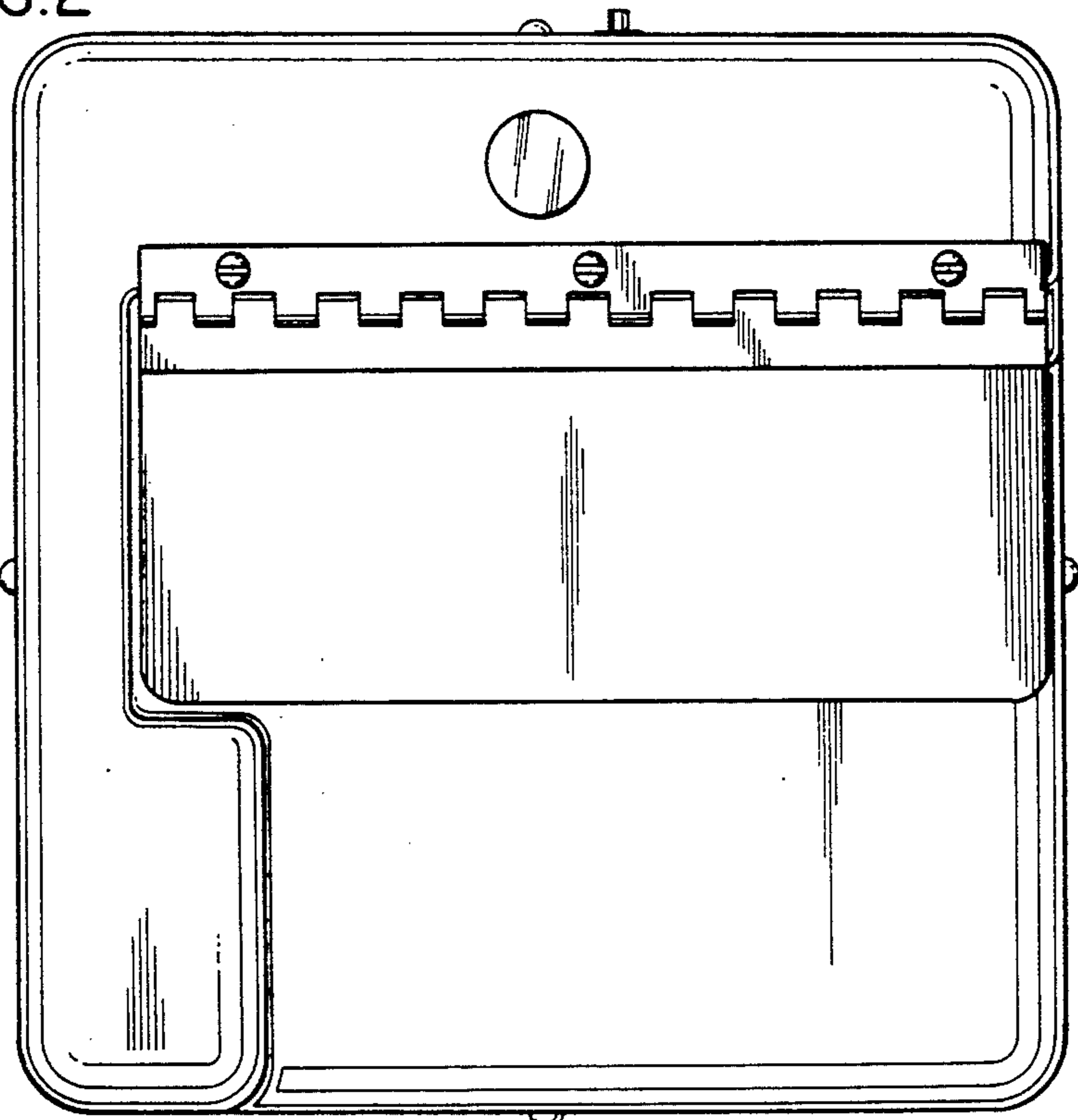


FIG. 4

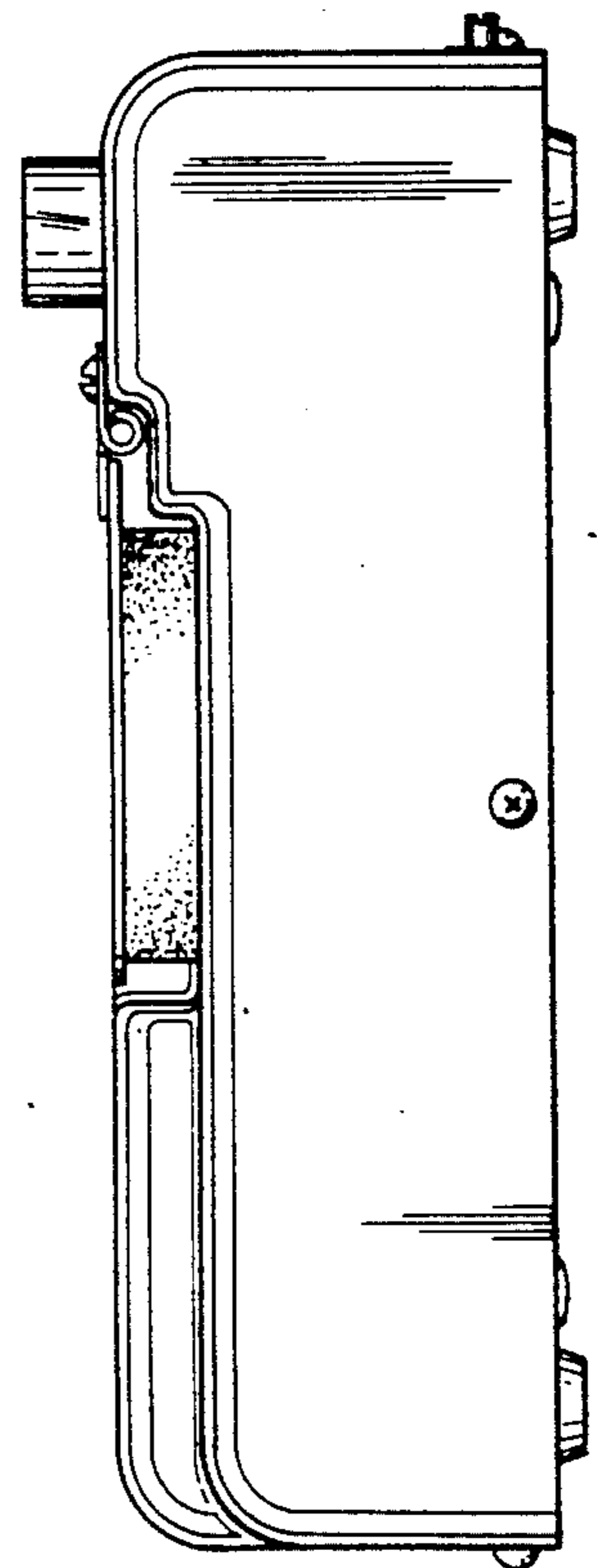


FIG. 3

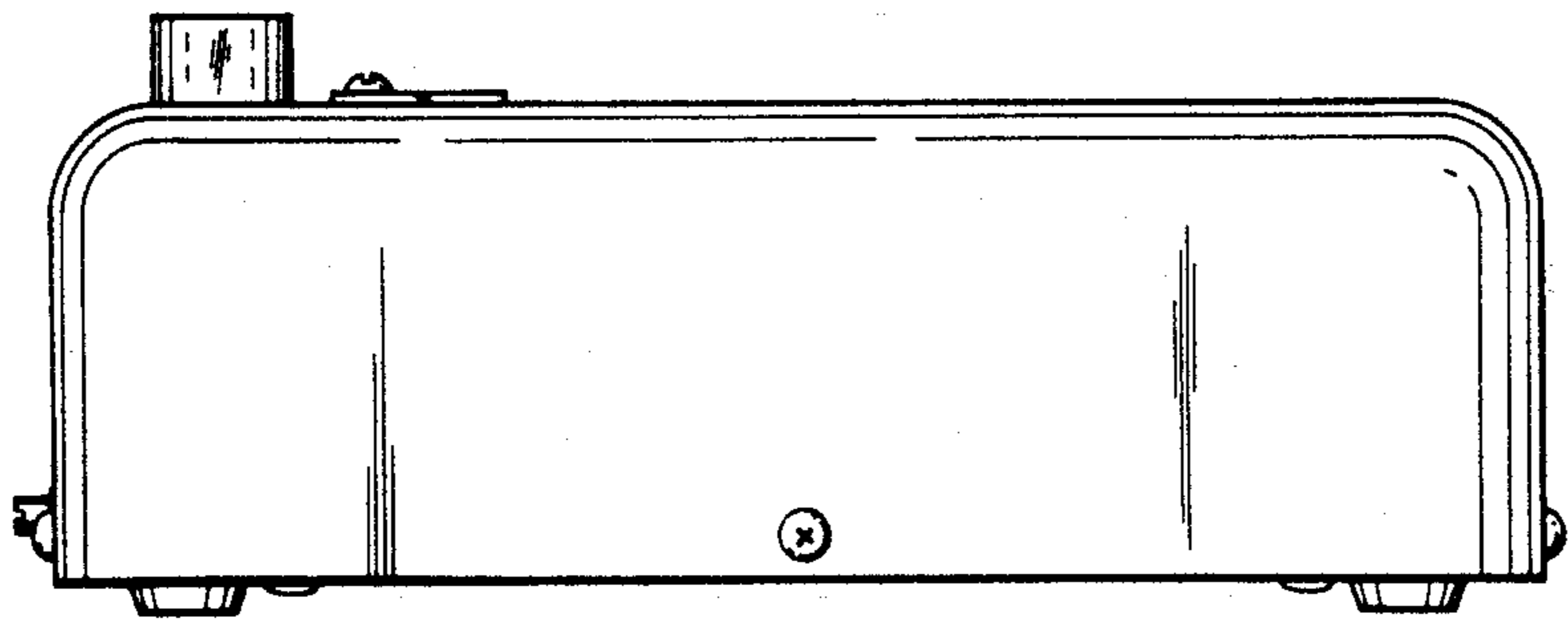


FIG. 5

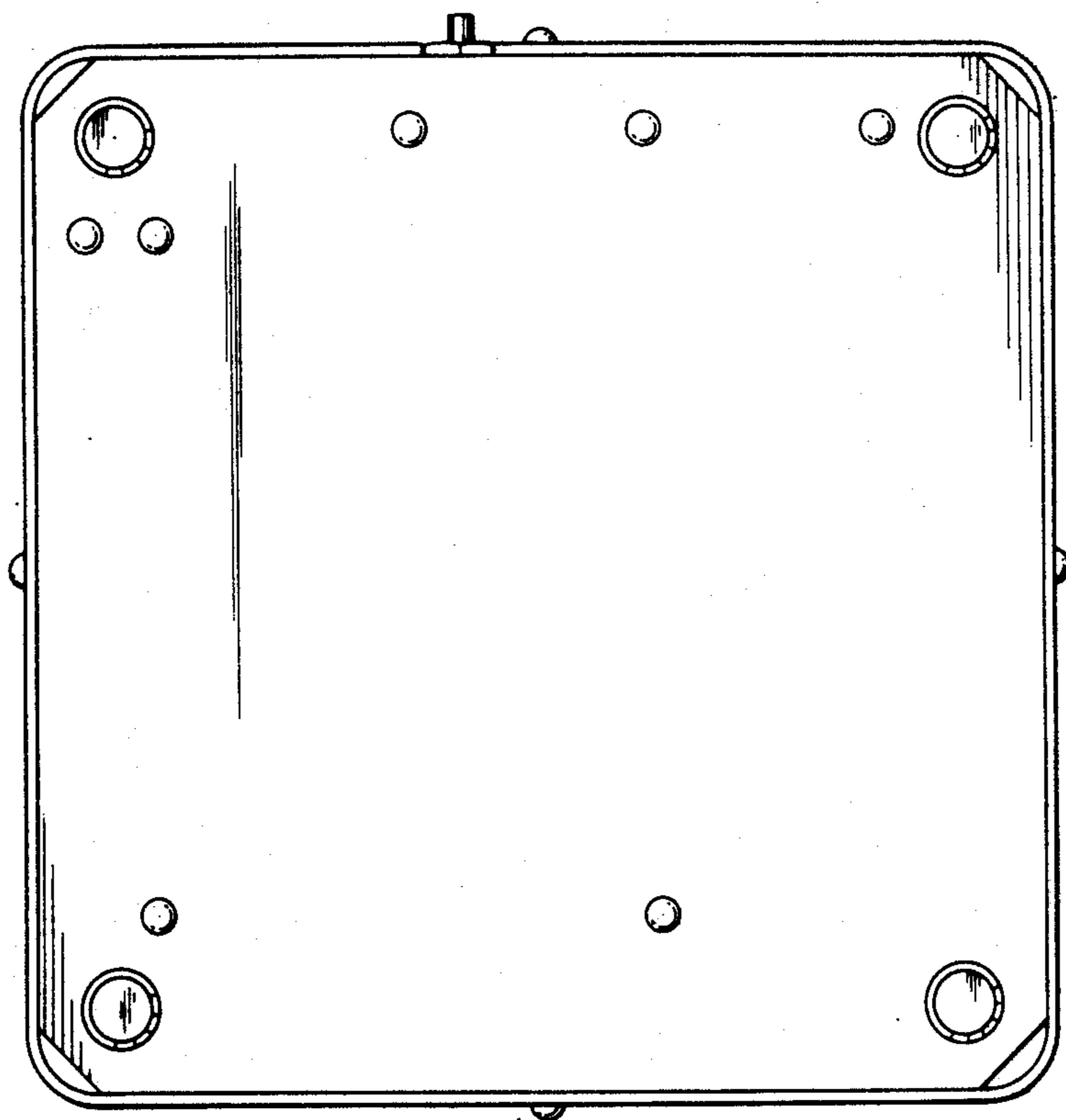


FIG. 6

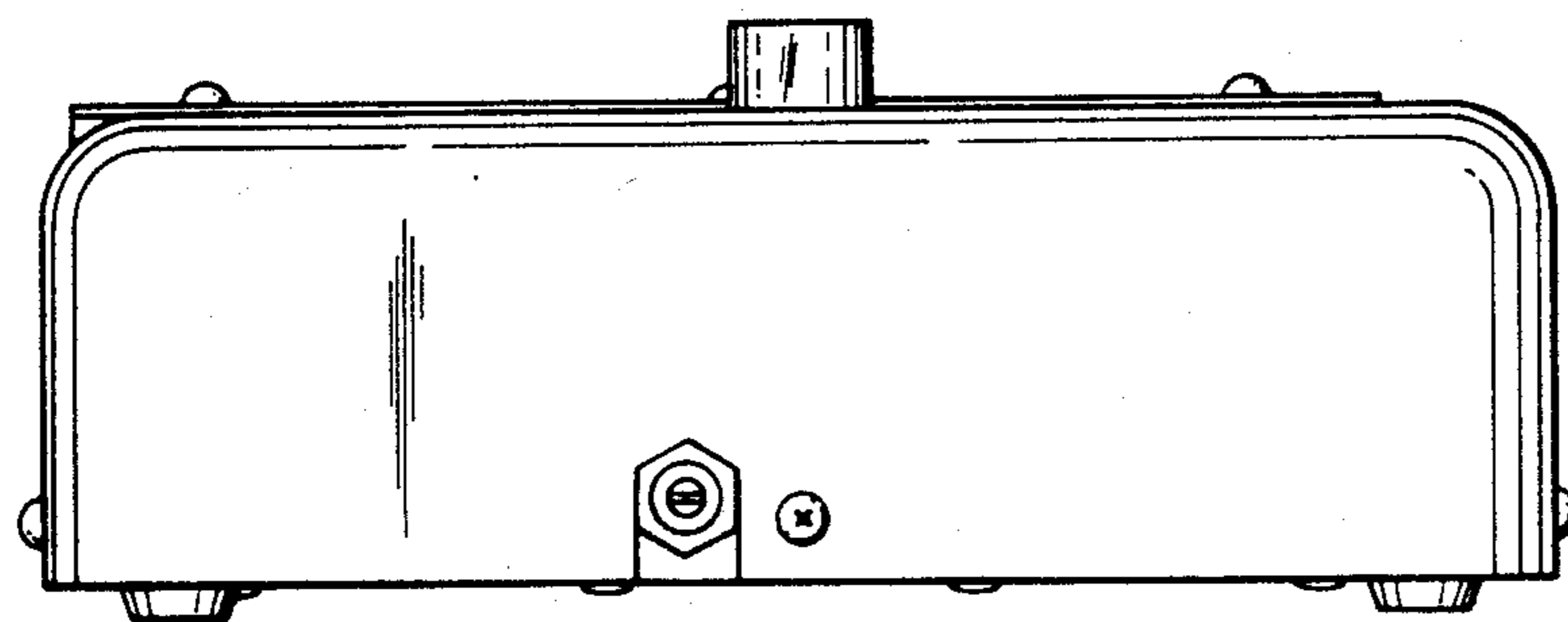


FIG. 7