

[54] SPRAY NOZZLE

[75] Inventors: Franco Clivio, Zürich, Switzerland; Dieter Raffler, Neu-Ulm, Fed. Rep. of Germany

[73] Assignee: Gardena Kress & Kastner GmbH & Co. KG, Fed. Rep. of Germany

[\*\*] Term: 14 Years

[21] Appl. No.: 682,063

[22] Filed: Dec. 17, 1984

[30] Foreign Application Priority Data

Jun. 29, 1984 [DE] Fed. Rep. of Germany ..... GRAHH14638403

[52] U.S. Cl. .... D23/35

[58] Field of Search ..... D23/34-37; 239/440, 446, 447, 587

[56] References Cited

U.S. PATENT DOCUMENTS

- D. 158,734 5/1950 Fletcher ..... D23/35
- D. 162,690 3/1951 Rosenthal ..... D23/35
- D. 202,686 10/1965 Gilmour ..... D23/35
- D. 208,845 10/1967 Beinert ..... D23/34
- D. 230,850 3/1974 Pinke ..... D23/34
- D. 231,098 4/1974 Pinke ..... D23/34

- 2,857,201 10/1958 Palmer ..... 239/587 X
- 3,166,252 1/1965 O'Brien et al. .... 239/587
- 3,893,630 7/1975 Bochmann et al. .... 239/587
- 3,901,449 8/1975 Bochmann ..... 239/587 X
- 3,940,072 2/1976 Ishikawa et al. .... 239/587

OTHER PUBLICATIONS

Hardware Age, Mar. 24, 1960, p. 120, bottom center item.

Hardware Age, Nov. 20, 1958, p. 31, "Hose Nozzle" at bottom of page.

Primary Examiner—James R. Largen  
Attorney, Agent, or Firm—Steele, Gould & Fried

[57] CLAIM

The ornamental design for a spray nozzle, as shown or described.

DESCRIPTION

FIG. 1 is a perspective view taken from the top, front and right side of a spray nozzle showing our new design;  
 FIG. 2 is a front elevational view thereof;  
 FIG. 3 is a rear elevational view thereof;  
 FIG. 4 is a top plan view thereof showing a flexed joint;  
 FIG. 5 is another top plan view thereof showing a straight joint;  
 FIG. 6 is a left side elevational view thereof; and  
 FIG. 7 is a bottom plan view thereof.

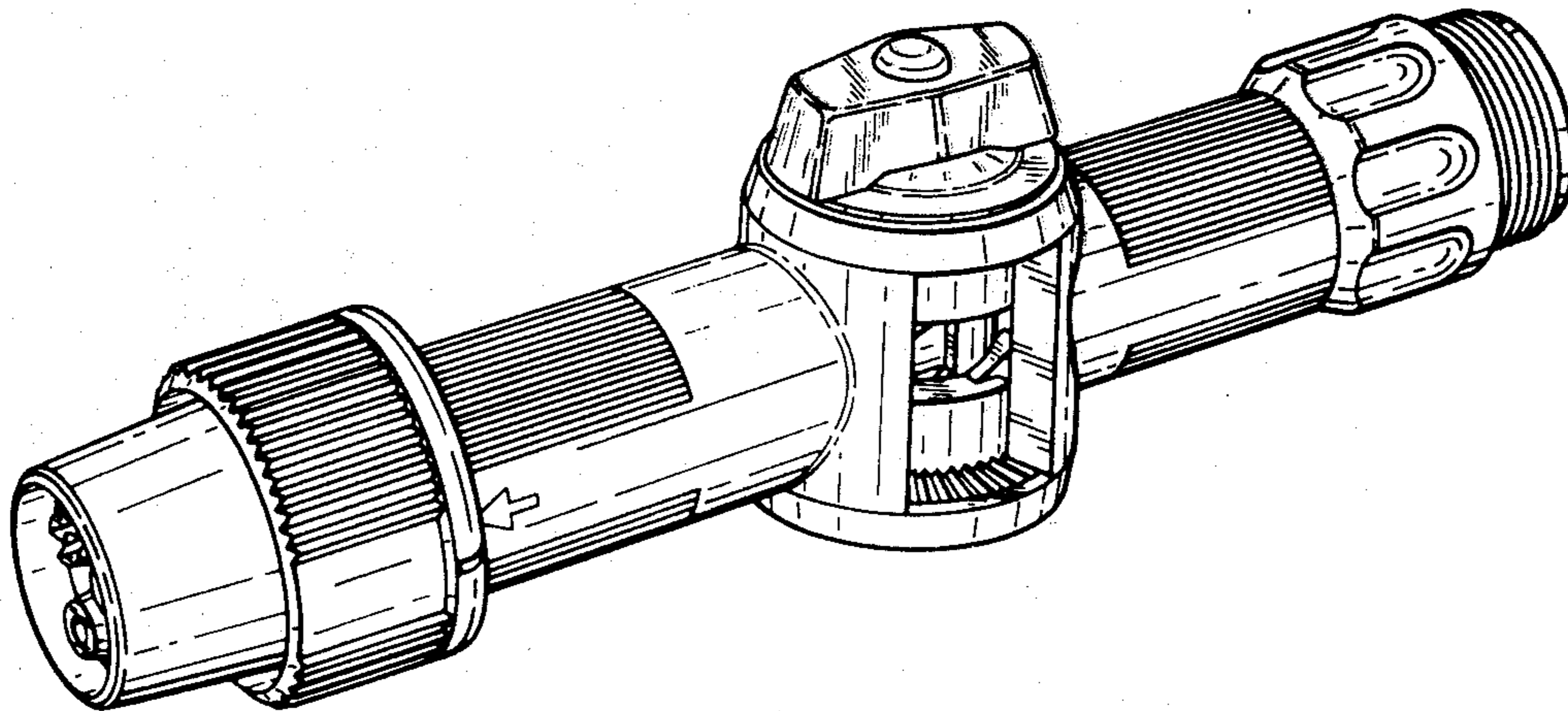


FIG. 1

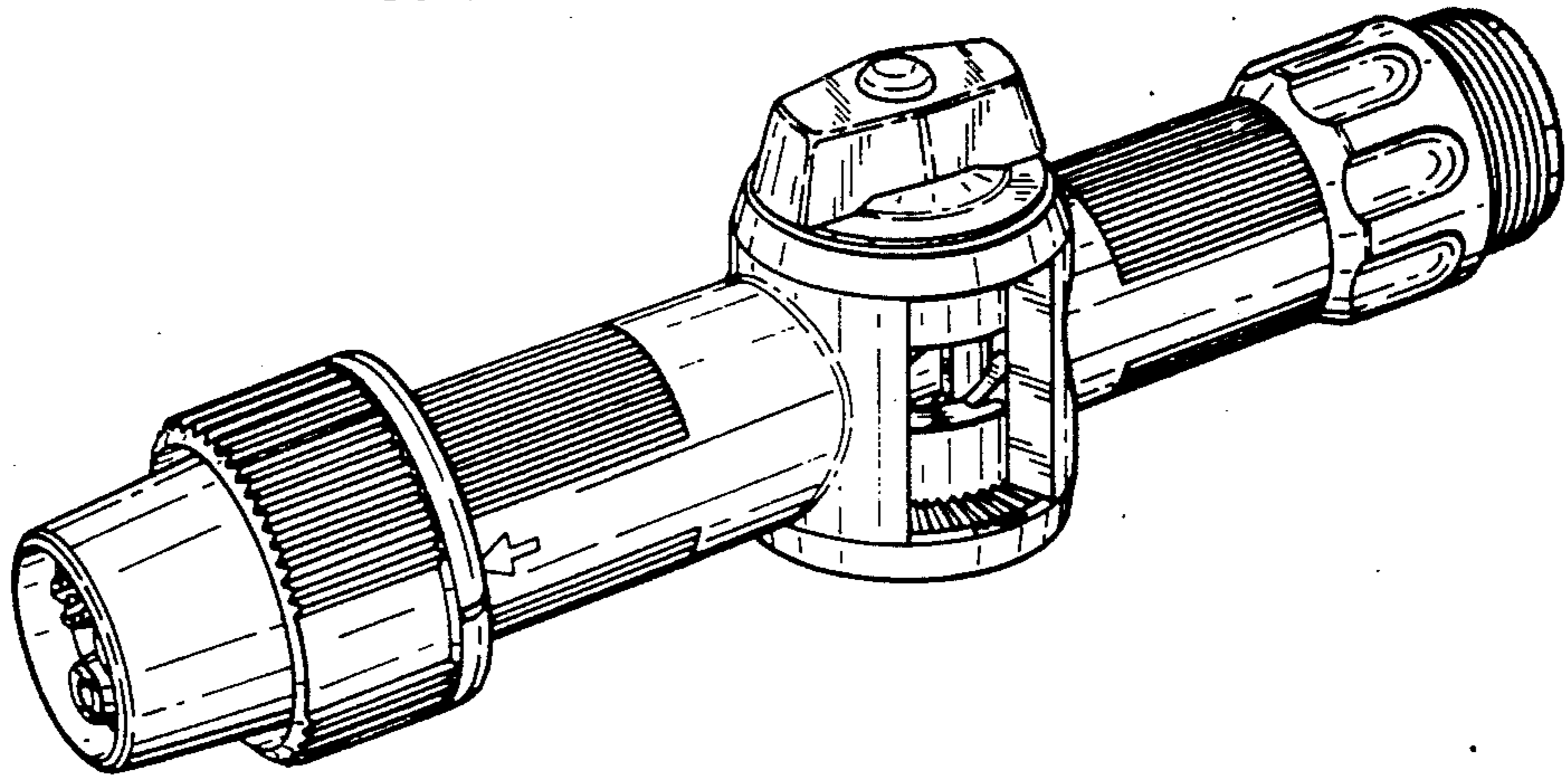


FIG. 2

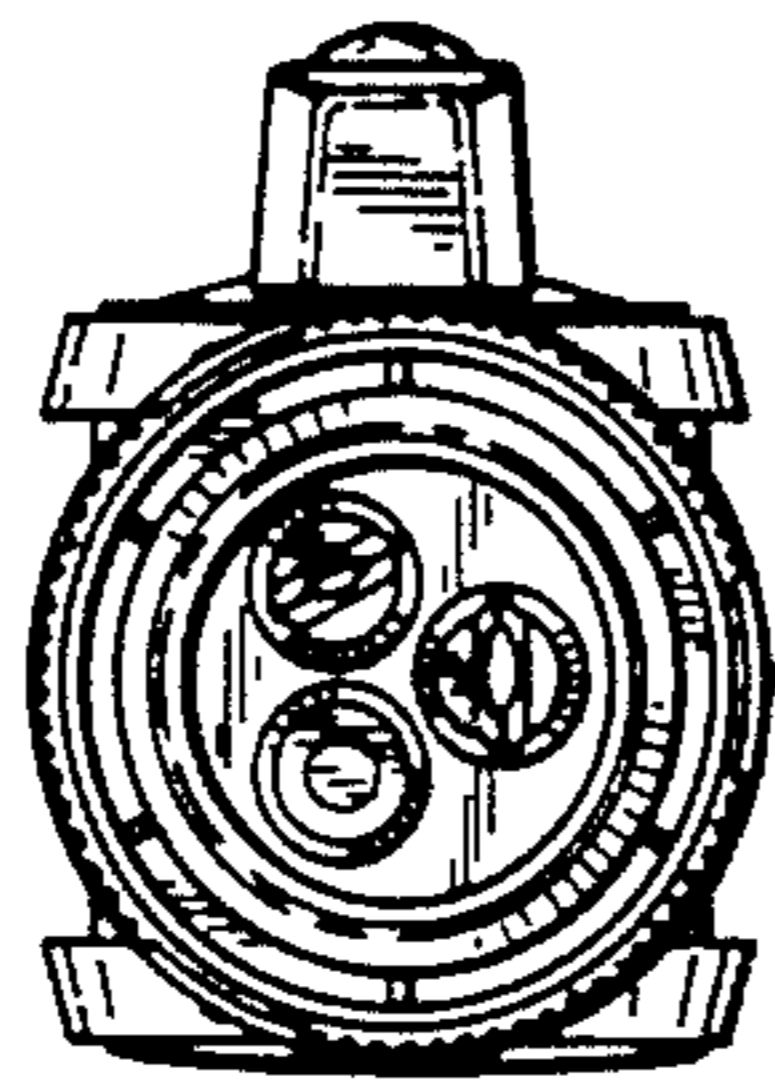


FIG. 3

