

[54] FAUCET

[75] Inventor: Stanley M. Paul, Rye, N.Y.

[73] Assignee: Paul Associates, Inc., Long Island City, N.Y.

[\*\*] Term: 14 Years

[21] Appl. No.: 813,770

[22] Filed: Dec. 27, 1985

[52] U.S. Cl. .... D23/25

[58] Field of Search ..... D23/23-32;  
4/191, 192; 137/801

[56] References Cited

U.S. PATENT DOCUMENTS

D. 265,229	6/1982	Paul	.....	D23/25
D. 265,230	6/1982	Paul	.....	D23/25
D. 265,231	6/1982	Paul	.....	D23/25
D. 268,949	5/1983	Delepine	.....	D23/32
D. 271,514	11/1983	Paul	.....	D23/25

D. 278,458	4/1985	Paul	.....	D23/25
D. 279,213	6/1985	Paul	.....	D23/25
D. 280,232	8/1985	Paul	.....	D23/25
D. 280,437	9/1985	Rademacher	.....	D23/23
D. 287,160	12/1986	Rademacher	.....	D23/25
4,334,328	6/1982	Delepine	.....	4/191

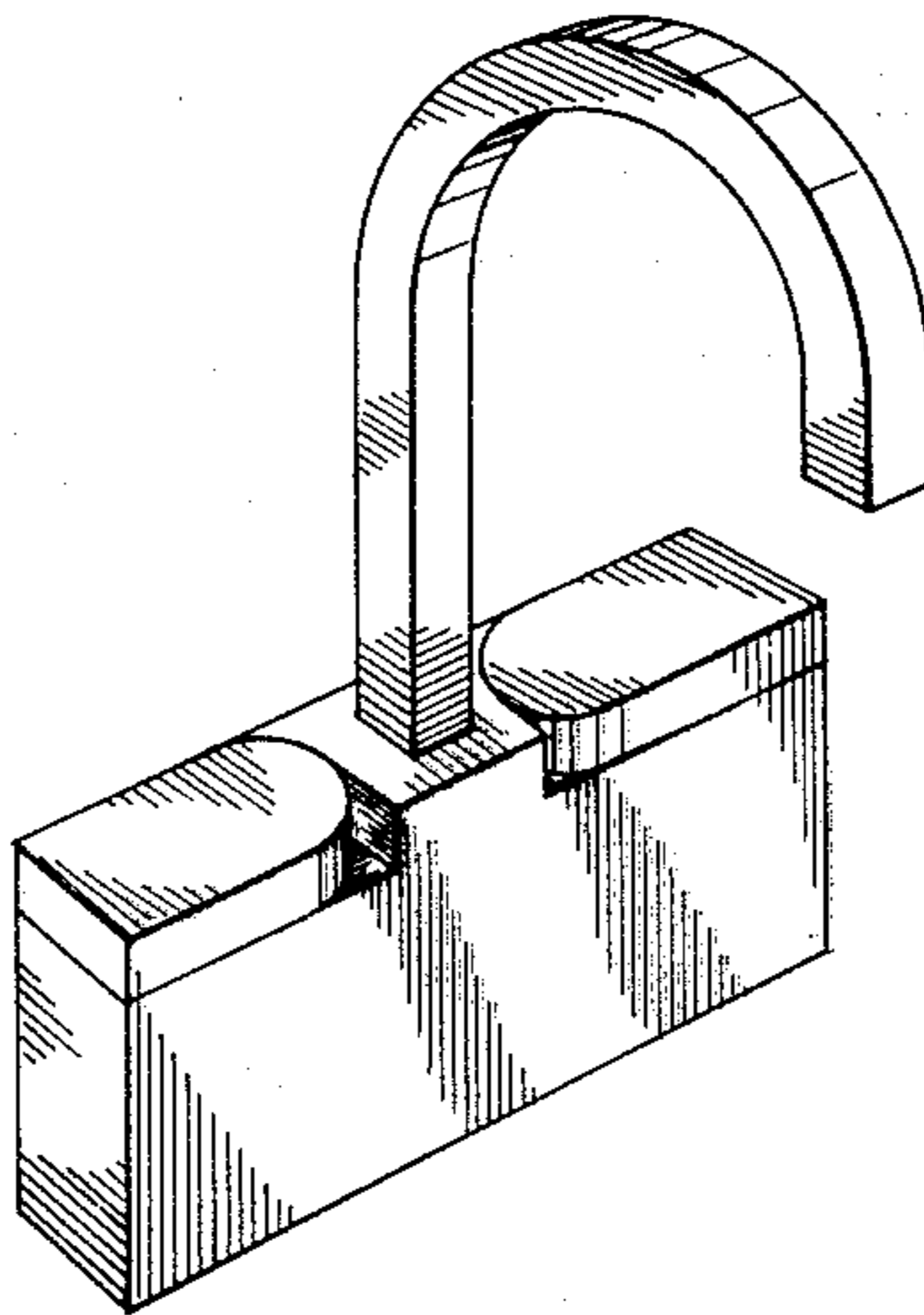
Primary Examiner—James R. Largen  
Attorney, Agent, or Firm—Darby & Darby

[57] CLAIM

The ornamental design for a faucet, as shown and described.

DESCRIPTION

FIG. 1 is a perspective view taken from the top, front and left side of a faucet embodying my new design; FIG. 2 is a front elevational view thereof; FIG. 3 is a left side elevational view thereof, the right side being a mirror image of the left side shown; FIG. 4 is a rear elevational view thereof; FIG. 5 is a top plan view thereof; and FIG. 6 is a bottom plan view thereof.



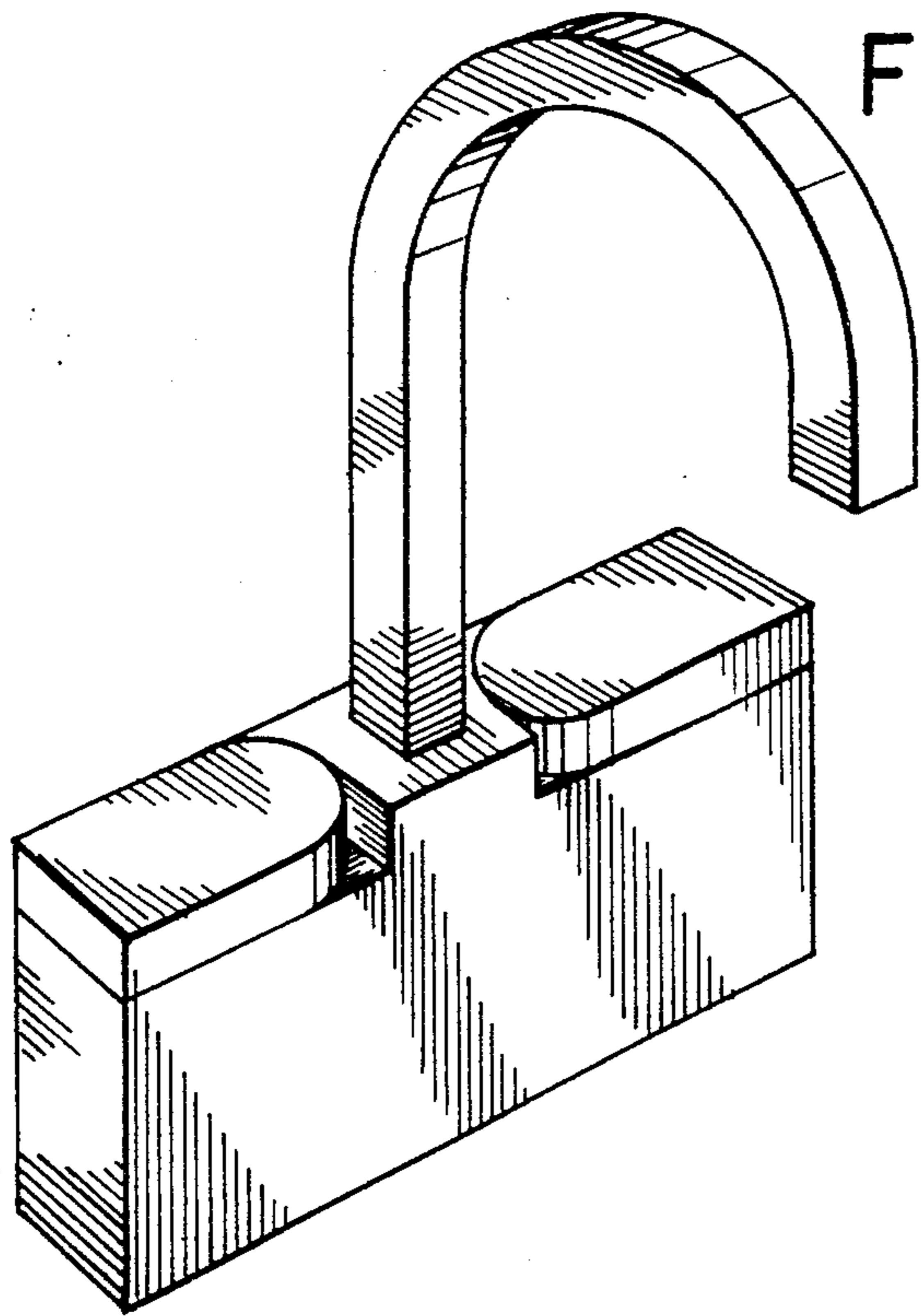


FIG. 1

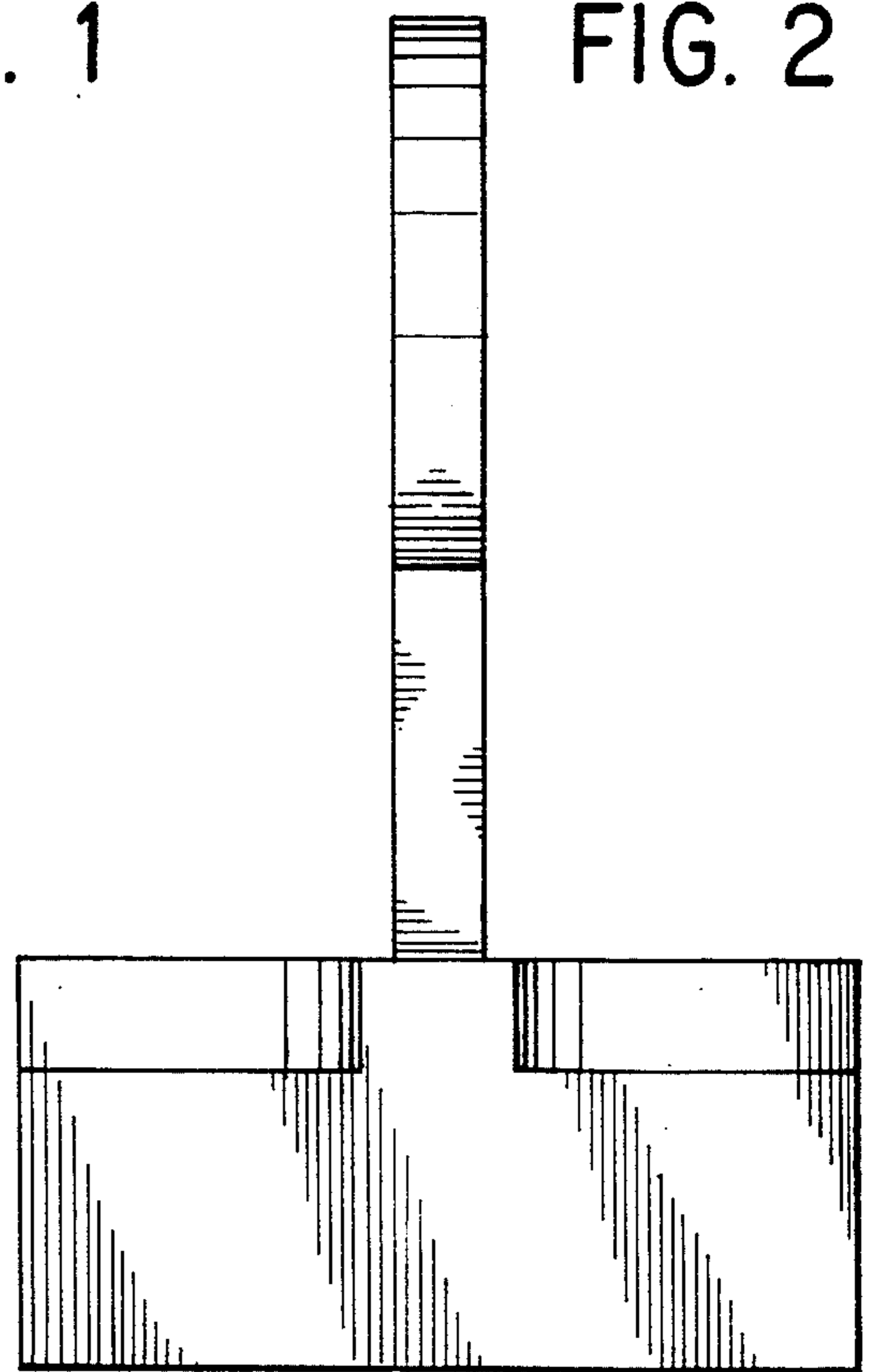


FIG. 2

FIG. 3

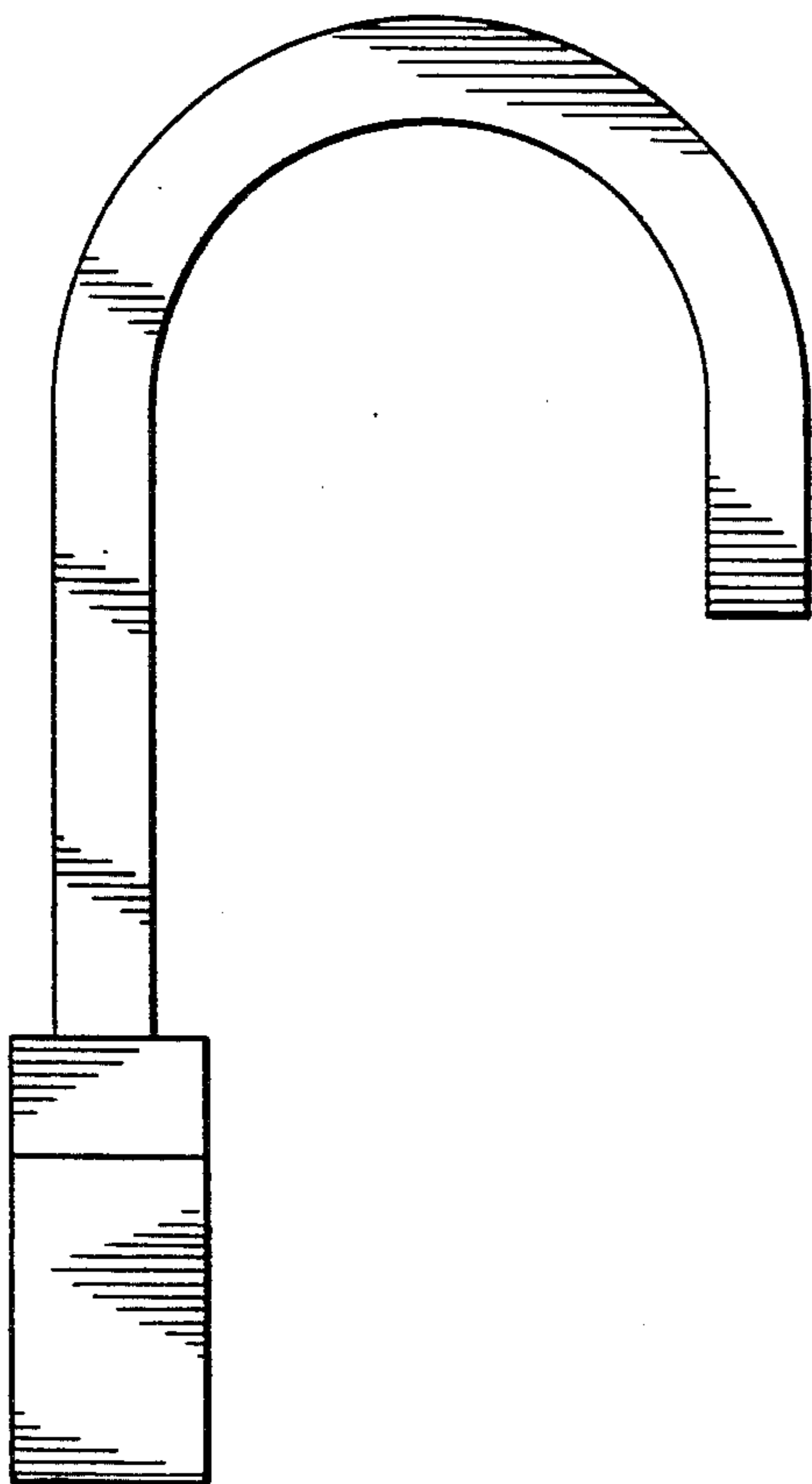


FIG. 4

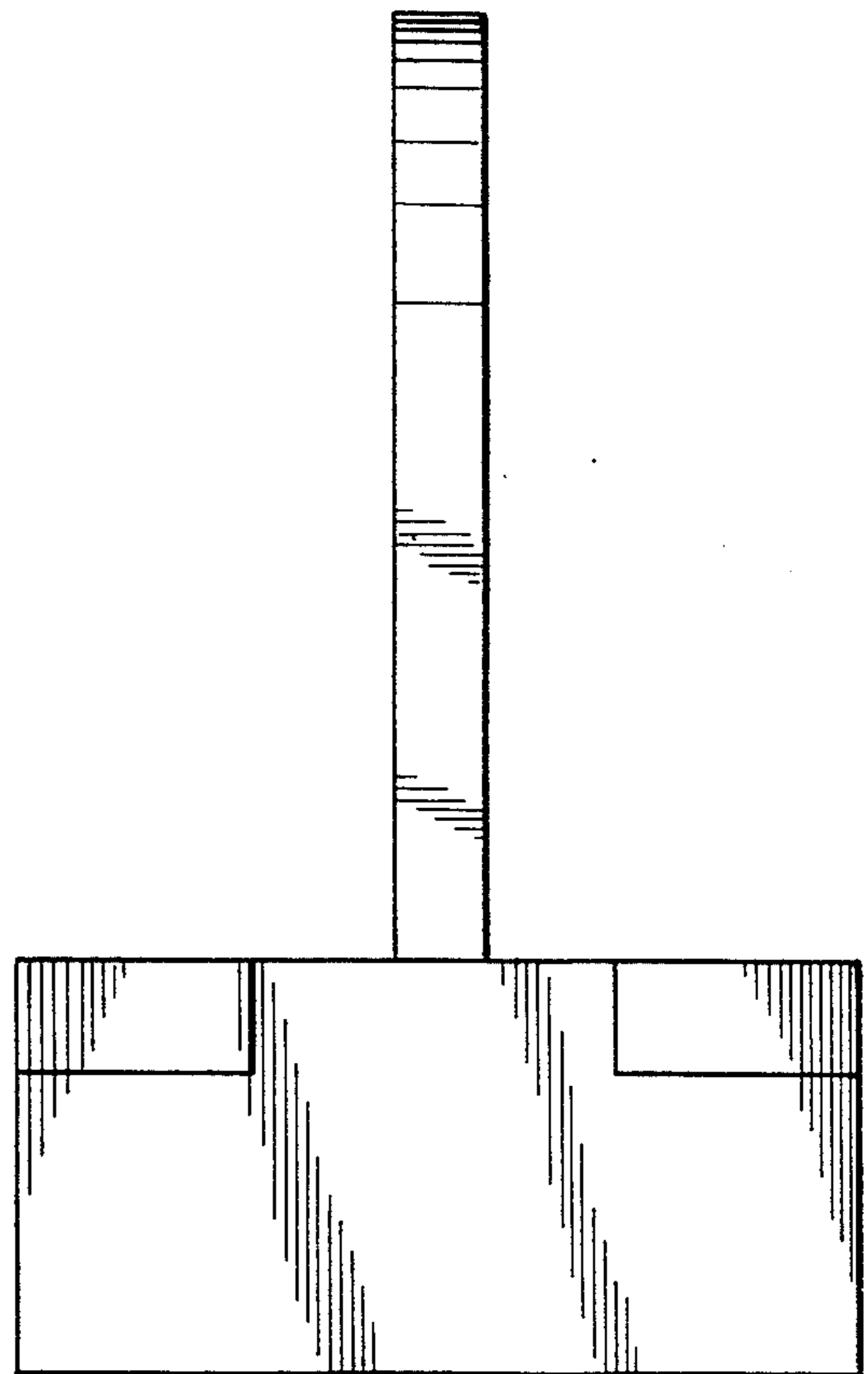


FIG. 5

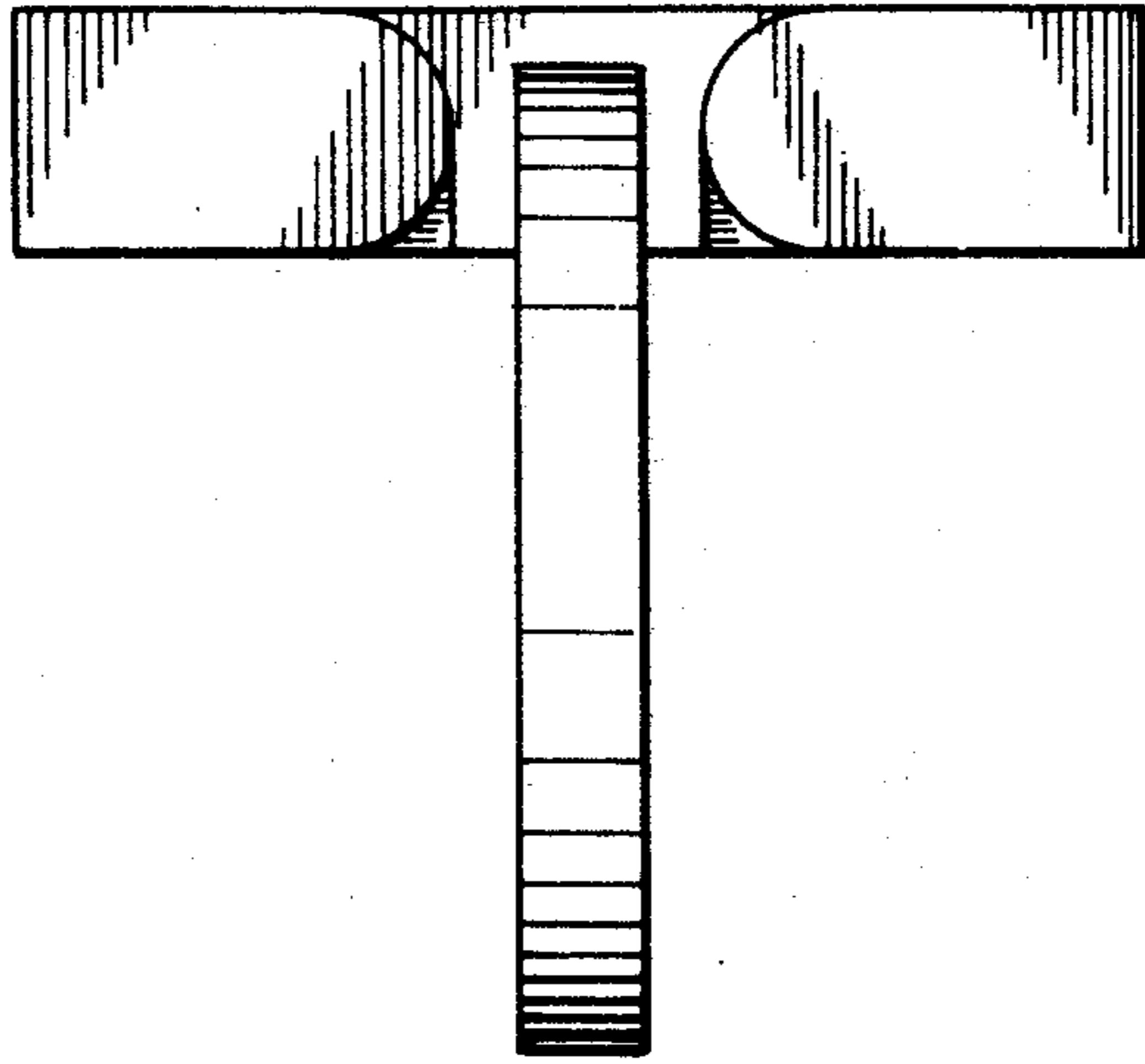


FIG. 6

