

[54] SPINNING FISHING REEL

[75] Inventors: Richard E. Ten Eyck; Gary P. Israel, both of Wichita, Kans.

[73] Assignee: Brunswick Corporation, Skokie, Ill.

[\*\*] Term: 14 Years

[21] Appl. No.: 621,227

[22] Filed: Jun. 15, 1984

[52] U.S. Cl. .... D22/141

[58] Field of Search ..... D22/140, 141; 242/84.1 R, 84.1 J, 84.2 R-84.2 J, 84.21 R, 84.21 A

[56] References Cited

U.S. PATENT DOCUMENTS

D. 269,031	5/1983	Kanamaru et al. ....	D22/141
D. 270,933	10/1983	Iinuma et al. ....	D22/141
D. 270,934	10/1983	Iinuma ....	D22/141

Primary Examiner—A. Hugo Word  
Attorney, Agent, or Firm—Wood, Dalton, Phillips, Mason & Rowe

[57] CLAIM

The ornamental design of a spinning fishing reel, as shown and described.

DESCRIPTION

FIG. 1 is a perspective view of a majority portion of one side of the fishing reel and a partial portion of the back of the reel;

FIG. 2 is a side elevation view thereof which includes the handle;

FIG. 3 is a side elevation view thereof opposite to the view shown in FIG. 2;

FIG. 4 is a top plan view thereof;

FIG. 5 is a bottom plan view thereof;

FIG. 6 is a front elevation view thereof; and

FIG. 7 is a back elevation view thereof.

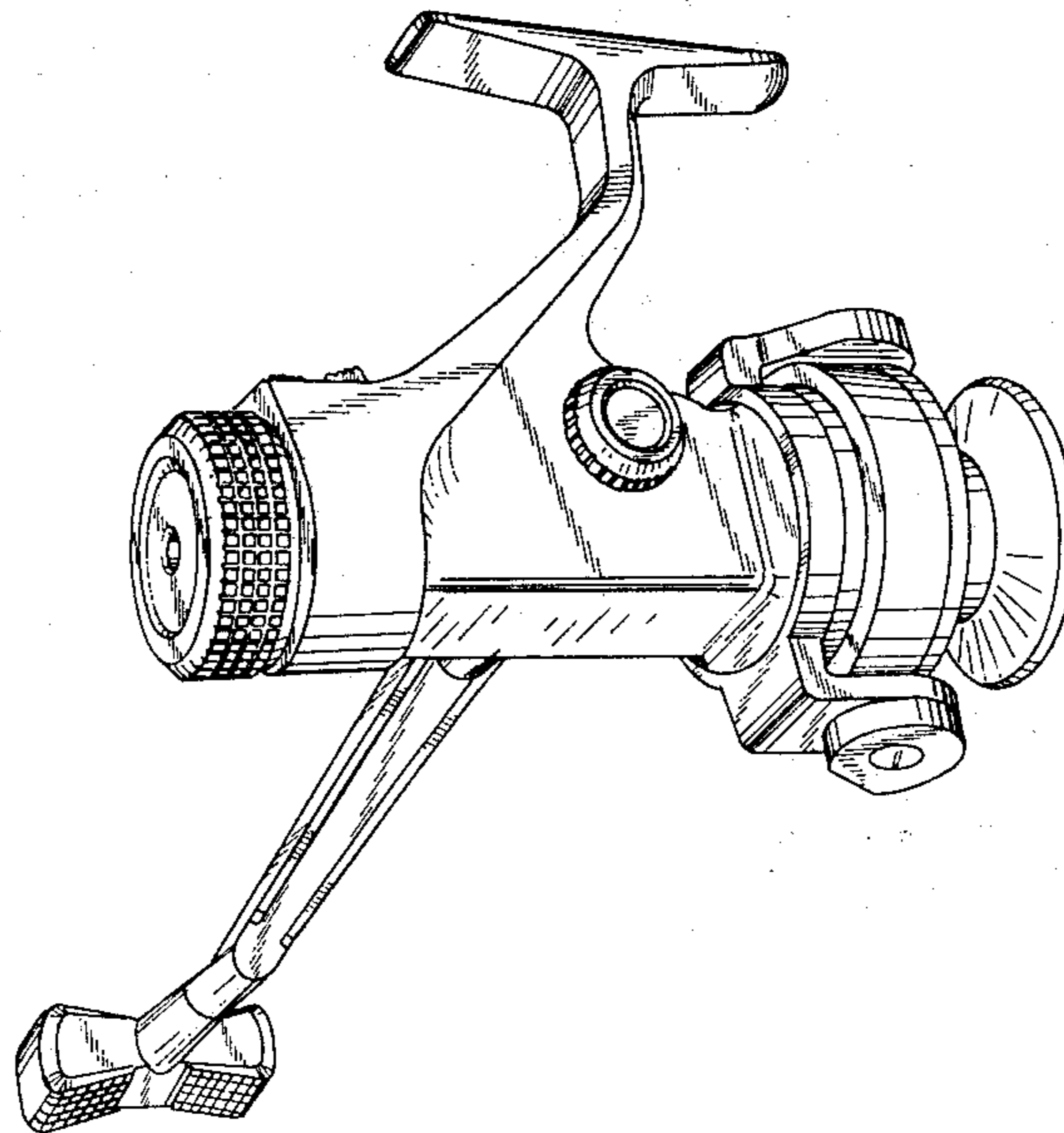


FIG. 1

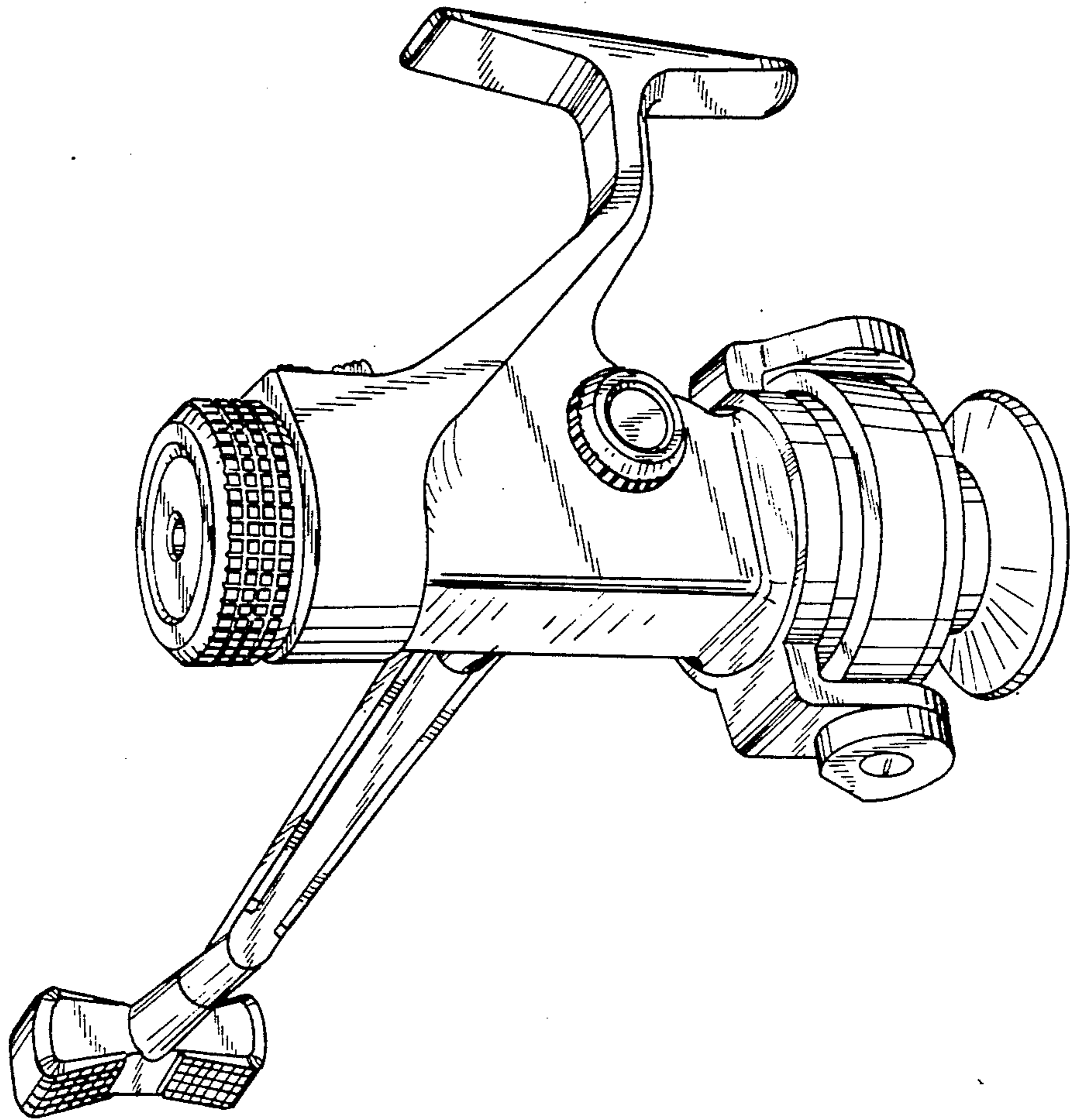


FIG. 2

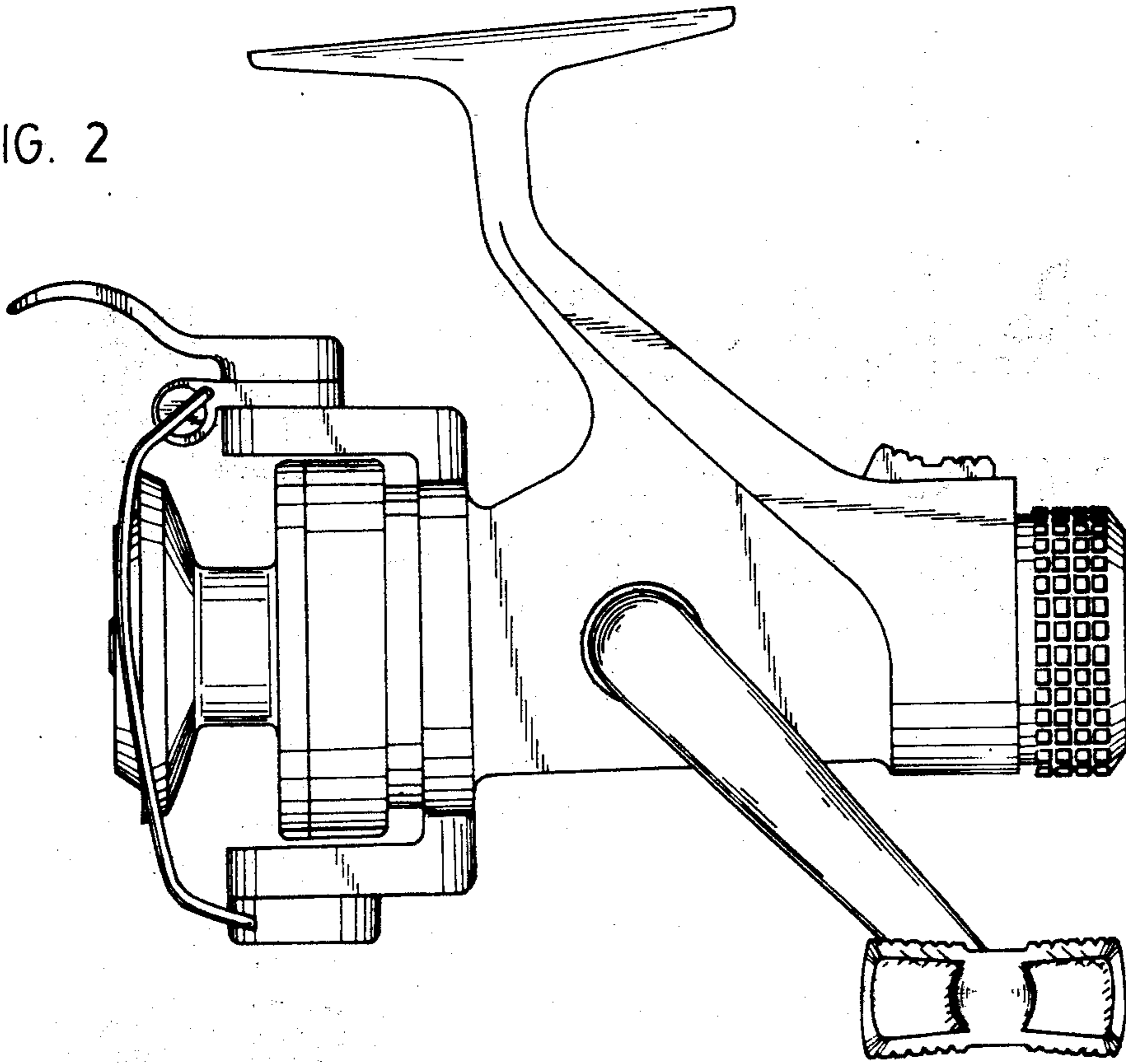


FIG. 3

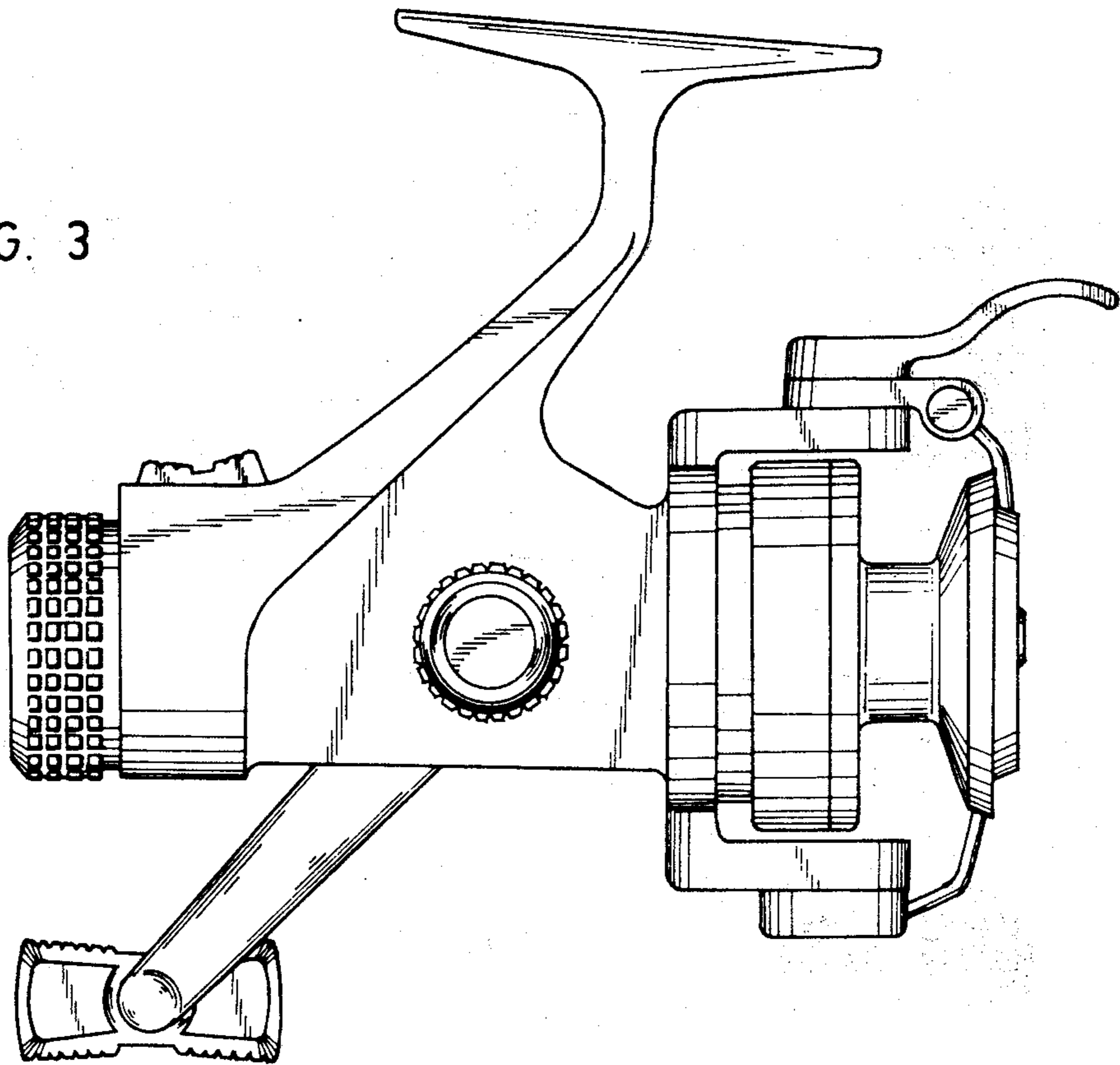


FIG. 4

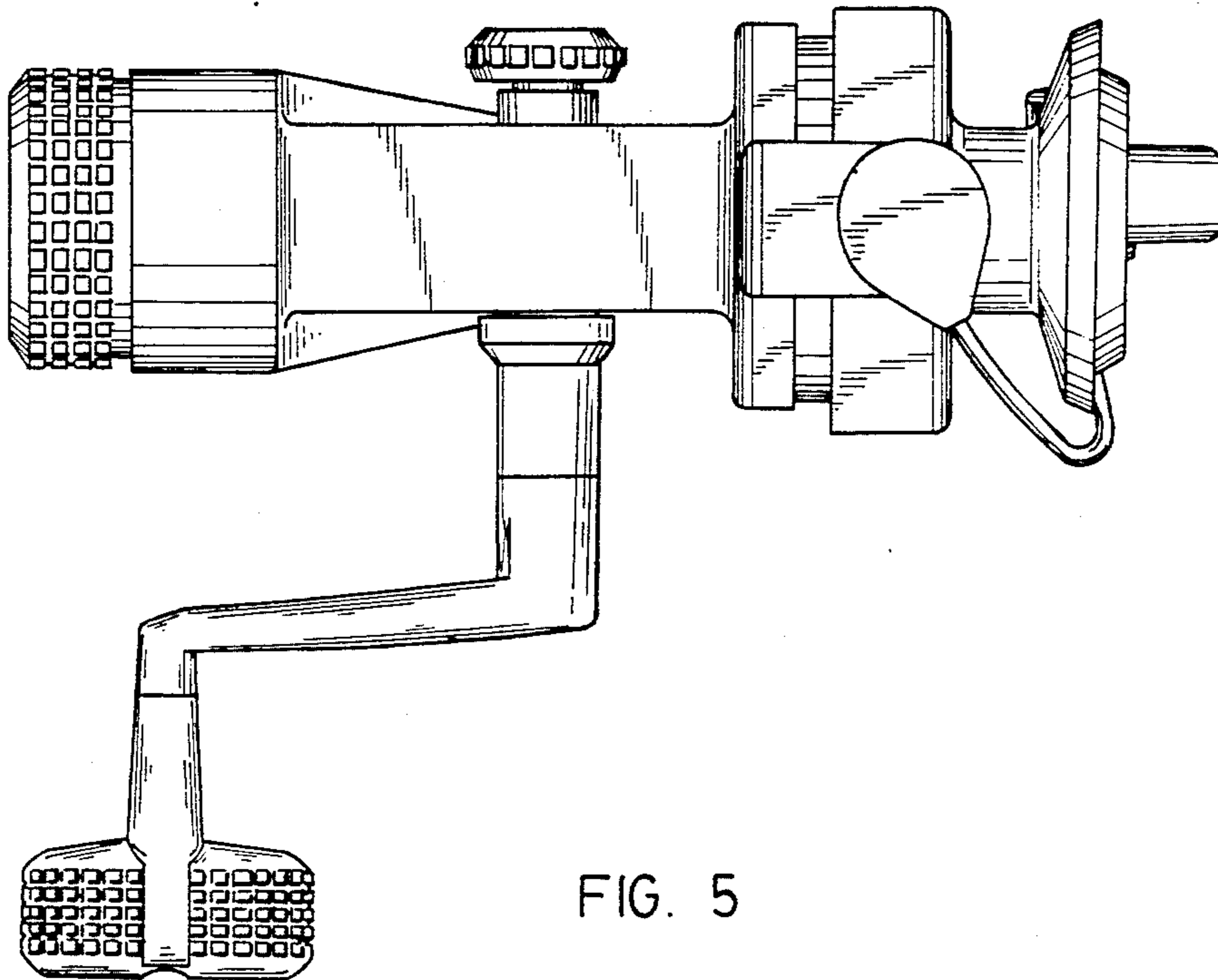
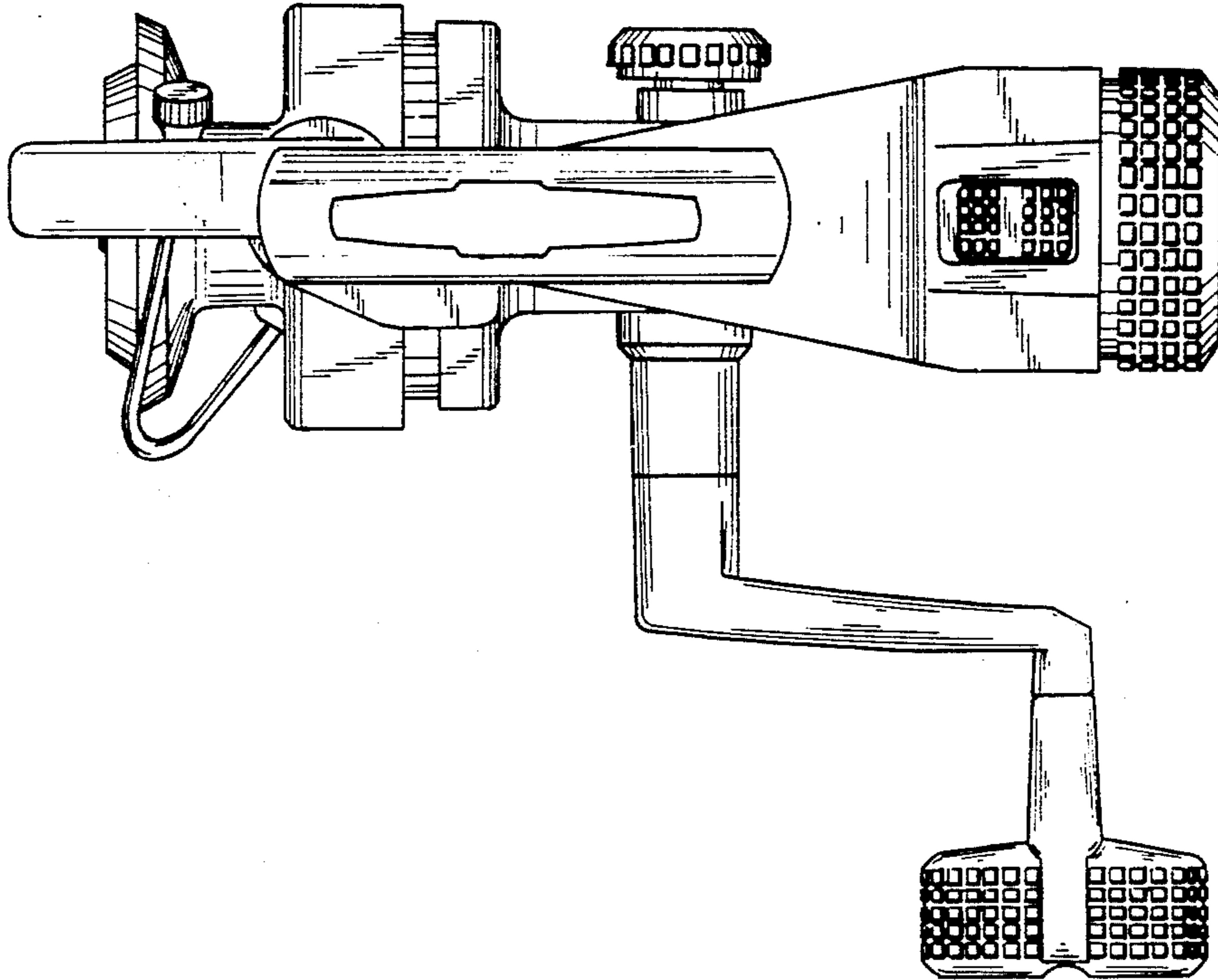


FIG. 5

FIG. 6

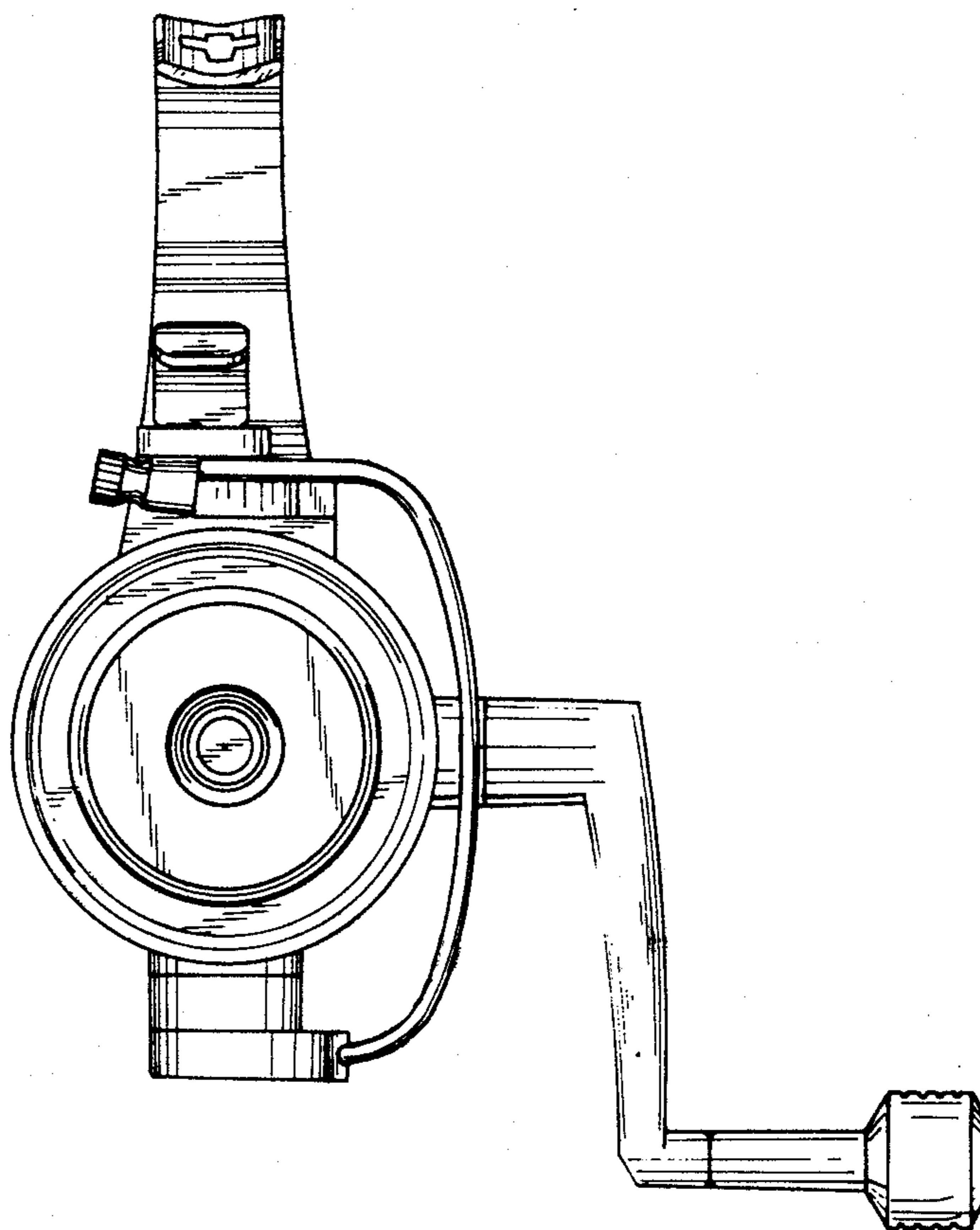


FIG. 7

