

[54] **FISHING REEL**

[75] **Inventor: Seiji Myojo, Sakai, Japan**

[73] **Assignee: Shimano Industrial Company Limited, Osaka, Japan**

[**] **Term: 14 Years**

[21] **Appl. No.: 668,954**

[22] **Filed: Nov. 7, 1984**

[30] **Foreign Application Priority Data**

May 24, 1984 [JP]	Japan	59-21287
[52] U.S. Cl.		D22/141
[58] Field of Search		D22/140, 141;
		242/84.1 R, 84.1 J, 84.2 R-84.2 J, 84.21 A,
		84.21 R

[56] **References Cited**

U.S. PATENT DOCUMENTS

D. 254,091	1/1980	Jansson et al.	D22/141
D. 270,933	10/1983	Iinuma	D22/141

Primary Examiner—A. Hugo Word
Attorney, Agent, or Firm—Stevens, Davis, Miller & Mosher

[57] **CLAIM**

The ornamental design for a fishing reel, as shown.

DESCRIPTION

FIG. 1 is a front view of a fishing reel showing my new design;
 FIG. 2 is a rear view thereof;
 FIG. 3 is a bottom view thereof;
 FIG. 4 is a front and right-side perspective view thereof;
 FIG. 5 is a front and bottom perspective view thereof; and
 FIG. 6 is a rear and left-side perspective view thereof.

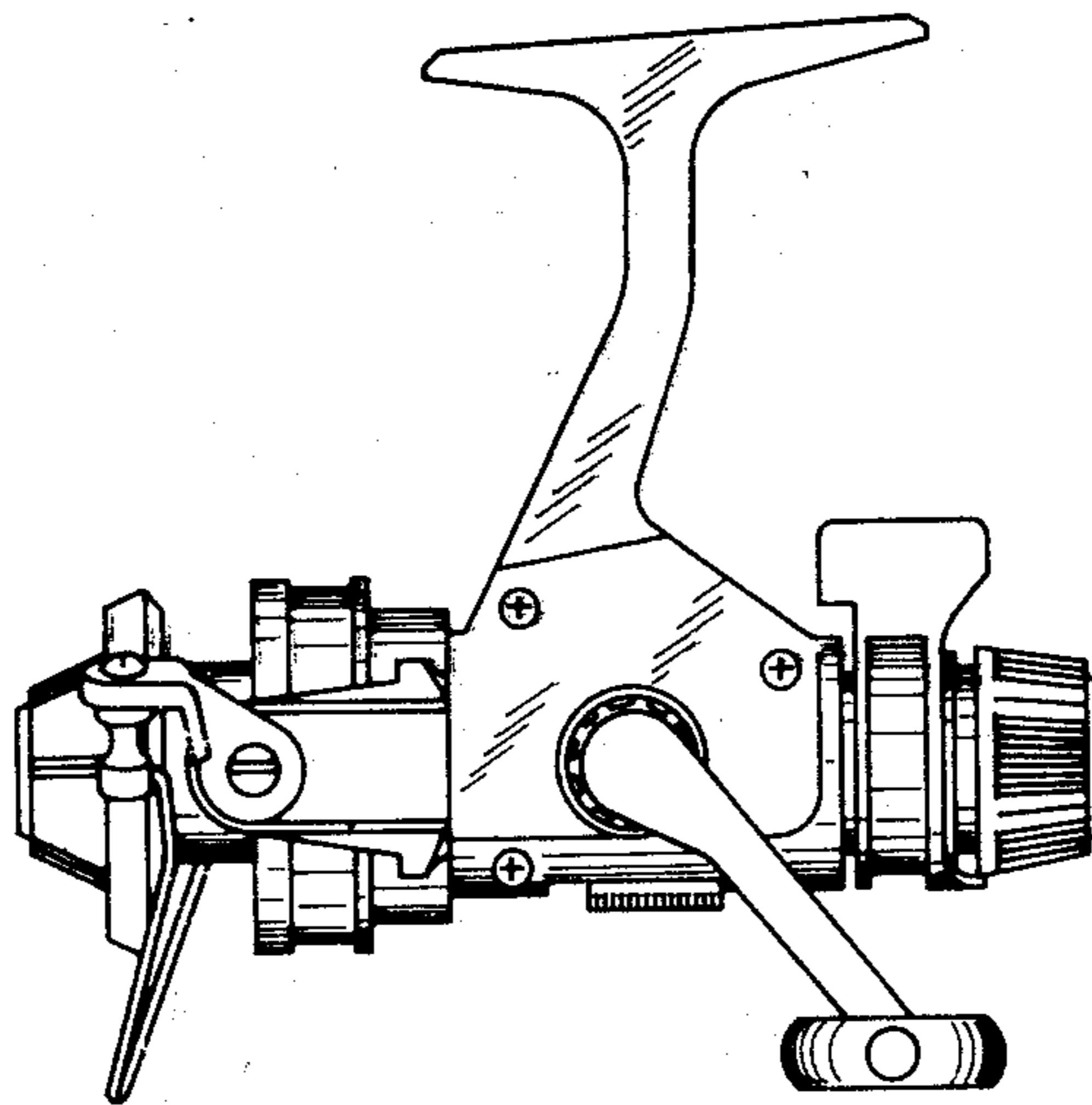


FIG. 1

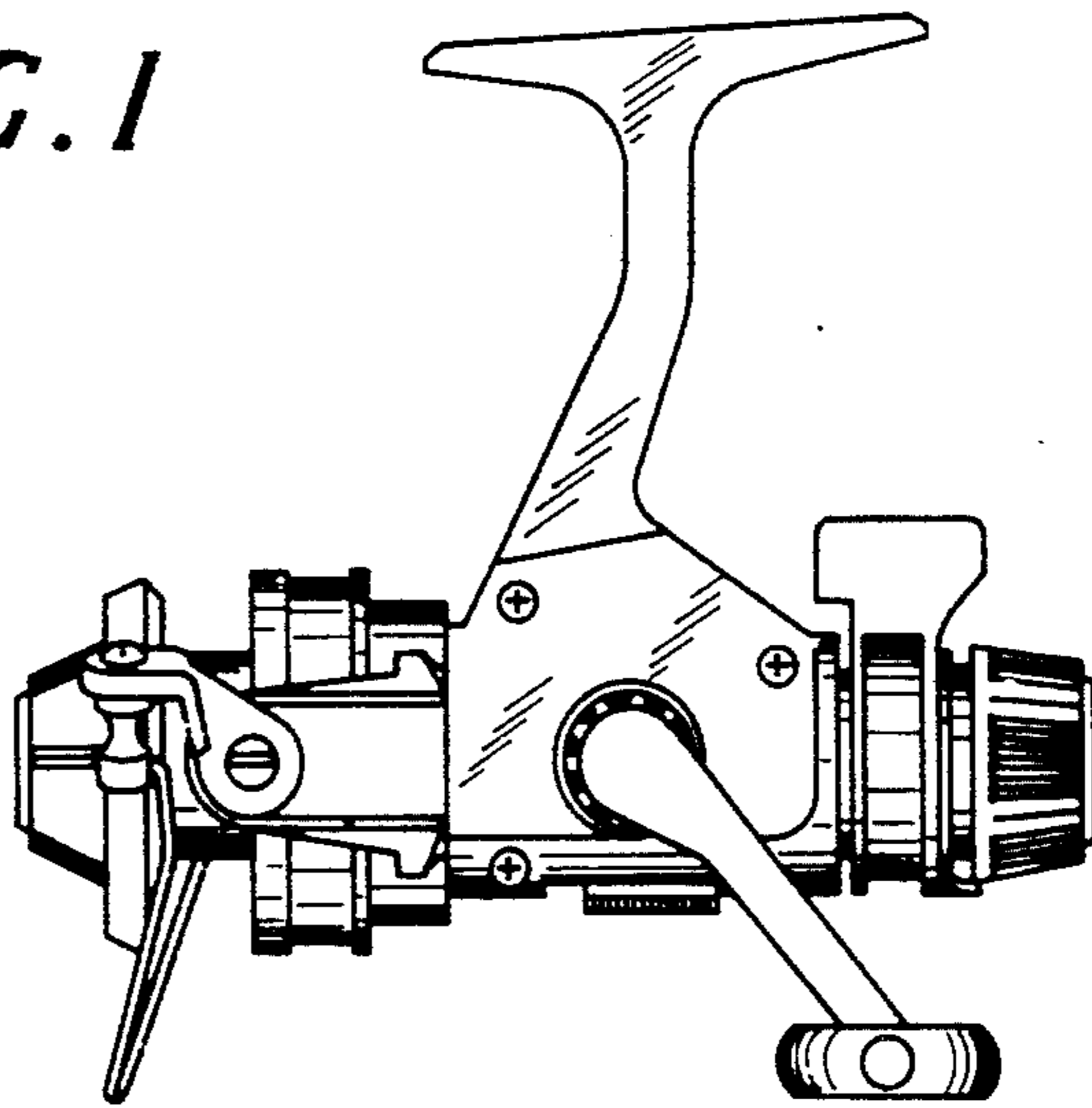


FIG. 2

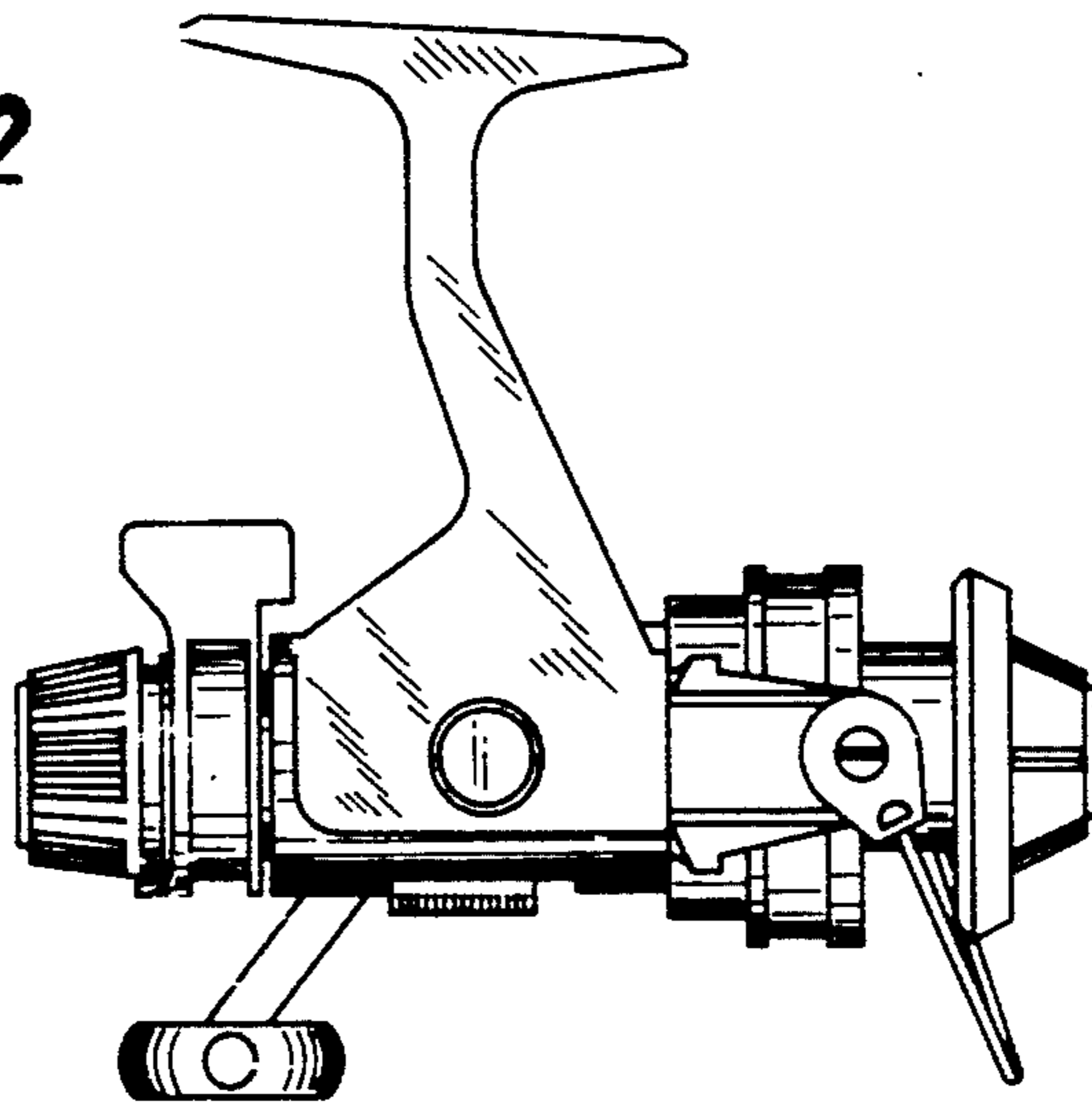


FIG. 3

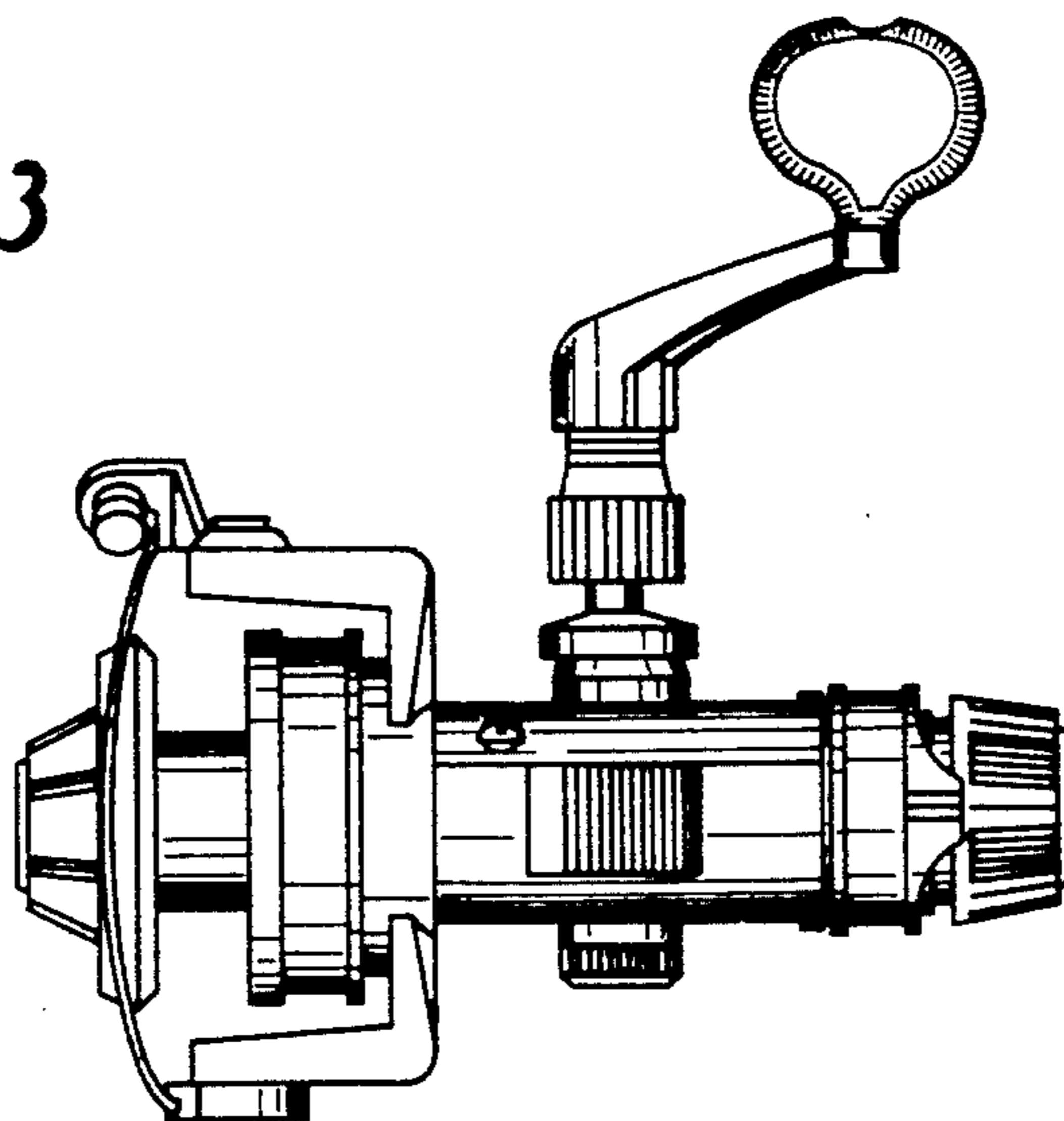


FIG. 4

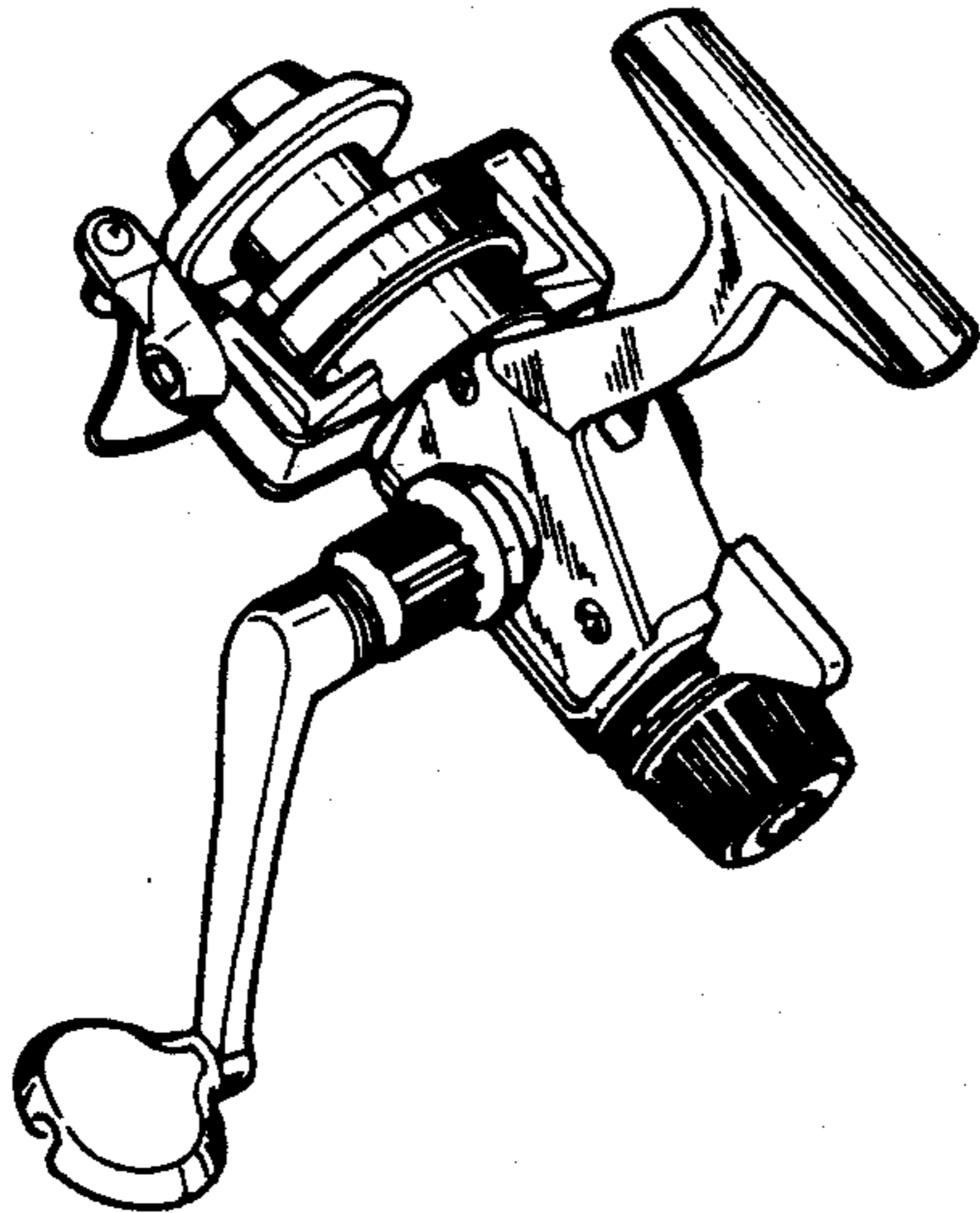


FIG. 5

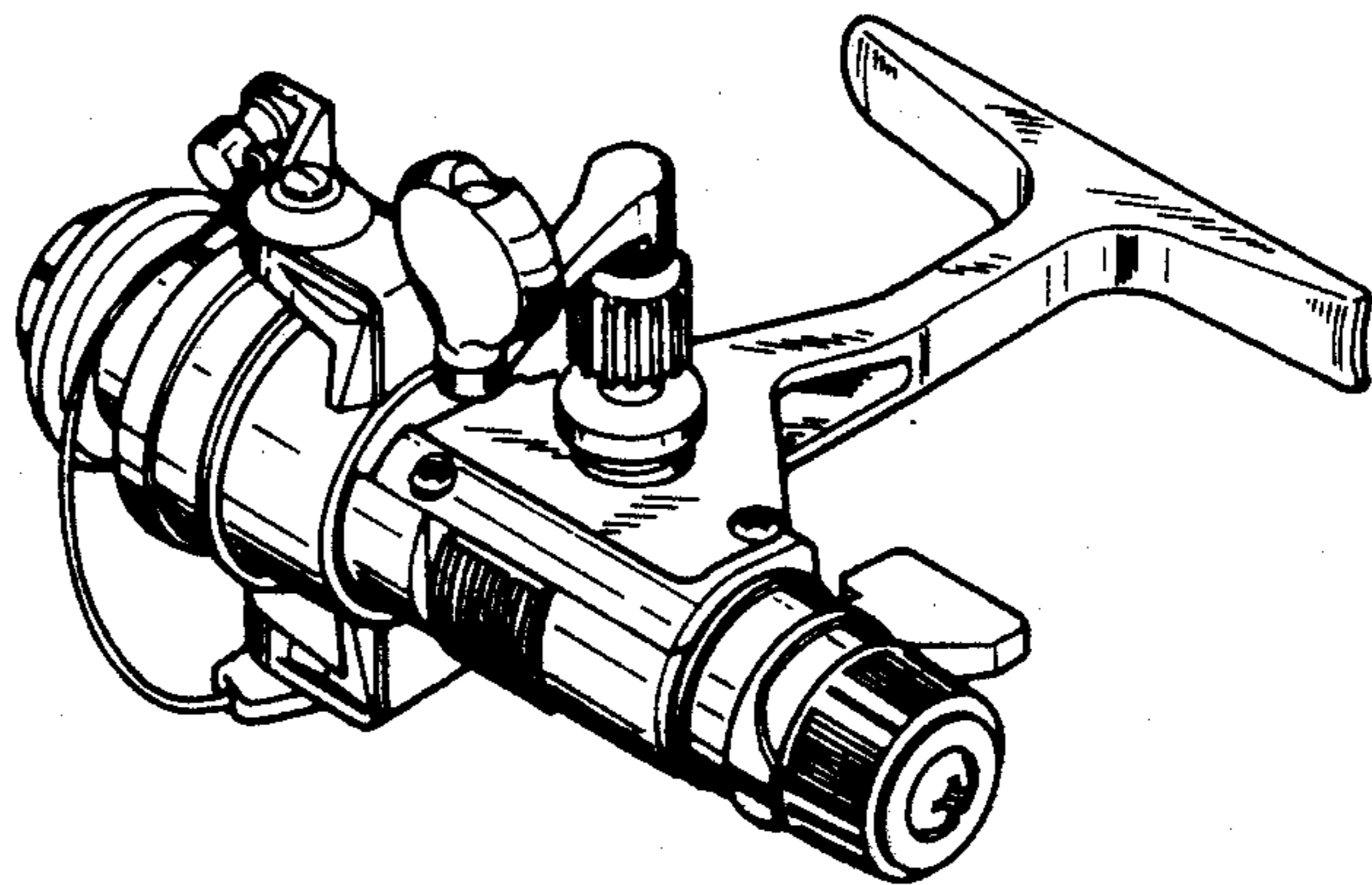


FIG. 6

