

[54] SPIN CAST FISHING REEL

[75] Inventors: Richard J. Robbins, Derby, Kans.; Roy Stiner, Tulsa, Okla.

[73] Assignee: Brunswick Corporation, Skokie, Ill.

[**] Term: 14 Years

[21] Appl. No.: 633,018

[22] Filed: Jul. 20, 1984

[52] U.S. Cl. D22/141

[58] Field of Search D22/140, 141, 137; 242/84.1 R, 84.1 J, 84.2 R-84.2 J, 84.21 R, 84.21 A

[56] References Cited

U.S. PATENT DOCUMENTS

D. 226,850 5/1973 Hull D22/141
4,261,528 4/1981 McKinney D22/141 X

4,331,303 5/1982 Moss D22/141 X
4,415,129 11/1983 Neufeld D22/141 X

Primary Examiner—A. Hugo Word
Attorney, Agent, or Firm—Wood, Dalton, Phillips,
Mason & Rowe

[57] CLAIM

The ornamental design of a spin cast fishing reel, as shown and described.

DESCRIPTION

FIG. 1 is a perspective view of a front and side portion including a crank handle of a spin cast fishing reel showing our new design;
FIG. 2 is a front elevation view thereof;
FIG. 3 is a side elevation view thereof;
FIG. 4 is a back elevation view thereof;
FIG. 5 is a top plan view thereof;
FIG. 6 is a side elevation view thereof; and
FIG. 7 is a bottom plan view thereof.

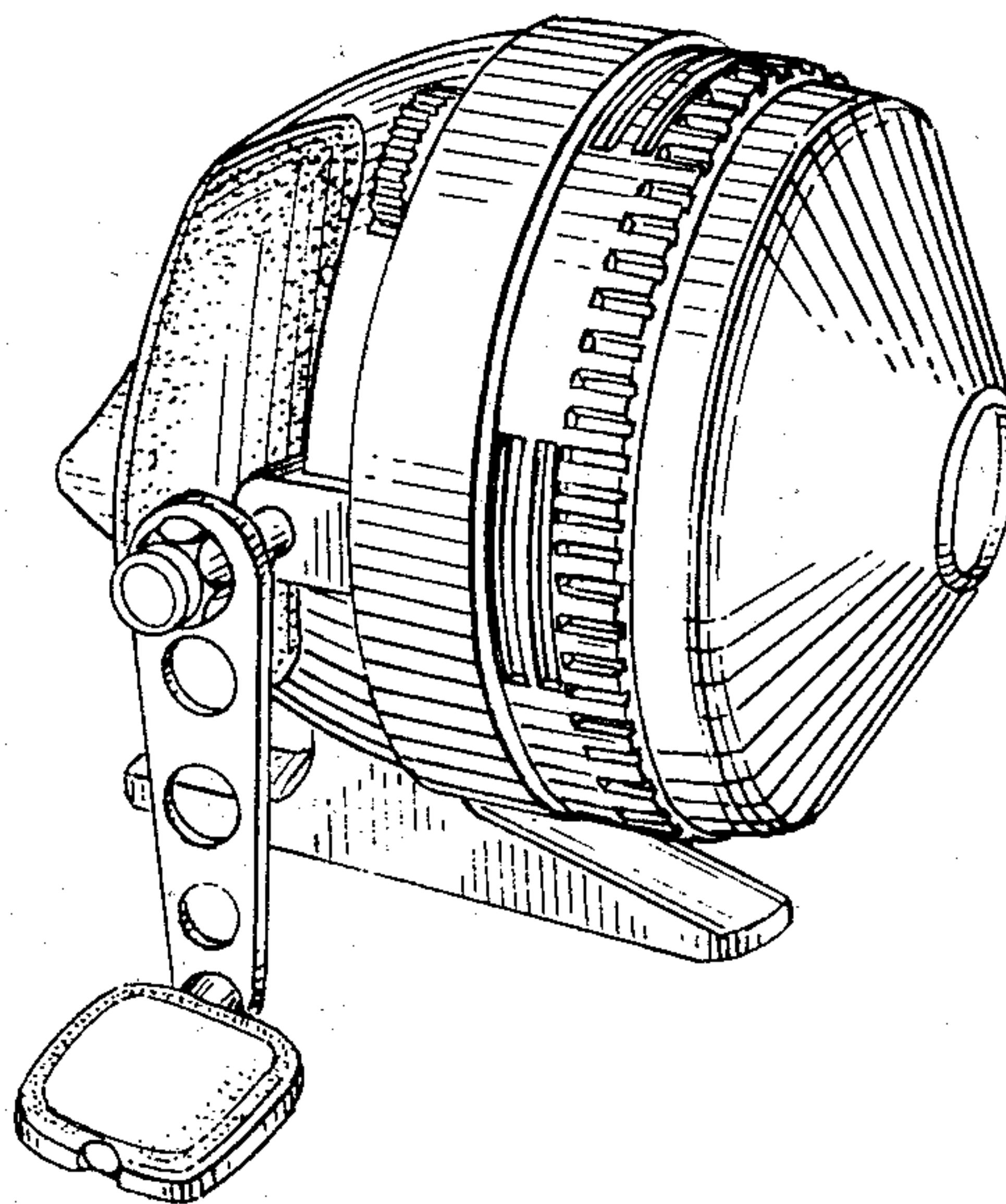


FIG. 1

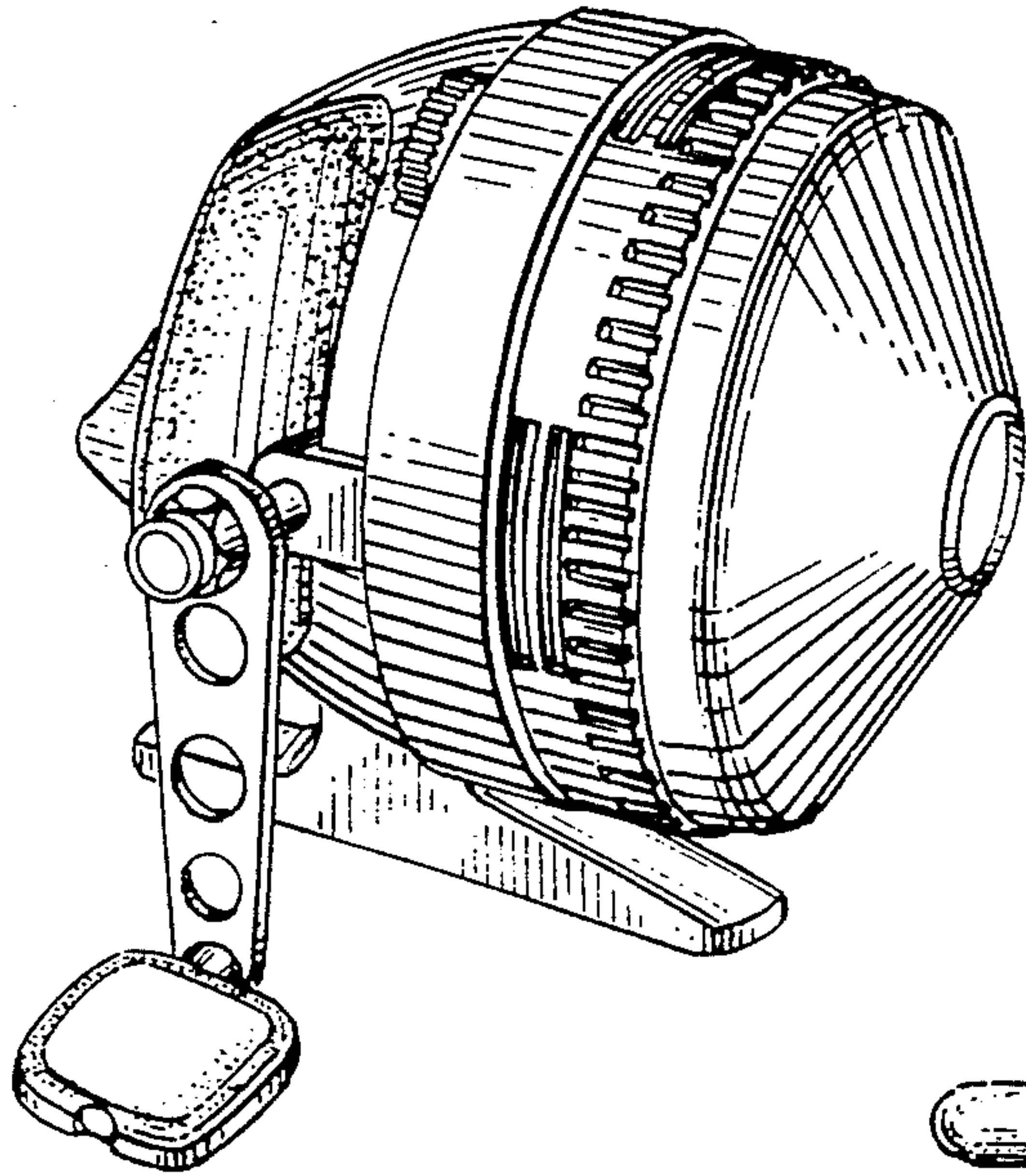


FIG. 2

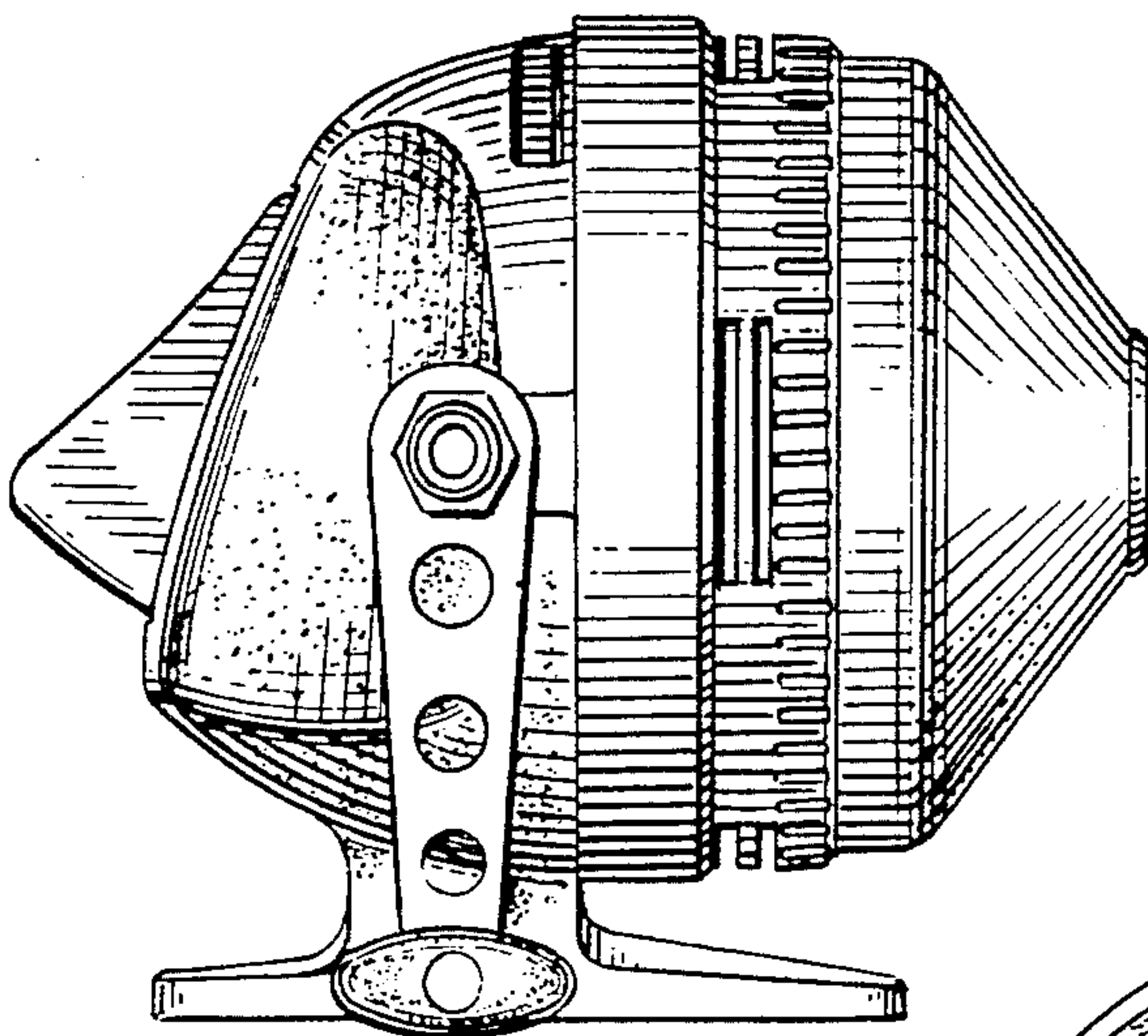
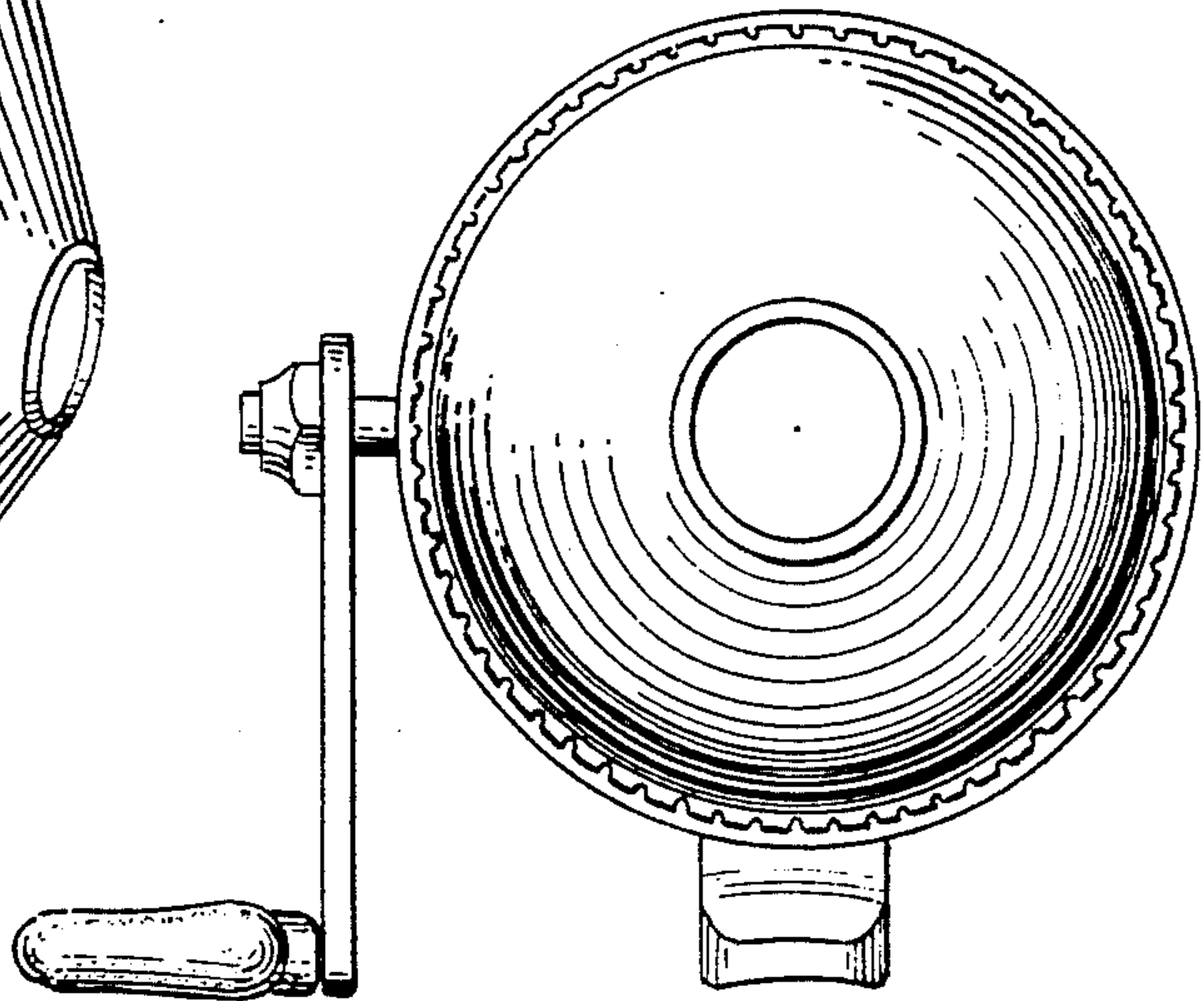
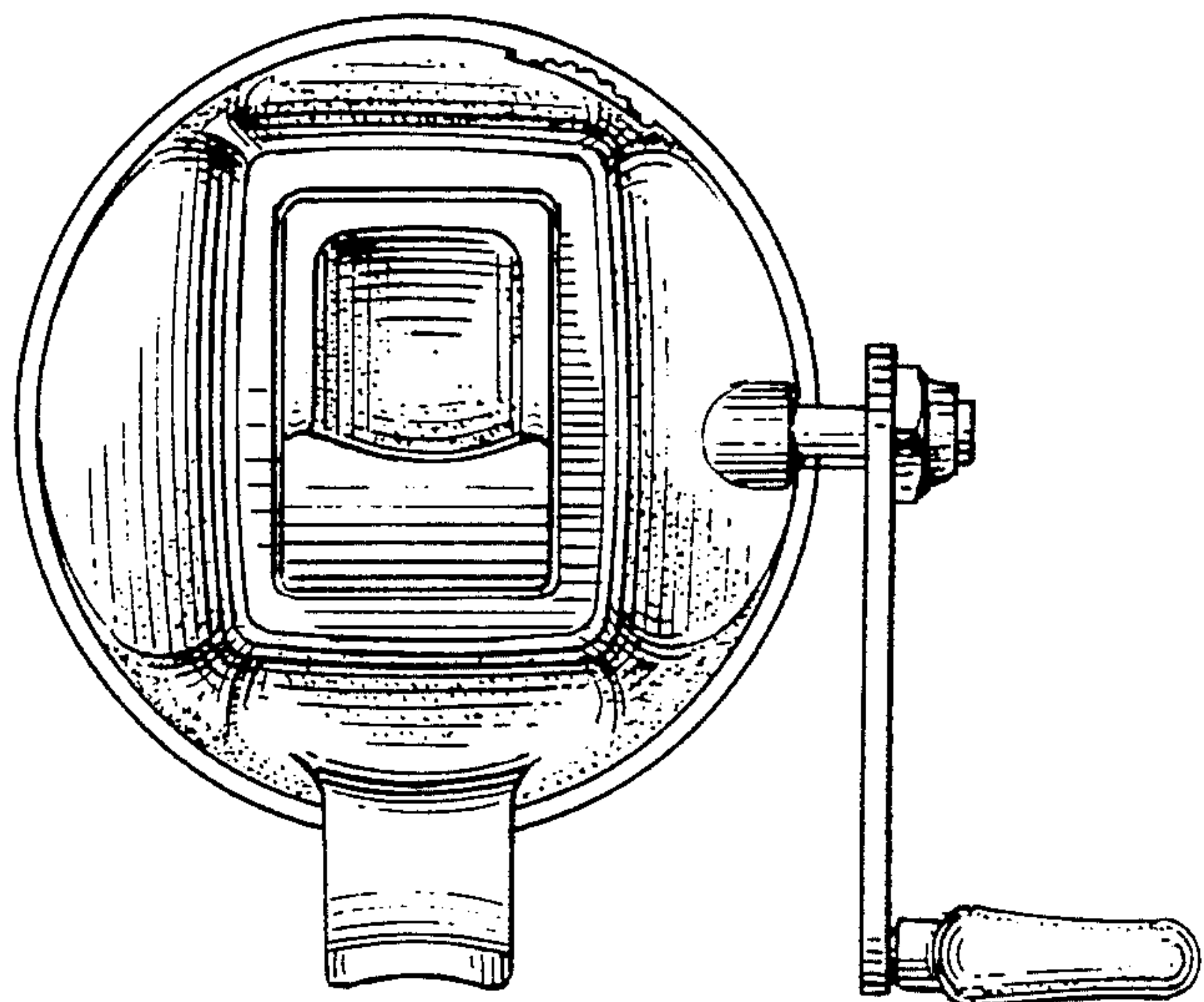


FIG. 3

FIG. 4



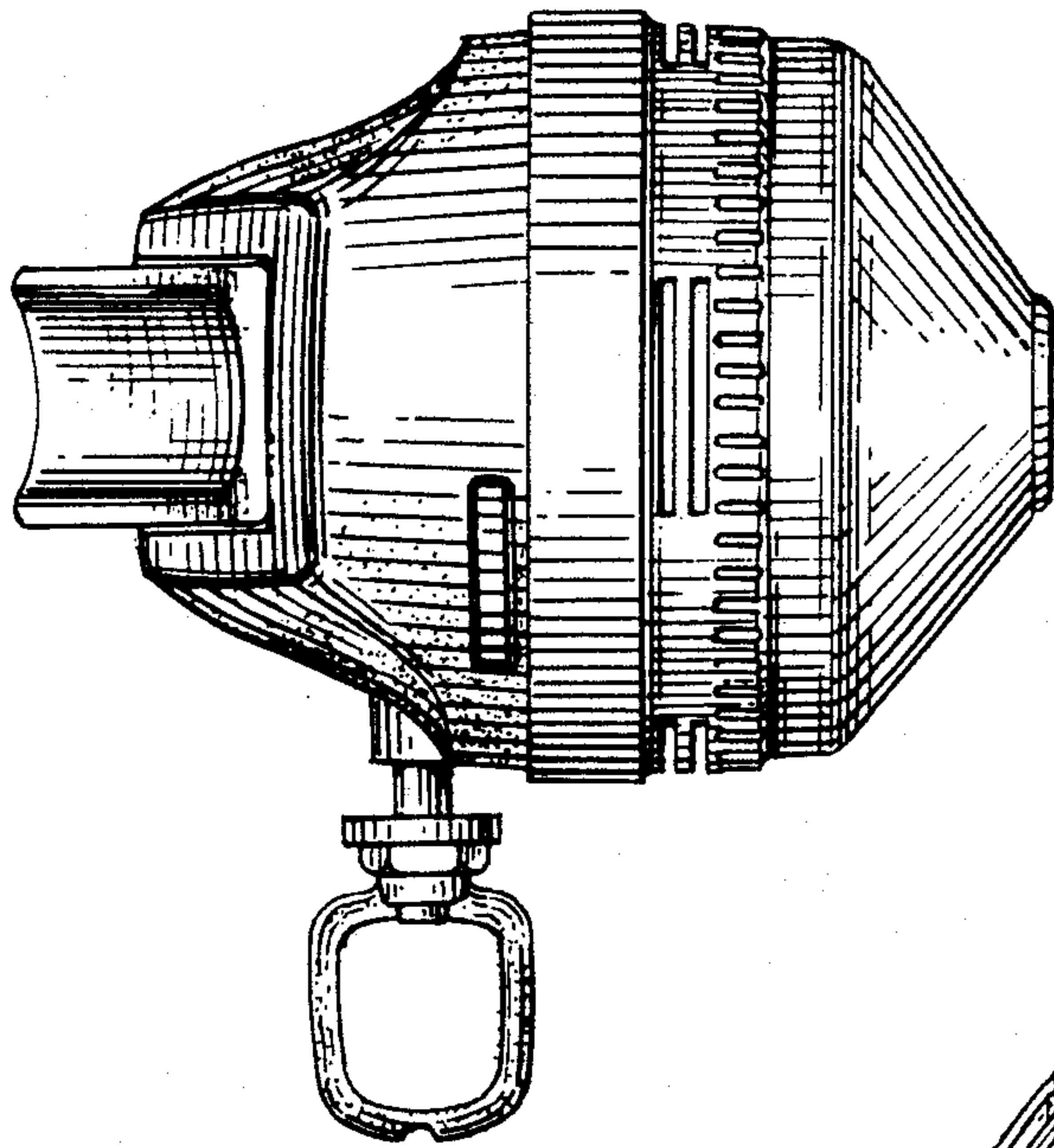


FIG. 5

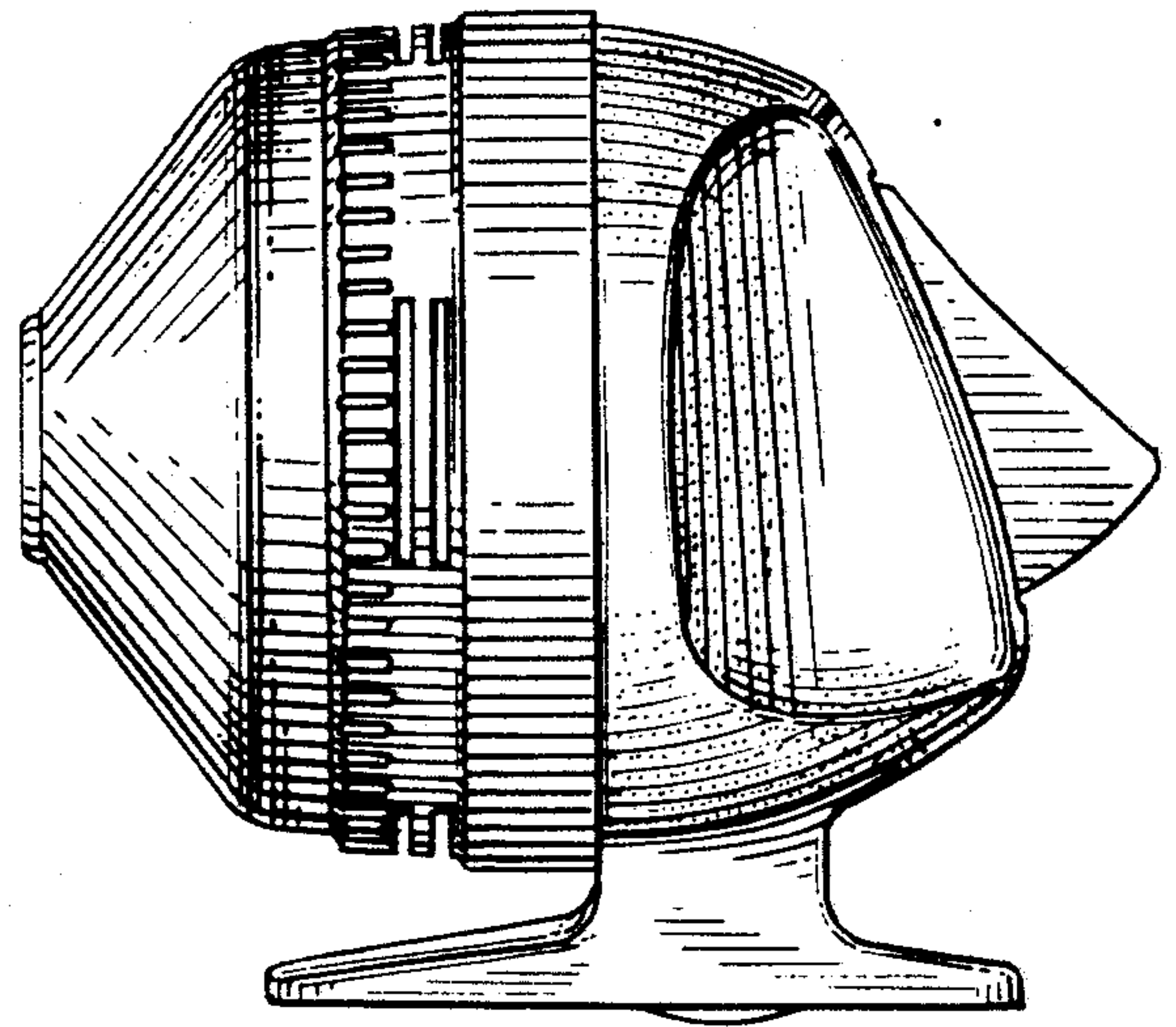


FIG. 6

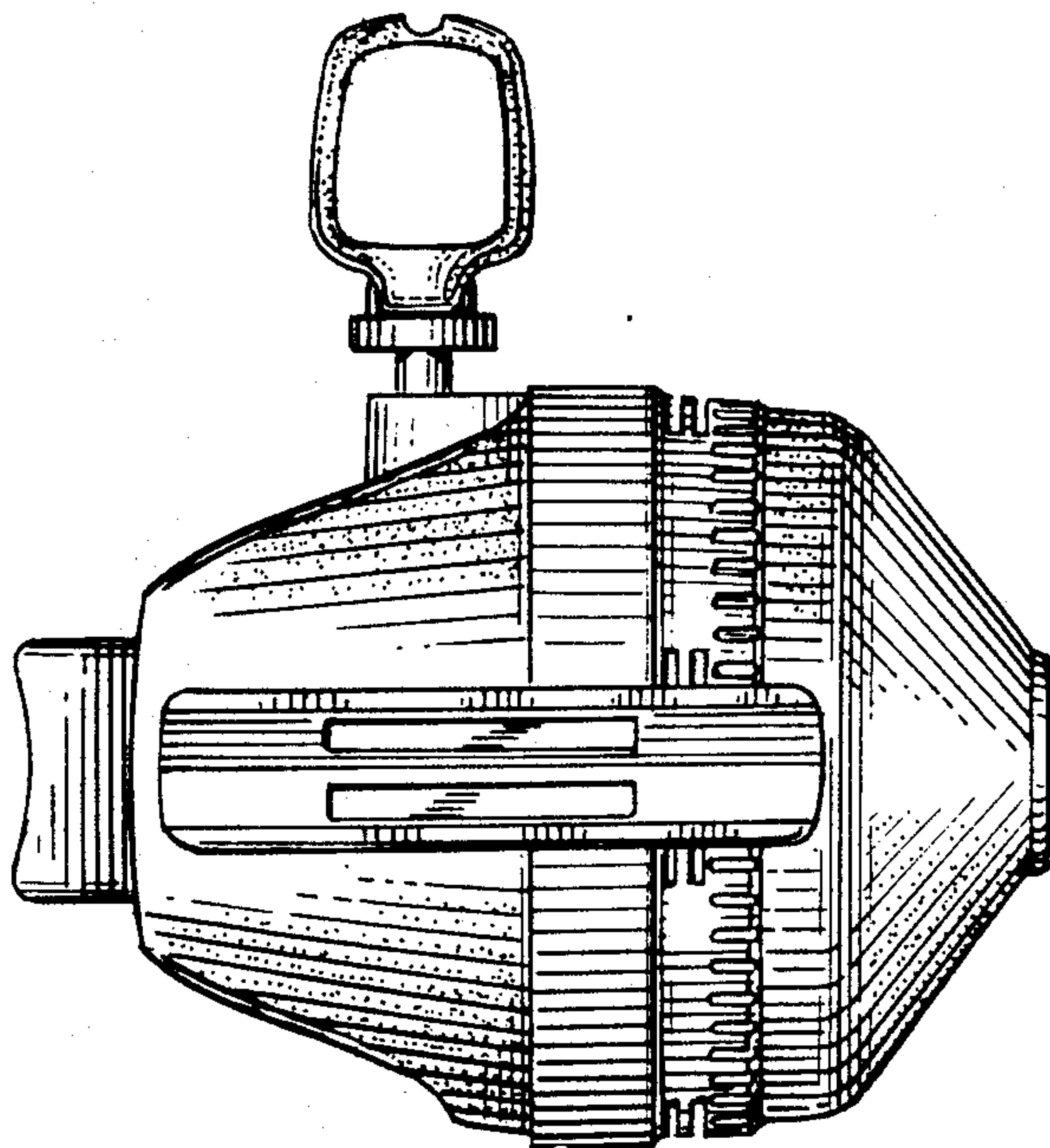


FIG. 7