

[54] **FISHING REEL SPOOL**

[75] **Inventor: Kaname Yamaguchi, Tokyo, Japan**

[73] **Assignee: Daiwa Seiko, Inc., Tokyo, Japan**

[**] **Term: 14 Years**

[21] **Appl. No.: 687,398**

[22] **Filed: Dec. 28, 1984**

[30] **Foreign Application Priority Data**

Jul. 4, 1984 [JP] Japan 59-27626
[52] **U.S. Cl.** D22/137; D8/358
[58] **Field of Search** 242/84.1 R, 84.2 J,
242/84.2 R; D8/358, 359; D22/137

[56]

References Cited

U.S. PATENT DOCUMENTS

D. 215,952 11/1965 Michaels D8/358 X
2,434,479 1/1948 Allen D22/137 X
3,979,082 9/1976 Morishita 242/84.2 R

Primary Examiner—A. Hugo Word
Attorney, Agent, or Firm—Sughrue, Mion, Zinn,
Macpeak & Seas

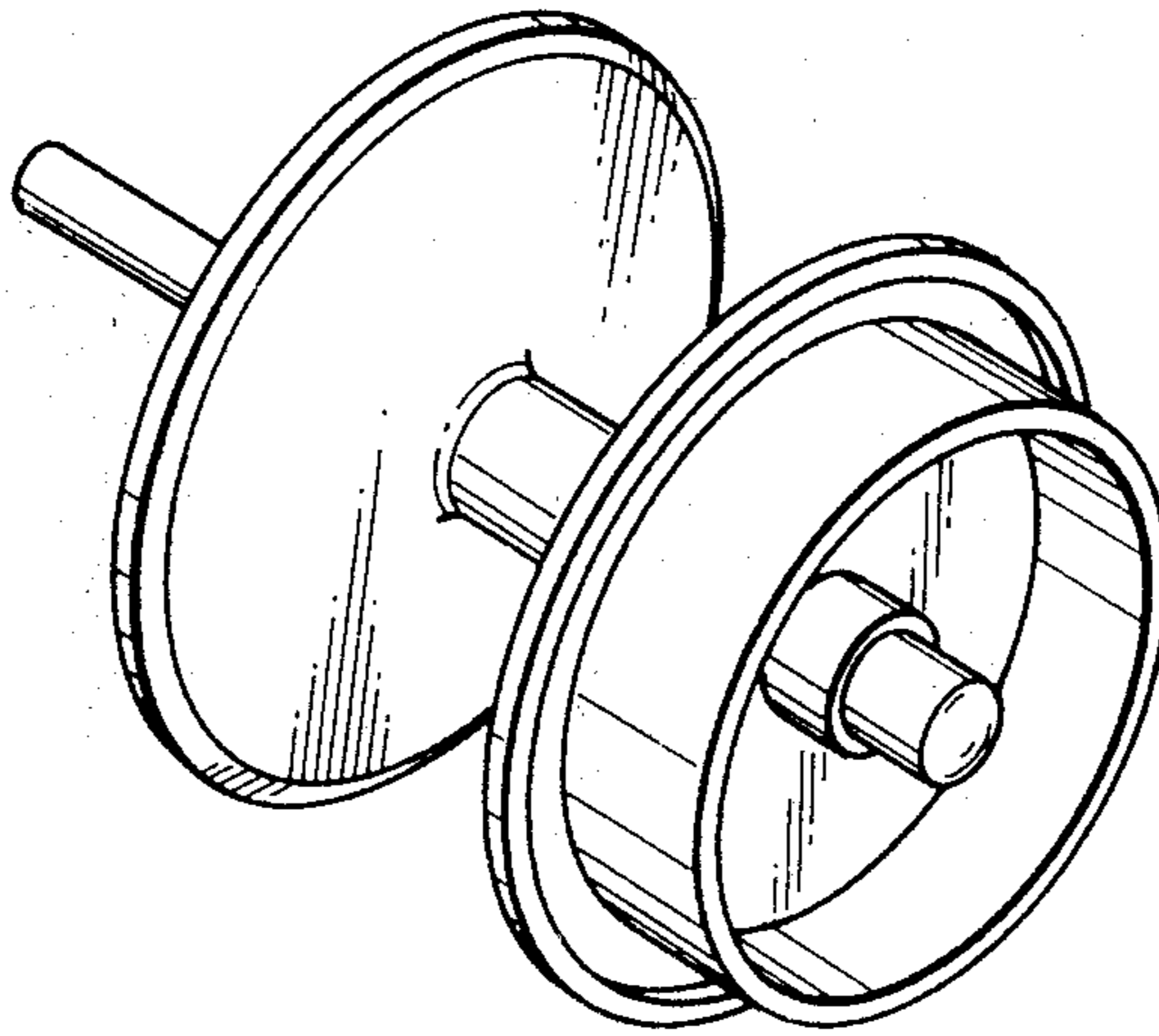
[57]

CLAIM

The ornamental design for a fishing reel spool, as shown and described.

DESCRIPTION

FIG. 1 is a perspective view of a fishing reel spool showing my new design;
FIG. 2 is a front elevational view thereof;
FIG. 3 is a left side elevational view thereof;
FIG. 4 is a top plan view thereof, the bottom being a mirror image thereof; and
FIG. 5 is a right side elevational view thereof.



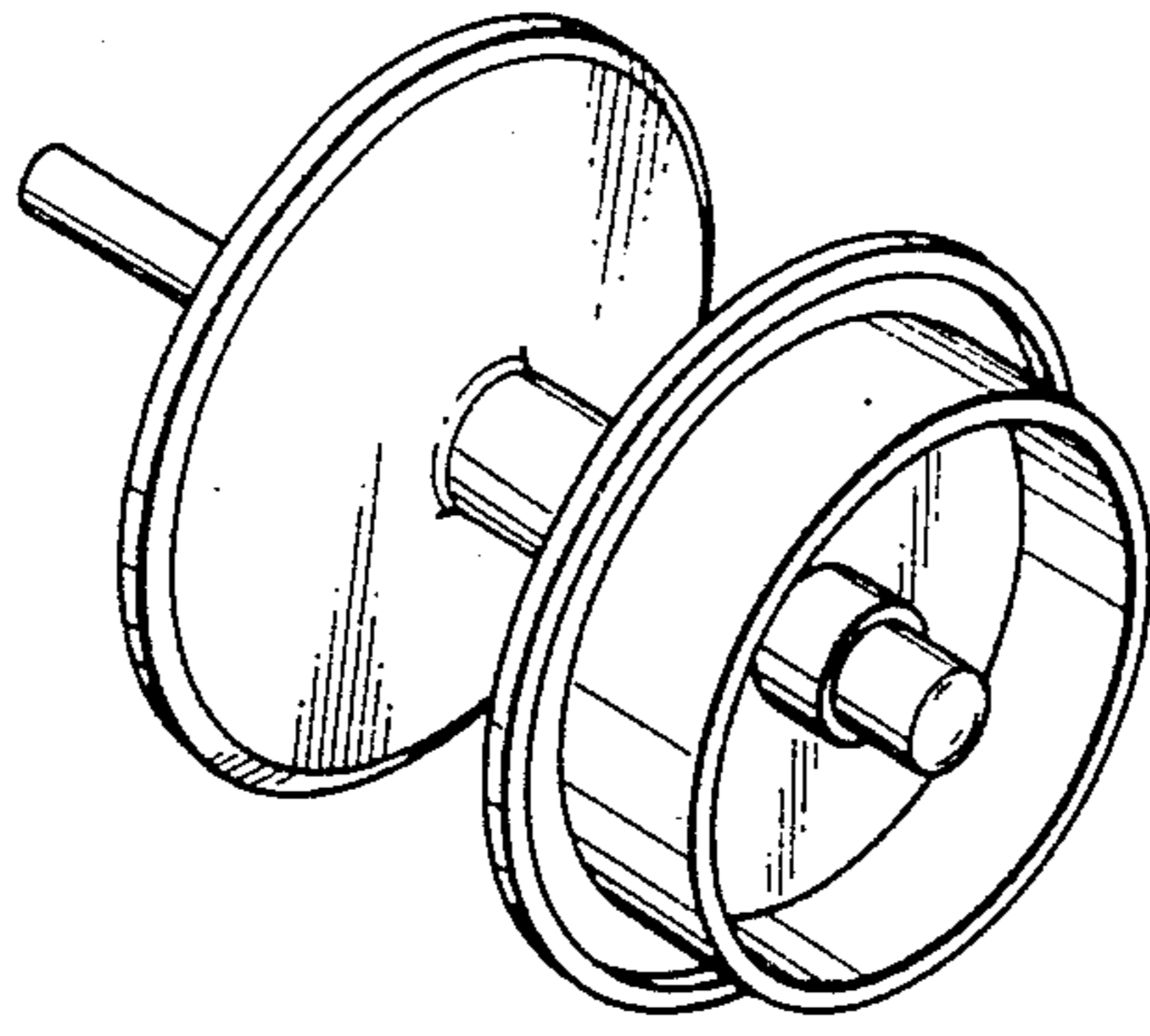


Fig. 1

Fig. 2

Fig. 3

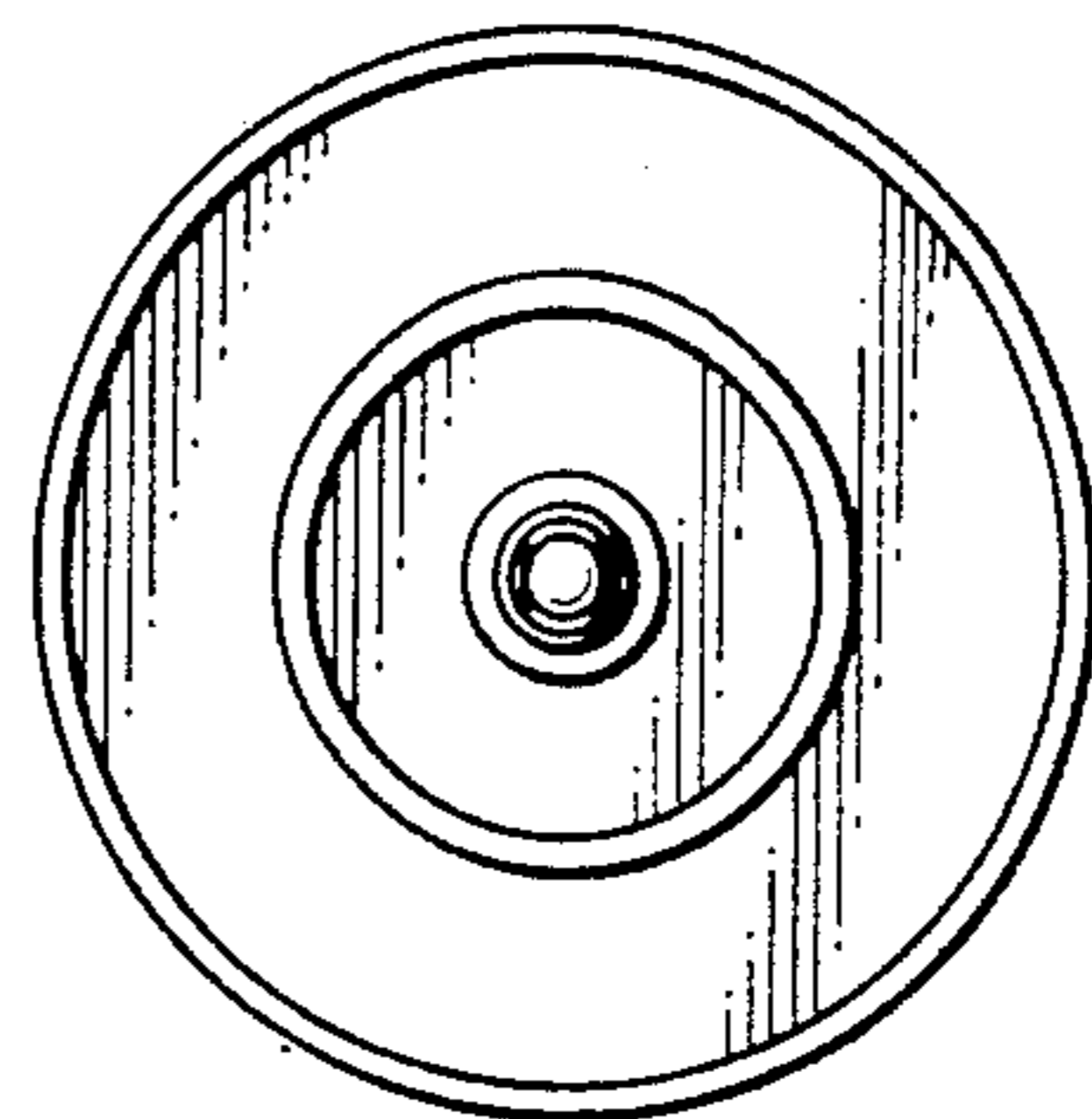
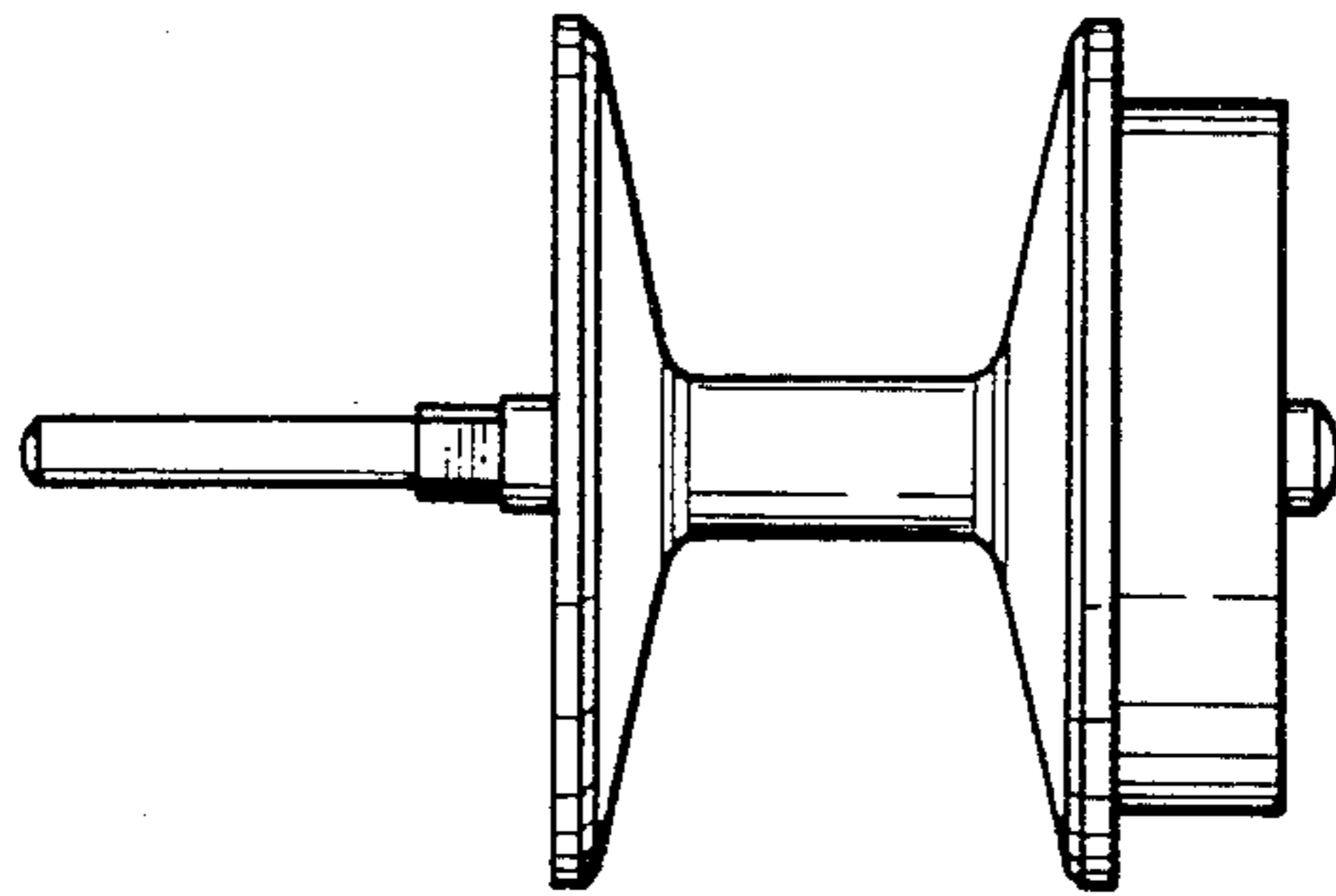


Fig. 4

Fig. 5

