

[54] GOLF CLUB HEAD

[76] Inventor: Anthony J. Antonious, 205 E. Joppa Rd., Towson, Md. 21204

[**] Term: 14 Years

[21] Appl. No.: 653,533

[22] Filed: Sep. 24, 1984

[52] U.S. Cl. D21/219

[58] Field of Search D21/217-219; 273/167-175, 163 R, 164, 77 R, 78

[56] References Cited

U.S. PATENT DOCUMENTS

D. 217,873	6/1970	Steele	D21/217
D. 240,749	7/1976	Benson	D21/219
D. 255,373	6/1980	Solheim	D21/219
4,136,877	1/1979	Antonious	273/164

OTHER PUBLICATIONS

Golf Digest, Apr. 1977, p. 34, middle Putter, Lynx Frame B-1.

Primary Examiner—Melvin B. Feifer
Attorney, Agent, or Firm—N. J. Aquilino

[57] CLAIM

The ornamental design for a golf club head, as shown and described.

DESCRIPTION

FIG. 1 is a perspective view of a golf club head showing my new design; the broken lines representing a shaft portion are for illustrative purposes only.

FIG. 2 is a rear elevational view thereof.

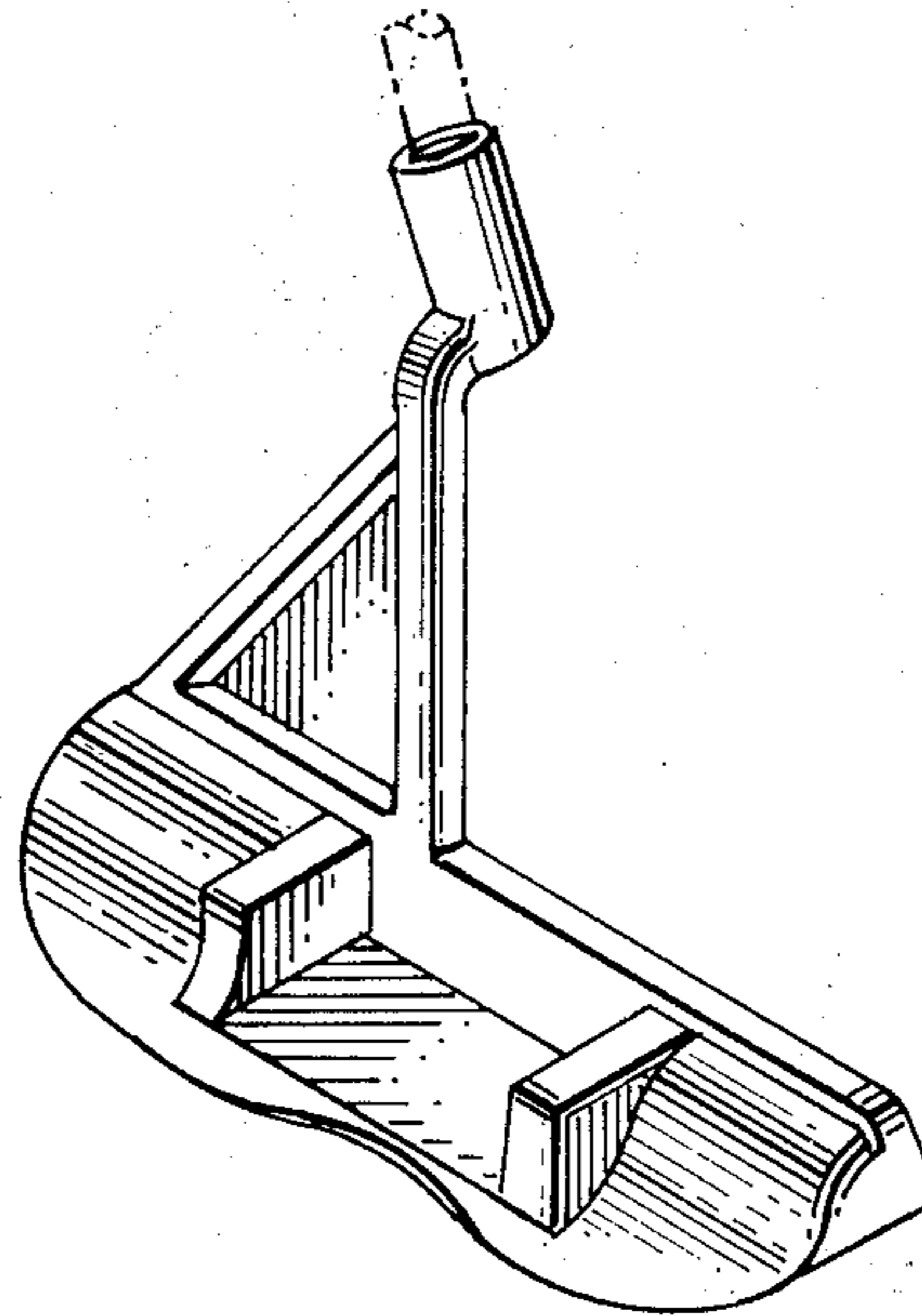
FIG. 3 is a front elevational view thereof.

FIG. 4 is an end elevational view thereof.

FIG. 5 is a top plan view thereof.

FIG. 6 is an end elevational view taken from the opposite side of FIG. 4.

FIG. 7 is a bottom view thereof.



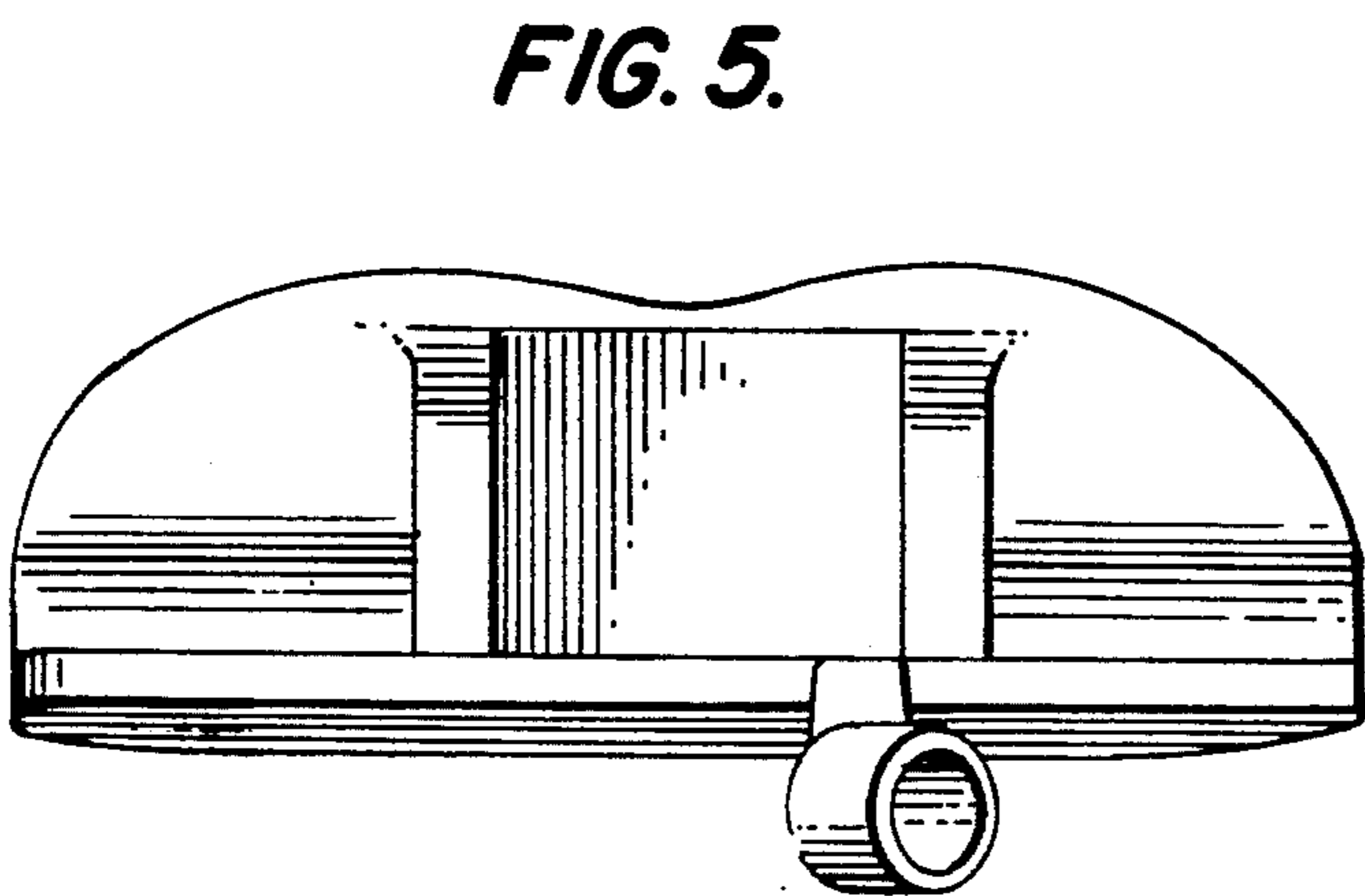
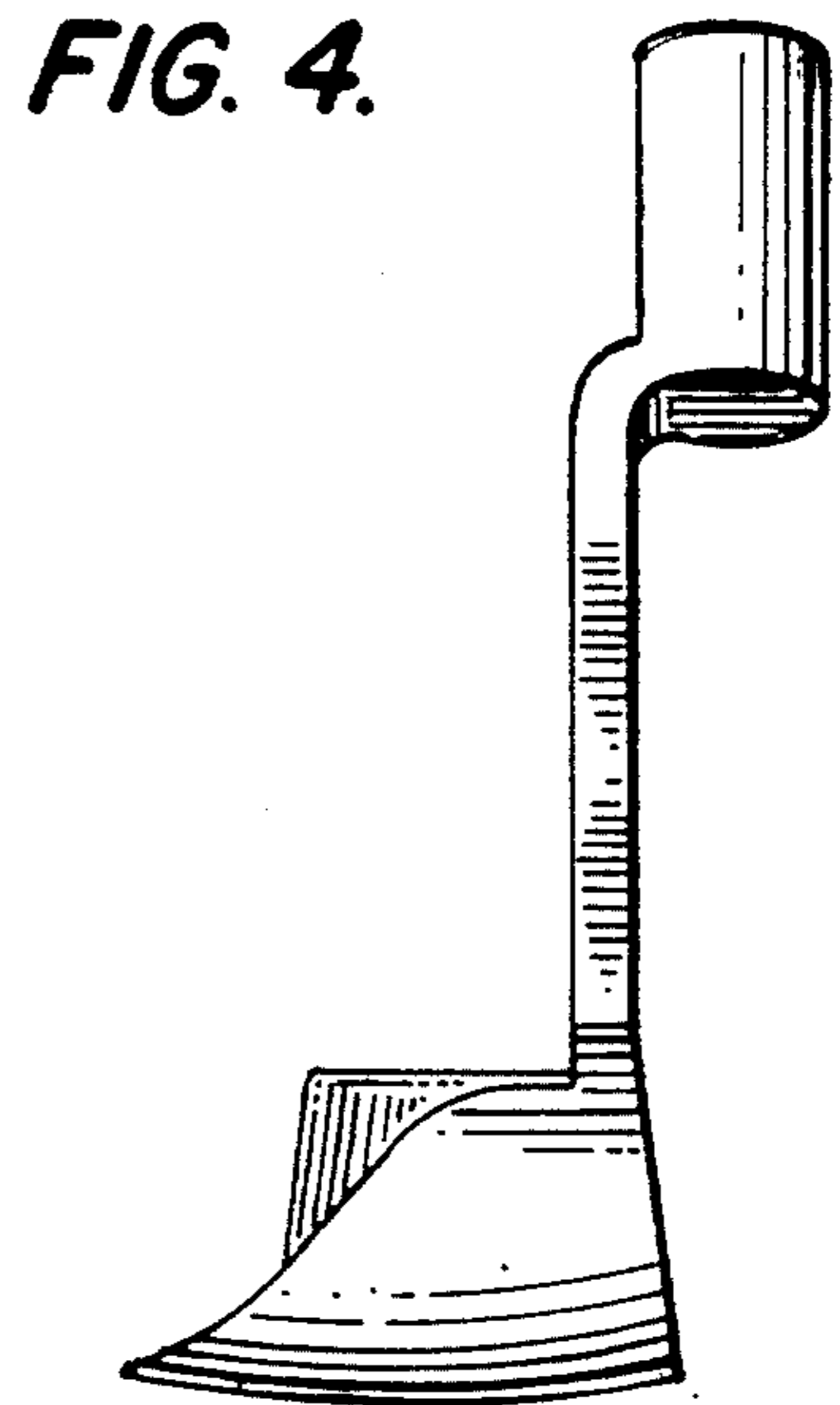
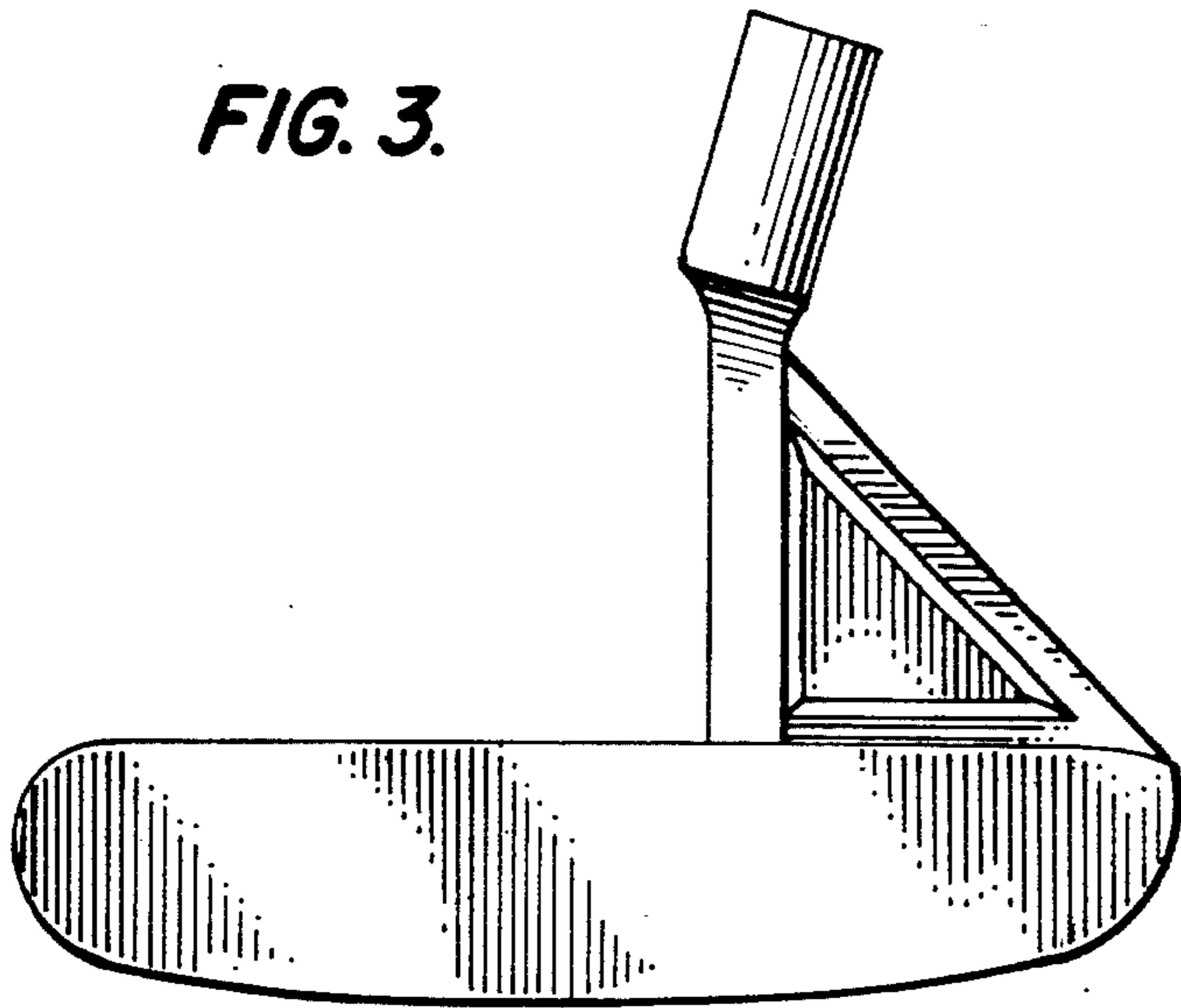
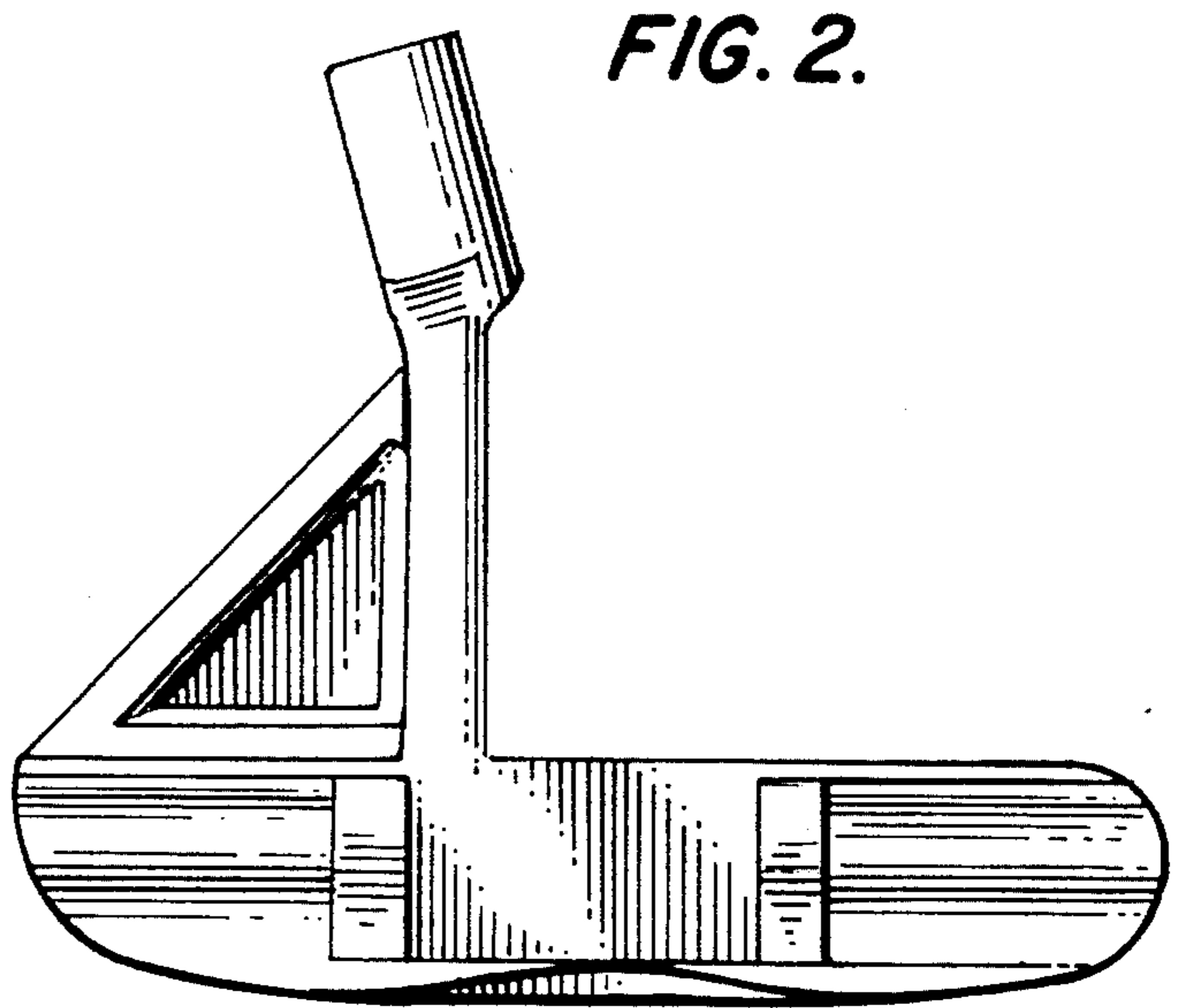
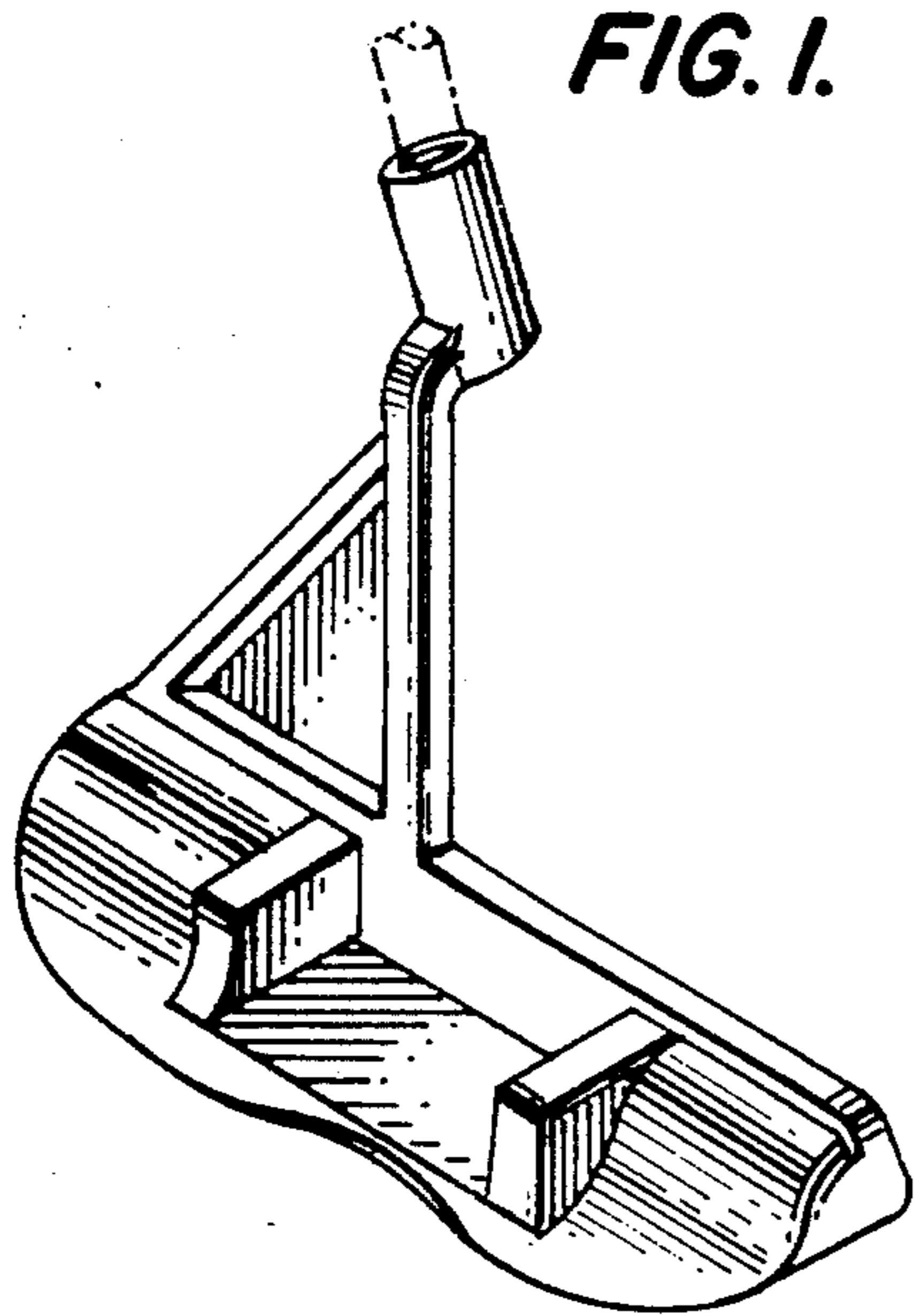


FIG. 6.

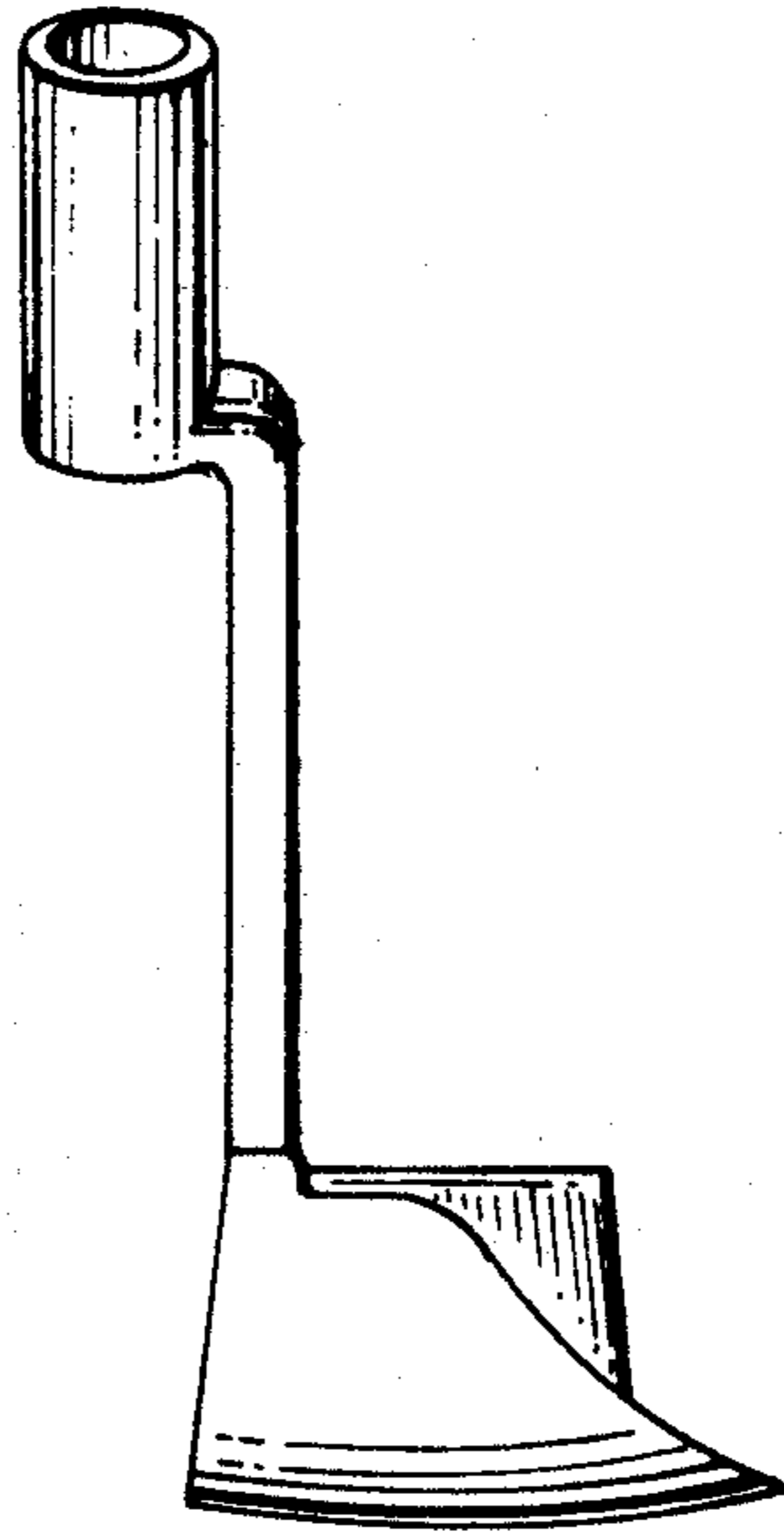


FIG. 7.

