

[54] TRAINING HARNESS FOR TRACK AND FIELD ATHLETES

Primary Examiner—Charles A. Rademaker
Attorney, Agent, or Firm—Lothrop & West

[76] Inventor: Mark L. Taylor, 5120 Pomegranate Ave., Sacramento, Calif. 95823

[57] CLAIM

The ornamental design for a training harness for track and field athletes, as shown and described.

[**] Term: 14 Years

DESCRIPTION

[21] Appl. No.: 735,909

FIG. 1 is a front perspective view of a training harness for track and field athletes showing my new design; FIG. 2 is a side elevational view thereof, the side opposite being substantially a mirror image; FIG. 3 is a front elevational view thereof; FIG. 4 is a top plan view thereof; FIG. 5 is a bottom plan view thereof; FIG. 6 is a rear elevational view thereof; and, FIG. 7 is another side elevational view thereof with the L-shaped strap and cuff members removed. The broken line showing of the human figure in FIG. 2 is for illustrative purposes only and forms no part of the claimed design.

[22] Filed: May 20, 1985

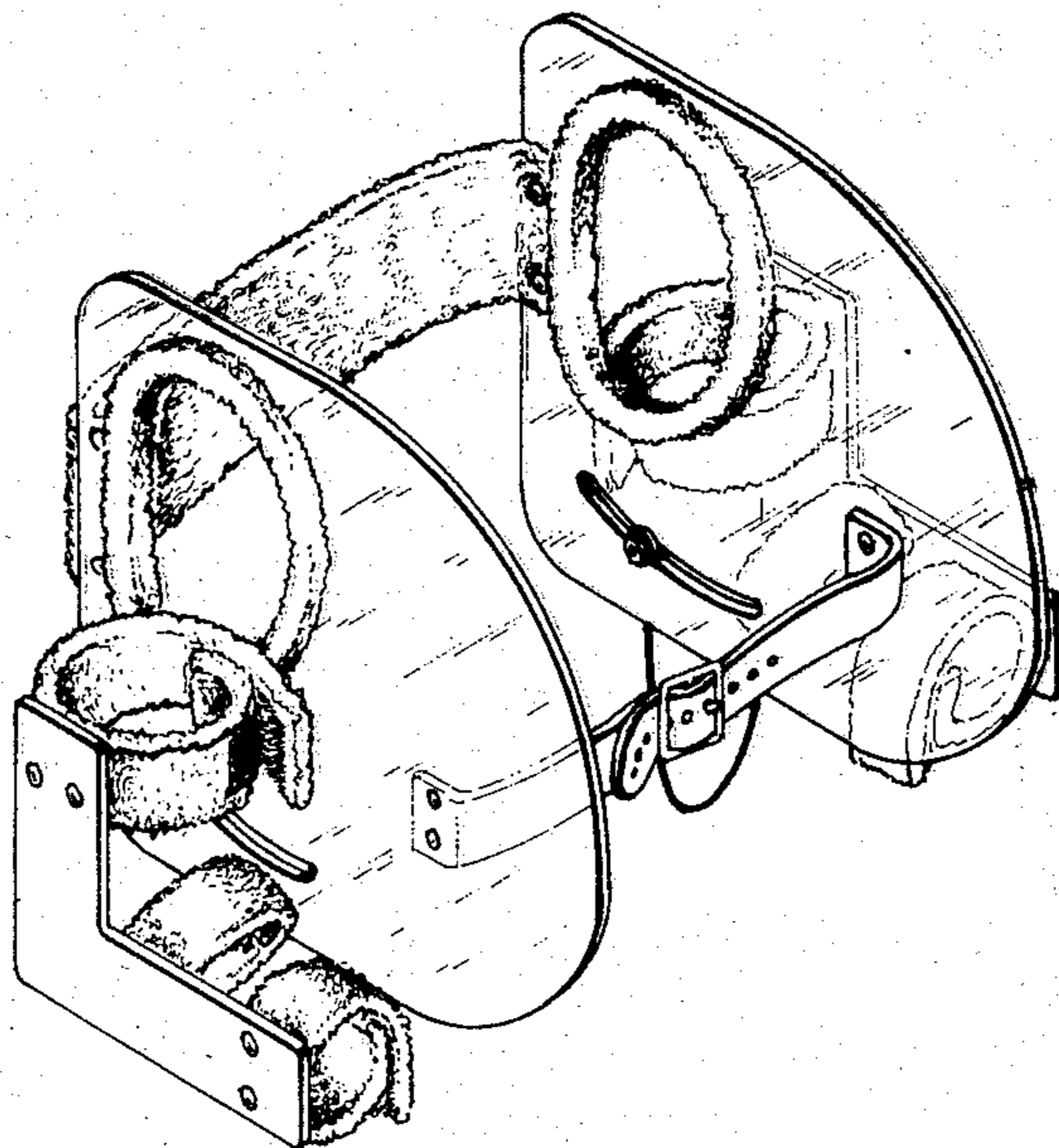
[52] U.S. Cl. D21/191

[58] Field of Search D2/27; D29/10, 11; D21/191-199; 272/119, 143, 67, 68, 93; 128/2.05 P, 2.06 F

[56] References Cited

U.S. PATENT DOCUMENTS

D. 238,208	12/1975	Hesen	D29/11
2,412,075	12/1946	Boone	D29/10
4,585,228	4/1986	Olson	272/143



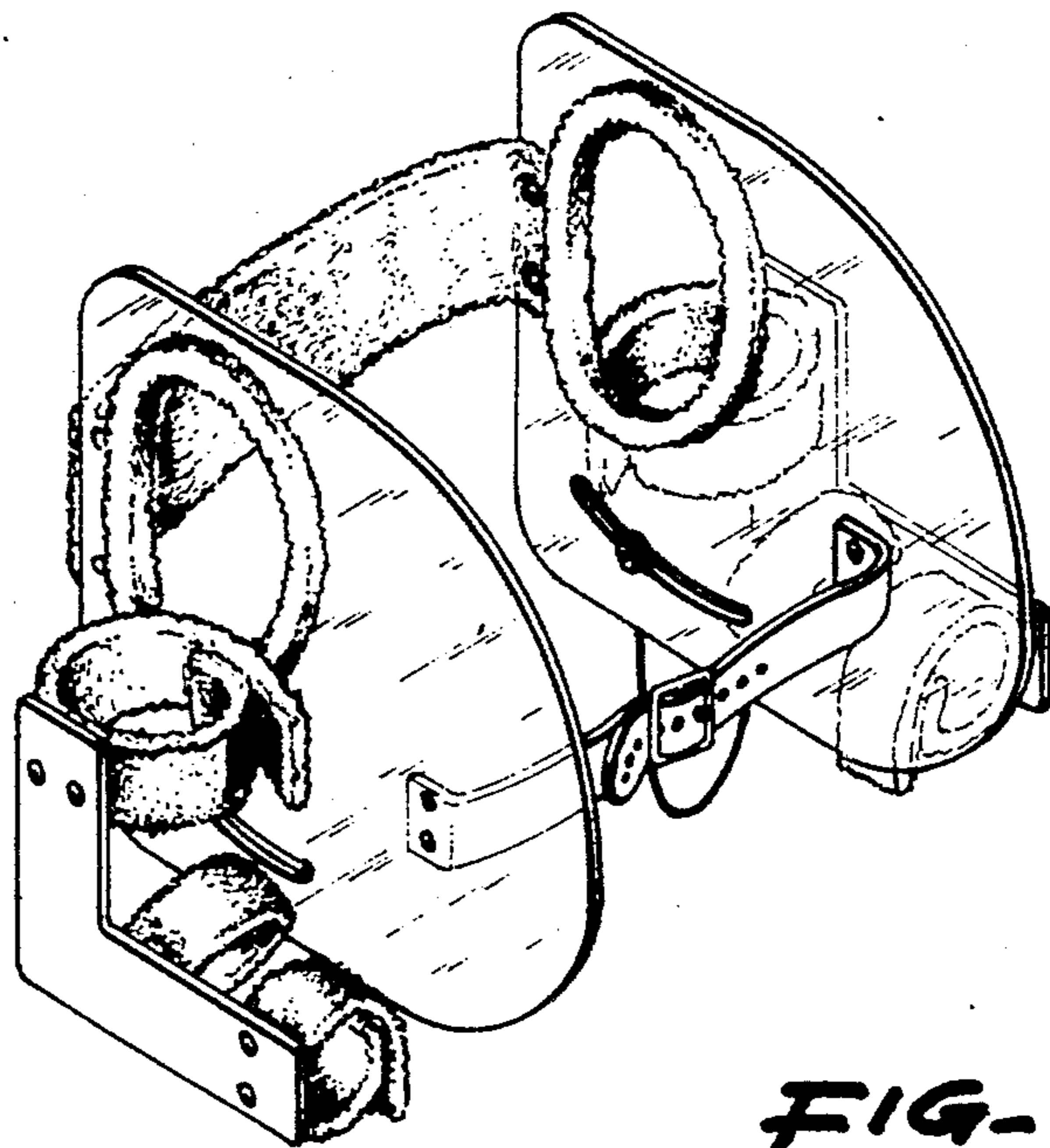


FIG-1

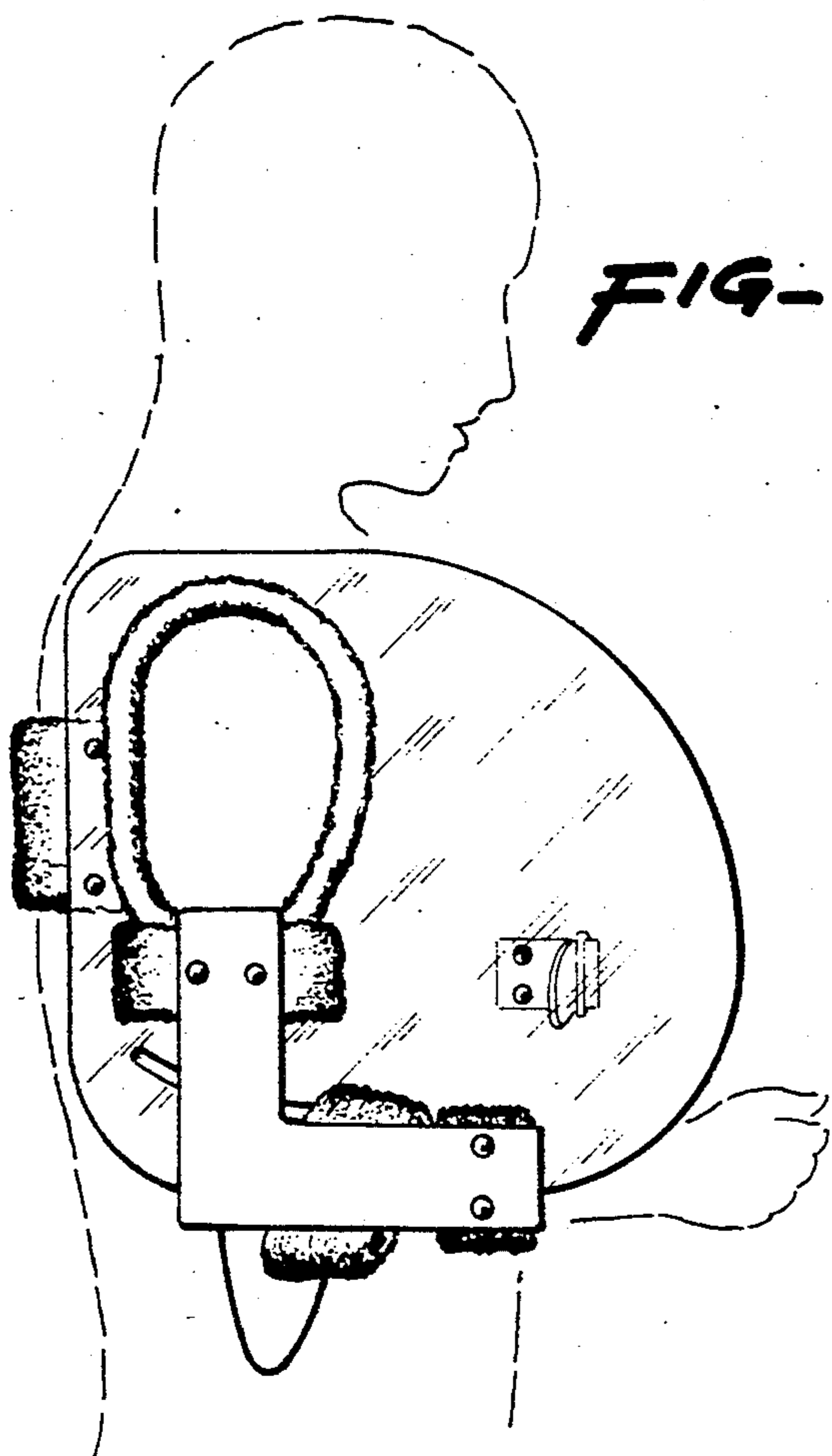


FIG-2

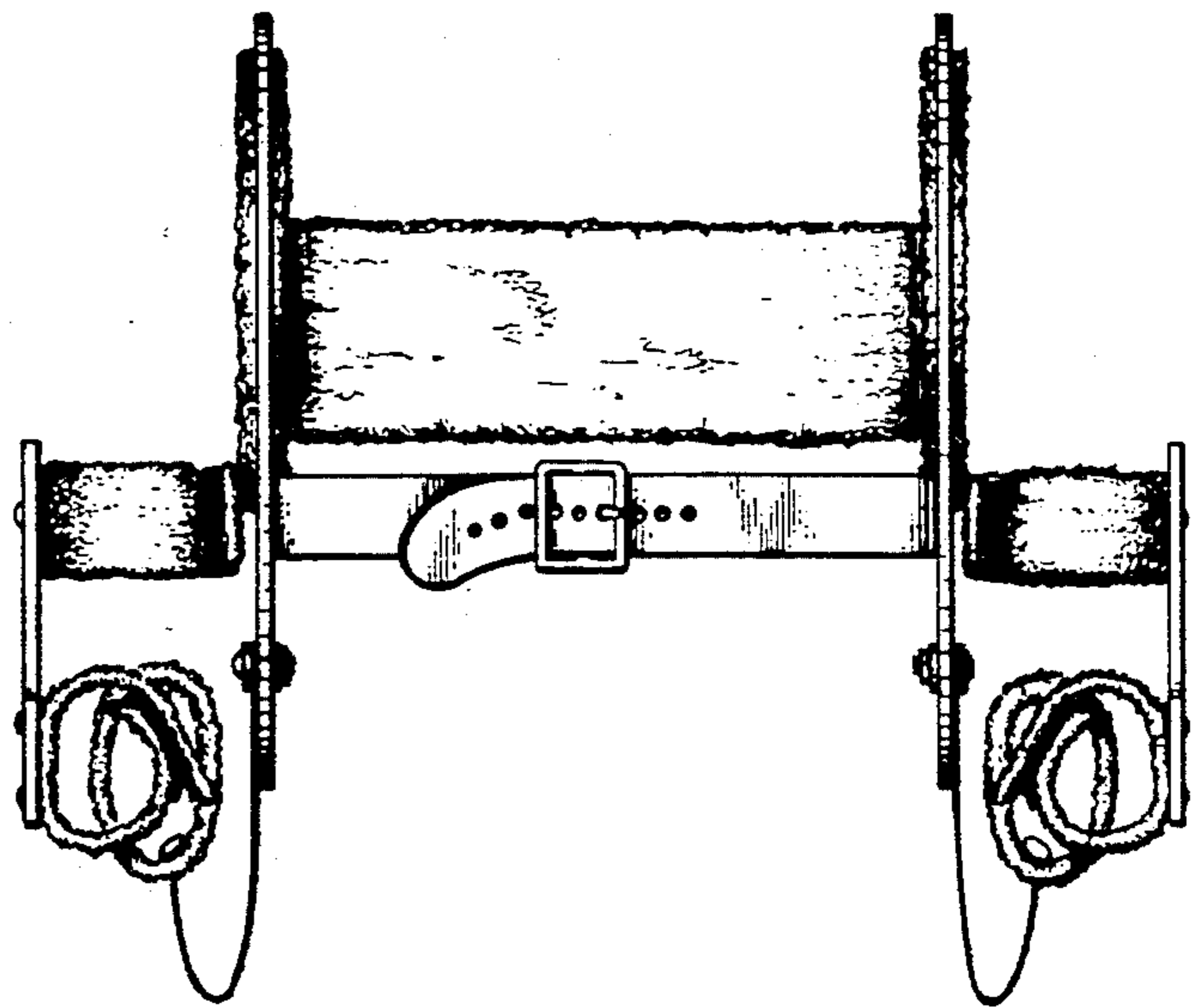


FIG-3

FIG-4

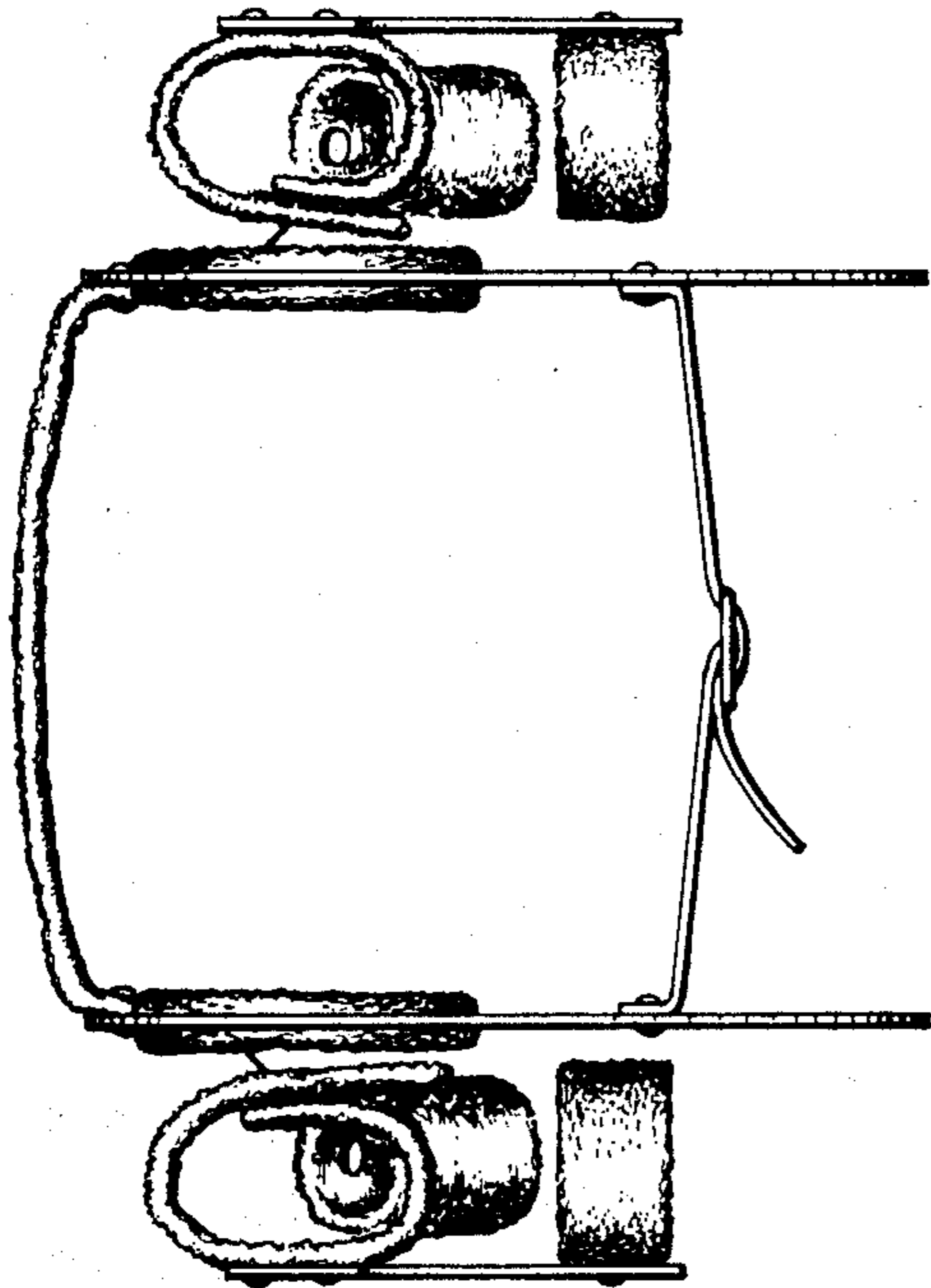


FIG-5

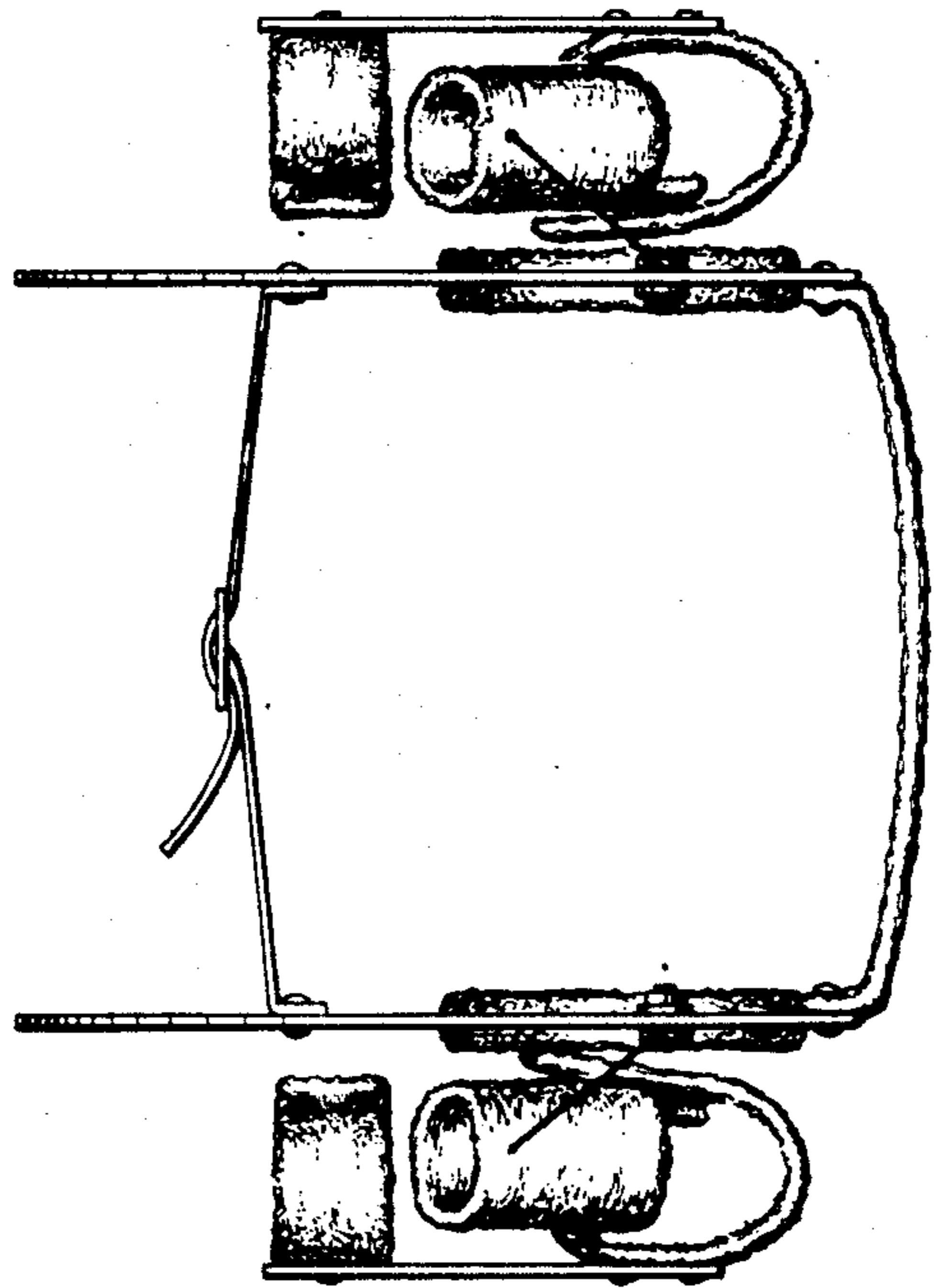


FIG-6

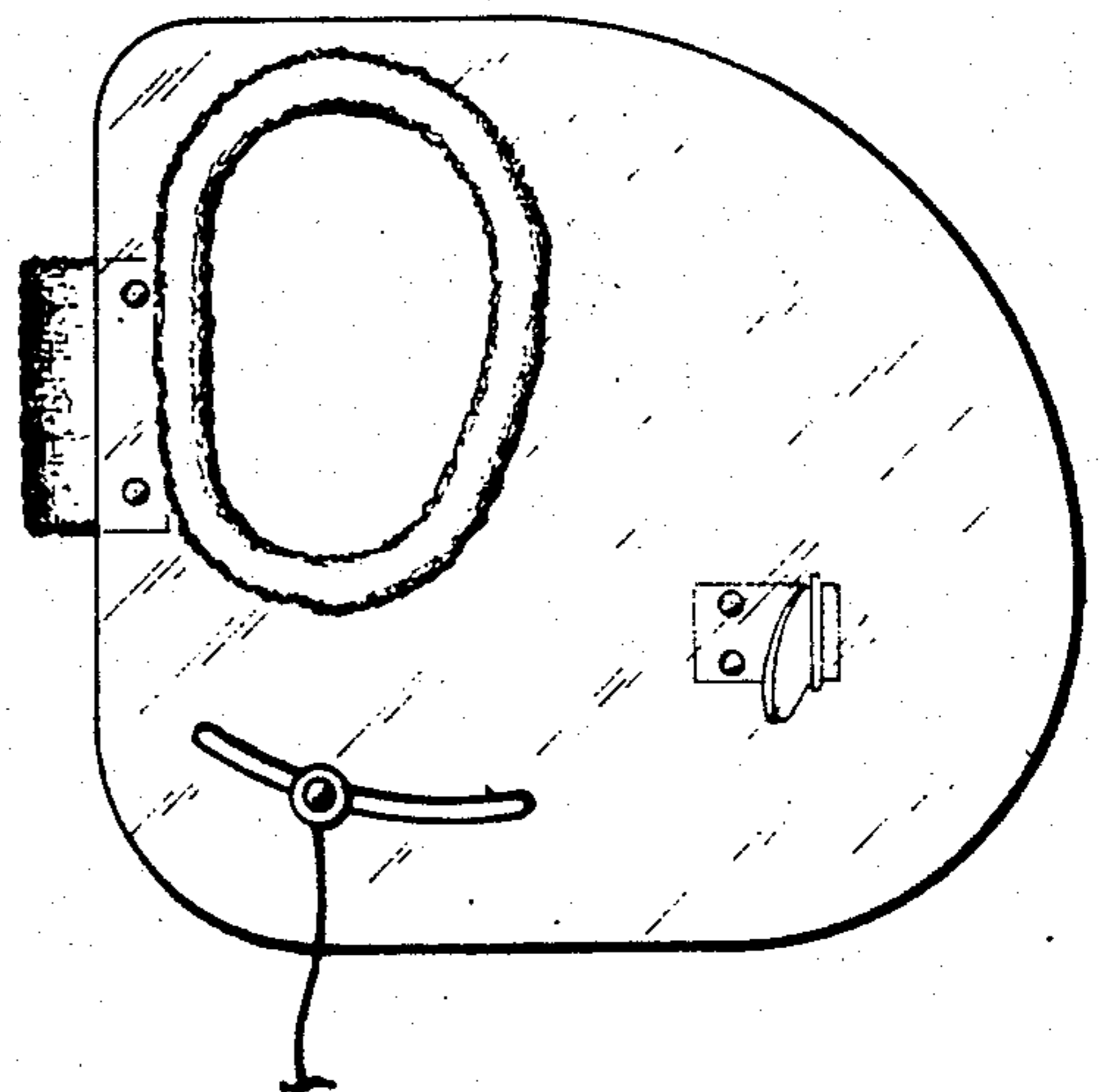
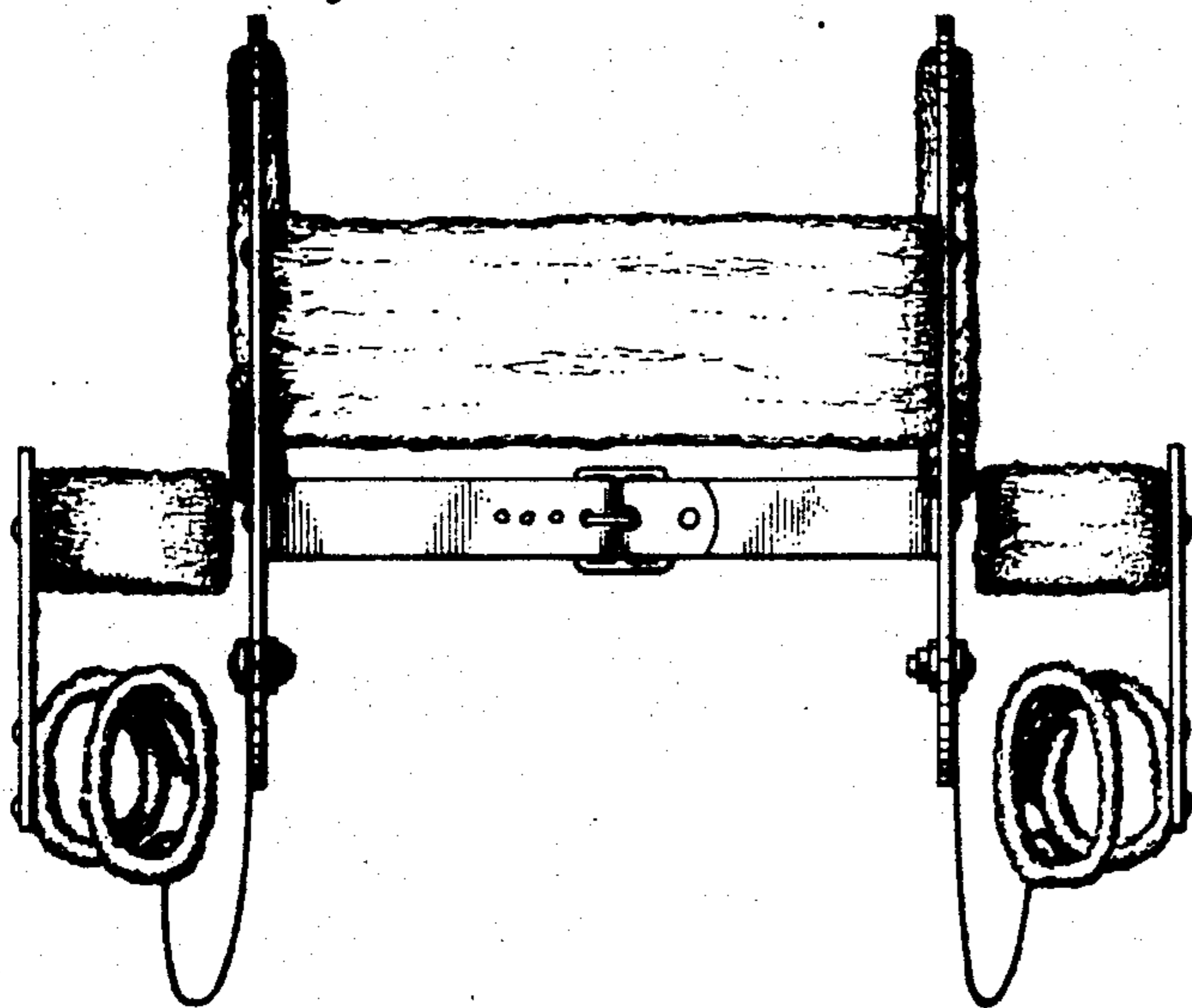


FIG-7