

[54] **PRINTER STAND**

[76] Inventor: **Beverly C. Rich**, 111 W. Timonium Rd., Timonium, Md. 21093

[**] Term: **14 Years**

[21] Appl. No.: **718,476**

[22] Filed: **Apr. 1, 1985**

[52] U.S. Cl. **D18/23; D6/419; D6/420; D6/462**

[58] Field of Search **D6/462, 463, 464, 465, D6/406, 420, 419; D18/22, 23; 211/13, 181; 248/175**

[56] **References Cited**

U.S. PATENT DOCUMENTS

D. 239,898	5/1976	Kirshenbaum et al.	D6/420 X
1,248,150	11/1917	Moody	248/175 X
1,763,420	6/1930	Crossmore et al.	248/175
1,769,190	7/1930	Rush	248/175 X
3,043,441	7/1962	Dumford	211/181 X
3,998,170	12/1976	Gordon	211/181 X

OTHER PUBLICATIONS

IBM Technical Disclosure Bulletin, vol. 4, No. 1, Jun. 1961, p. 1; Fan-Fold Paper Rack.

The Moore Computer Supplies Cat., Spring-Summer 1982, p. 46; Reader Rack #A86074, bottom right on page.

Global Computer Supplies, ©1984, p. 32; Cat. #C51; "The Desk Top Printer Stand", bottom left on page.

Primary Examiner—Carmen H. Vales

Attorney, Agent, or Firm—Walter G. Finch

[57] **CLAIM**

The ornamental design for a printer stand, as shown and described.

DESCRIPTION

FIG. 1 is a perspective view of a printer stand showing my new design;

FIG. 2 is a top plan view thereof;

FIG. 3 is a rear elevational view thereof; and

FIG. 4 is a side elevational view thereof.

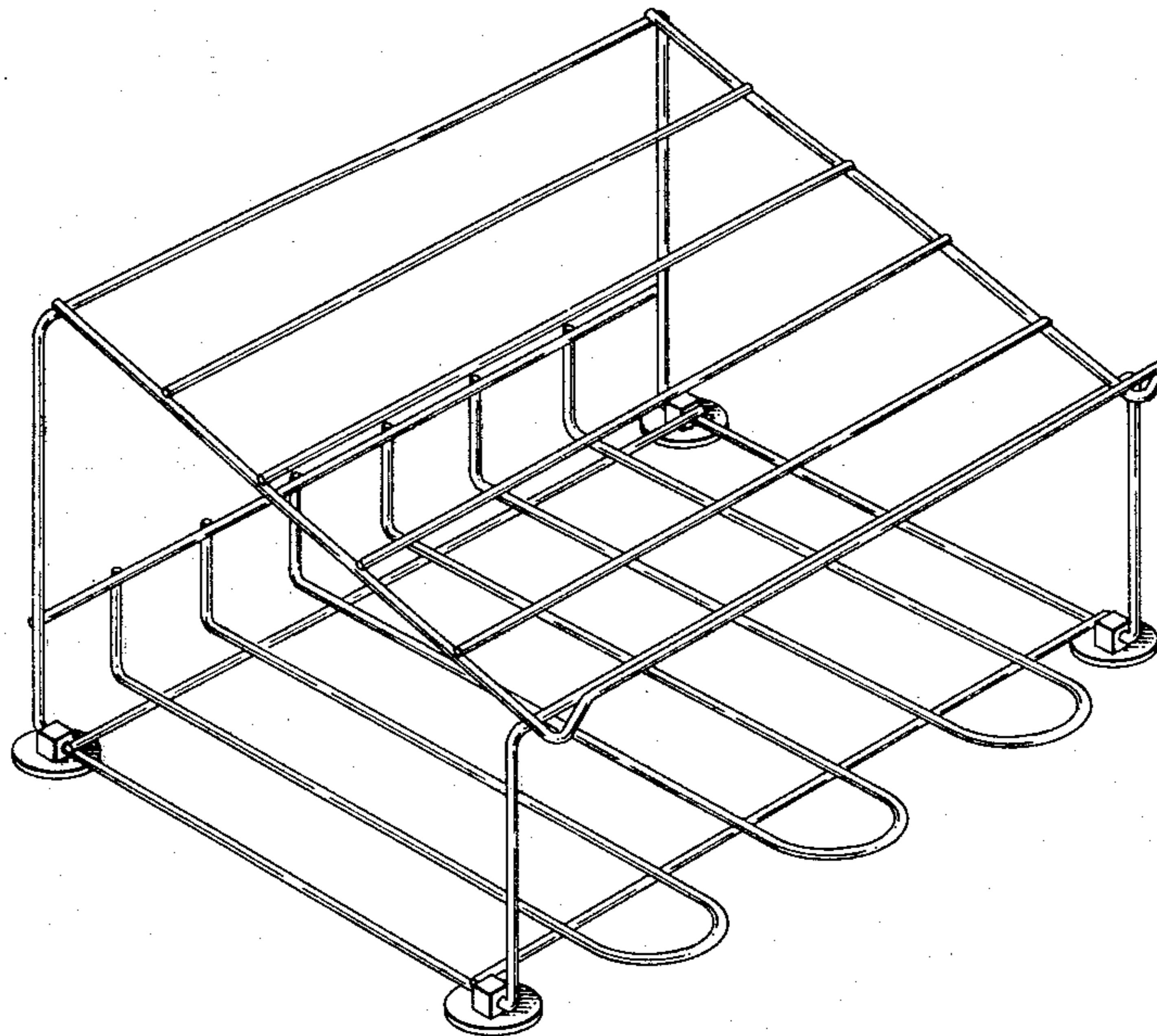


FIG. 1.

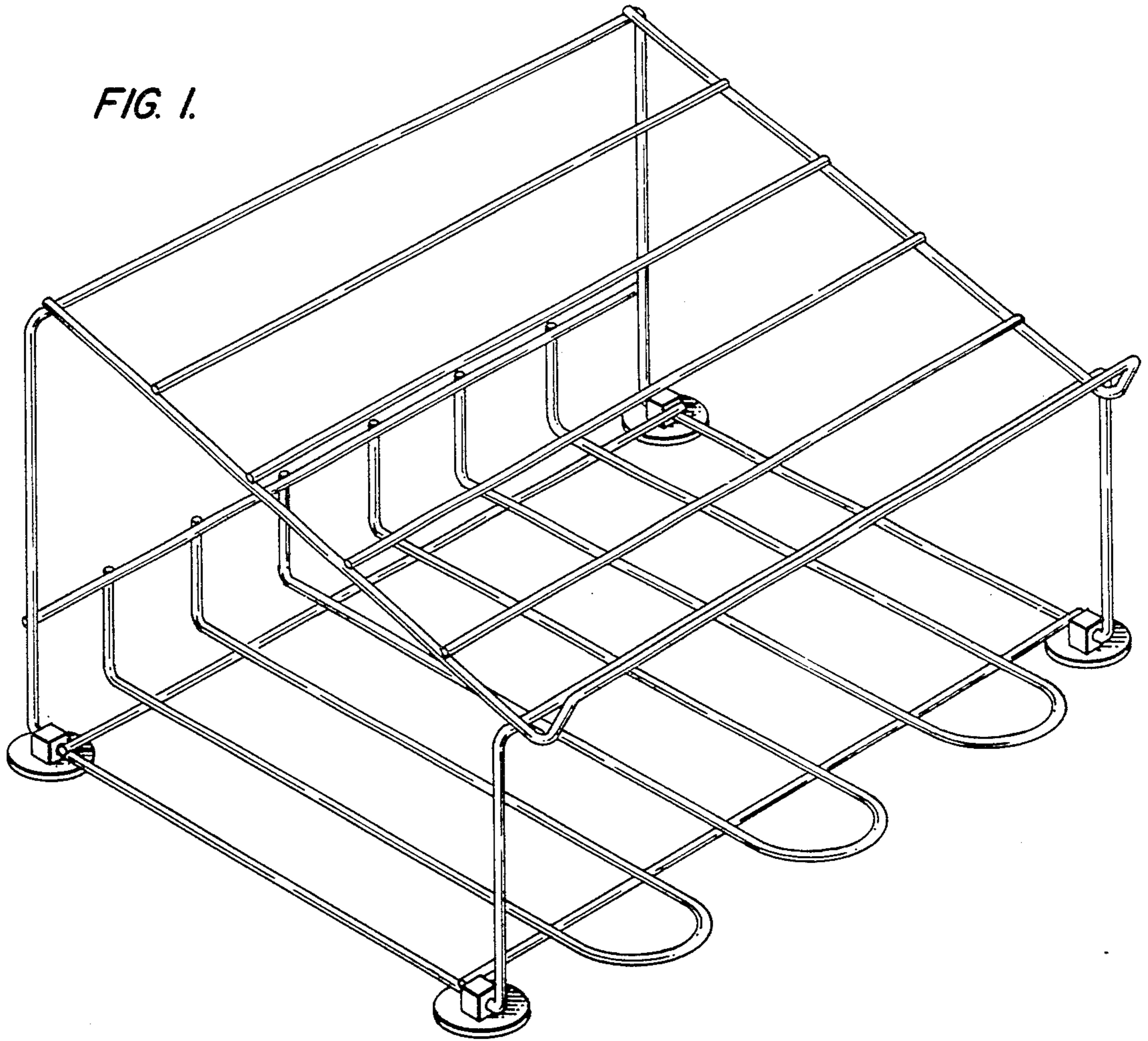


FIG. 2.

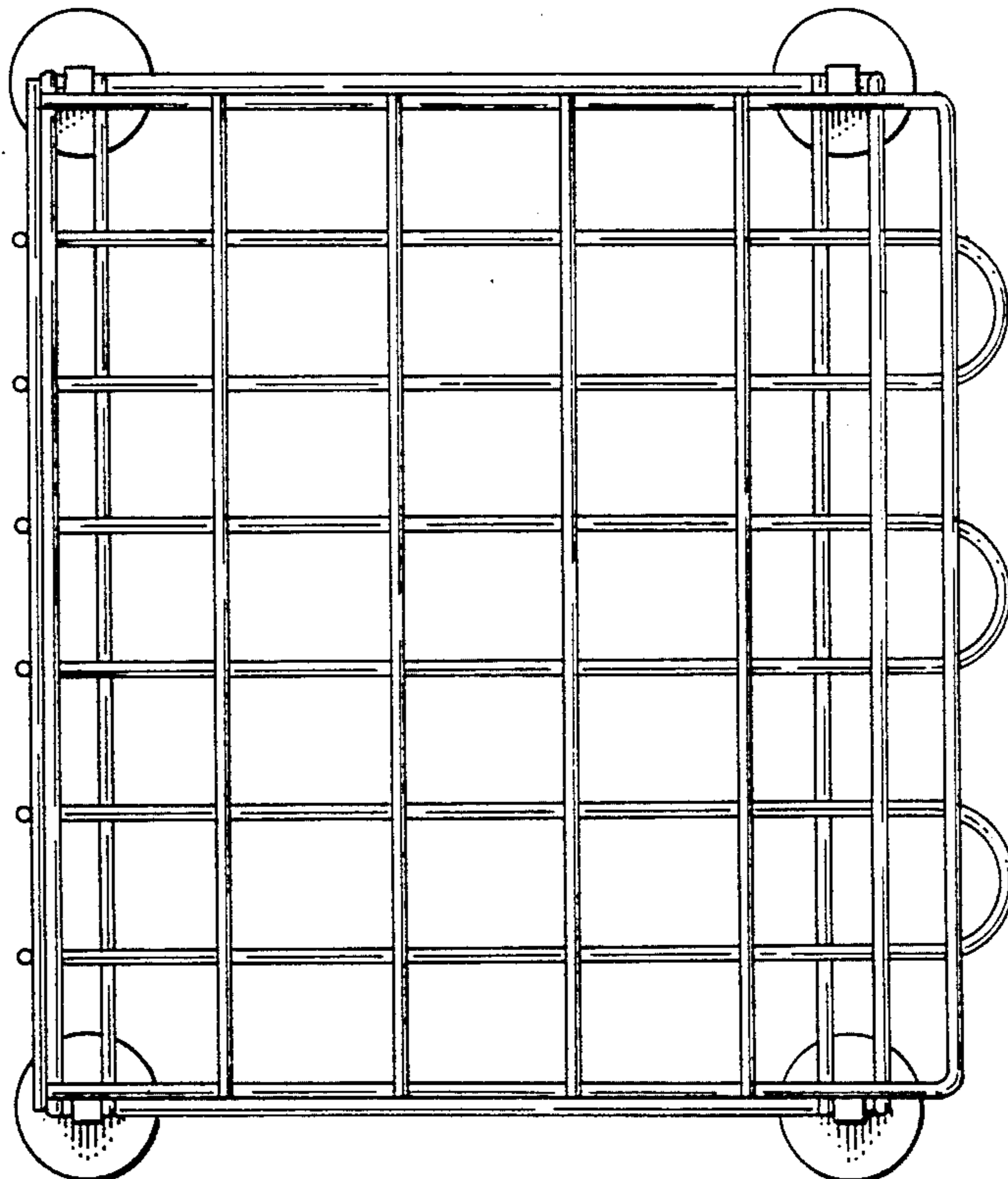


FIG. 3.

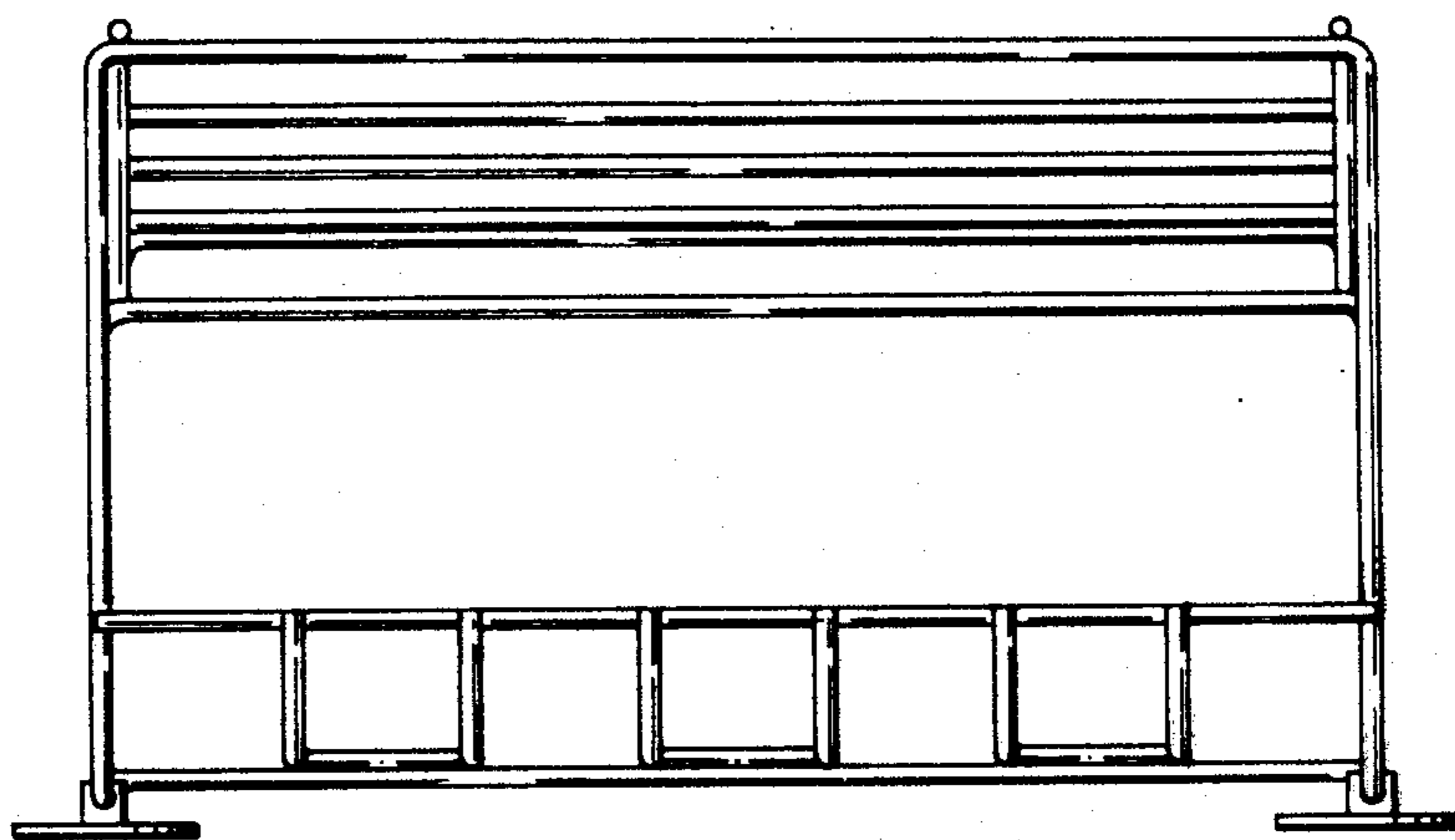


FIG. 4.

