

[54] **RECEIVING TRAY FOR A PRINTER**

[76] **Inventor: Beverly C. Rich, 111 W. Timonium Rd., Timonium, Md. 21093**

[**] **Term: 14 Years**

[21] **Appl. No.: 718,474**

[22] **Filed: Apr. 1, 1985**

[52] **U.S. Cl. D18/22**

[58] **Field of Search D18/13, 22, 23; D14/107, 111, 114; D16/30-32; D6/407, 462; 493/410; 312/208; 400/689-693**

[56] **References Cited**

U.S. PATENT DOCUMENTS

4,568,212 2/1986 Cooke et al. D18/22

OTHER PUBLICATIONS

Moore Business Center 1984 Spring Catalog, p. 29--
Printout Catcher Basket F67983.

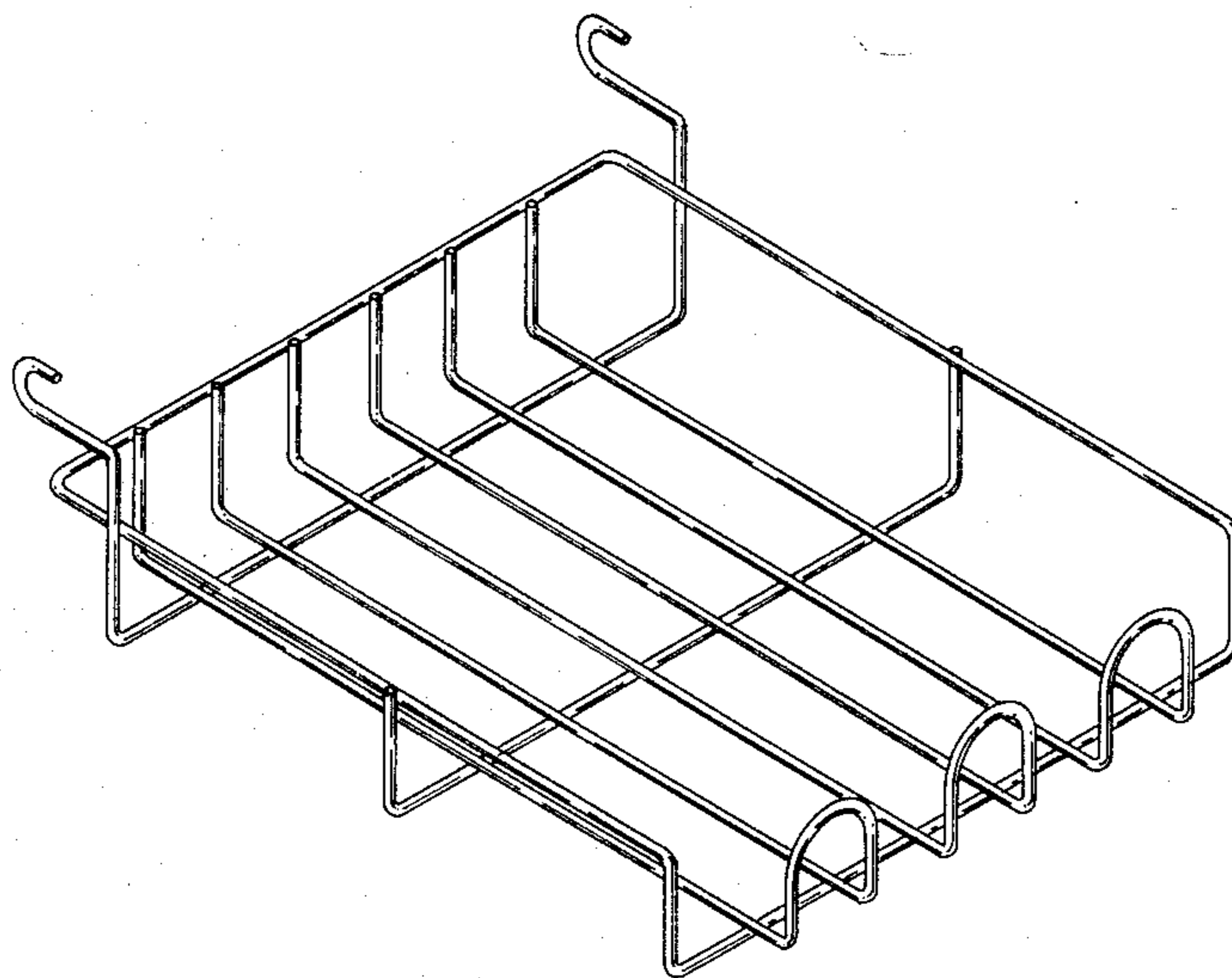
Primary Examiner—Louis S. Zarfes
Attorney, Agent, or Firm—Walter G. Finch

[57] **CLAIM**

The ornamental design for a receiving tray for a printer, as shown and described.

DESCRIPTION

FIG. 1 is a perspective view of a receiving tray for a printer showing my new design; FIG. 2 is a top plan view thereof; FIG. 3 is a left end elevational view thereof; and FIG. 4 is a rear elevational view thereof.



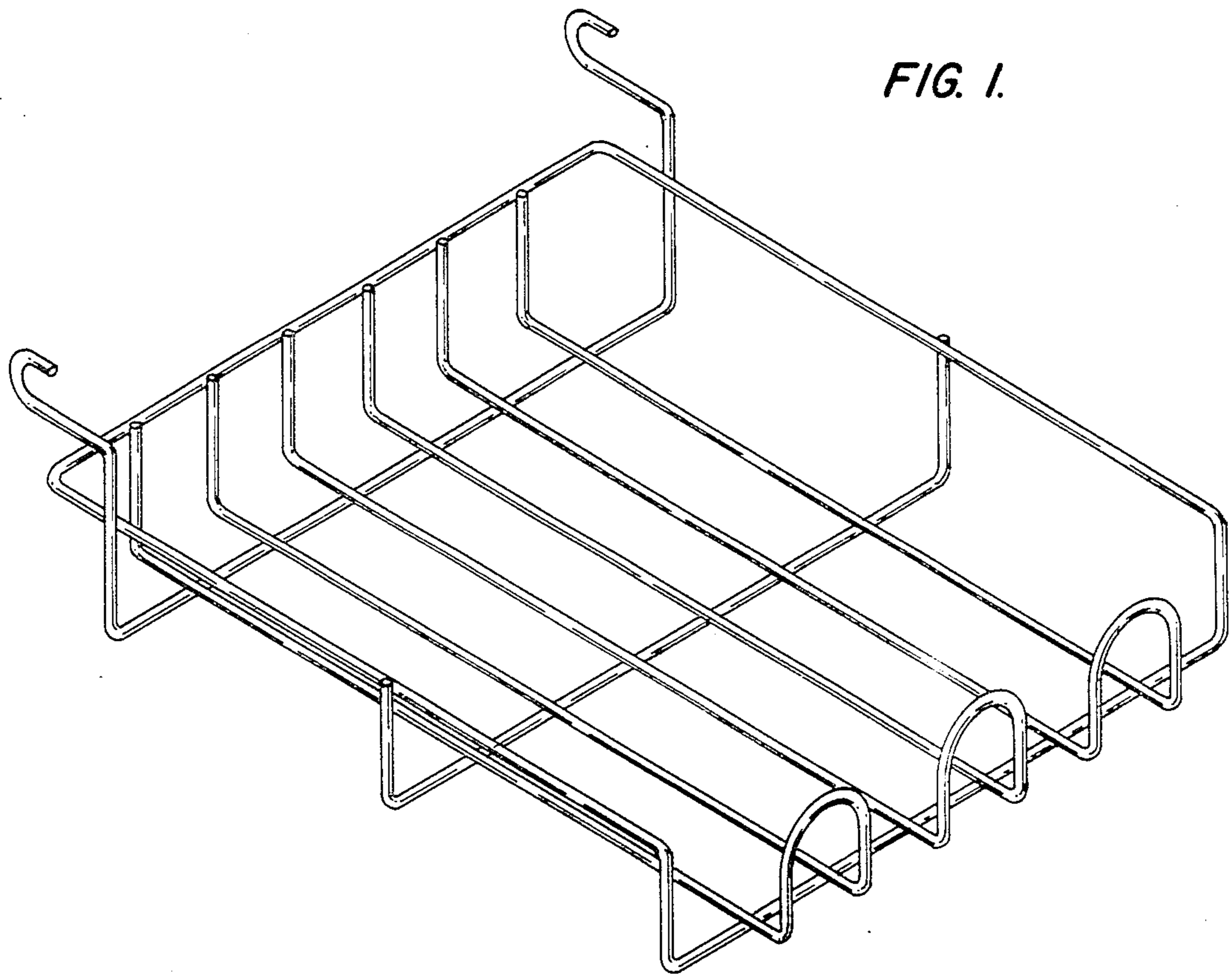


FIG. 2.

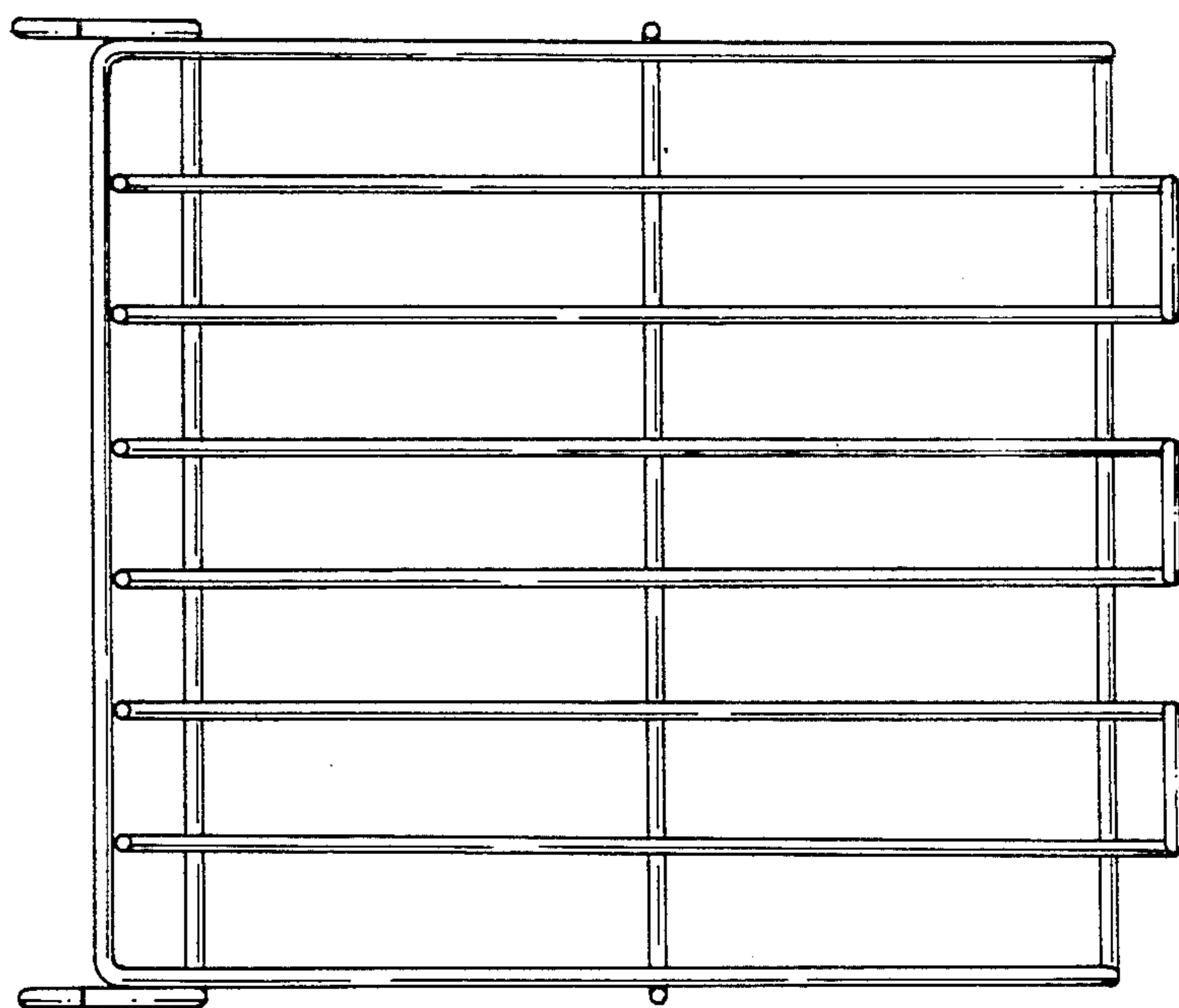


FIG. 3.

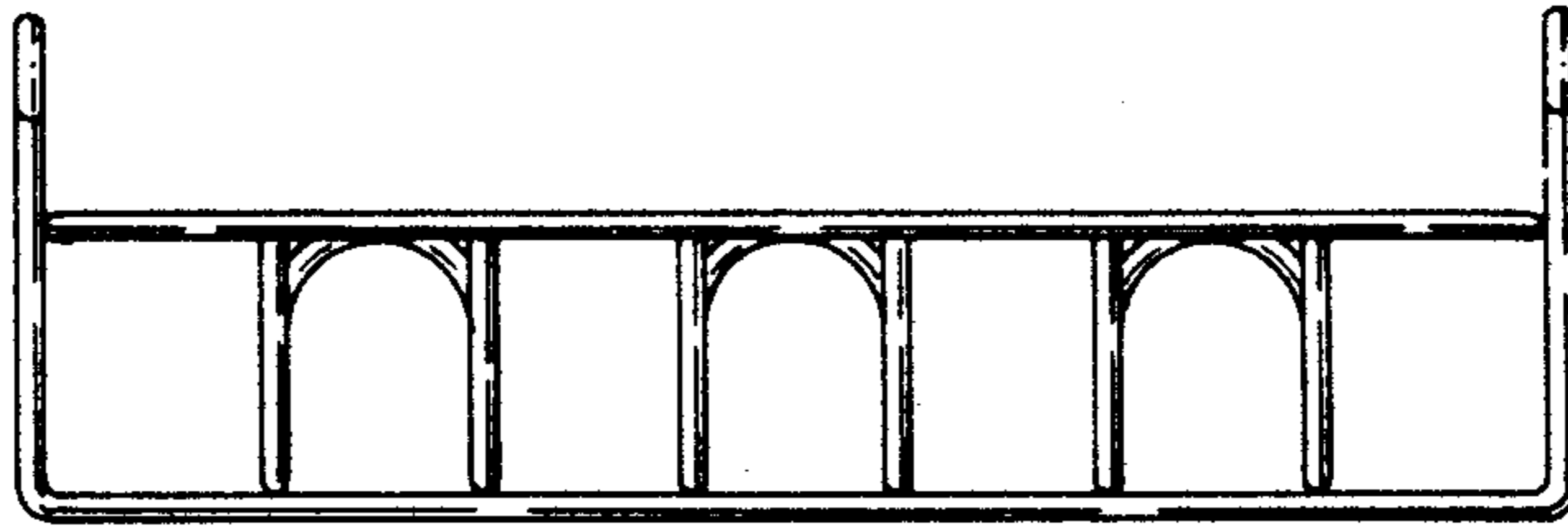


FIG. 4.

