

[54] **PRINTER**

[75] Inventor: **Nobutoshi Mochizuki, Tokyo, Japan**

[73] Assignee: **Citizen Watch Co., Ltd., Tokyo, Japan**

[**] Term: **14 Years**

[21] Appl. No.: **805,550**

[22] Filed: **Nov. 18, 1985**

[30] **Foreign Application Priority Data**

Jul. 22, 1985 [JP] Japan 60-31005

[52] **U.S. Cl.** **D18/13**

[58] **Field of Search** **D18/13, 22, 23; D14/94, D14/107, 111, 114; D16/30-32; 400/118, 694, 689-693**

[56] **References Cited**

U.S. PATENT DOCUMENTS

D. 284,012 5/1986 Mitsuhashi D18/13

FOREIGN PATENT DOCUMENTS

73879 4/1985 Japan 400/687

Primary Examiner—Louis S. Zarfes

Attorney, Agent, or Firm—Cushman, Darby & Cushman

[57] **CLAIM**

The ornamental design for a printer, as shown.

DESCRIPTION

FIG. 1 is a top, front and right side perspective view of a printer showing my new design,

FIG. 2 is a bottom, rear and right side perspective view thereof,

FIG. 3 is a top plan view thereof,

FIG. 4 is a bottom plan view thereof,

FIG. 5 is a front elevational view thereof,

FIG. 6 is a rear elevational view thereof,

FIG. 7 is a left side elevational view thereof, and

FIG. 8 is a right side elevational view thereof.

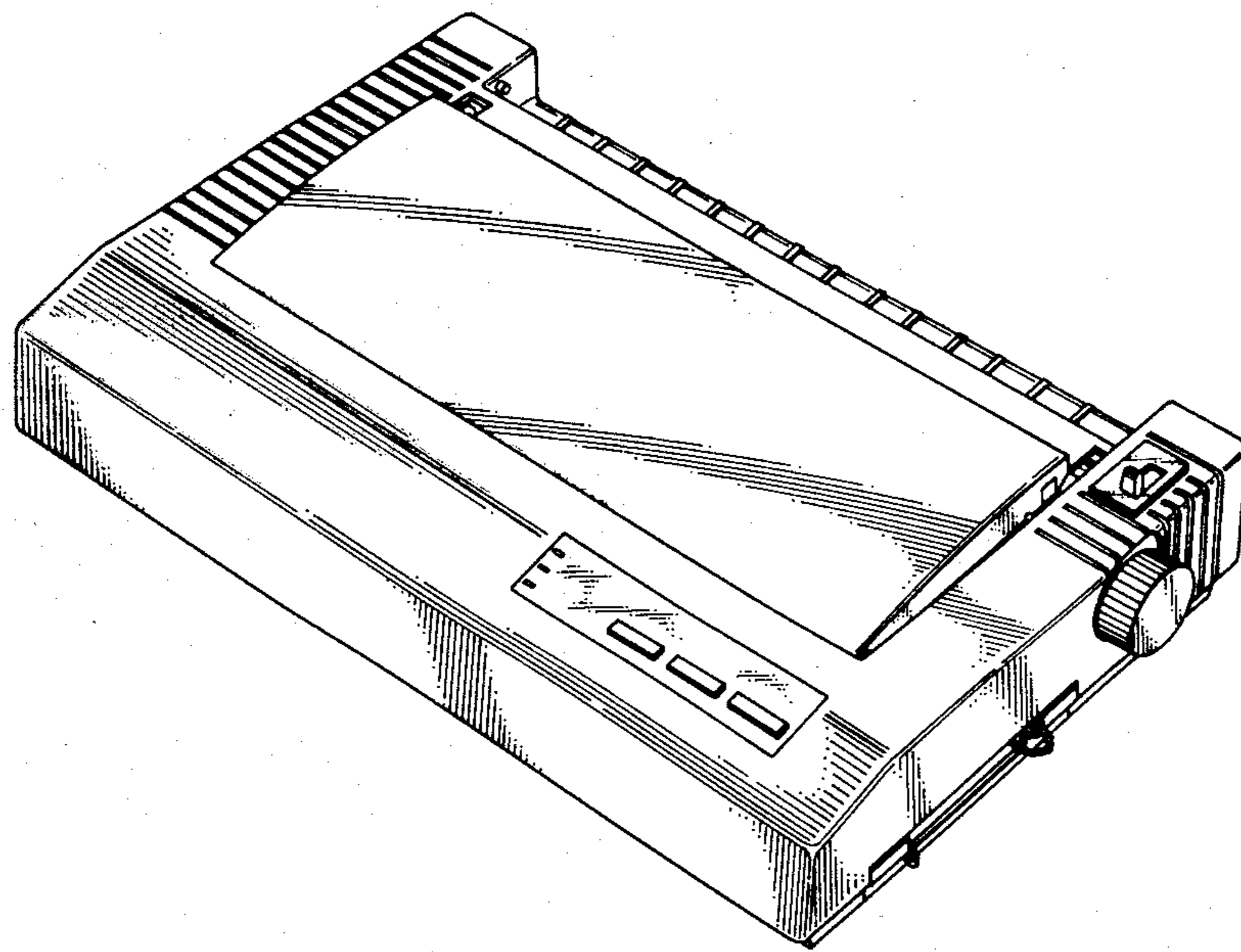


FIG. 1

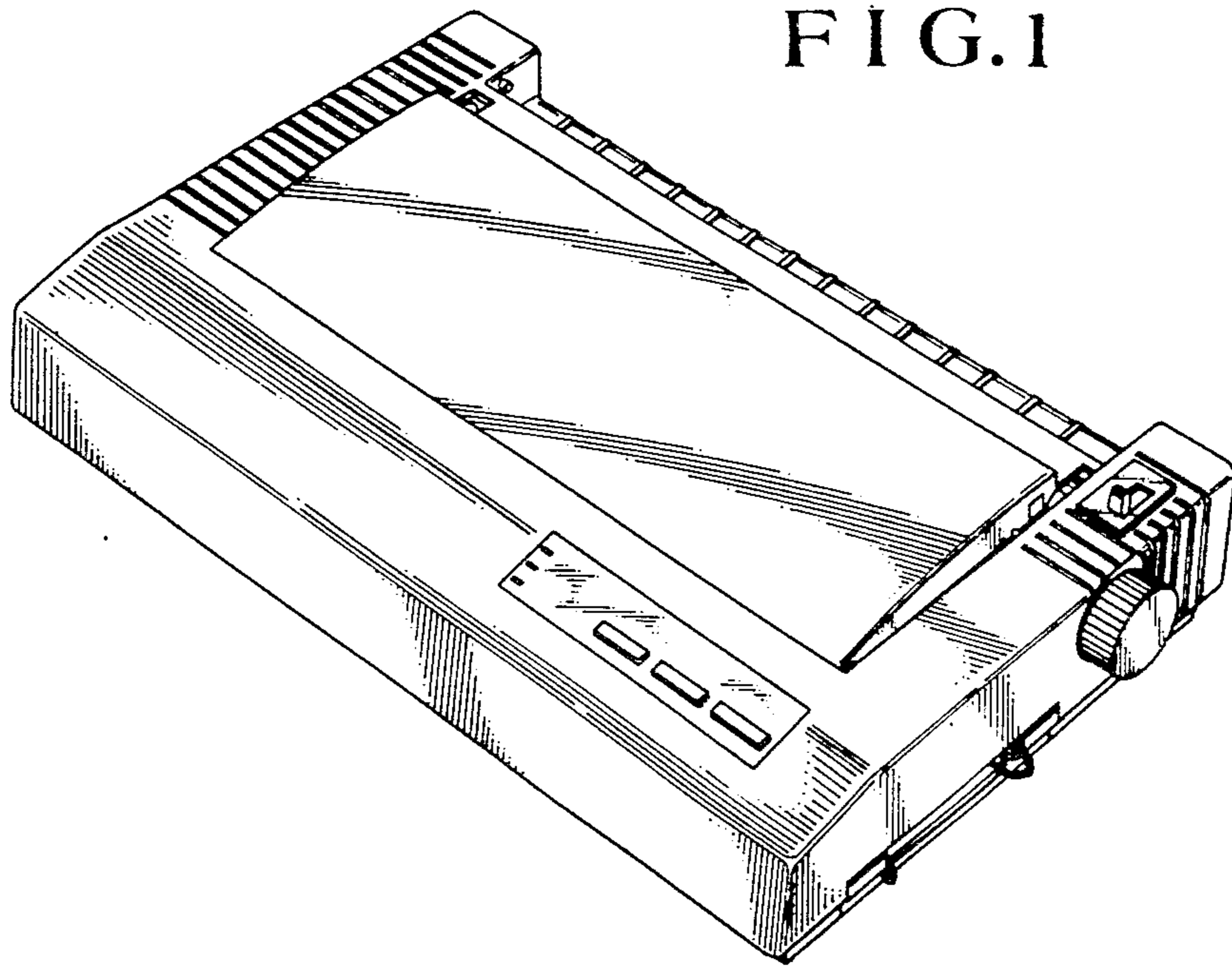


FIG. 2

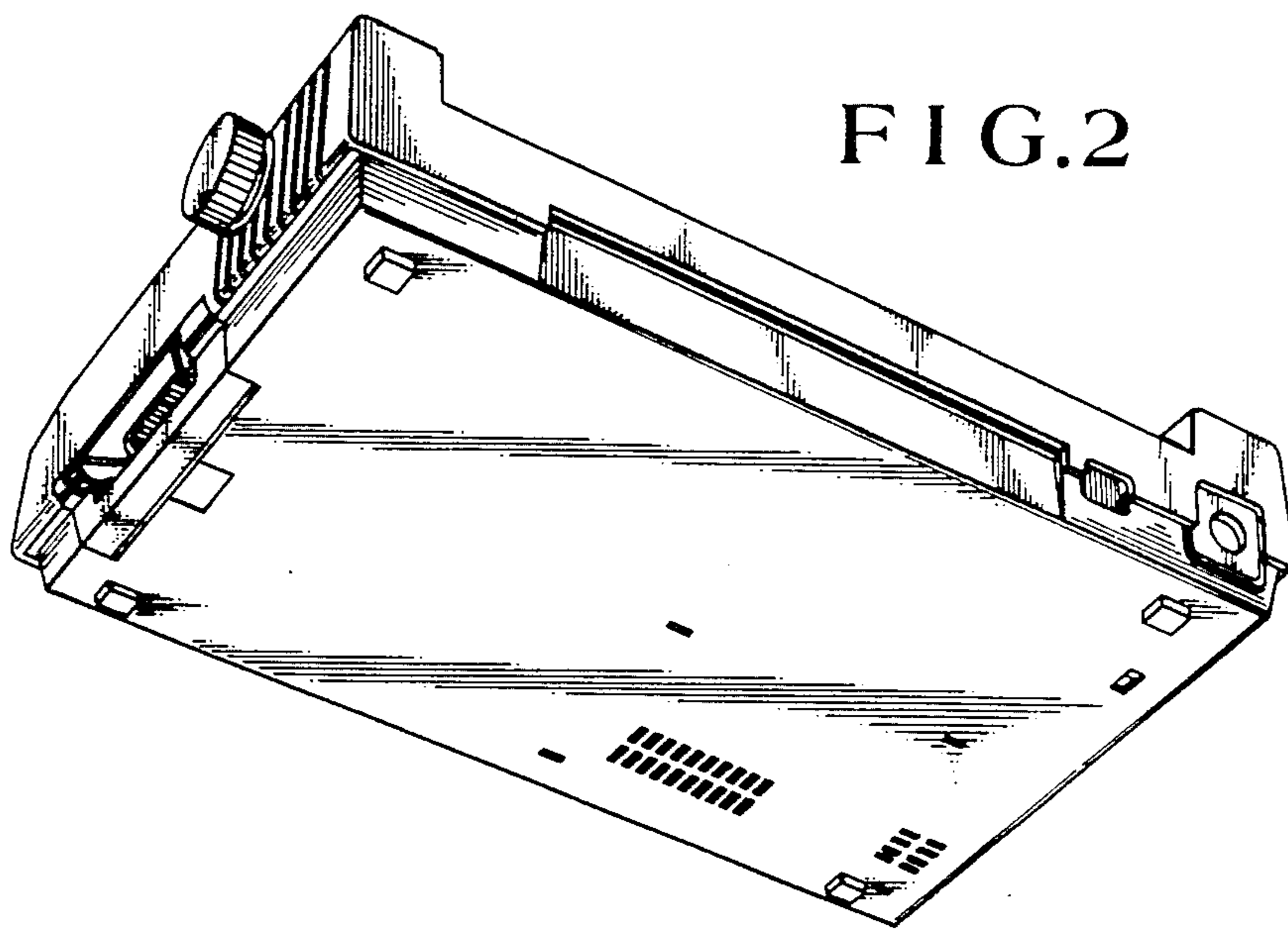


FIG. 3

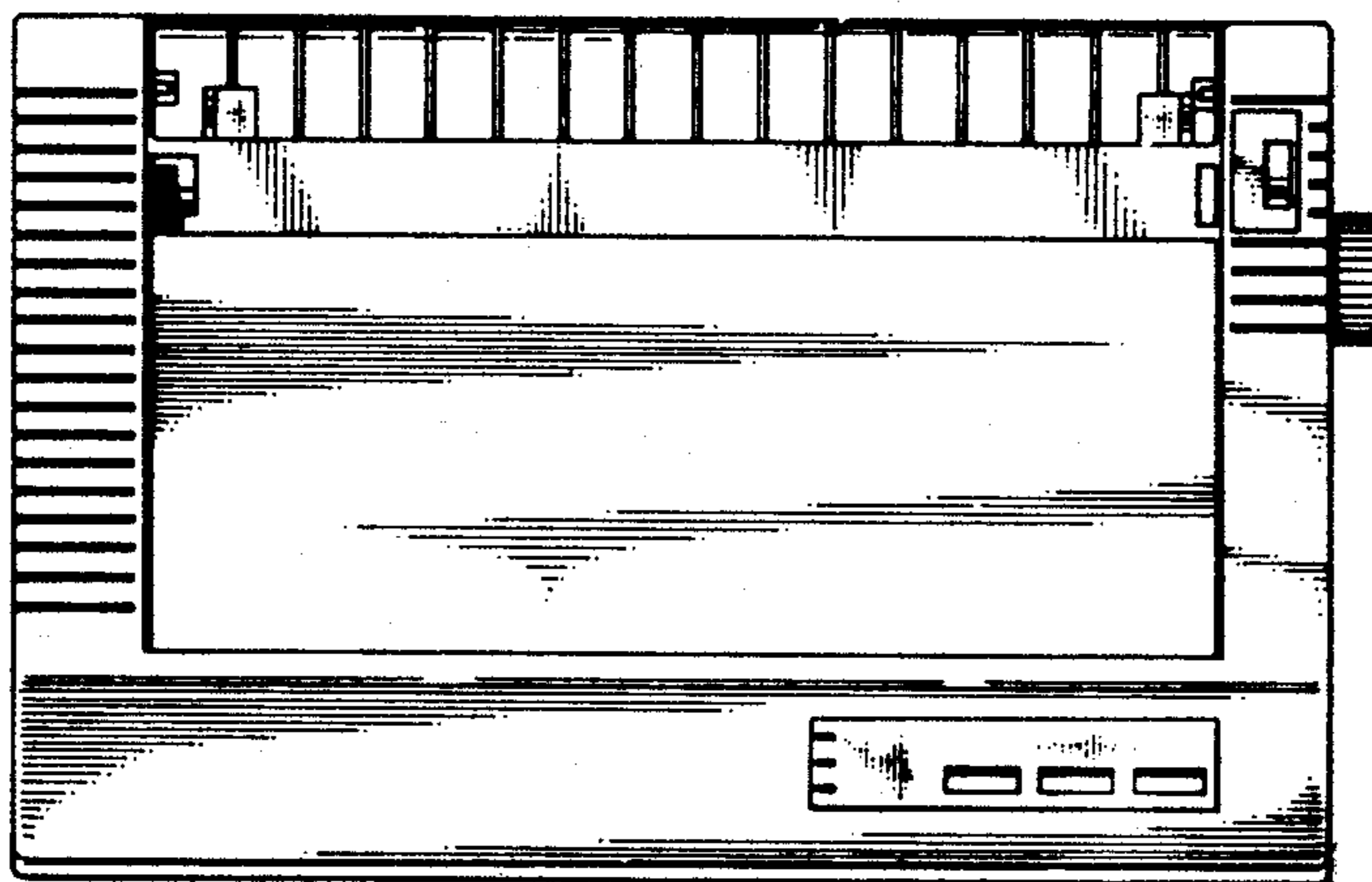


FIG. 4

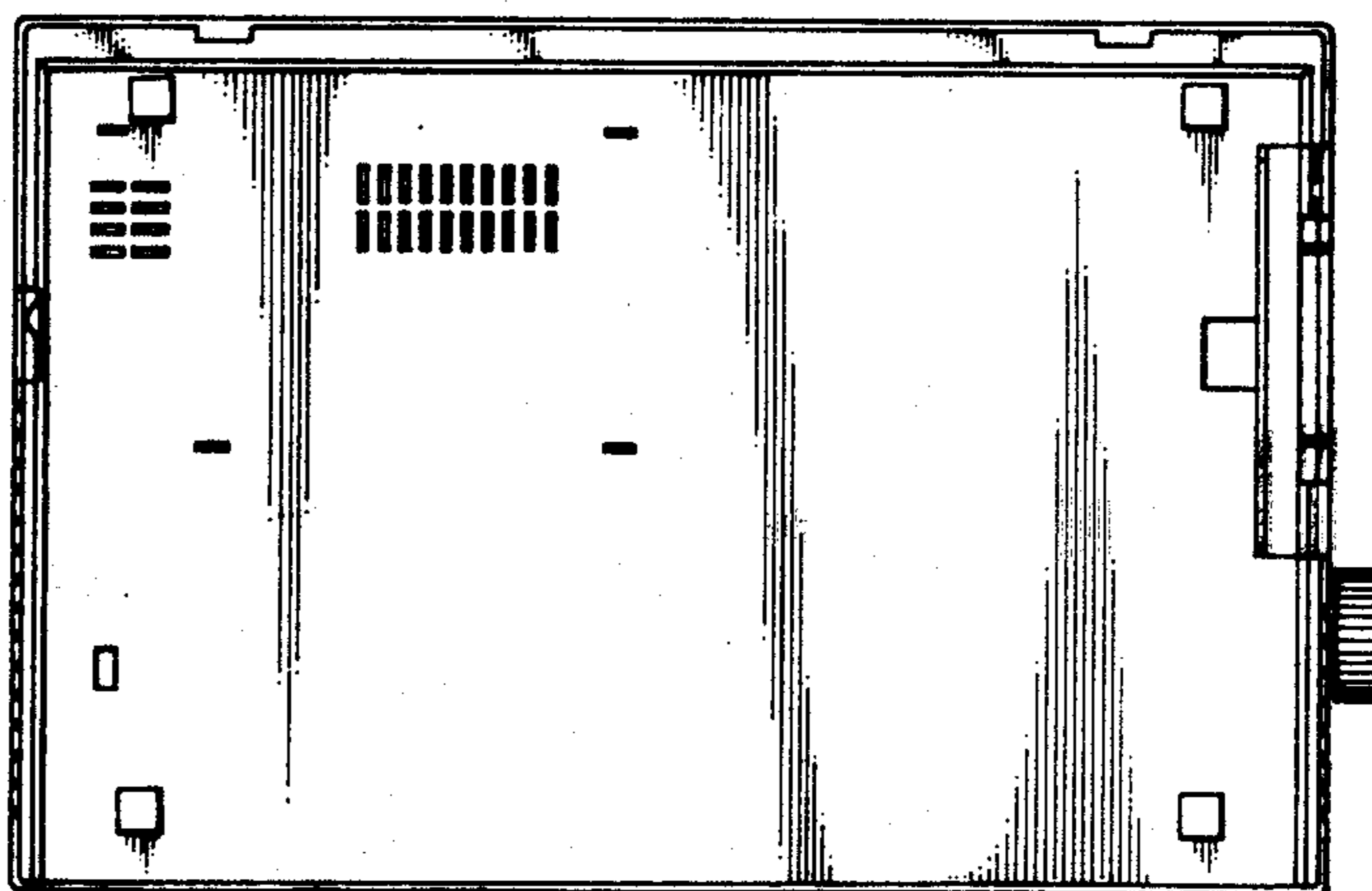


FIG.5

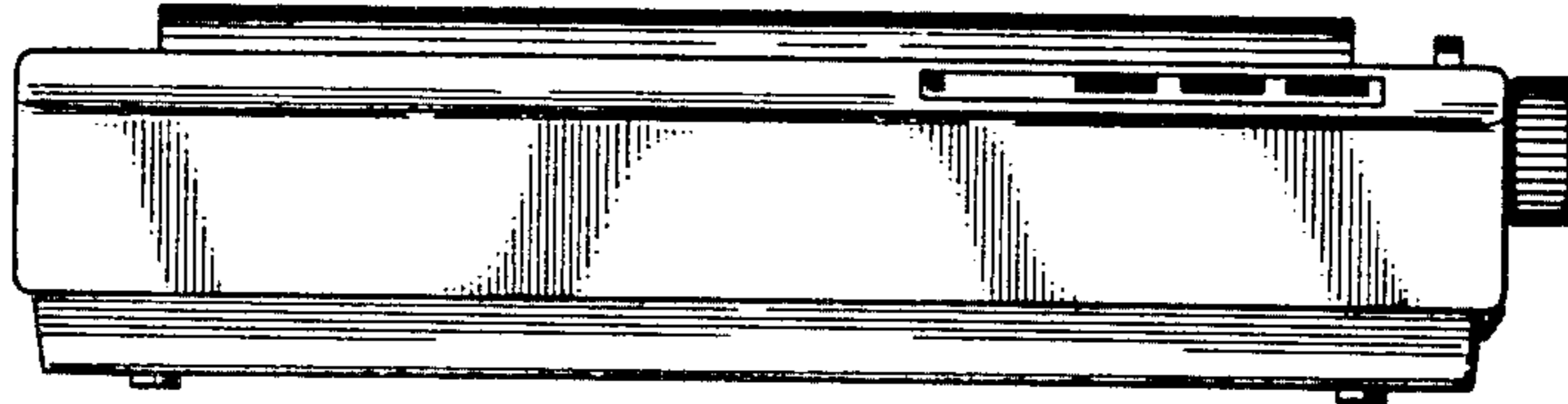


FIG.6

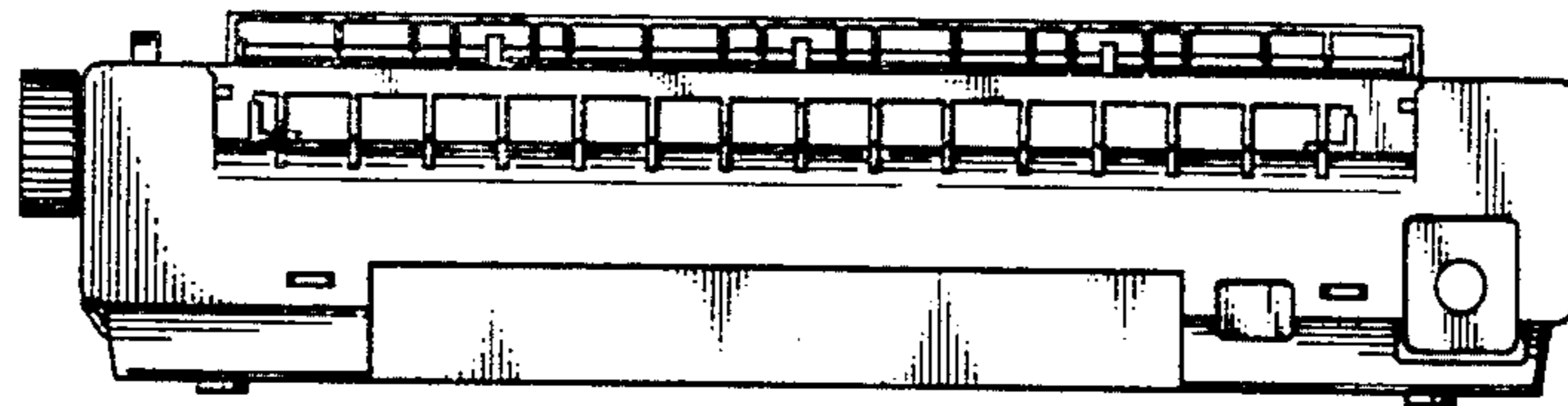


FIG.7

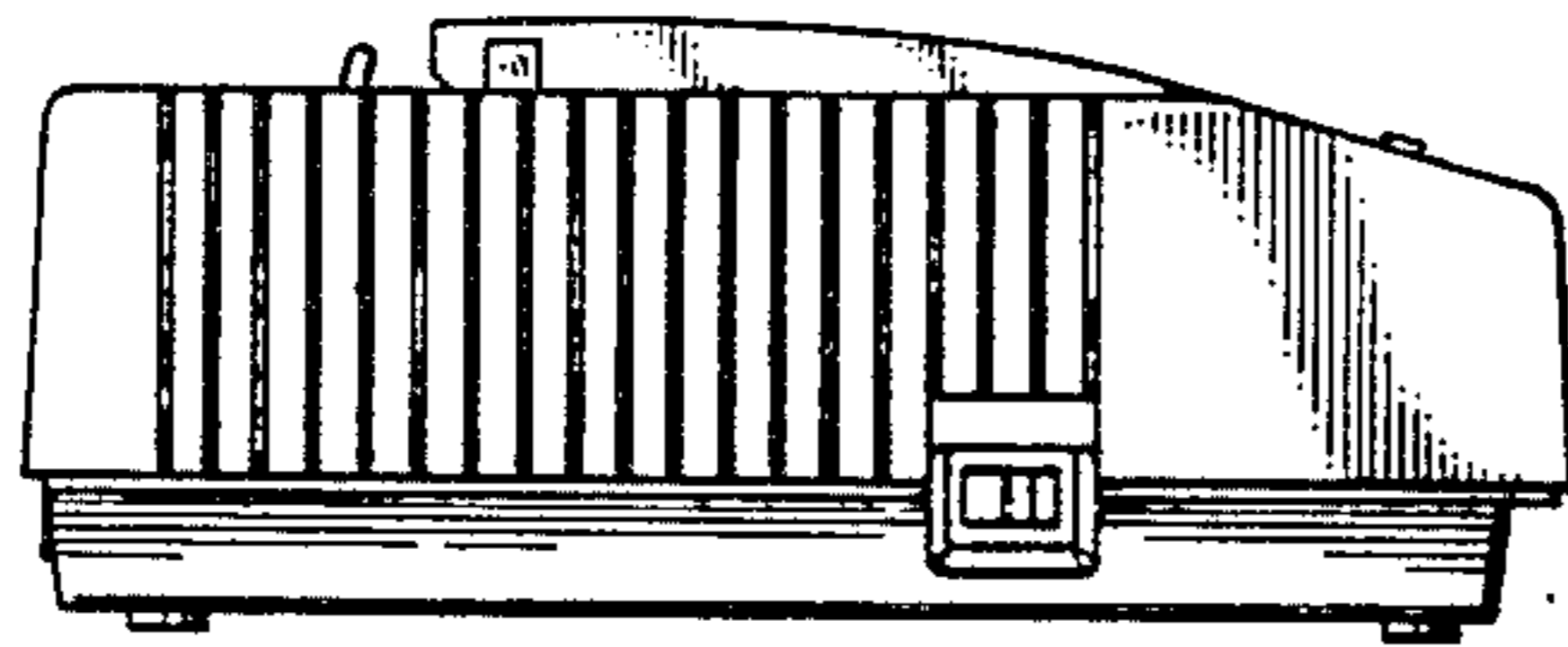


FIG.8

