

[54] PISTON VALVE ASSEMBLY OIL SHIELD

[75] Inventors: Stuart L. Satalof, Las Vegas, Nev.; Steven I. Weiner, 3080 Garnet Ct., Las Vegas, Nev. 89121

[73] Assignee: Steven I. Weiner, Las Vegas, Nev.

[**] Term: 14 Years

[21] Appl. No.: 607,177

[22] Filed: May 4, 1984

[52] U.S. Cl. D17/13; 74/377; D17/99

[58] Field of Search D17/10, 11, 13, 99; 84/397

[56] References Cited

U.S. PATENT DOCUMENTS

2,148,540	2/1939	Dibert	84/397 X
3,555,955	1/1971	Sahaida	84/397
3,635,118	1/1972	Slovacek, Jr.	84/397

FOREIGN PATENT DOCUMENTS

1896 of 1865 United Kingdom 84/397

Primary Examiner—Bernard Ansher
Assistant Examiner—Theodore M. Shooman
Attorney, Agent, or Firm—Charles H. Schwartz;
Ellsworth R. Roston

[57] CLAIM

The ornamental design for a piston valve assembly oil shield, as shown and described.

DESCRIPTION

FIG. 1 is a front elevational view of a piston valve assembly oil shield showing our new design and shown positioned at the bottom of a piston valve assembly of a musical instrument;

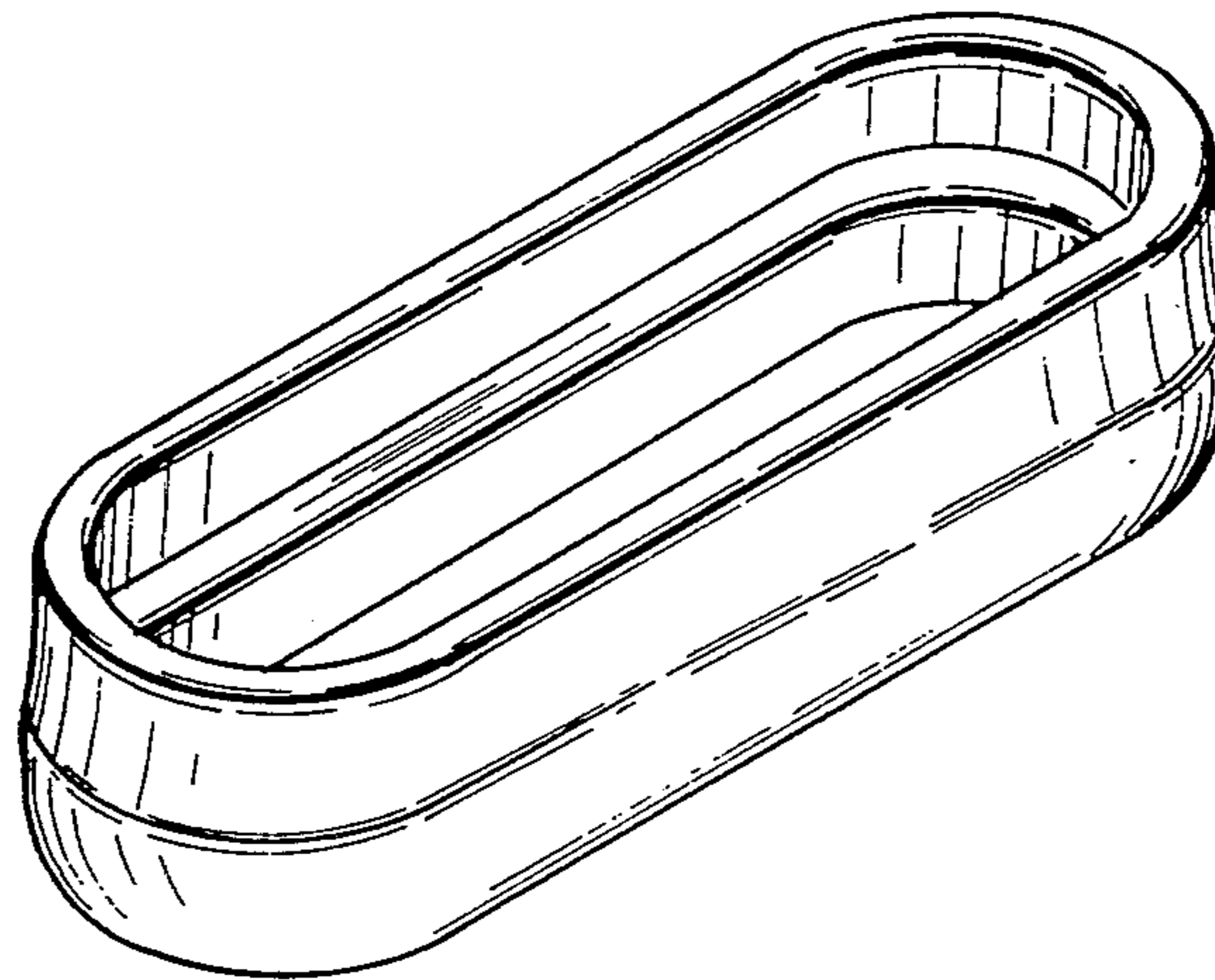
FIG. 2 is a top and front perspective view thereof;

FIG. 3 is a side elevational view thereof, the opposite side being identical;

FIG. 4 is a top plan view thereof; and

FIG. 5 is a bottom plan view thereof;

The broken line showing of the piston valve assembly of a musical instrument in FIG. 1 is for illustrative purposes only and forms no part of the claimed design.



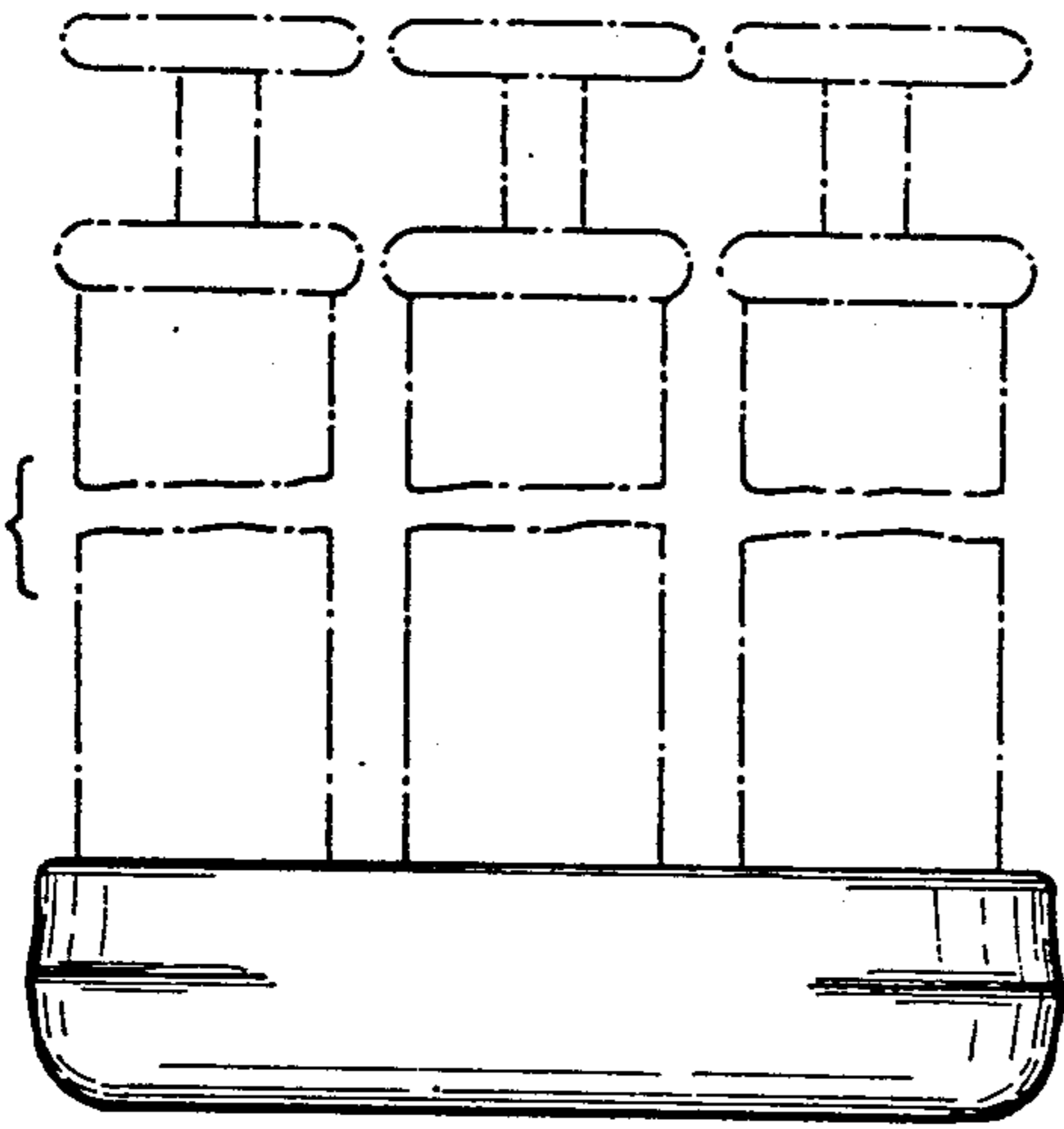


FIG. 1

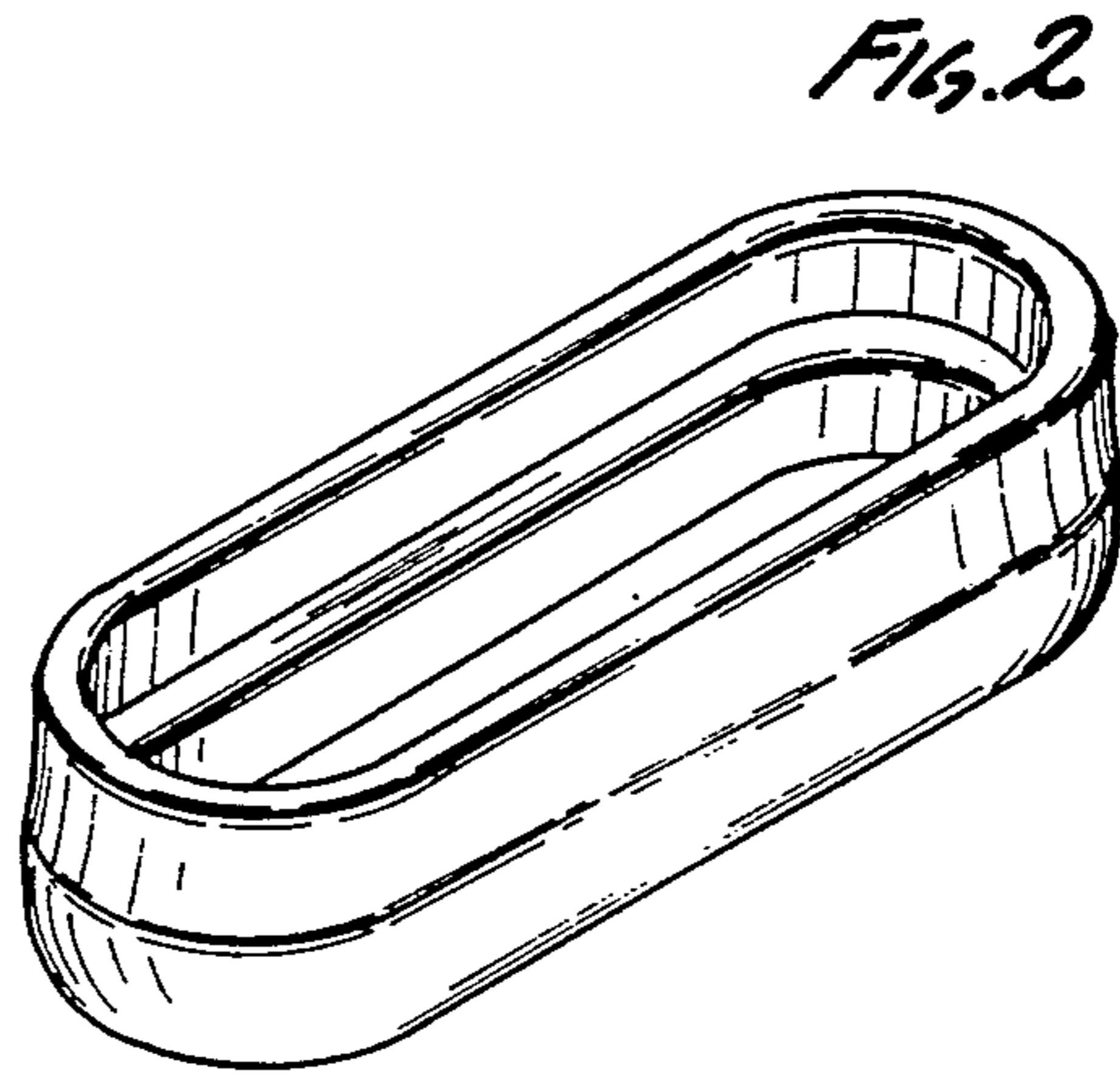


FIG. 2

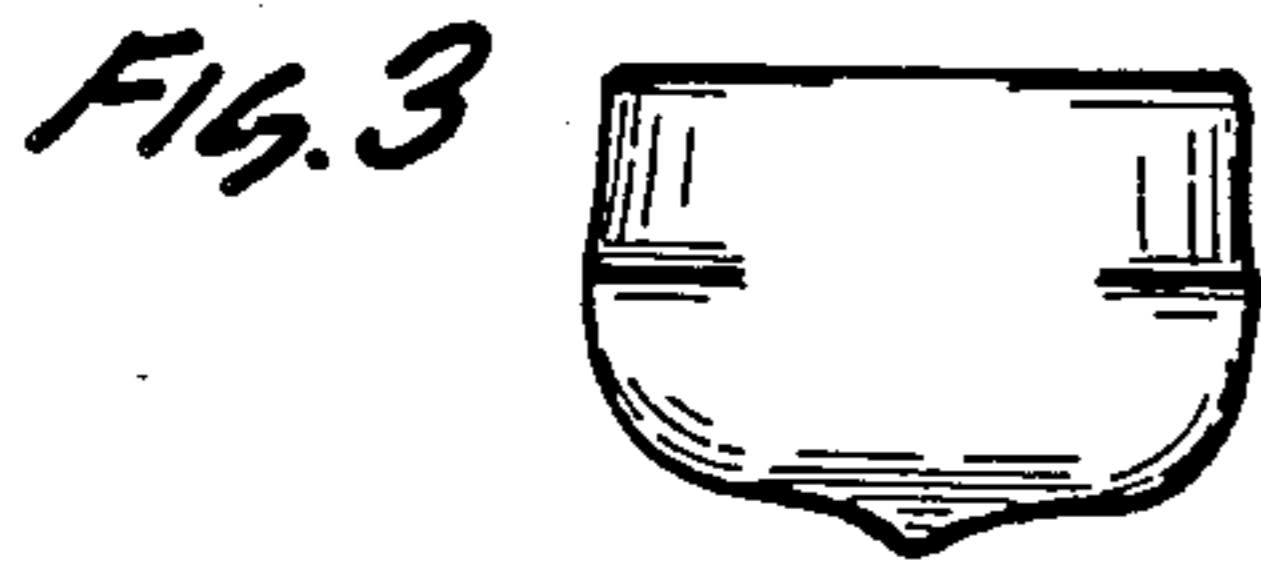


FIG. 3

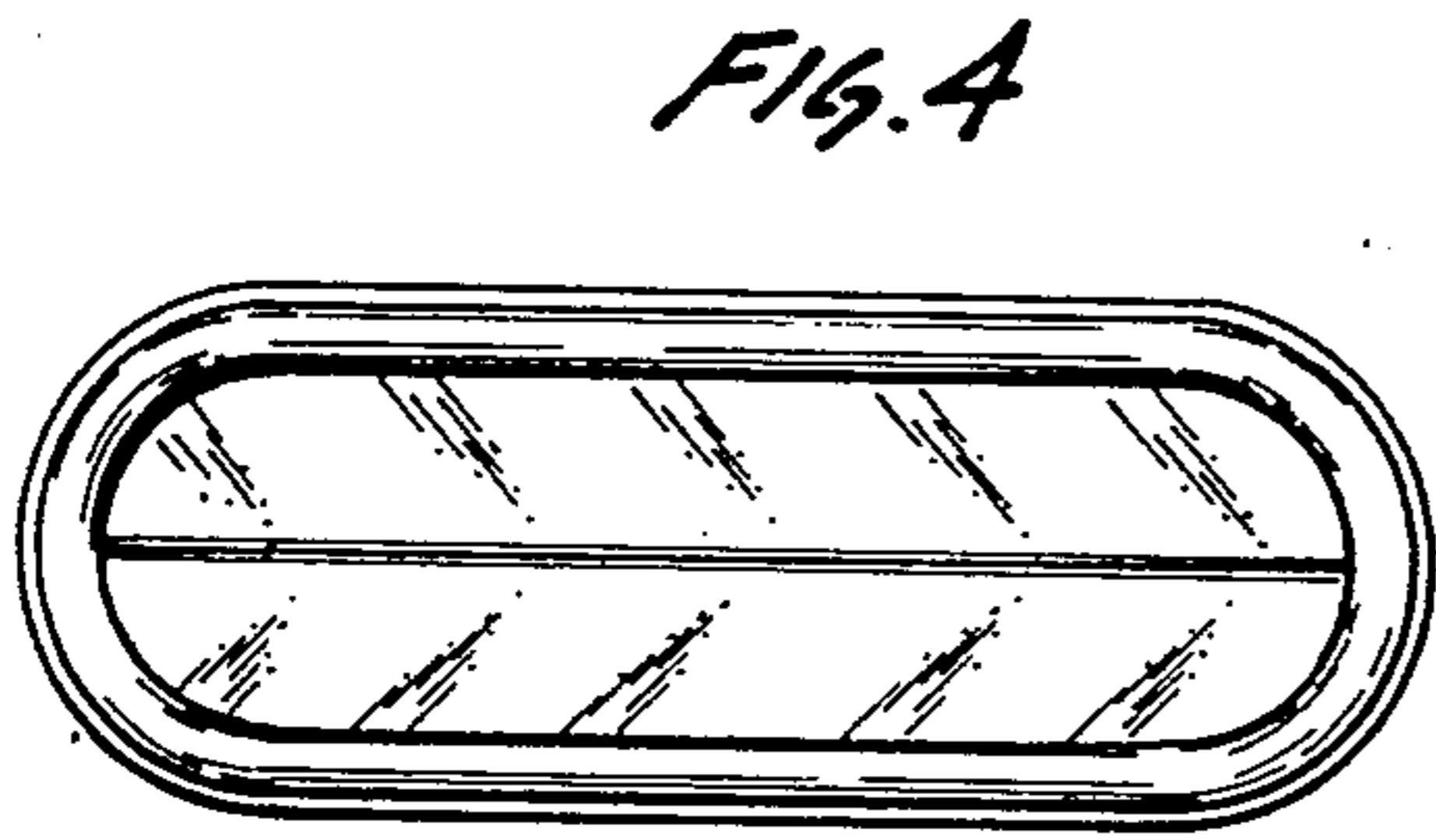


FIG. 4

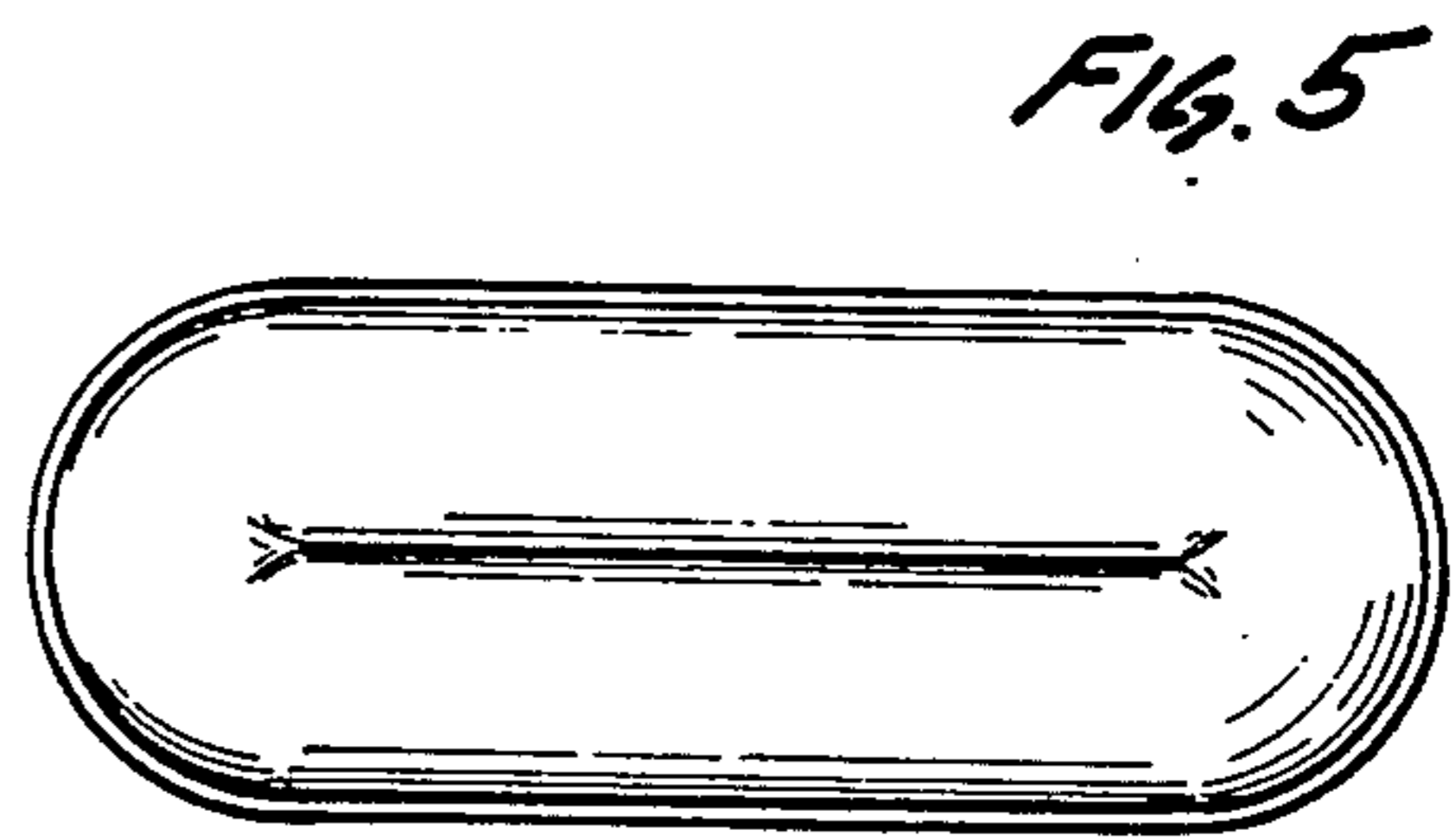


FIG. 5