

[54] **TRIPOD**

4,579,436 4/1986 Jaumann 354/293

[76] **Inventor: Dieter Groschupp, Weiherweg 2,
D-8506 Langenzenn, Fed. Rep. of
Germany**

Primary Examiner—Nelson C. Holtje
Attorney, Agent, or Firm—Scully, Scott, Murphy &
Presser

[**] **Term: 14 Years**

[57] **CLAIM**

[21] **Appl. No.: 720,091**

The ornamental design for a tripod, as shown and de-
scribed.

[22] **Filed: Apr. 5, 1985**

DESCRIPTION

[30] **Foreign Application Priority Data**

Oct. 8, 1984 [DE] Fed. Rep. of Germany MR 8102

[52] **U.S. Cl. D16/45**

[58] **Field of Search D16/44, 45, 46, 47;
248/188.5, 168-169, 170-171, 177-179, 278,
284**

FIG. 1 is a typical perspective view of a tripod in the
telescoped position showing my new design;

FIG. 2 is a typical perspective view thereof on a smaller
scale with the legs fully extended;

FIG. 3 is a typical side elevational view of the upper
portion of the design of FIG. 1 on an enlarged scale
with the legs folded;

FIG. 4 is a side elevational view of FIG. 3 rotated 45°
with the legs partially extended;

FIG. 5 is a side elevational view of FIG. 3 rotated 45°;

FIG. 6 is a side elevational view of FIG. 4 rotated 45°;

FIG. 7 is a top plan view of FIG. 3 on an enlarged scale;

FIG. 8 is a bottom plan view of FIG. 7.

Portions of the top and bottom of FIGS. 3-6 have been
omitted for ease of illustration.

[56] **References Cited**

U.S. PATENT DOCUMENTS

D. 221,693	8/1971	Bradspies	D16/45
D. 276,622	12/1984	Mooney	D16/45
663,535	12/1900	Essner	248/177
2,463,655	3/1949	Temple	D16/45 X
3,963,207	6/1976	Guasti	248/168
4,208,946	6/1980	Van Sickle	248/179 X

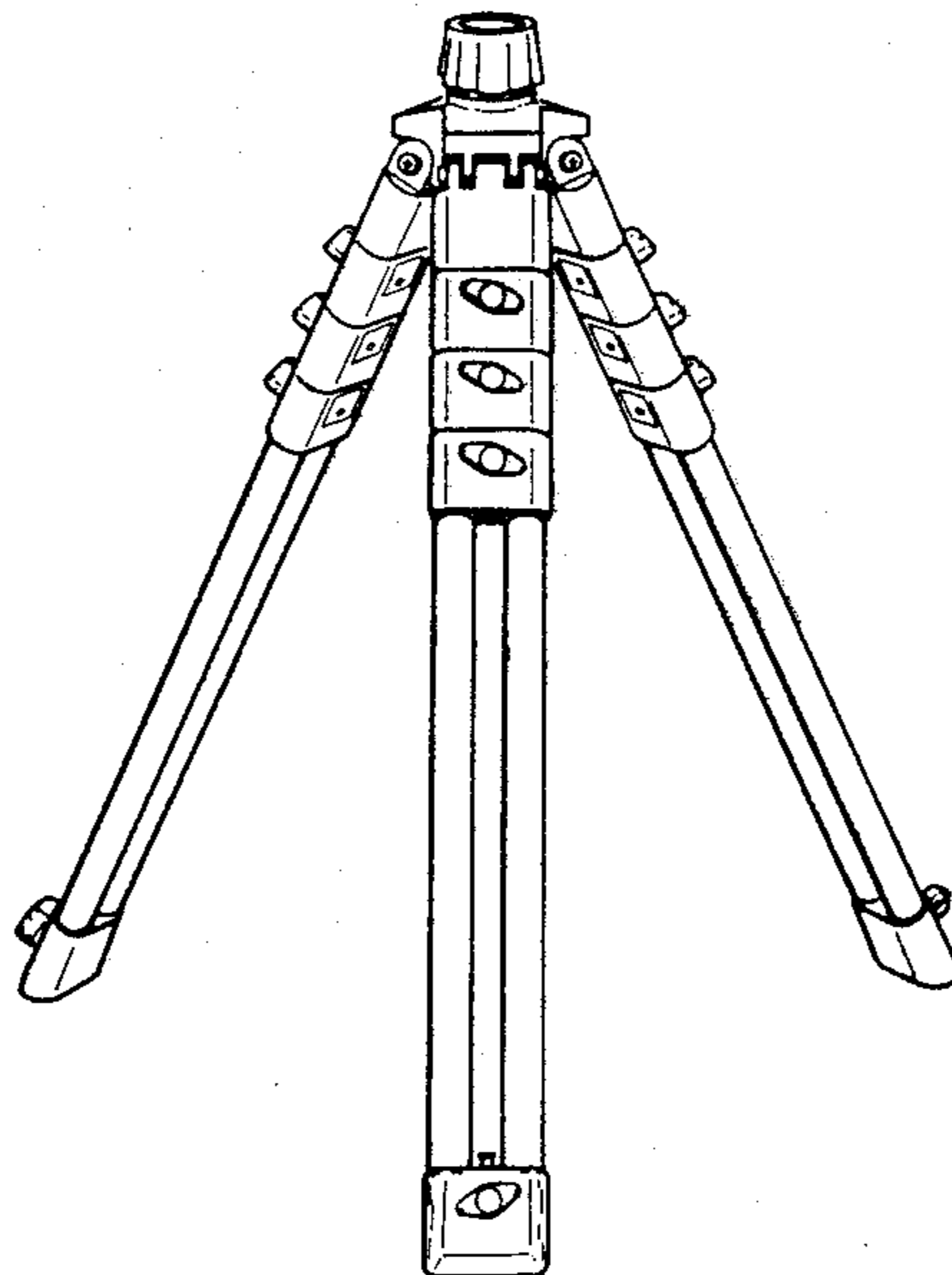


Fig. 1

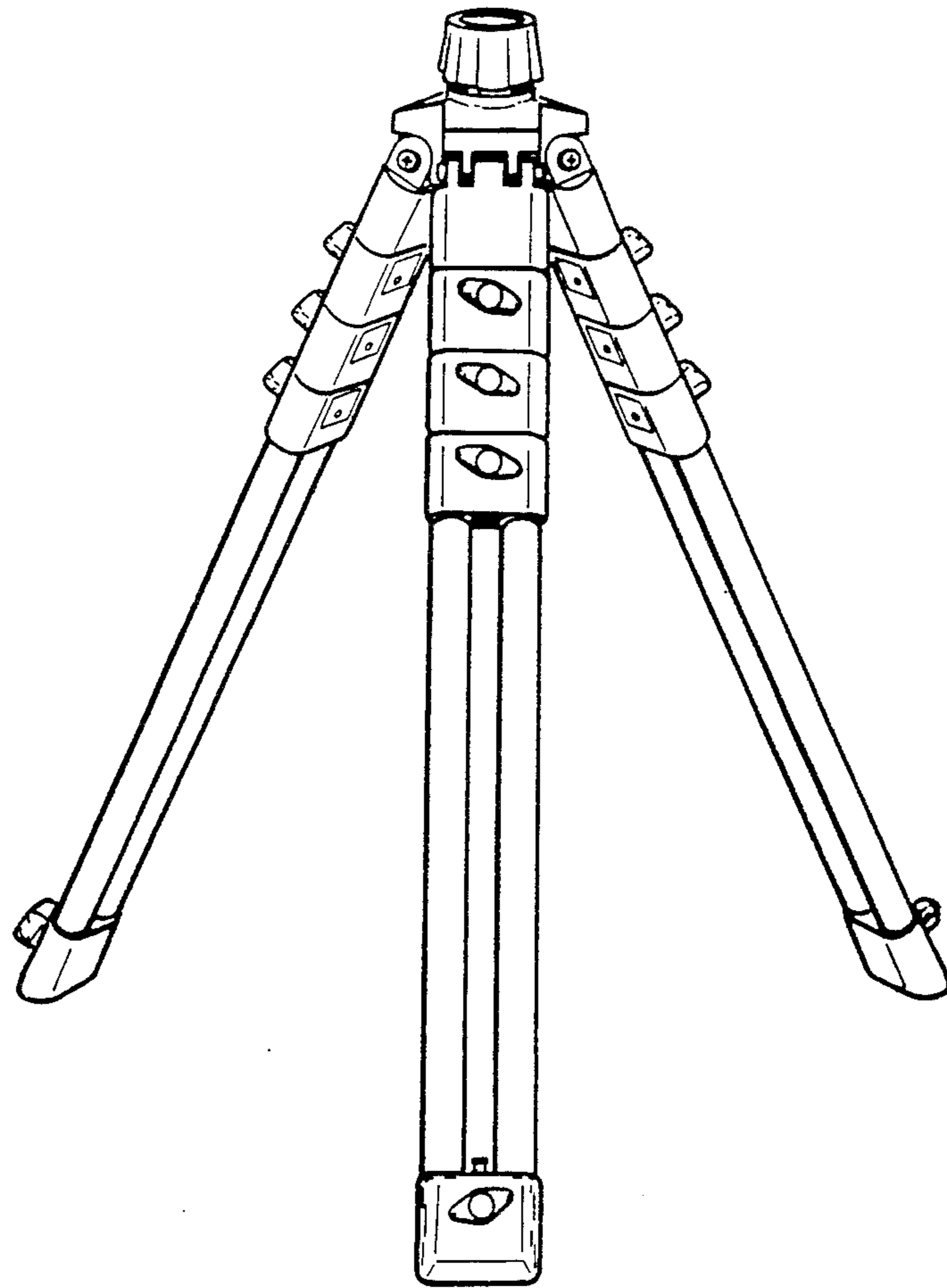


Fig.2

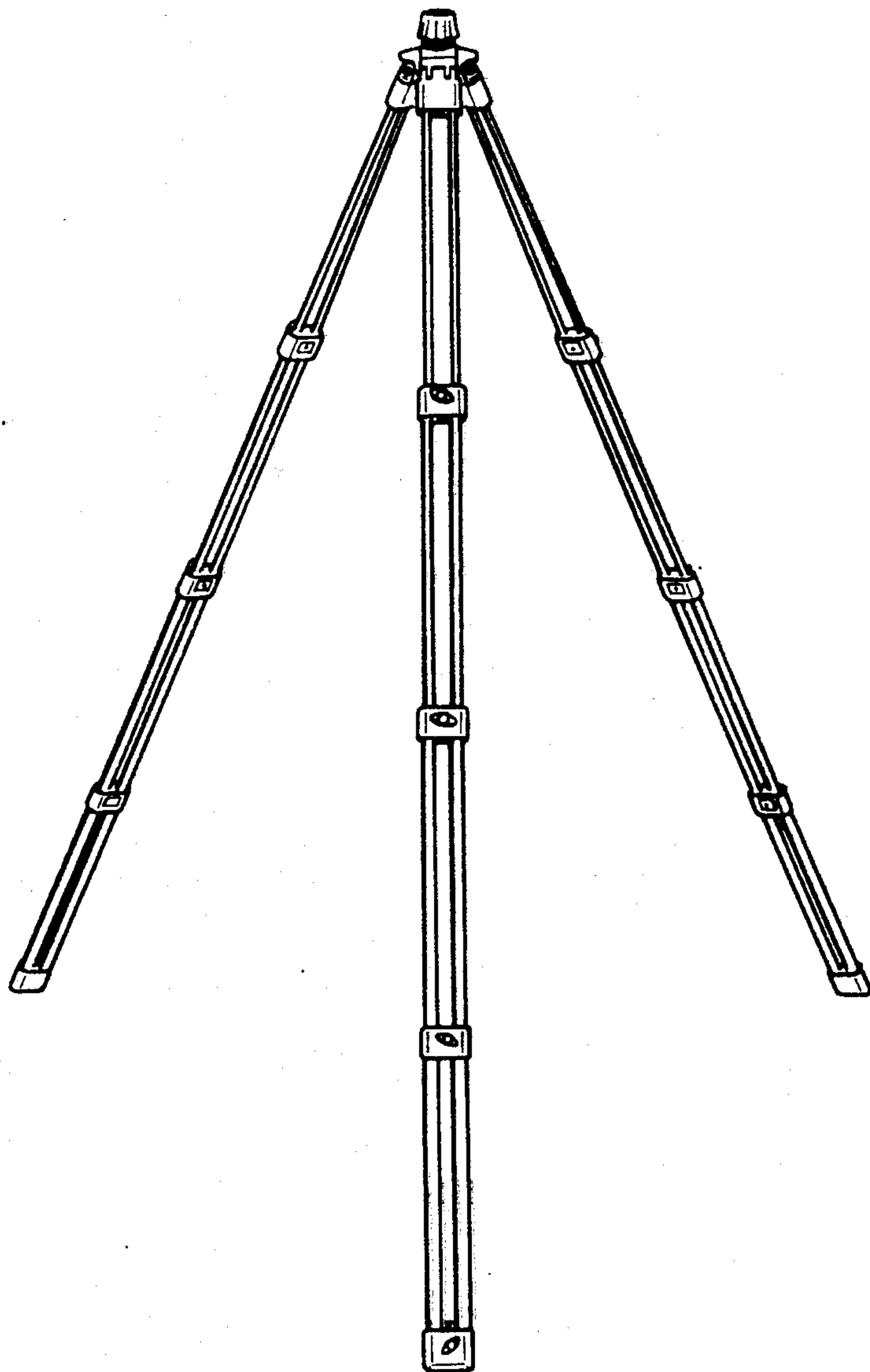


Fig.3

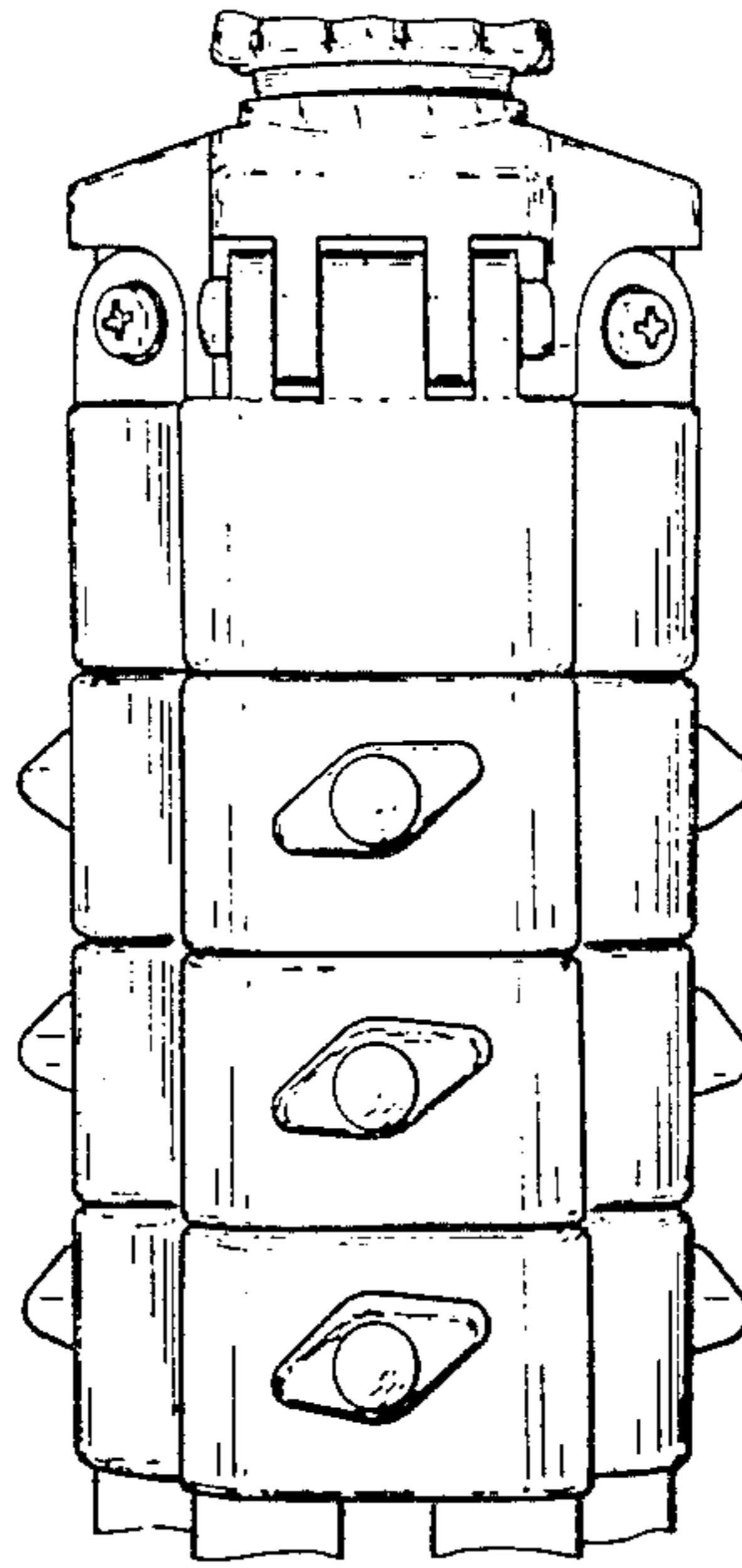


Fig.4

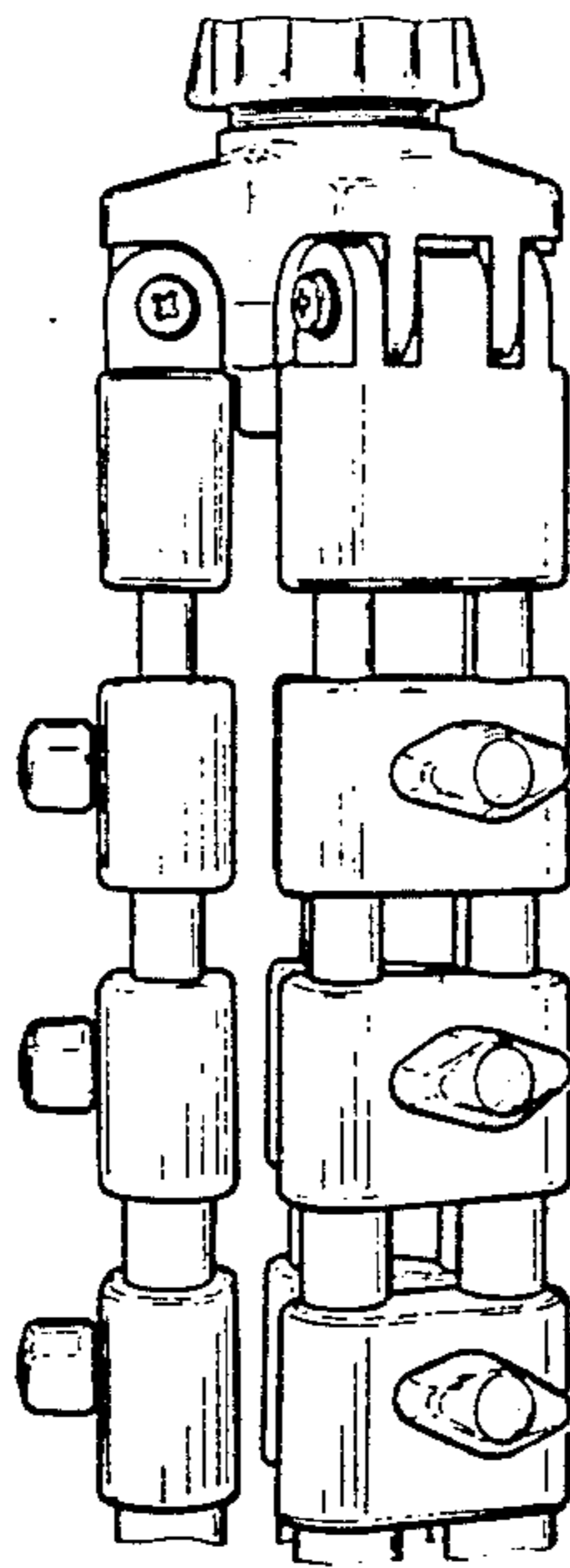


Fig. 5

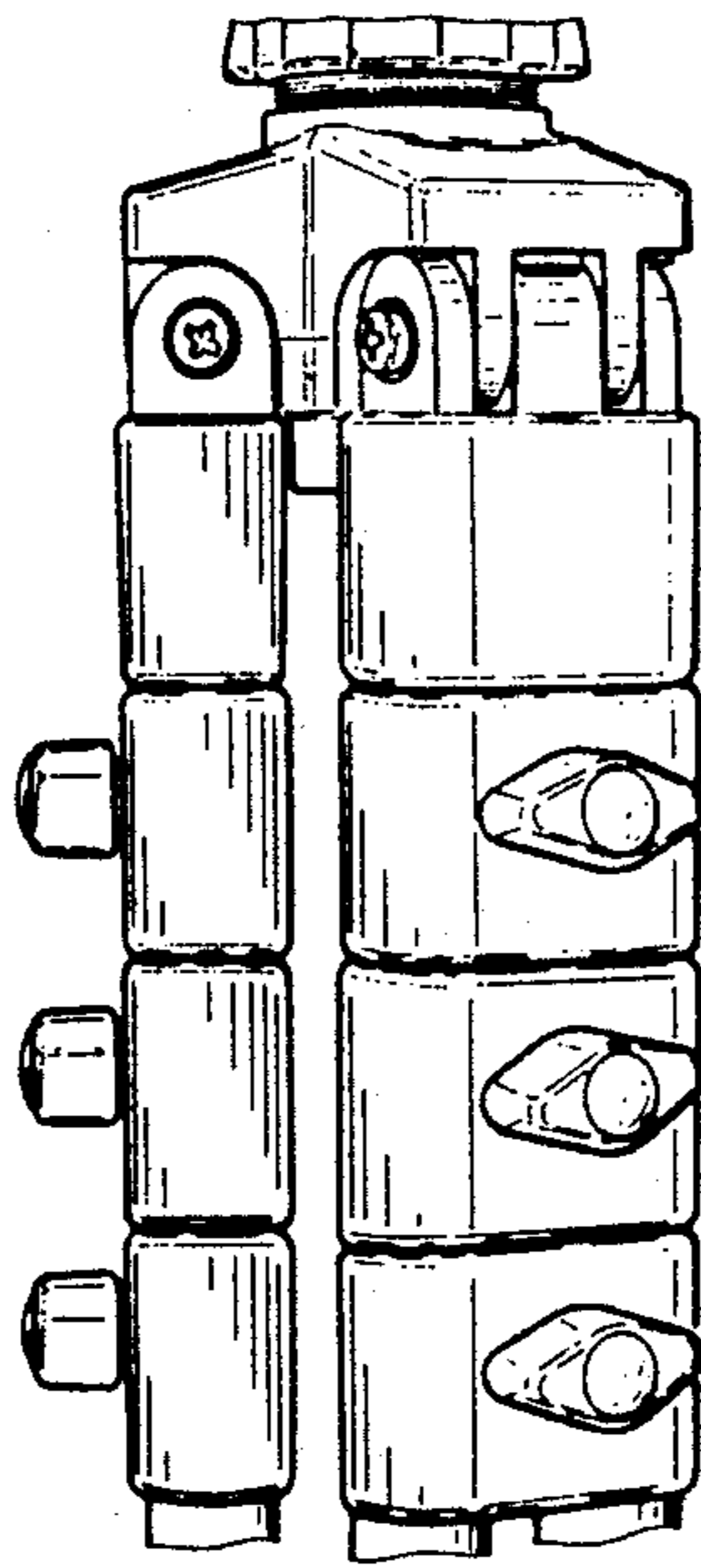


Fig. 6

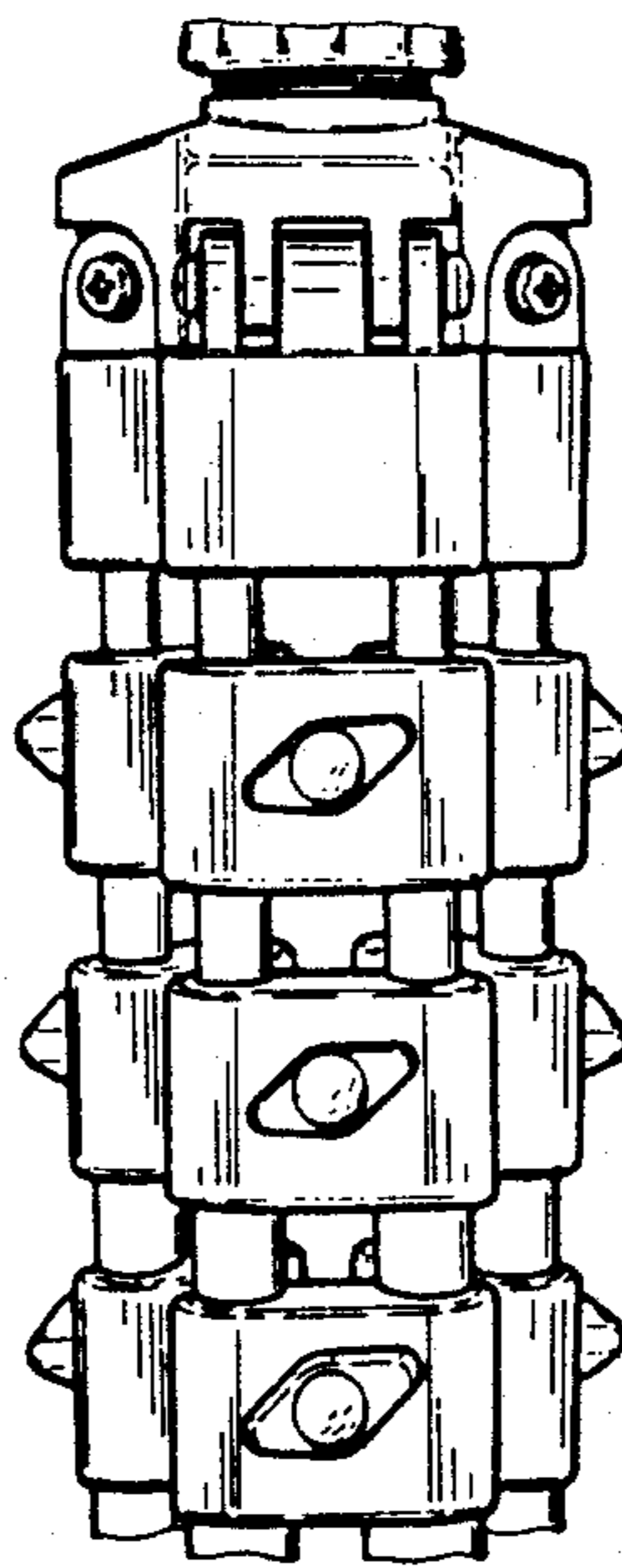


Fig.7

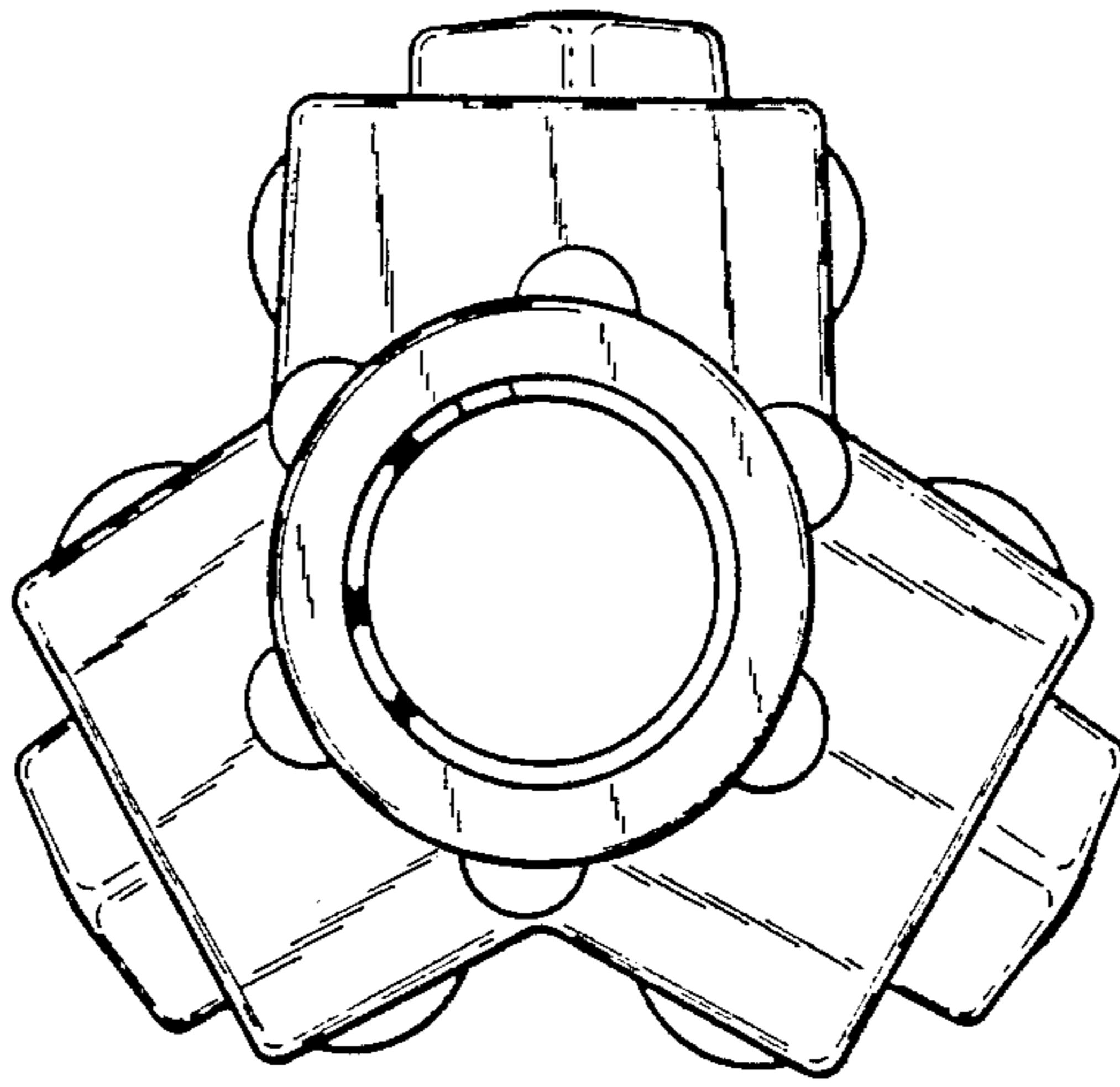


Fig.8

