

[54] **HAND-HELD SCANNING RECEIVER**

- [75] **Inventor: Kazuyoshi Imazeki, Tokyo, Japan**  
[73] **Assignee: General Research of Electronics, Inc., Tokyo, Japan**  
[\*\*] **Term: 14 Years**  
[21] **Appl. No.: 664,060**  
[22] **Filed: Oct. 23, 1984**  
[52] **U.S. Cl. .... D14/68; D14/94; D14/95**  
[58] **Field of Search ..... D14/1, 6, 8, 75, 76, D14/99, 69, 71, 72, 73, 95, 94; 455/73, 89, 90**

[56] **References Cited**

**U.S. PATENT DOCUMENTS**

D. 226,093	1/1973	Whiting et al. ....	D14/68
D. 268,182	3/1983	Asano et al. ....	D14/68
D. 271,764	12/1983	Toth et al. ....	D14/68
D. 276,159	10/1984	Huntington ....	D14/72
D. 282,661	2/1986	Imazeki ....	D14/95 X
3,345,568	10/1967	Errichiello et al. ....	455/89

**OTHER PUBLICATIONS**

C. Q., Jan. 1983, p. 2, Santec-ST-144.  
Radio Shack 1984 Catalog, p. 76, top of page, Portable Programmable Scanner.

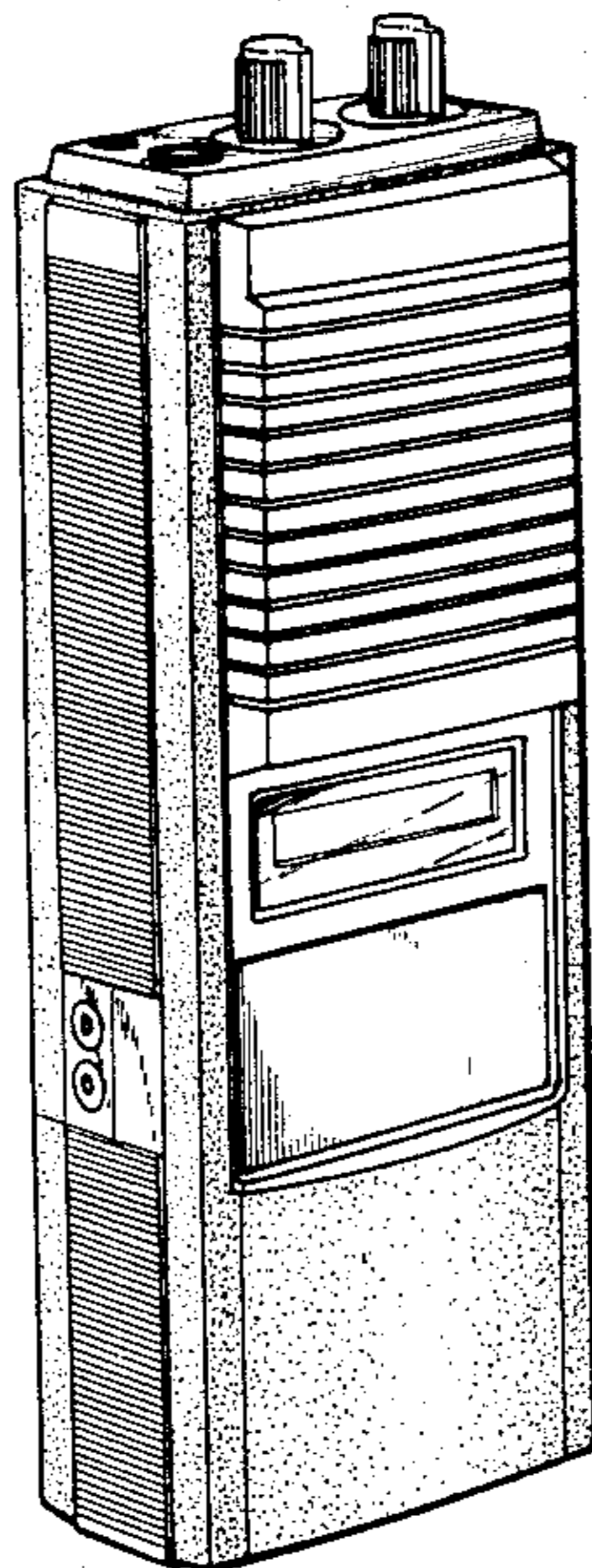
*Primary Examiner*—Bernard Ansher  
*Assistant Examiner*—Theodore M. Shooman  
*Attorney, Agent, or Firm*—Trexler, Bushnell, Giangiorgi & Blackstone, Ltd.

[57] **CLAIM**

The ornamental design for a hand-held scanning receiver, as shown and described.

**DESCRIPTION**

FIG. 1 is a reduced top, front, and left side perspective view of a hand-held scanning receiver showing my new design;  
FIG. 2 is a front elevational view thereof;  
FIG. 3 is a rear elevational view thereof;  
FIG. 4 is a top plan view thereof;  
FIG. 5 is a bottom plan view thereof;  
FIG. 6 is a left side elevational view thereof; and  
FIG. 7 is a right side elevational view thereof.



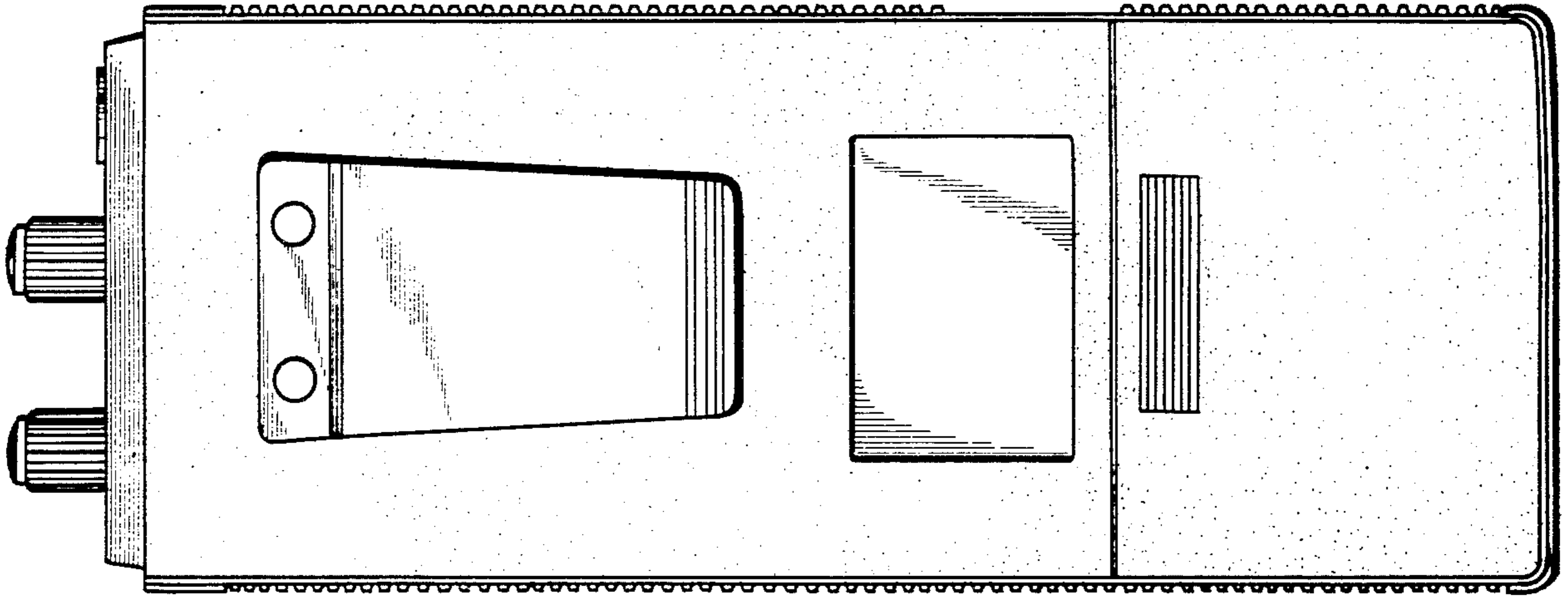


FIG. 3

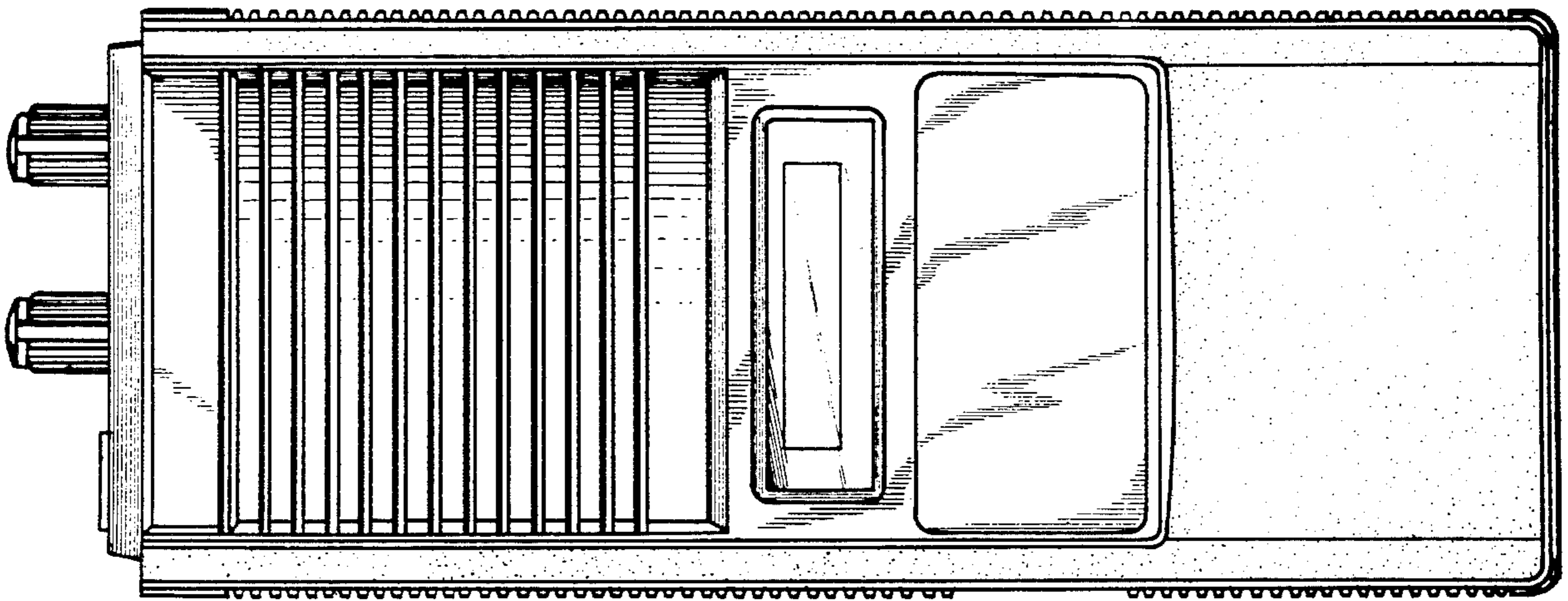


FIG. 2

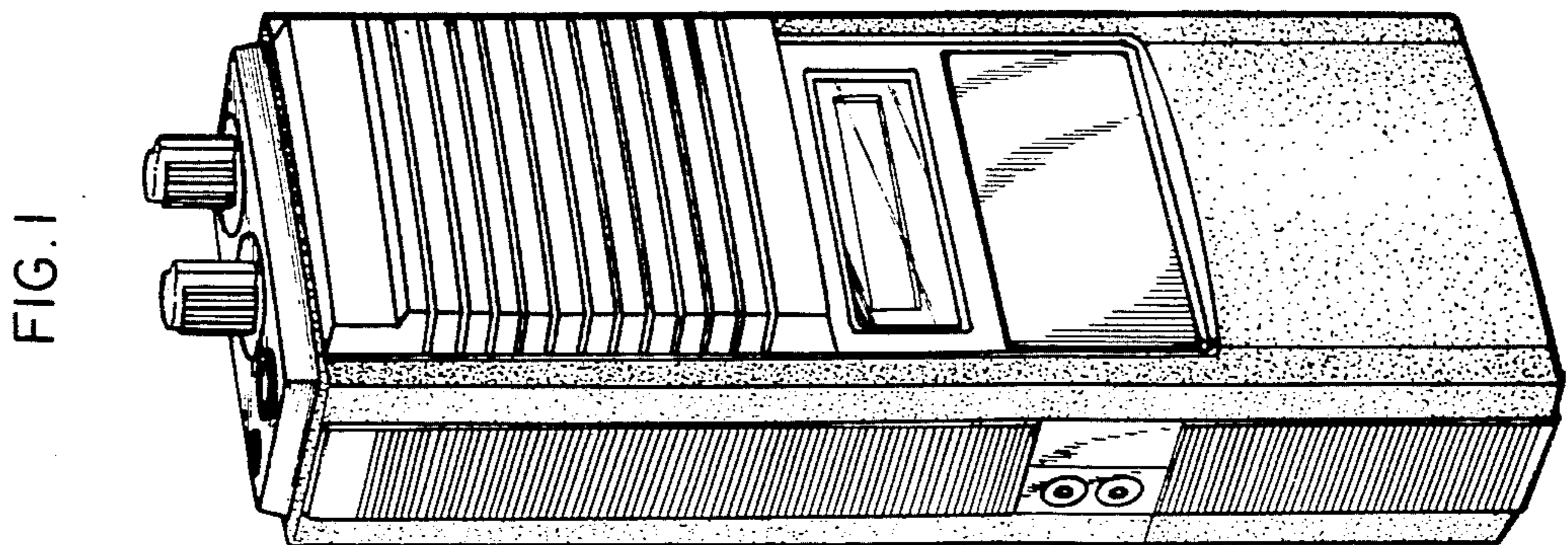


FIG. 1

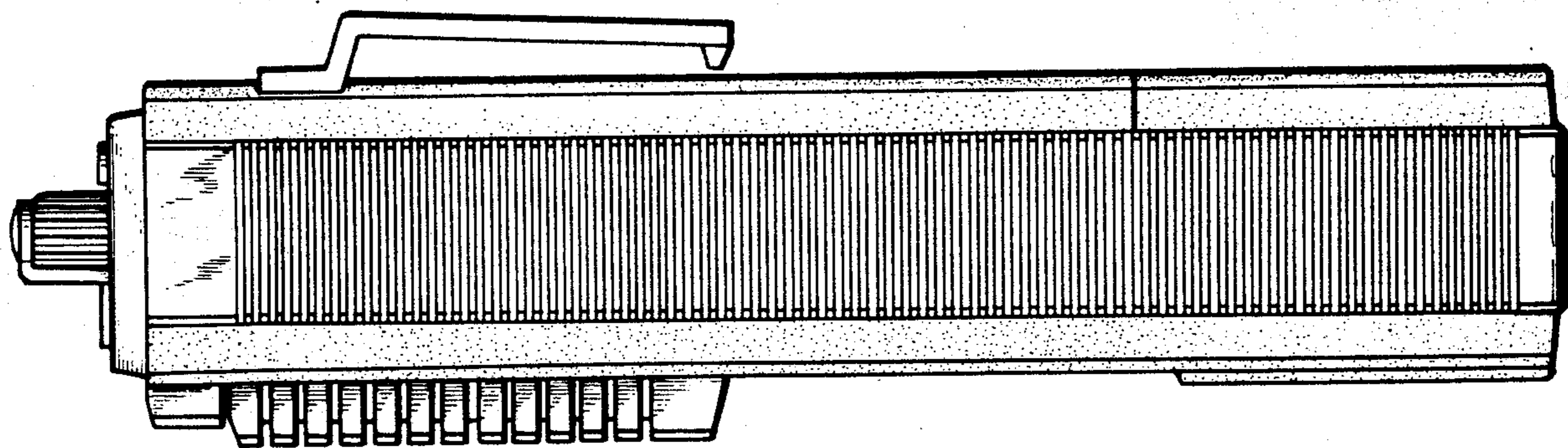


FIG. 7

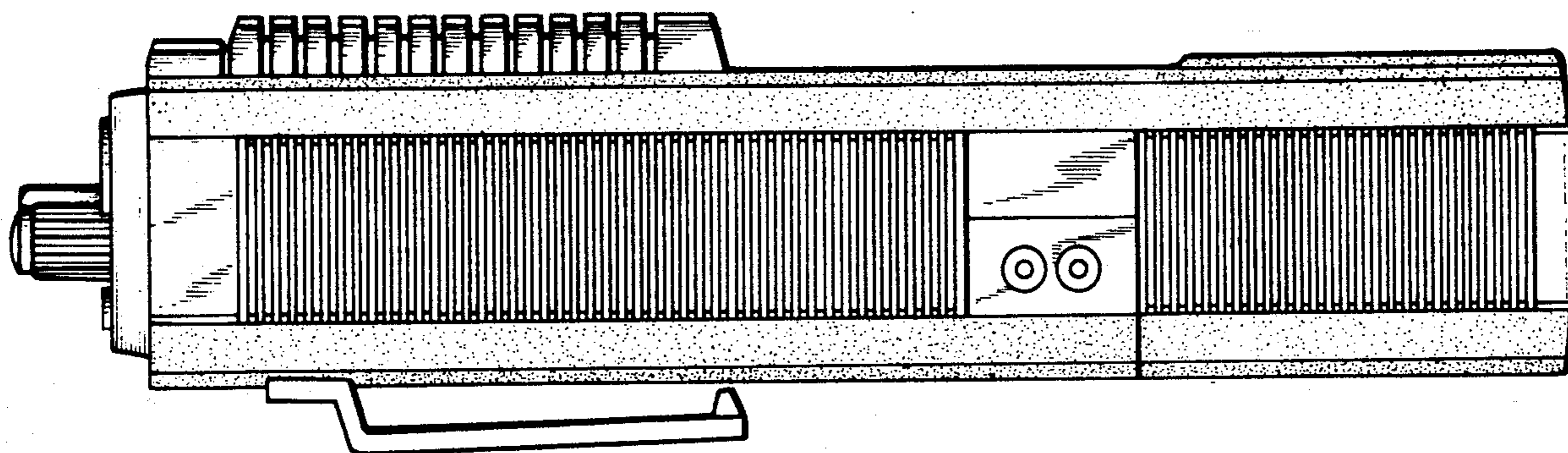


FIG. 6

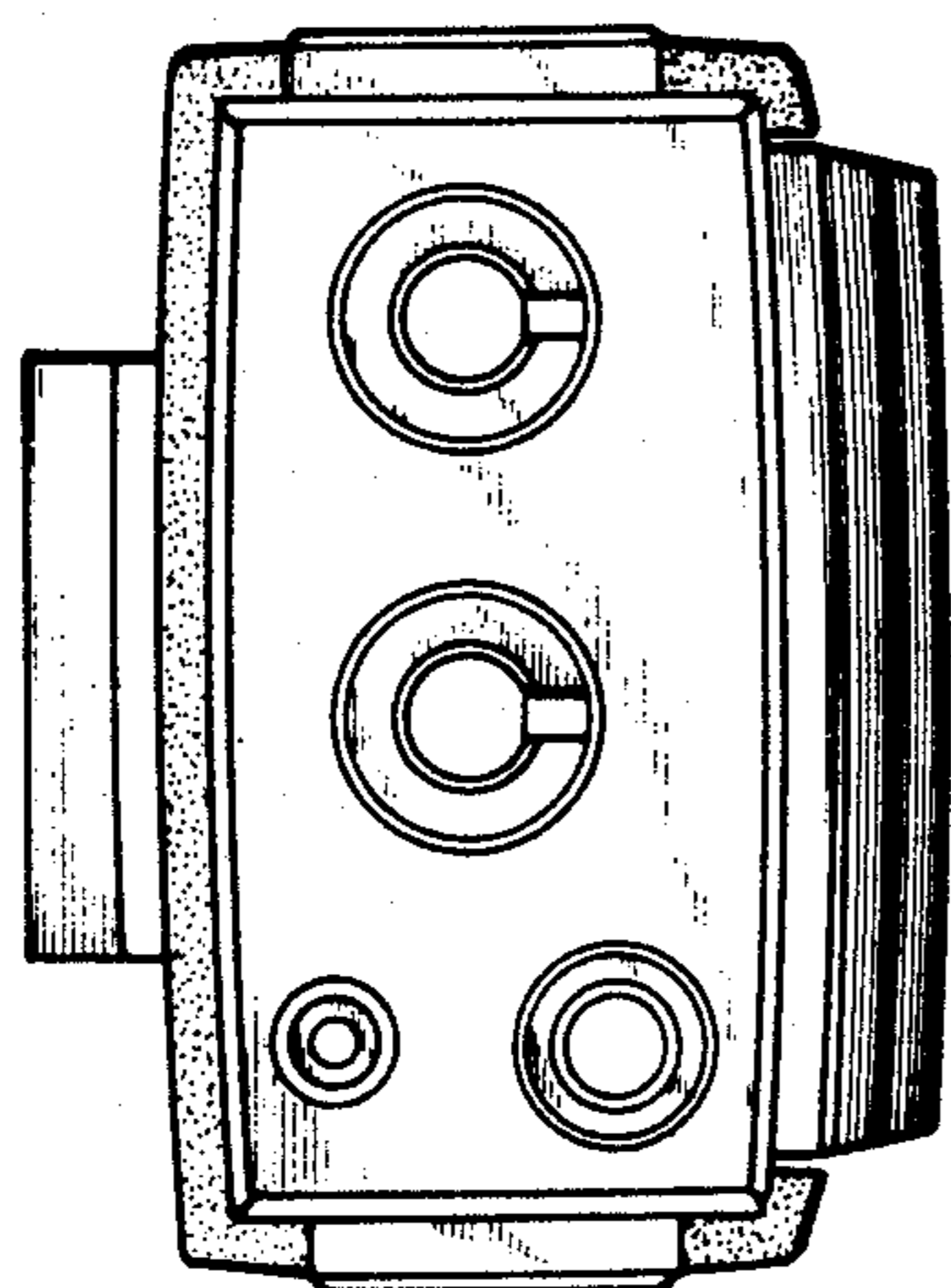


FIG. 4

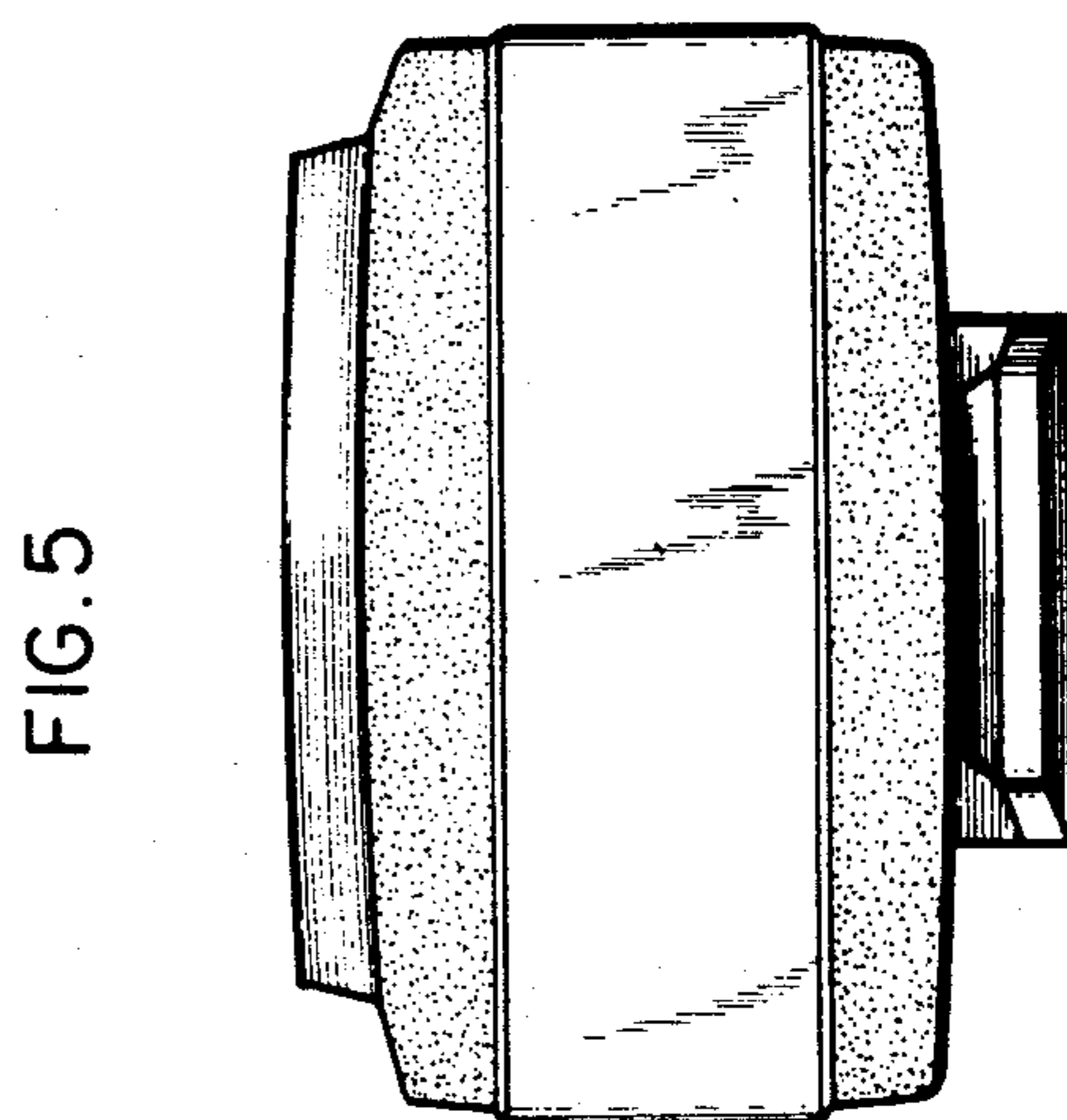


FIG. 5