

[54] BOAT ACCESSORY EXTRUSION

[76] Inventor: Allen Strickland, P.O. Box 612, Blackshear, Ga. 31516

[**] Term: 14 Years

[21] Appl. No.: 620,857

[22] Filed: Jun. 15, 1984

[52] U.S. Cl. D12/317

[58] Field of Search D12/317; 114/343, 364; D25/74; 49/404, 426; 52/732, 738

[56] References Cited

U.S. PATENT DOCUMENTS

D. 257,337	10/1980	Black	D12/317
D. 283,351	4/1986	Bancroft	D25/74
1,141,445	6/1915	Davison	49/404
2,494,804	1/1950	Gabriel	114/364
4,180,347	12/1979	Piget	52/732
4,408,433	10/1983	Scherrer	52/738

OTHER PUBLICATIONS

The Duracraft Product Guide, by (date unknown) Duracraft, Monticello, Arkansas.

Primary Examiner—James M. Gandy
Assistant Examiner—Kay H. Chin
Attorney, Agent, or Firm—Jones & Askew

[57] CLAIM

The ornamental design for a boat accessory extrusion, as shown and described.

DESCRIPTION

FIG. 1 is a perspective view of a boat accessory extrusion showing my new design, the broken lines are for illustrative purposes only and form no part of the design;

FIG. 2 is a side perspective view thereof;

FIG. 3 is a side elevation view thereof, the opposite side being a mirror image of that shown;

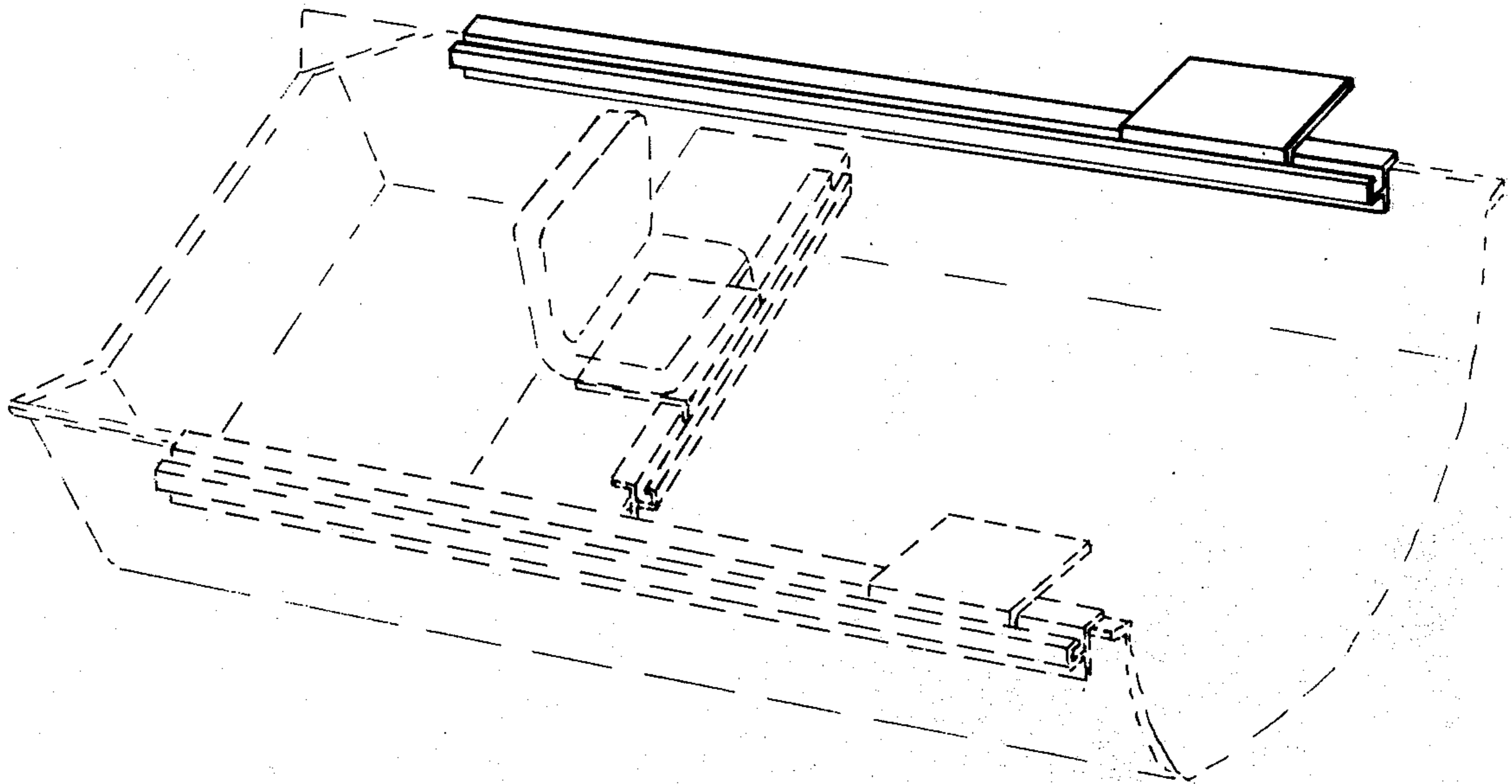
FIG. 4 is a front elevation view thereof;

FIG. 5 is a top plan view thereof;

FIG. 6 is a bottom plan view thereof; and

FIG. 7 is a rear elevation view thereof.

The boat accessory extrusion is fragmentarily shown in FIGS. 2-7 for convenience of illustration.



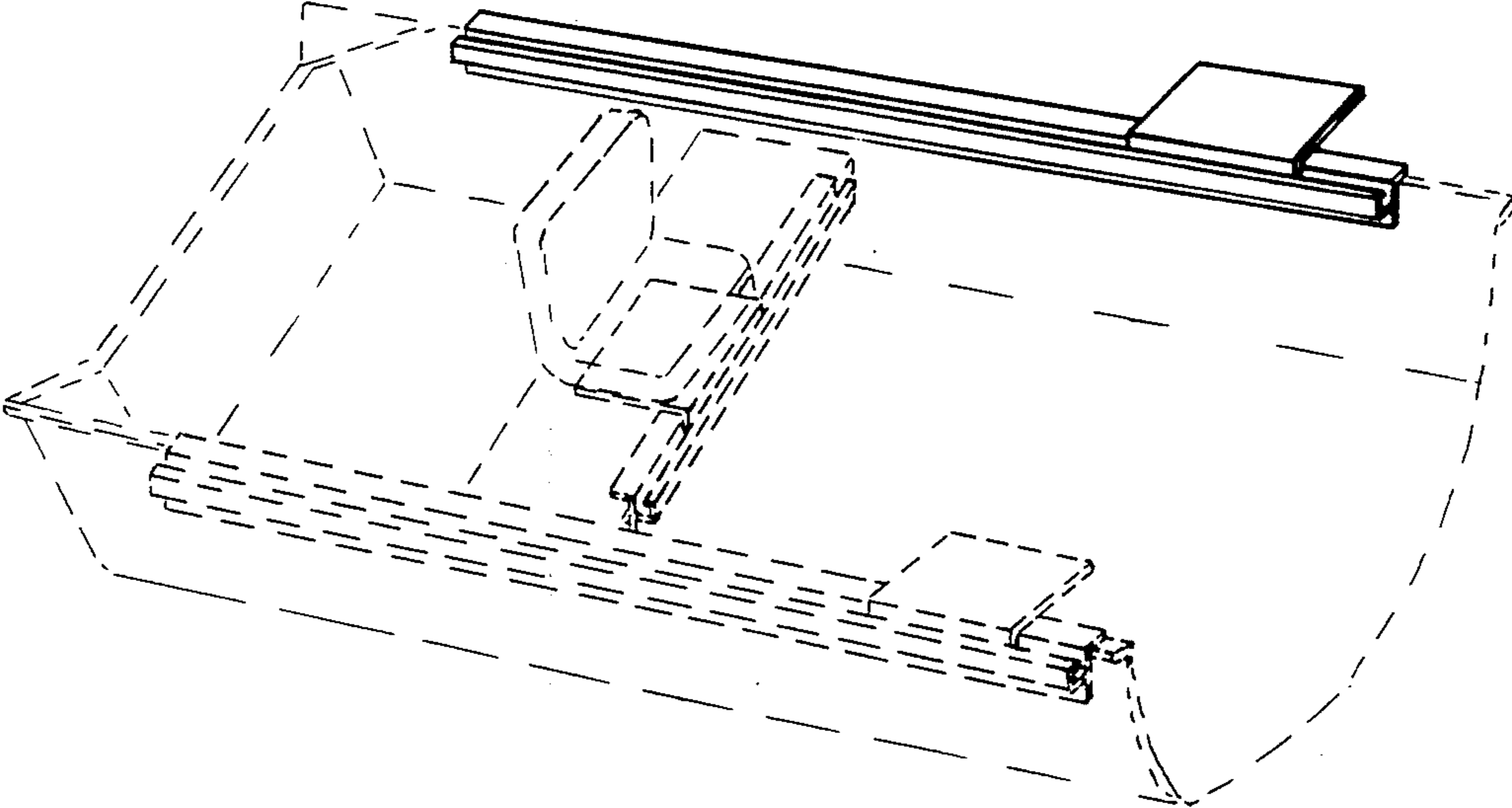


Fig. 1

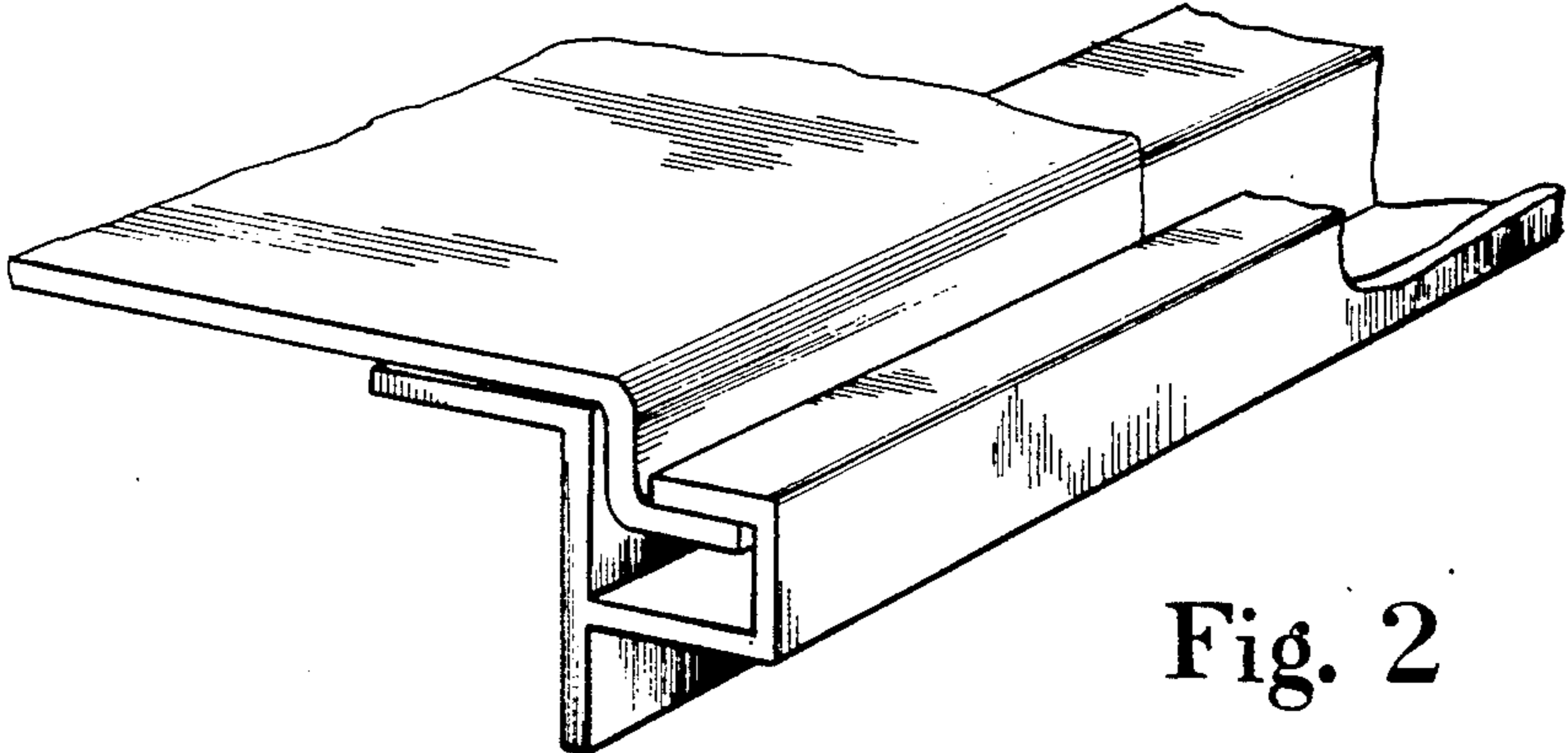


Fig. 2

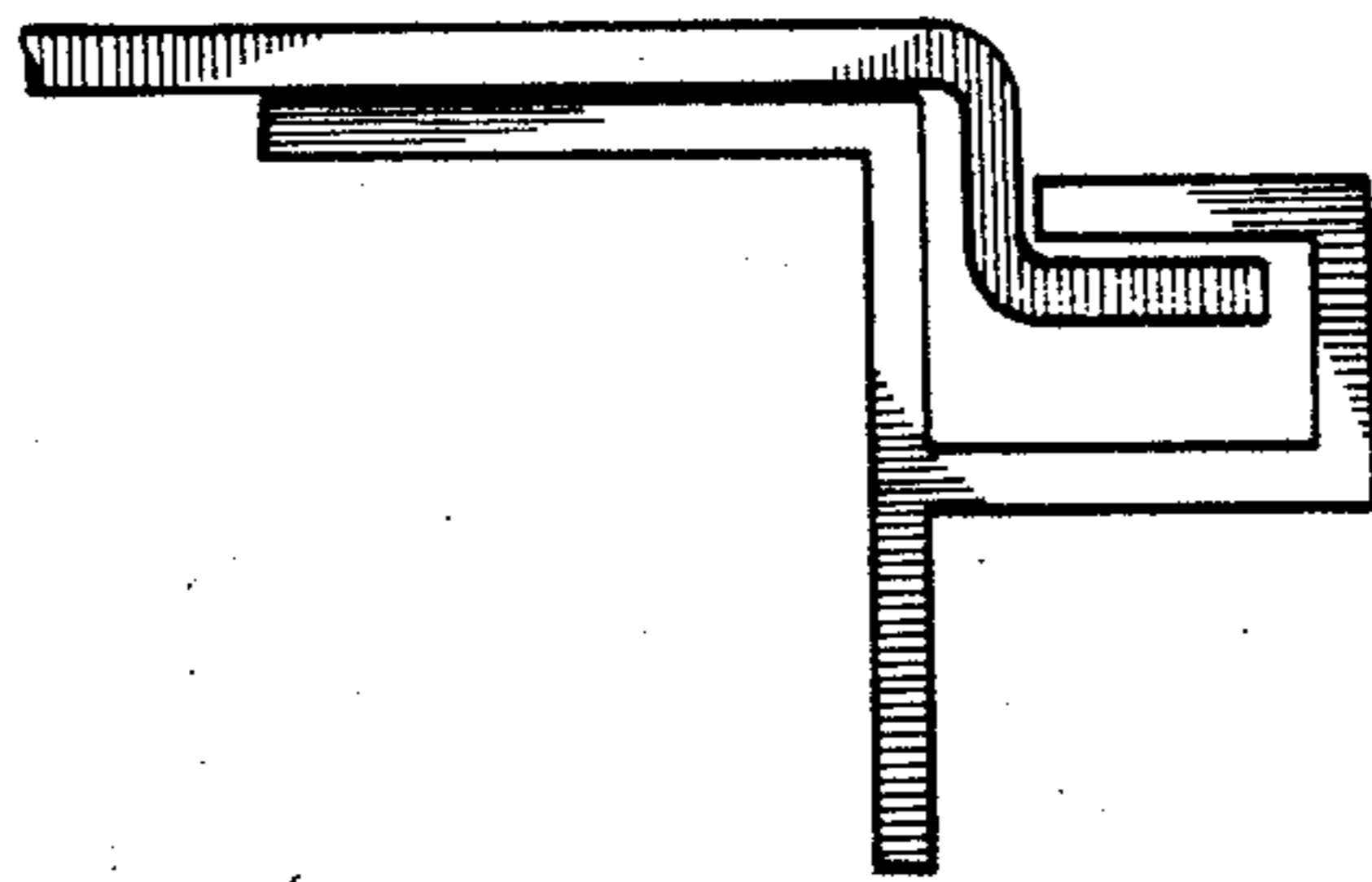


Fig. 3

Fig. 4

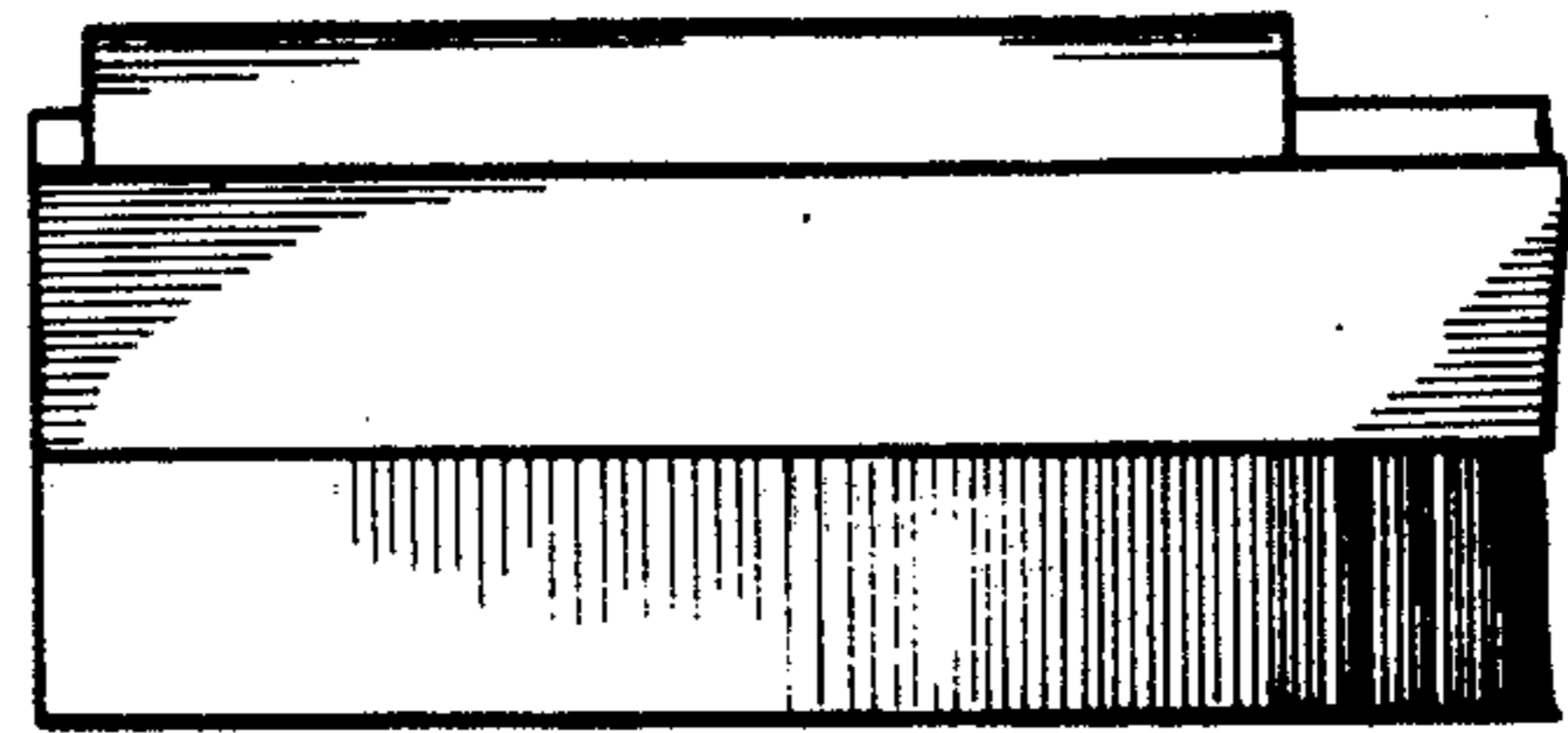


Fig. 5

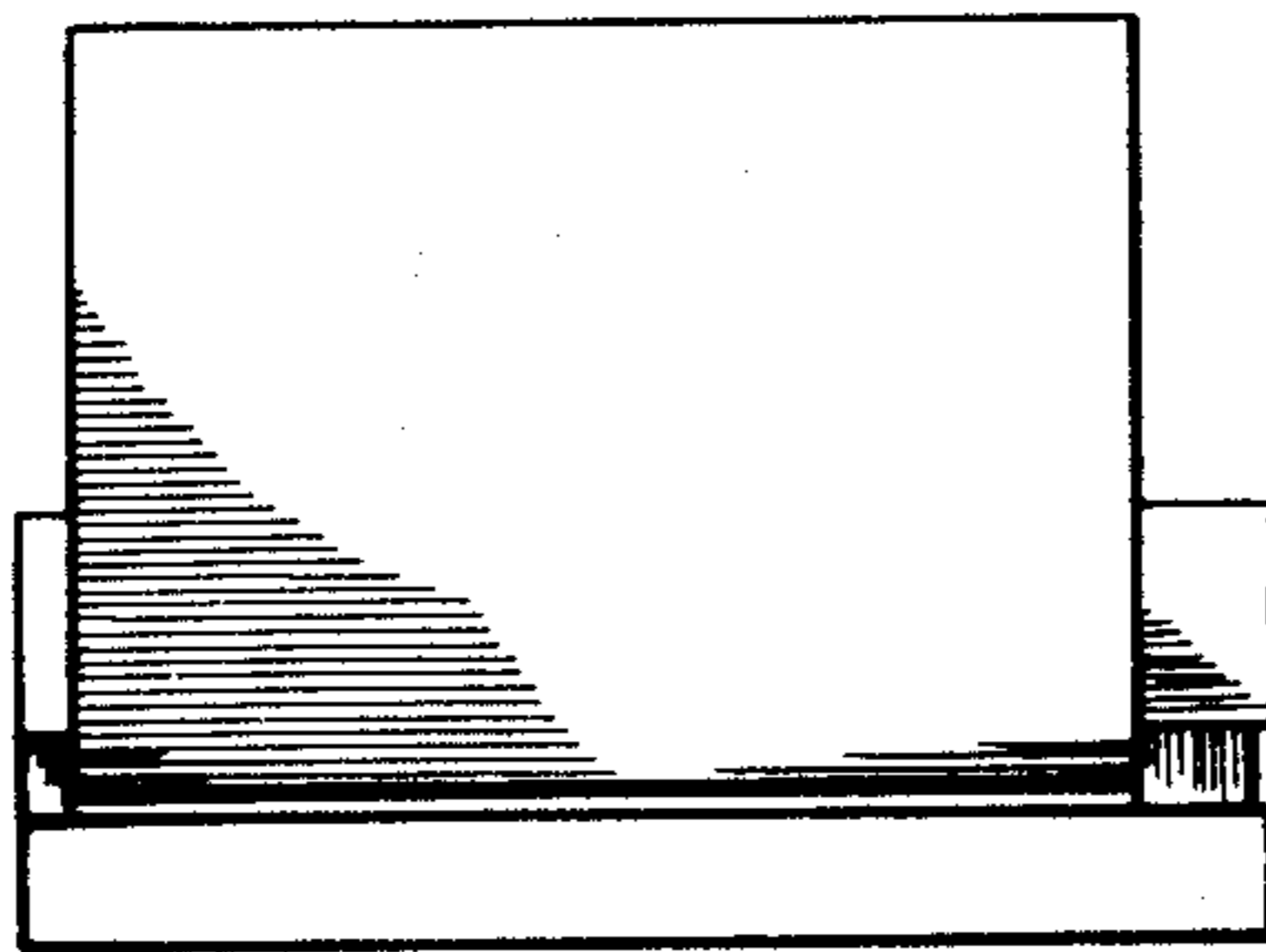


Fig. 6

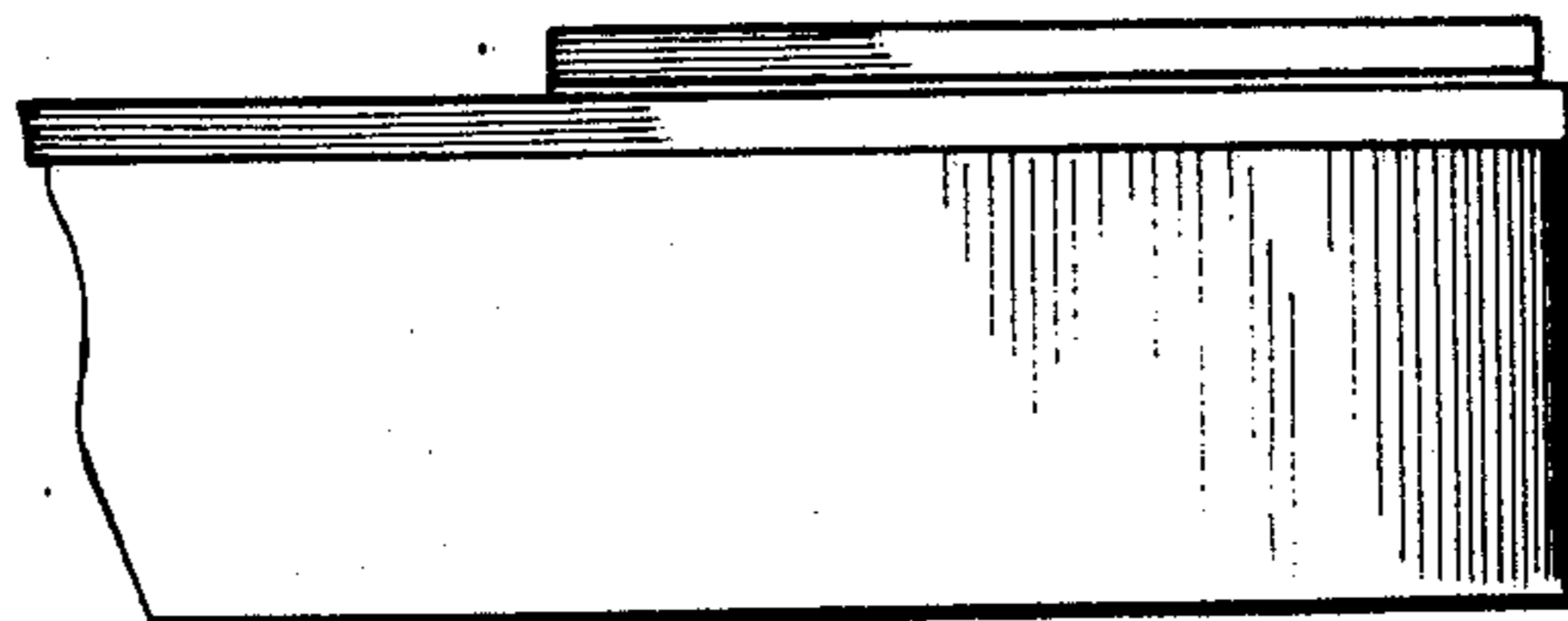
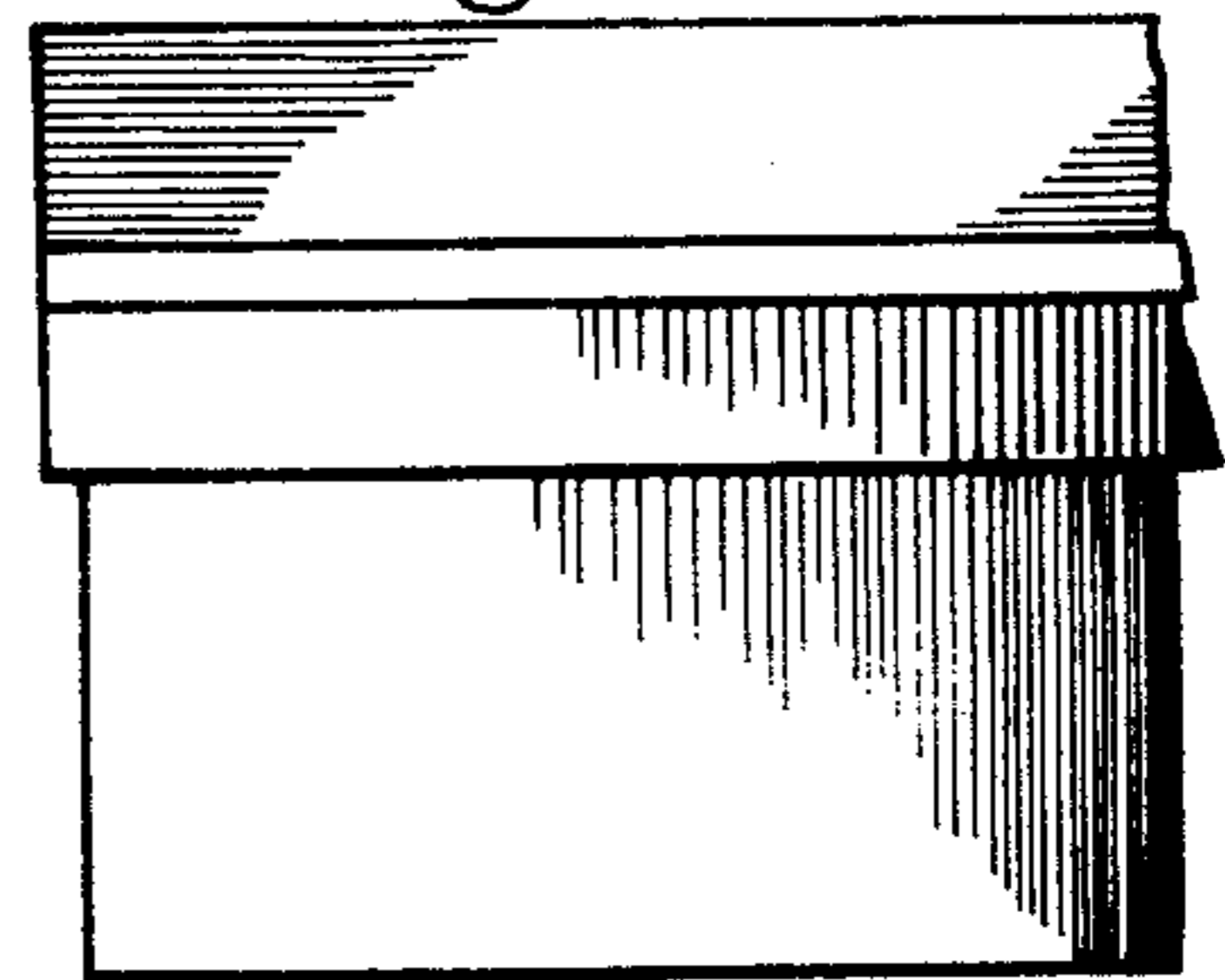


Fig. 7