

[54] TIRE

[75] Inventor: Ronald L. Messer, Simpsonville, S.C.

[73] Assignee: Michelin Recherche et Technique S.A., Basel, Switzerland

[\*\*] Term: 14 Years

[21] Appl. No.: 792,481

[22] Filed: Oct. 29, 1985

[52] U.S. Cl. .... D12/147

[58] Field of Search ..... D12/141-143, D12/146-151; 152/209 R, 209 D

[56] References Cited

U.S. PATENT DOCUMENTS

- D. 262,013 11/1981 Davis ..... D12/147
- D. 269,338 6/1983 Kojima et al. .... D12/147
- D. 276,906 12/1984 Kojima et al. .... D12/147
- D. 284,365 6/1986 Lassan ..... D12/147

OTHER PUBLICATIONS

1984 Tread Design Guide, p. 45, Laramie Trailboss Radial R. V. Tire, top left side of page; p. 149, Yoko-

hama Super Digger Y826 Tire, second row down from top and second tire in from right side of page; p. 244, National-1100 Radial 78-70 Tire, second tire in from top right side of page.

Tread Design Guide 1985, p. 56, Remington Steel-Aire XM Radial; p. 11, Bridgestone RD-207 Steel; p. 23, Dean Wintermaster Belted Radial; p. 45, Michelin AX (P).

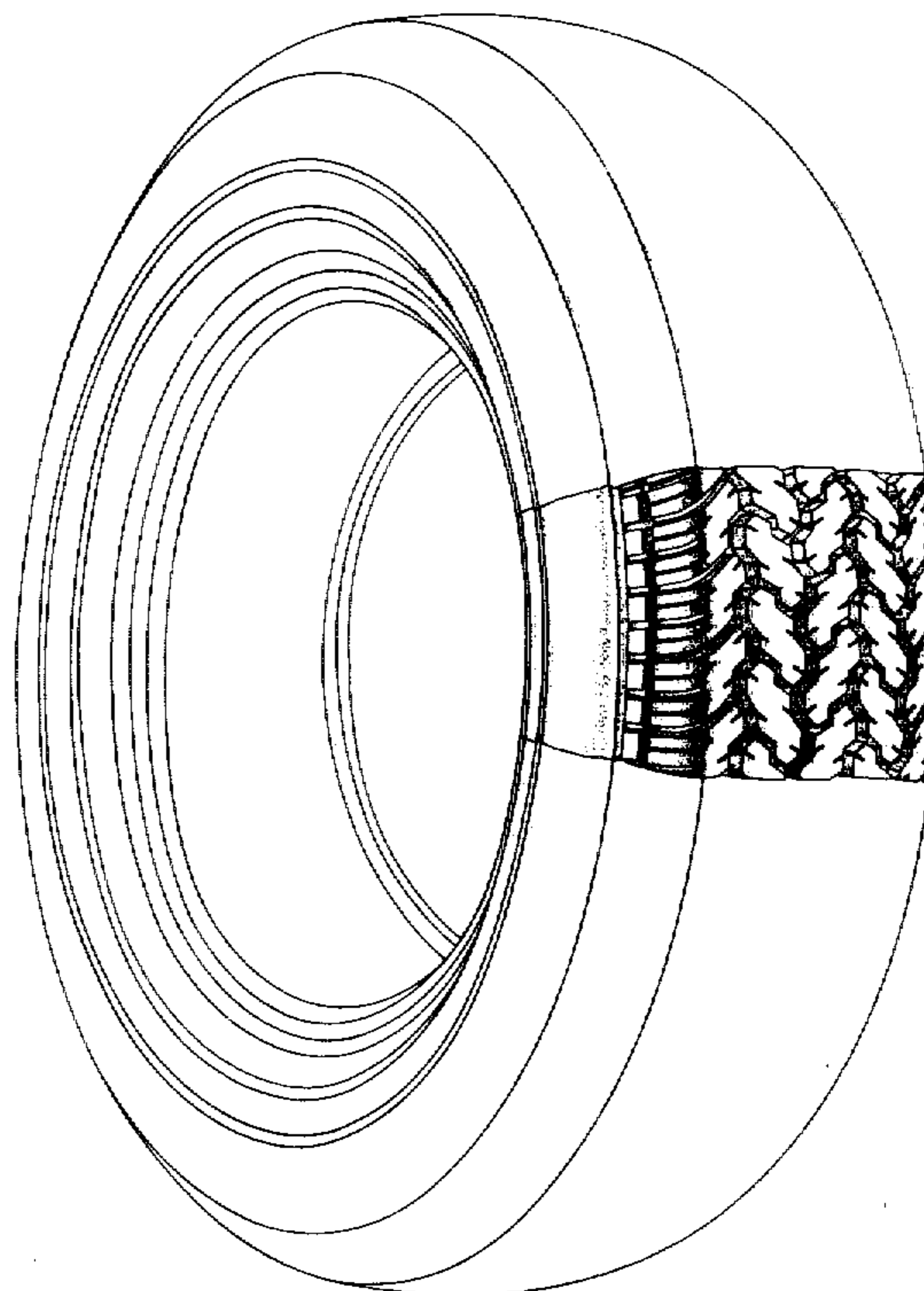
Primary Examiner—James M. Gandy  
Attorney, Agent, or Firm—Brumbaugh, Graves, Donohue & Raymond

[57] CLAIM

The ornamental design for a tire, as shown and described.

DESCRIPTION

The FIGURE is a perspective view of a tire showing my new design, it being understood that the tread pattern is repeated throughout the circumference of the tire, as shown schematically by solid lines, the opposite side being substantially the same as that shown.



U.S. Patent

Jul 21, 1987

Des. 290,942

