

[54] **KNOCK-DOWN TRICYCLE**

[75] **Inventors: Stephen W. Smith, Bedford, Pa.;
William H. Ziegler, Jr., Opelika, Ala.**

[73] **Assignee: Brown Group Recreational Products,
Inc., Bedford, Pa.**

[**] **Term: 14 Years**

[21] **Appl. No.: 764,535**

[22] **Filed: Aug. 12, 1985**

[52] **U.S. Cl. D12/113**

[58] **Field of Search D12/112, 113; 280/282**

[56]

References Cited

U.S. PATENT DOCUMENTS

3,905,618 9/1975 Miranda D12/112
4,079,957 3/1978 Blease 280/282

Primary Examiner—James M. Gandy
Attorney, Agent, or Firm—Cesari and McKenna

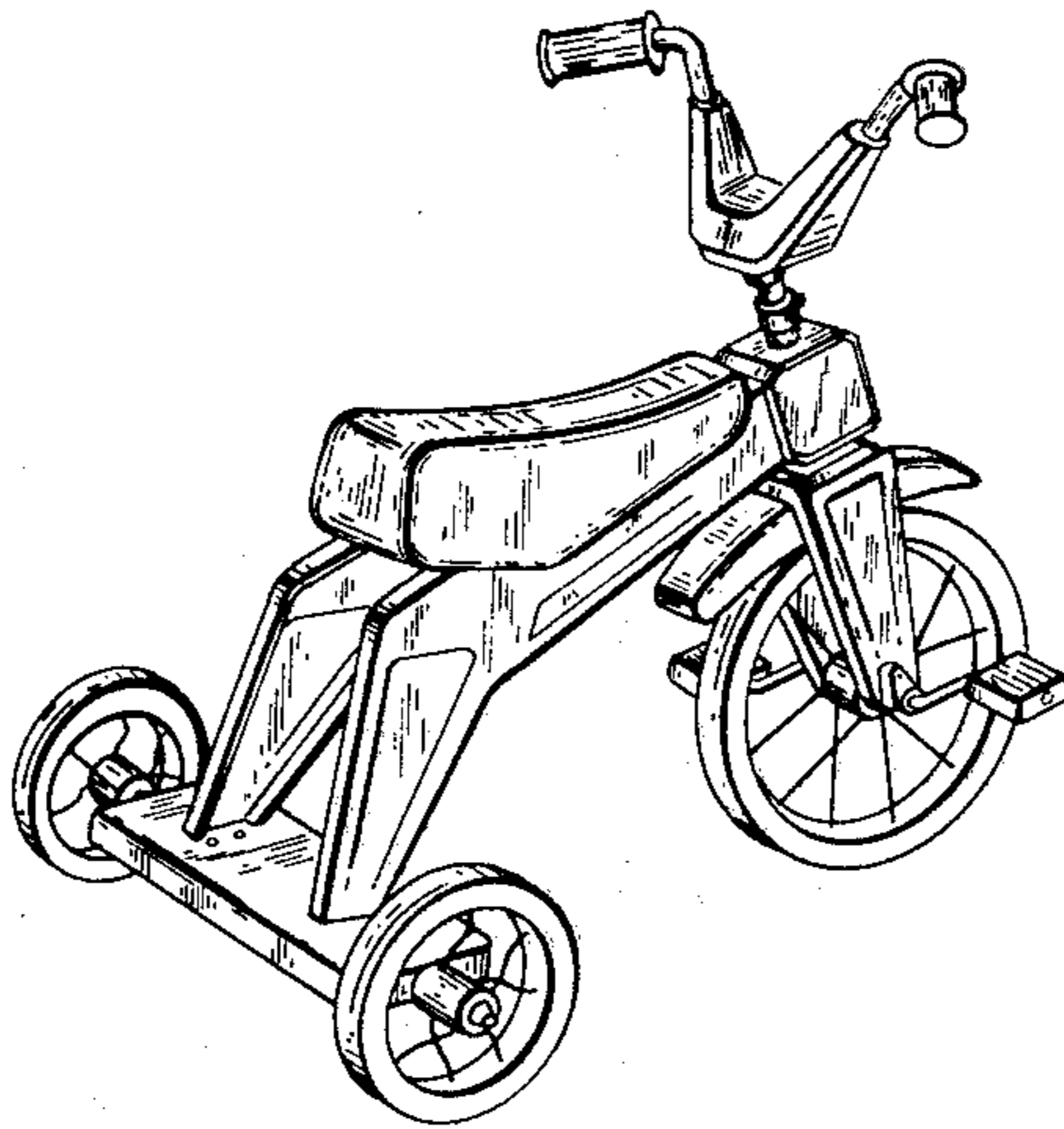
[57]

CLAIM

The ornamental design for a knock-down tricycle, as shown.

DESCRIPTION

FIG. 1 is a right rear quarter isometric view of a knock-down tricycle showing our new design; FIG. 2 is a front elevational view thereof; FIG. 3 is a left side elevational view thereof; FIG. 4 is a rear elevational view thereof; FIG. 5 is a top plan view thereof; and FIG. 6 is a bottom plan view thereof.



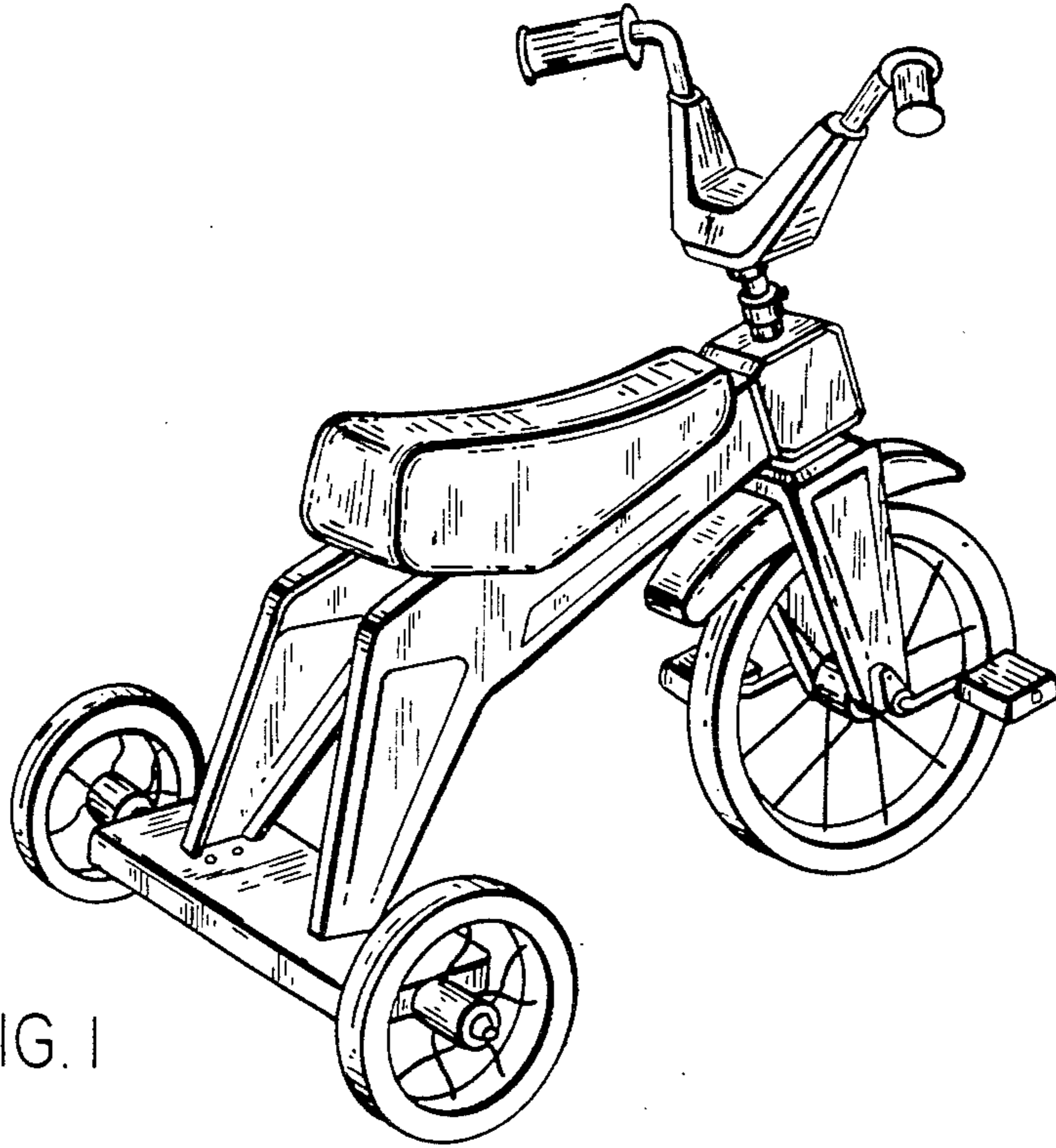


FIG. 1

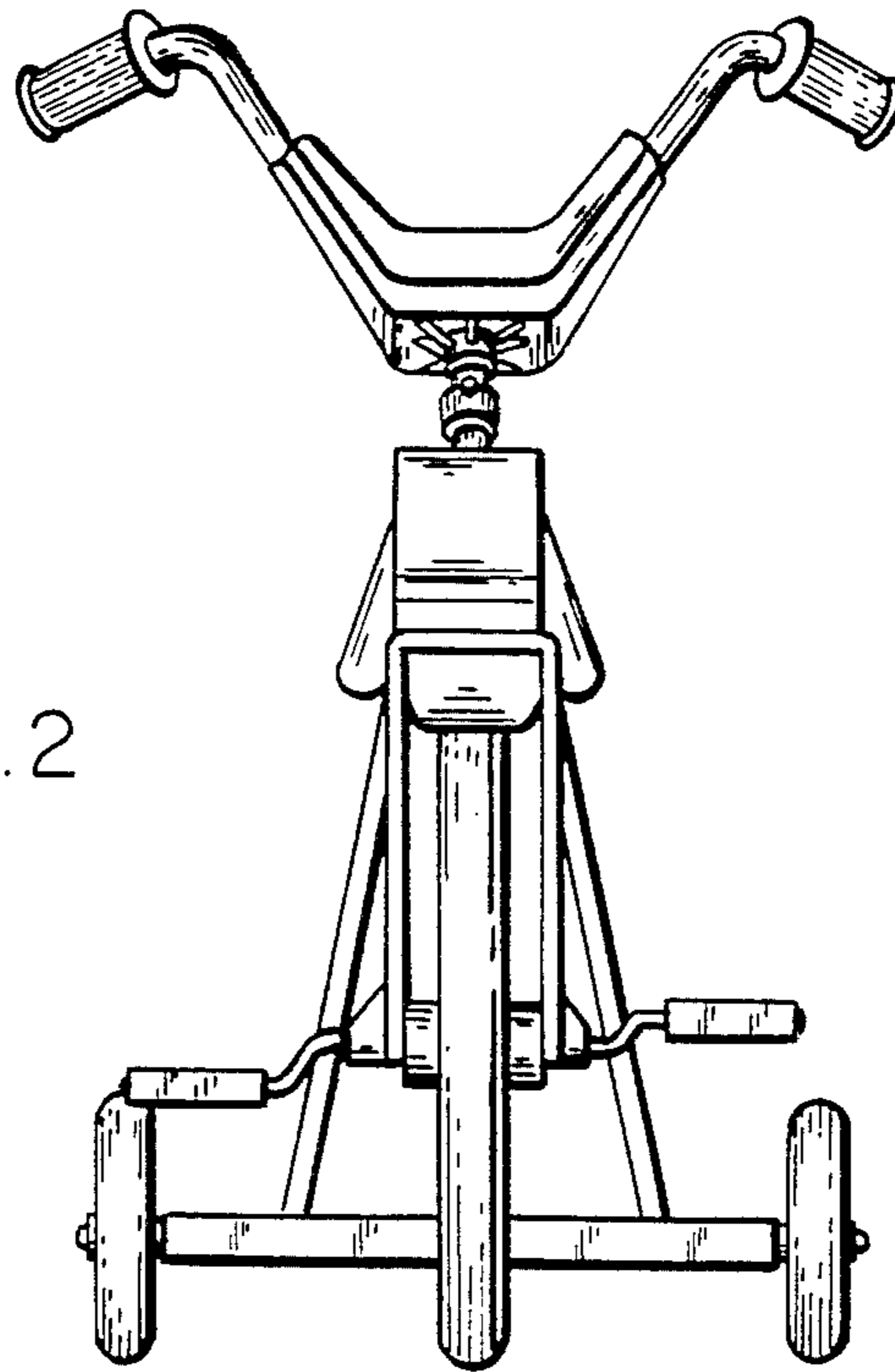


FIG. 2

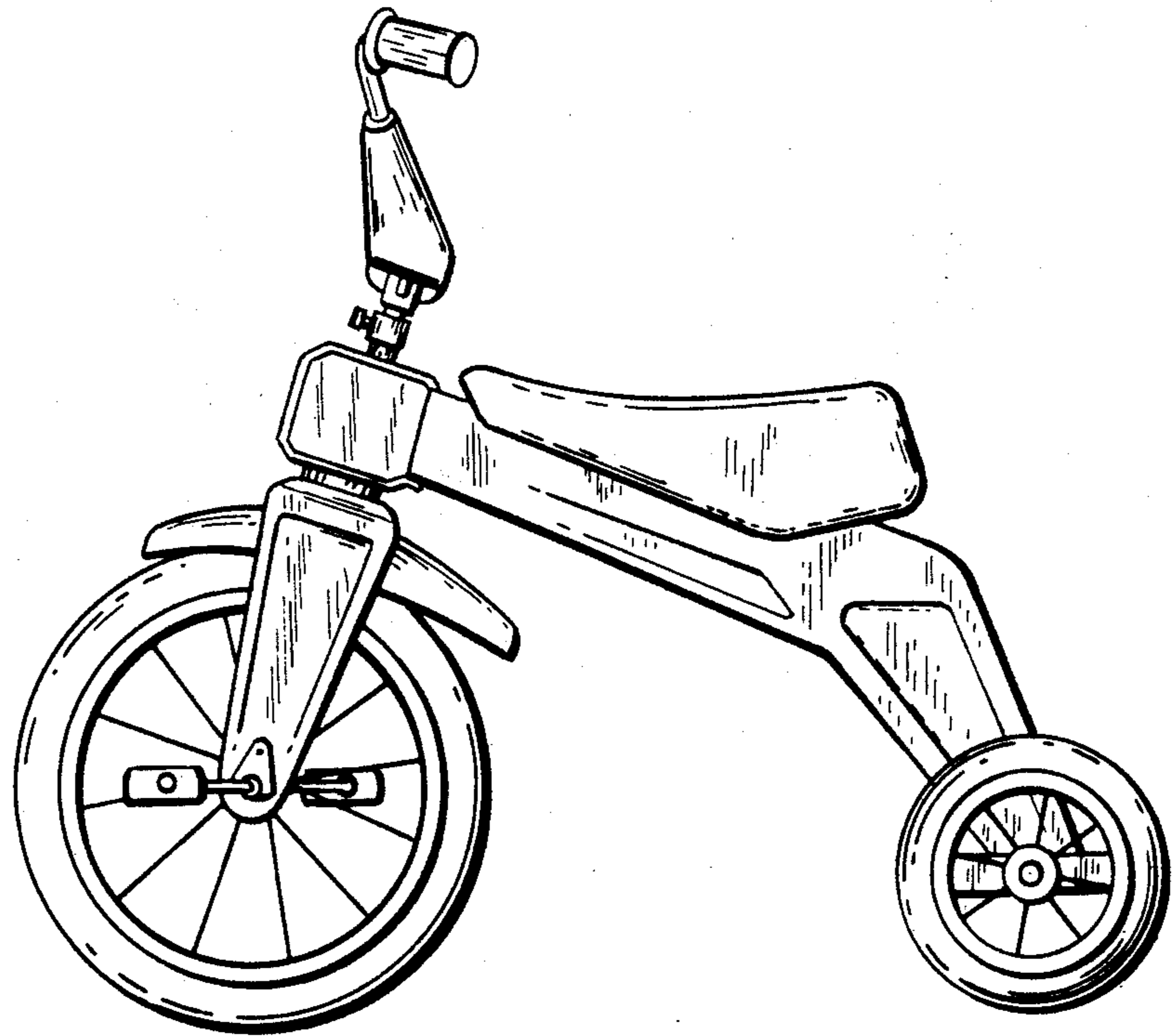


FIG. 3

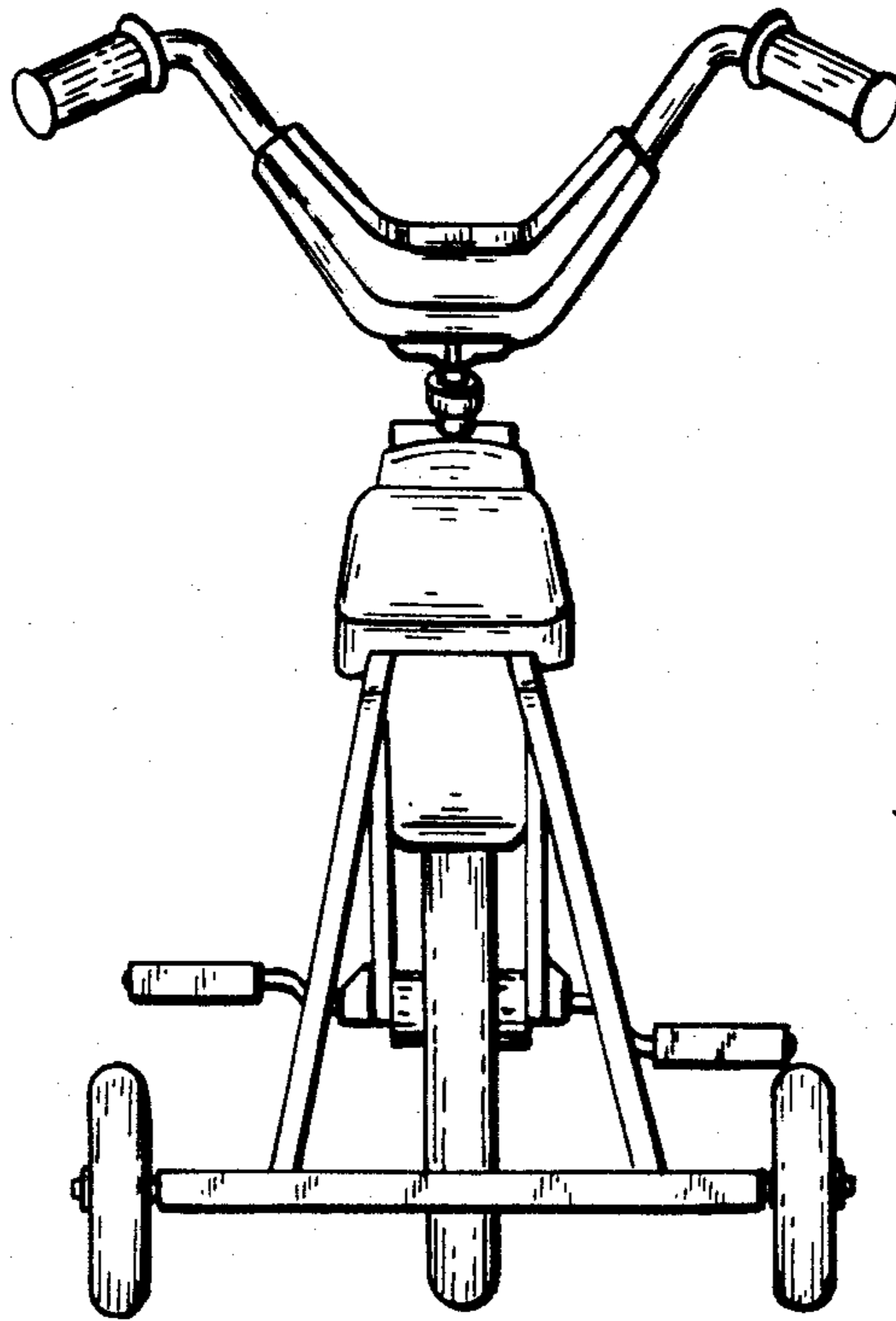


FIG. 4

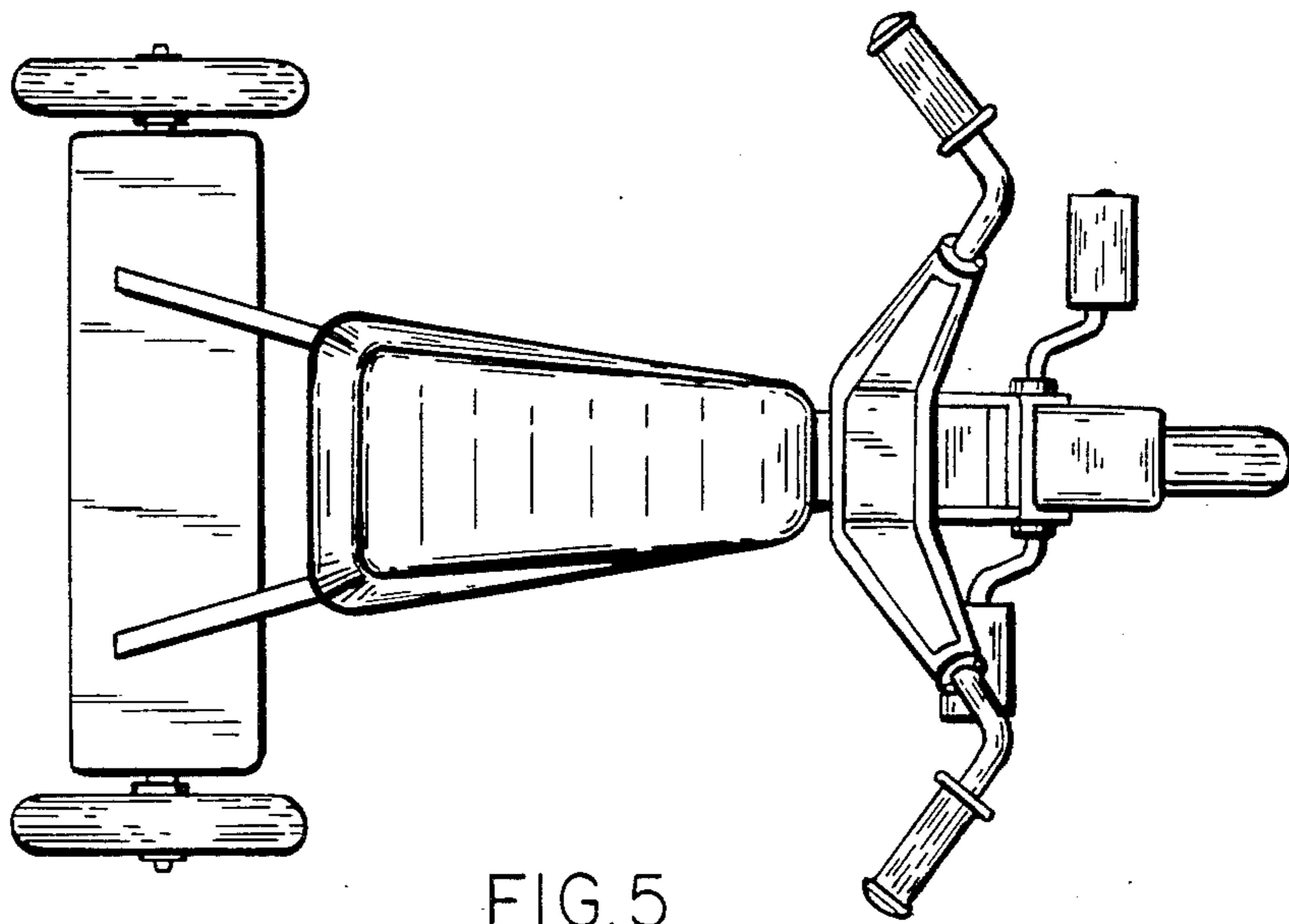


FIG. 5

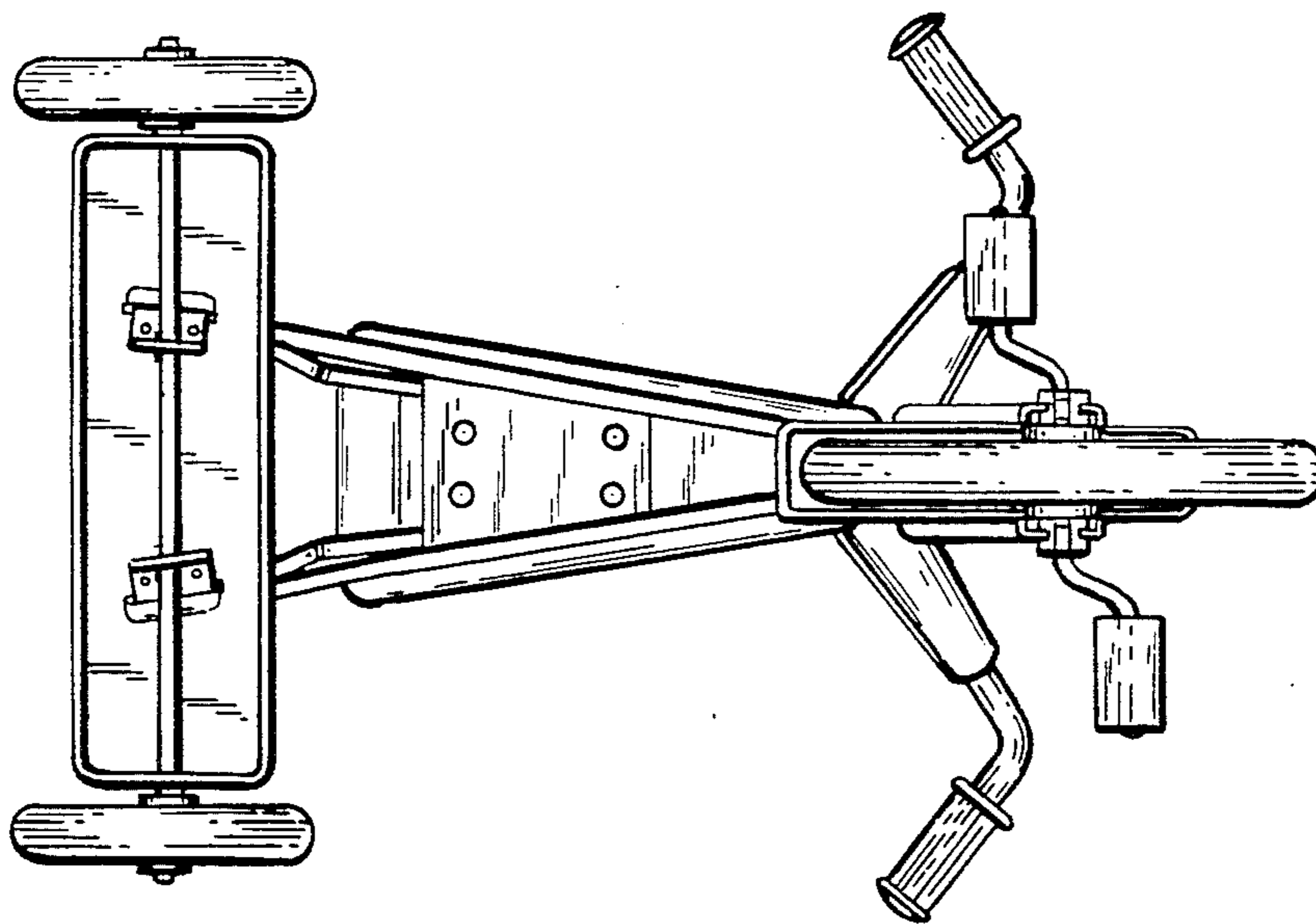


FIG. 6