

[54] **HANDLE FOR PACKAGES OR THE LIKE**

[76] **Inventor: Charles G. D. Williams, 31 Harbor Sight Dr., Rolling Hills Estates, Calif. 90274**

[\*\*] **Term: 14 Years**

[21] **Appl. No.: 755,156**

[22] **Filed: Jul. 15, 1985**

[52] **U.S. Cl. .... D9/434; D8/315**

[58] **Field of Search ..... D8/300, 315, 316, 317, D8/319, 320; D9/434, 499; 294/159, 167, 170, 171, 137**

[56] **References Cited**

**U.S. PATENT DOCUMENTS**

- 172,526 1/1876 Turner .
- 437,548 9/1890 Anderson .
- 584,717 6/1897 Wilson .
- 821,967 5/1906 Strauss .
- 872,258 6/1906 Burton et al. .
- 1,120,020 12/1914 Bullock .
- 1,187,496 6/1916 Bullock .

- 2,547,343 4/1951 O'Loughlin ..... 294/171
- 2,608,328 8/1952 Olson .
- 2,684,797 7/1954 Schulte ..... 294/170
- 2,832,521 4/1958 Gardner .
- 2,846,714 8/1958 Charlick ..... 294/171
- 3,172,586 3/1965 Lu .

**FOREIGN PATENT DOCUMENTS**

- 2541099 8/1984 France ..... 294/170

*Primary Examiner*—B. J. Bullock

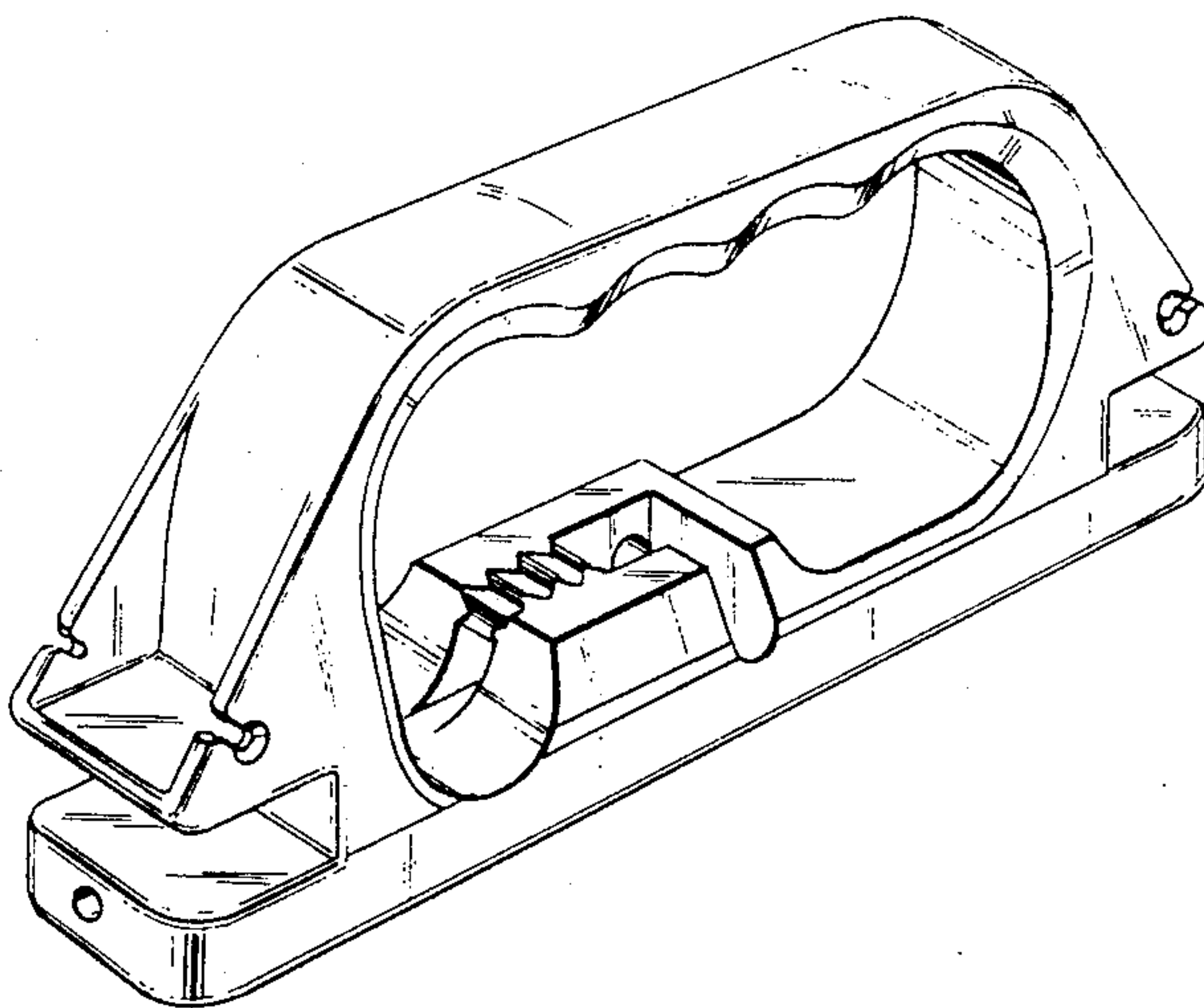
*Attorney, Agent, or Firm*—Knobbe, Martens, Olson & Bear

[57] **CLAIM**

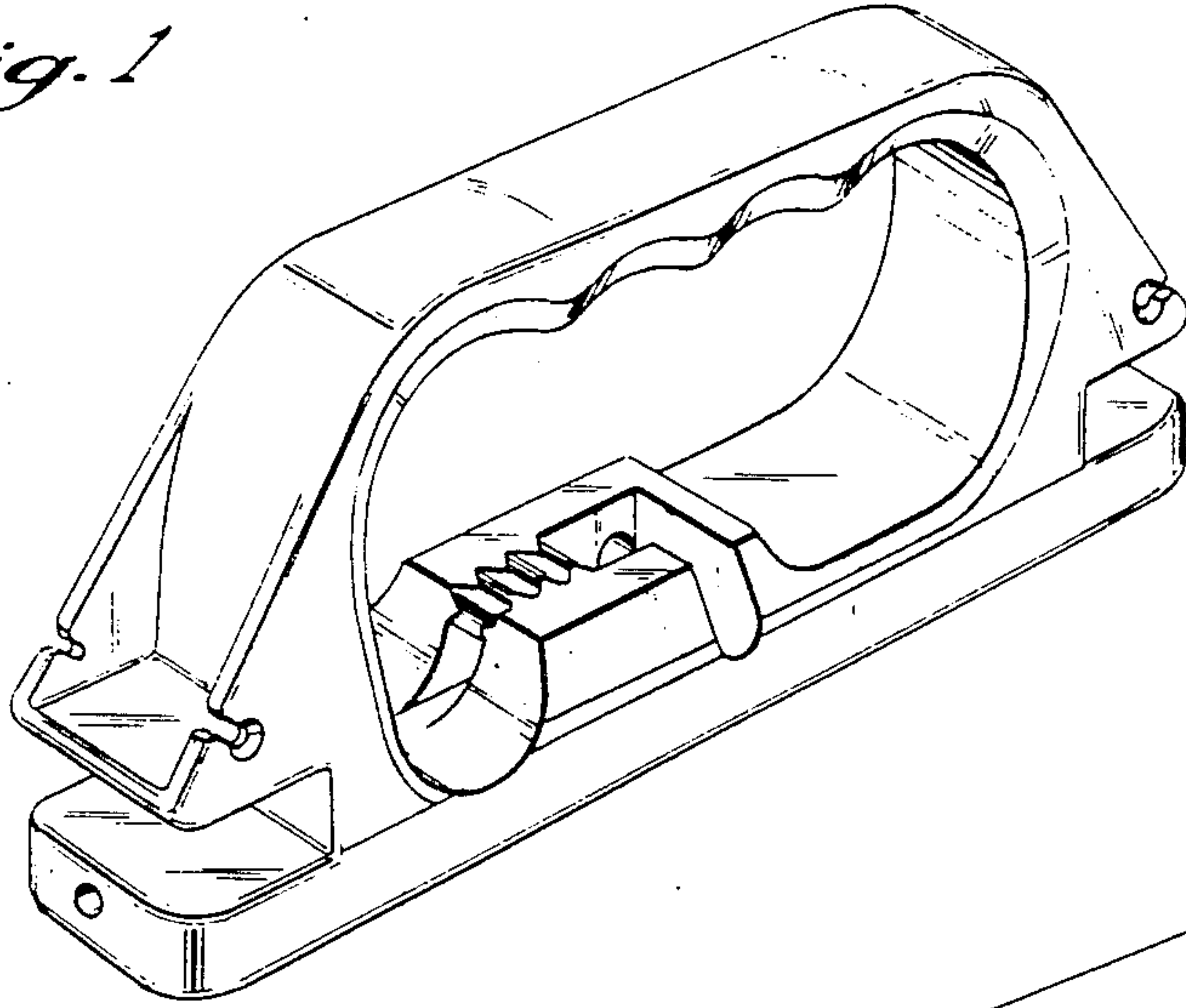
The ornamental design for a handle for packages or the like, as shown and described.

**DESCRIPTION**

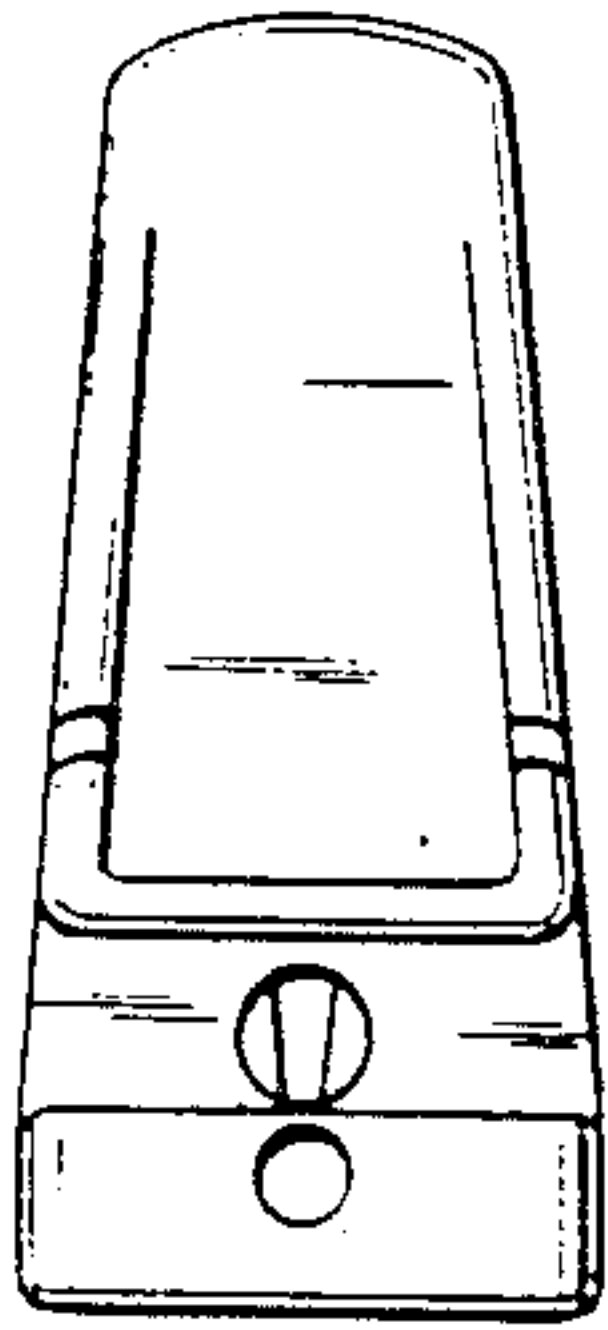
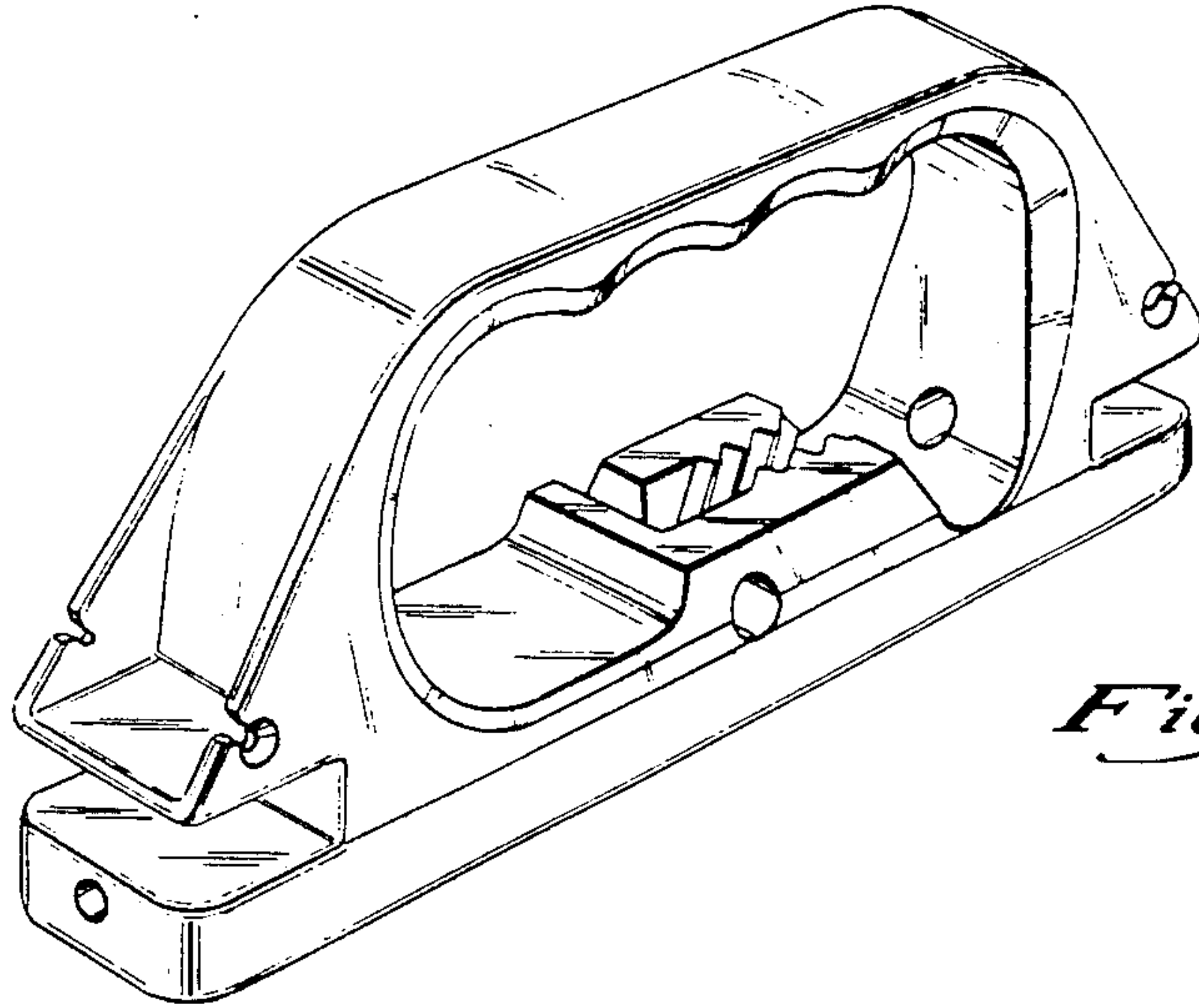
FIG. 1 is a right perspective view of a handle for packages or the like showing my new design;  
FIG. 2 is a left perspective view thereof;  
FIG. 3 is a right side elevational view thereof;  
FIG. 4 is a front end elevational view thereof;  
FIG. 5 is a rear end elevational view thereof.



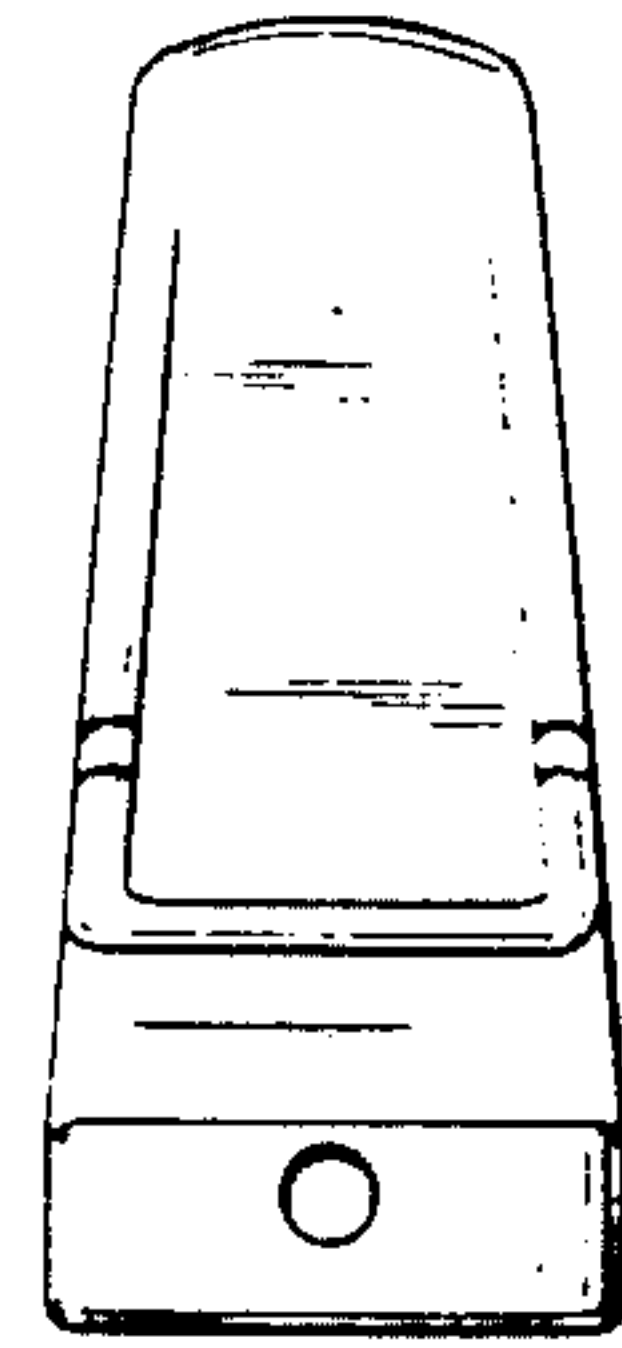
*Fig. 1*



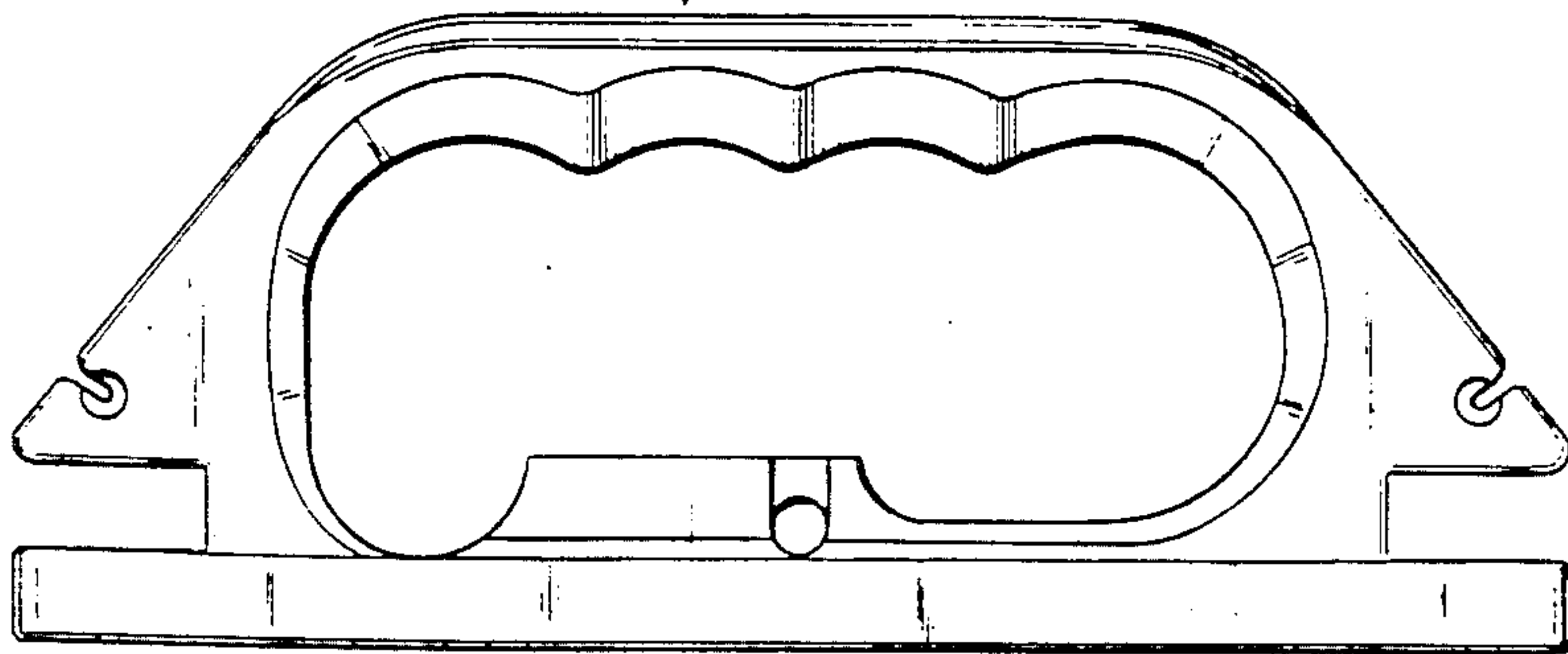
*Fig. 2*



*Fig. 4*



*Fig. 5*



*Fig. 3*