

[54] CONVEYOR CHAIN LINK

[56] References Cited

[75] Inventors: Goran Abbestam, Gothenburg; Leif Lachonius, Surte, both of Sweden

U.S. PATENT DOCUMENTS

D. 282,907	3/1986	Schroeder et al.	D8/499
2,059,063	10/1936	Tourville	198/851
3,785,476	1/1974	Poerink	198/853
4,244,457	1/1981	Ernst	198/851
4,276,980	7/1981	Oizumi	198/851
4,438,838	3/1984	Hodlowsky et al.	198/853

[73] Assignee: Aktiebolaget SKF, Gothenburg, Sweden

Primary Examiner—B. J. Bullock  
Attorney, Agent, or Firm—Eugene E. Renz, Jr.

[\*\*] Term: 14 Years

[57] CLAIM

[21] Appl. No.: 659,372

The ornamental design for a conveyor chain link, substantially as shown and described.

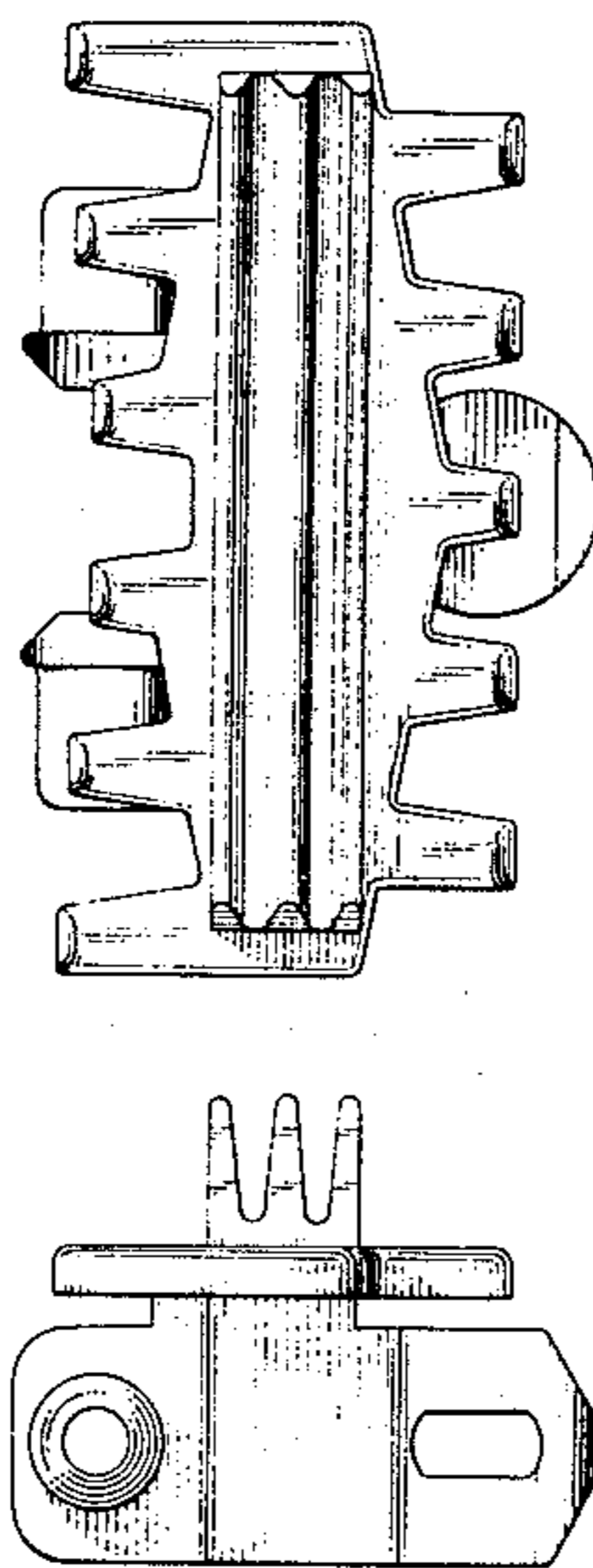
[22] Filed: Oct. 10, 1984

DESCRIPTION

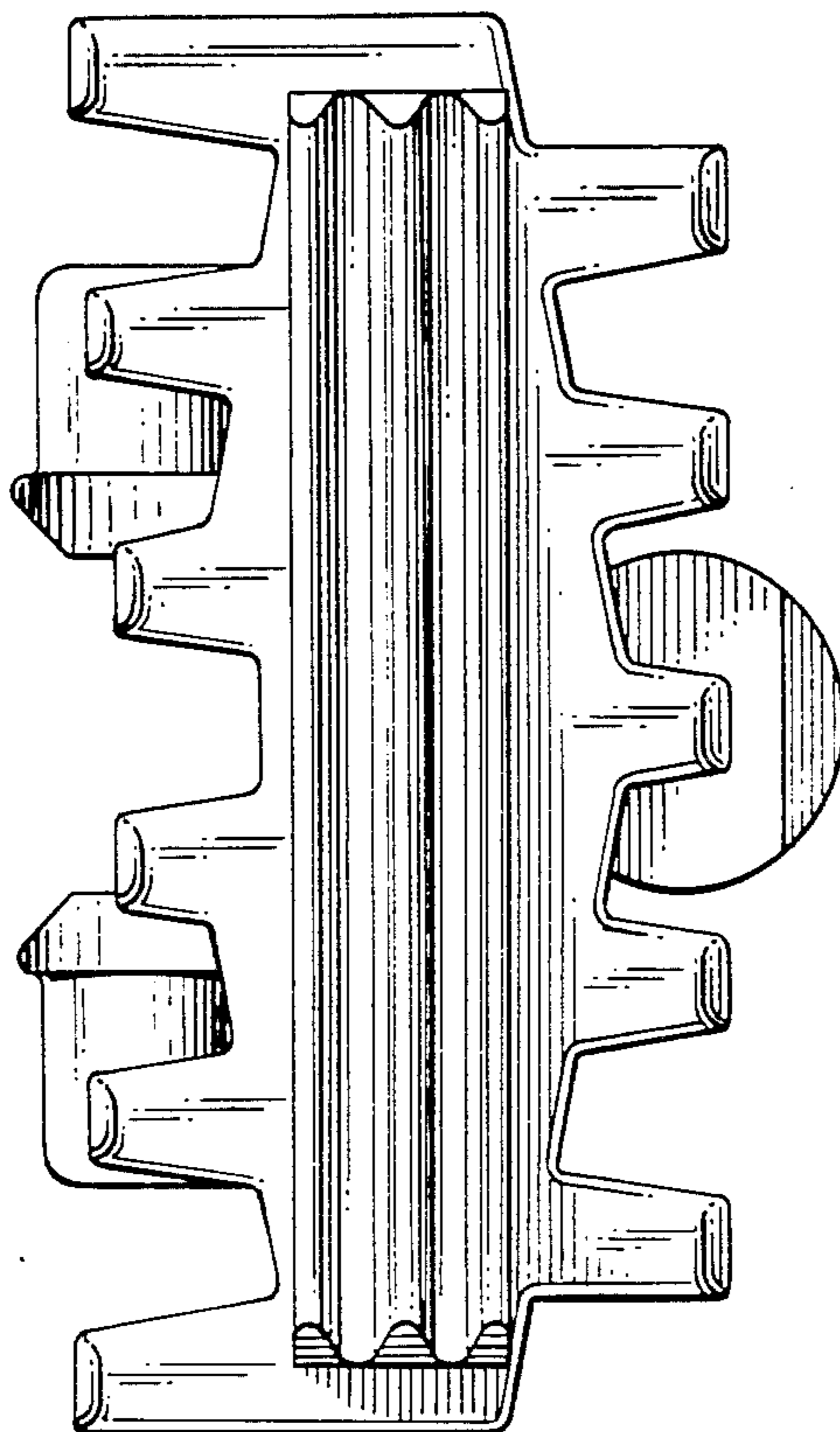
[30] Foreign Application Priority Data

Apr. 10, 1984	[SE]	Sweden	841176
[52]	U.S. Cl.		D8/499
[58]	Field of Search	D8/499; 998/850, 851, 998/853	

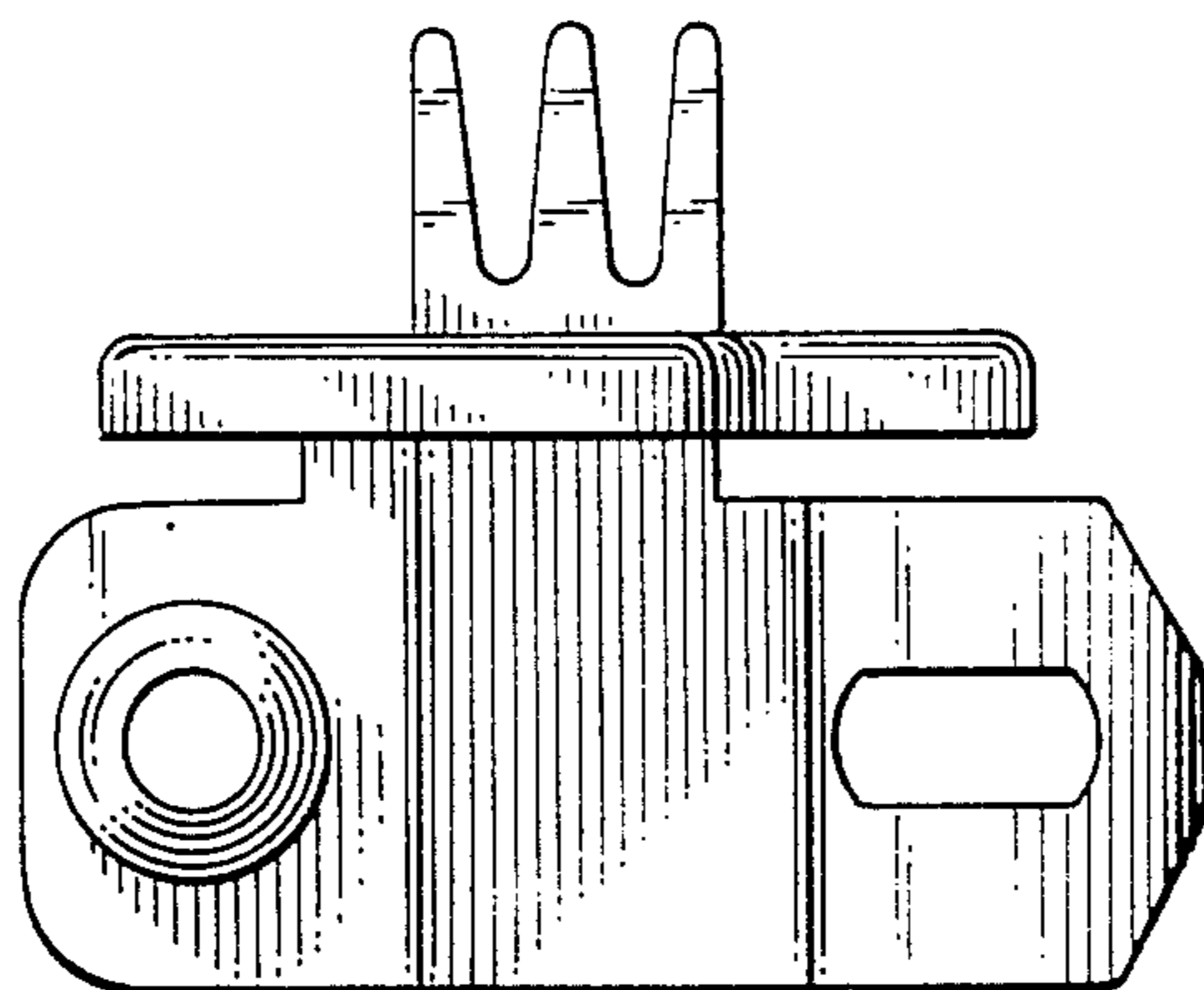
FIG. 1 is a side elevational view of a conveyor chain link showing our new design;  
FIG. 2 is a top plan view thereof;  
FIG. 3 is a left side elevational view thereof;  
FIG. 4 is a bottom plan view thereof;  
FIG. 5 is a right side elevational view thereof.



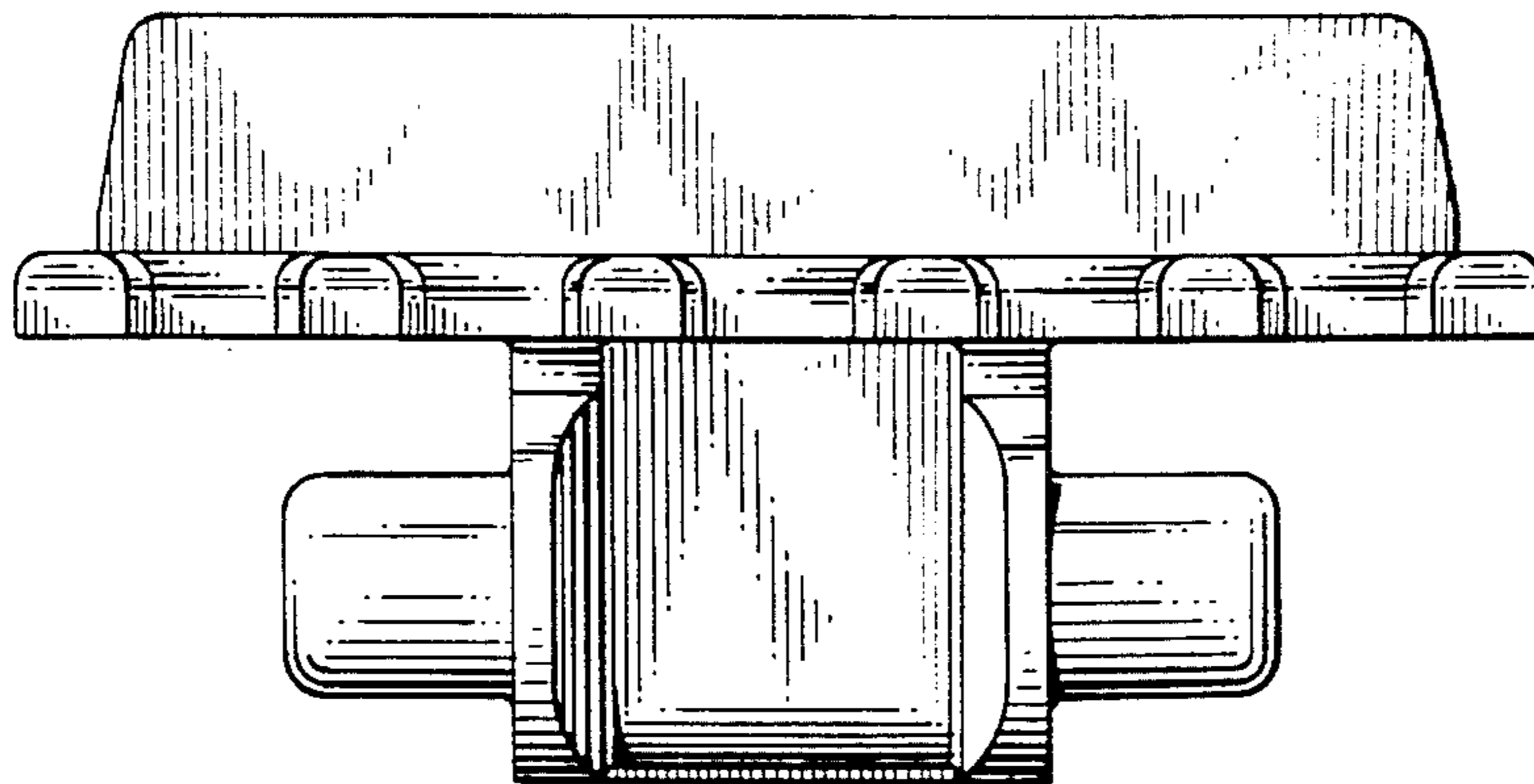
*FIG. 2.*



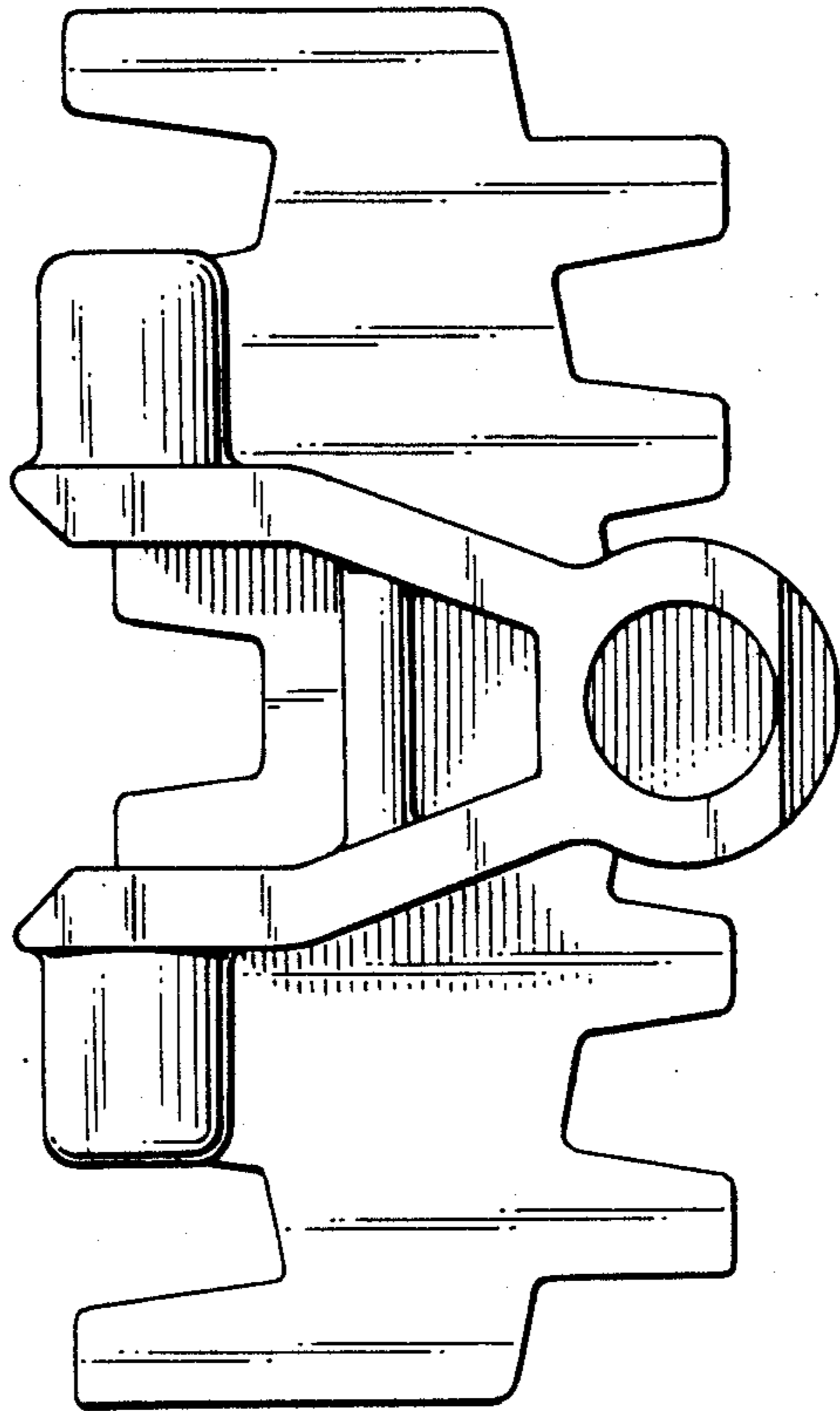
*FIG. 1.*



*FIG. 3.*



*Fig. 4.*



*Fig. 5.*

