

[54] LADDER HOOK BRACKET

[76] Inventor: Jerald C. Powell, 120 E. Winters Dr., Colorado Springs, Colo. 80907

[\*\*] Term: 14 Years

[21] Appl. No.: 640,732

[22] Filed: Aug. 14, 1984

[52] U.S. Cl. .... D8/373; D8/380; D8/371

[58] Field of Search ..... D8/371, 365, 367, 366, D8/373, 380; 248/211, 215, 225, 222.4; D6/323

[56] References Cited

U.S. PATENT DOCUMENTS

D. 70,830	8/1926	Dlouchy	.....	D8/366
D. 159,261	7/1950	Fiechter	.....	D6/323
D. 251,180	2/1979	Mader et al.	.....	D8/371
D. 256,747	9/1980	Stephen	.....	D8/381
982,604	1/1911	Herring	.....	248/211
1,601,652	9/1926	Sohnle	.....	248/211
1,661,837	3/1928	Little	.....	248/211
2,243,799	5/1941	Glosier	.....	248/211
2,536,967	1/1951	Thurgate	.....	248/211
2,855,170	10/1958	Spinello	.....	248/211
2,991,037	7/1961	Becher, Jr.	.....	248/211

3,272,467	9/1966	Kassube	.....	248/211
3,317,167	5/1967	Becker et al.	.....	248/222.4
3,729,159	4/1973	Foster	.....	248/205.1
4,120,472	10/1978	Balne	.....	248/211
4,387,873	6/1983	Pavlo et al.	.....	248/215

FOREIGN PATENT DOCUMENTS

654890	7/1951	United Kingdom	.....	248/215
--------	--------	----------------	-------	---------

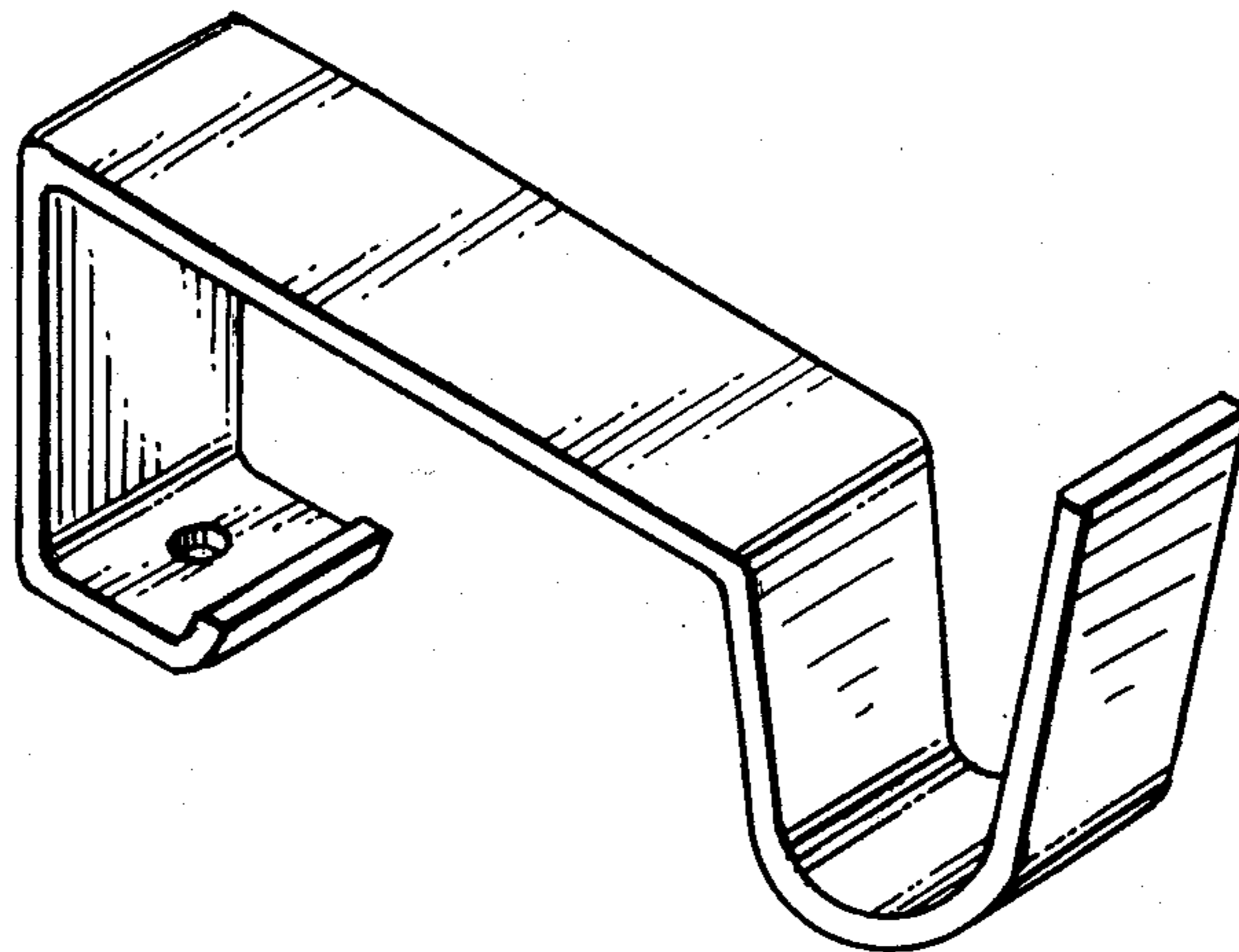
Primary Examiner—Wallace R. Burke  
Assistant Examiner—Horace B. Fay  
Attorney, Agent, or Firm—Henderson & Sturm

[57] CLAIM

The ornamental design for a ladder hook bracket or the like, substantially as shown and described.

DESCRIPTION

FIG. 1 is a left side, top and front perspective view of a ladder hook bracket showing my new design; FIGS. 2 and 3 are respectively front and rear elevational views thereof; FIG. 4 is a left side elevational view thereof, the right side view being a mirror image; FIG. 5 is a top plan view thereof; and FIG. 6 is a right side, bottom and front side perspective view thereof.



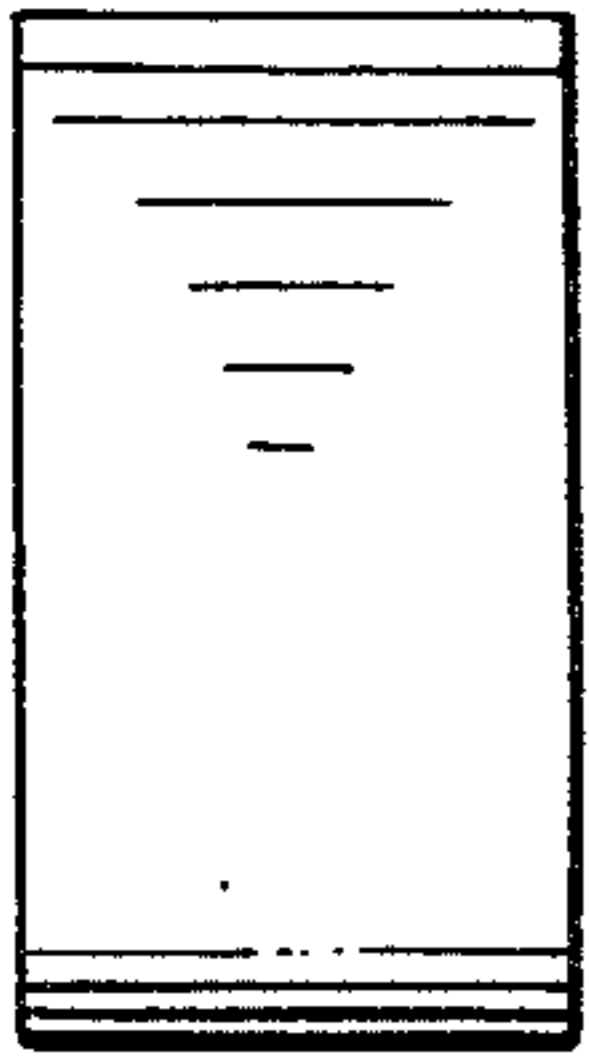


FIG. 2.

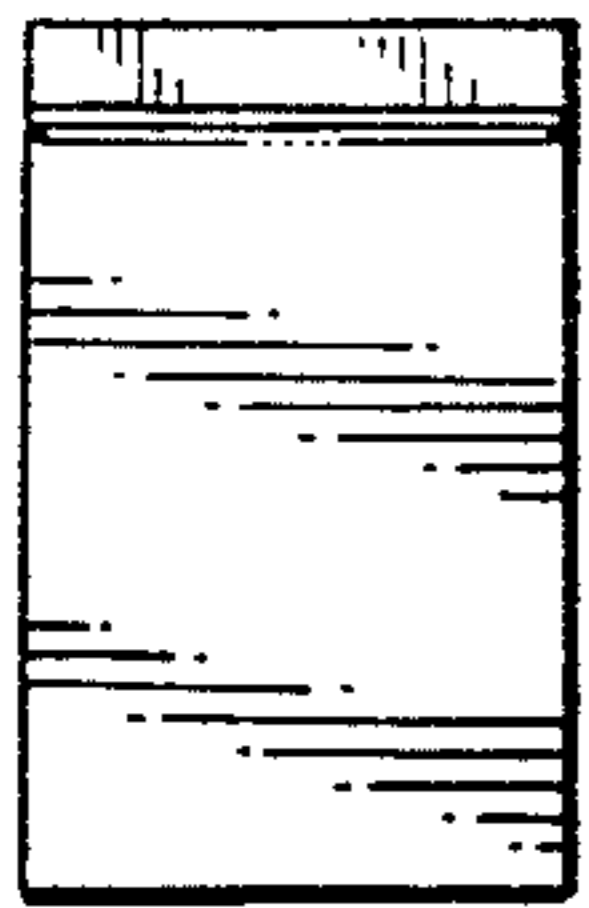


FIG. 3.

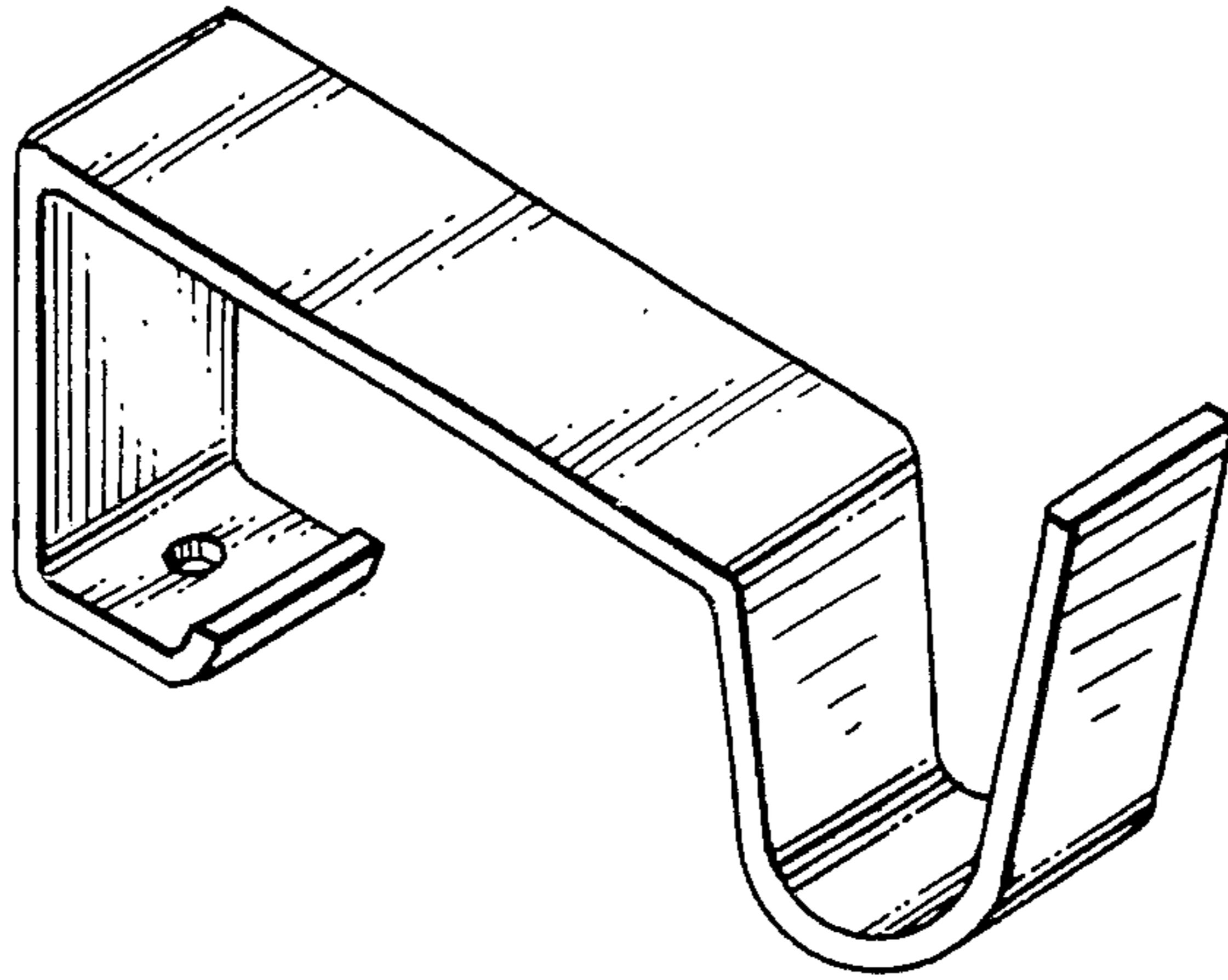


FIG. 1.

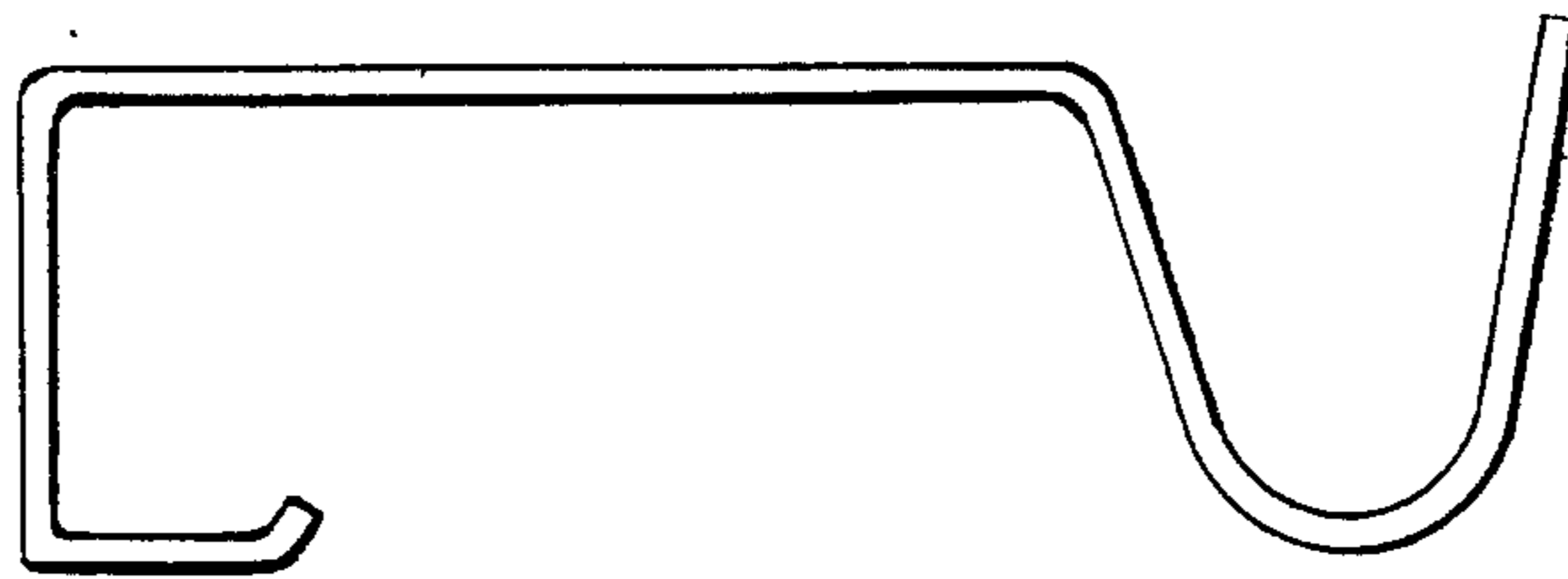


FIG. 4.



FIG. 5.

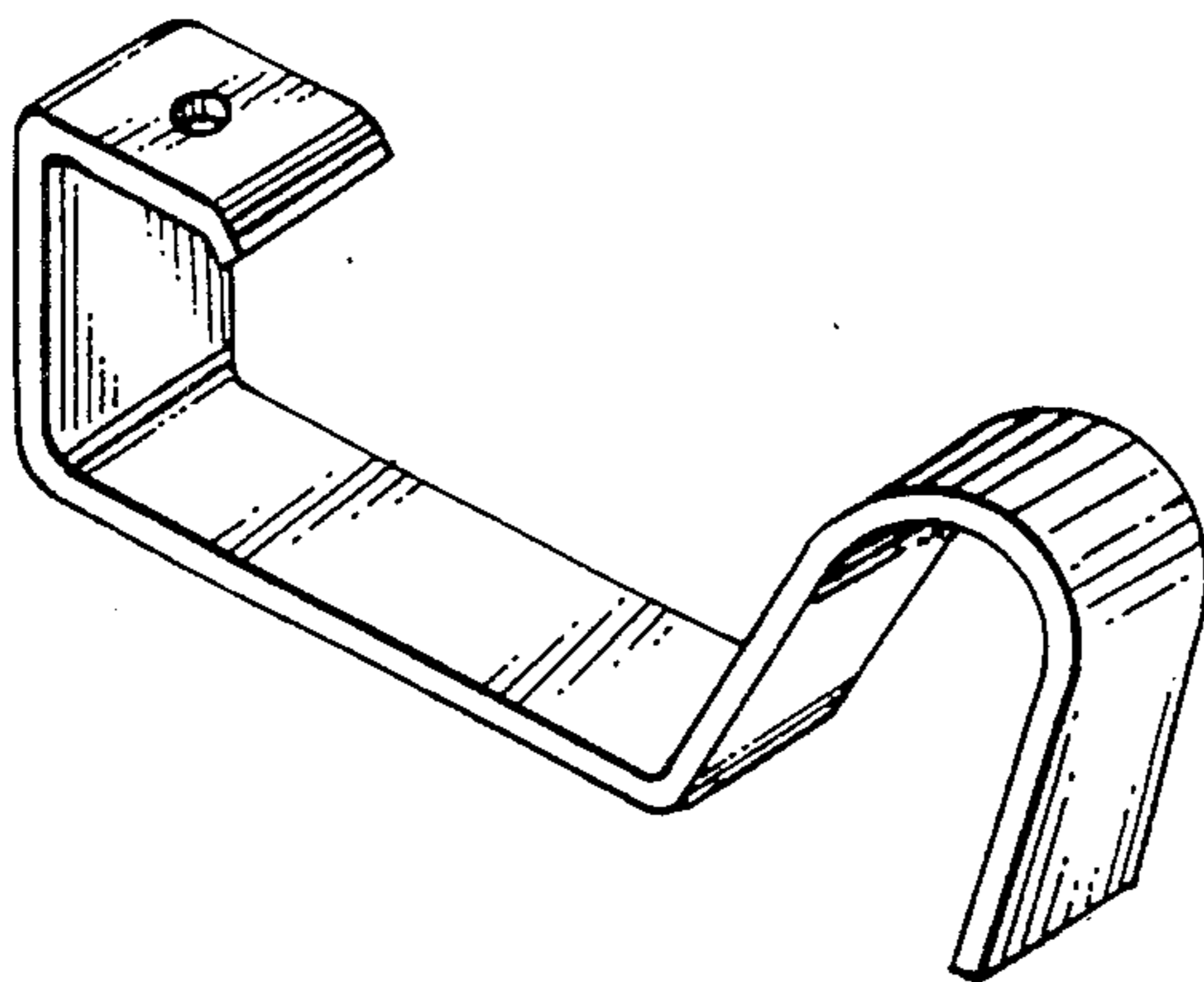


FIG. 6.