

[54] **CIRCUIT BOARD SUPPORT**

[75] Inventor: **Royce W. Hill, Flippin, Ark.**

[73] Assignee: **Micro Plastics, Inc., Flippin, Ark.**

[**] Term: **14 Years**

[21] Appl. No.: **734,154**

[22] Filed: **May 15, 1985**

[52] U.S. Cl. **D8/354; 174/138 D**

[58] Field of Search **D8/354, 349; D13/24,
 D13/99; 174/138 D; 24/305**

[56] **References Cited**

U.S. PATENT DOCUMENTS

D. 278,143	3/1985	Hill	D13/99
D. 278,330	4/1985	Hill	D13/24
2,442,754	6/1948	Beam	174/138 D
2,936,015	5/1960	Rapata	174/138 D
3,029,486	4/1962	Raymond	174/138 D
3,195,266	7/1965	Onanian	174/138 D
3,764,729	10/1973	Kowalewski	174/138 D
3,777,052	12/1973	Fegen	174/138 D
3,811,154	5/1974	Lindemann et al.	24/73 P
3,852,849	12/1974	Pestka	24/73 P
4,200,900	4/1980	McGeorge	174/138 D
4,297,769	11/1981	Coules	174/138 D
4,502,193	3/1985	Harmon et al.	174/138 D
4,627,760	12/1986	Yage et al.	174/138 D

FOREIGN PATENT DOCUMENTS

2024211	1/1972	Fed. Rep. of Germany	24/305
2457228	6/1976	Fed. Rep. of Germany ...	174/138 D
1465708	1/1967	France	24/305
1271400	4/1972	United Kingdom	174/138 D

OTHER PUBLICATIONS

Richco Plastic Co. catalog, at p. 21: Circuit Board Support Part, CBS-3N.
 Illinois Tool Works, ITW Fastex Folder ©1983 "Plastic Rivet®".

Primary Examiner—Wallace R. Burke
Assistant Examiner—Horace B. Fay
Attorney, Agent, or Firm—Stephen D. Carver

[57] **CLAIM**

The ornamental design for a circuit board support, as shown and described.

DESCRIPTION

FIG. 1 is a perspective view of a circuit board support showing my new design;
 FIG. 2 is a side elevational view thereof, the side opposite being a mirror image;
 FIG. 3 is a front elevational view thereof, the rear view being a mirror image;
 FIGS. 4 and 5 are respectively top and bottom plan views thereof;
 FIG. 6 is a sectional view taken along line 6—6 of FIG. 2 in the direction of arrows; and
 FIG. 7 is a sectional view taken along line 7—7 of FIG. 3 in the direction of arrows.

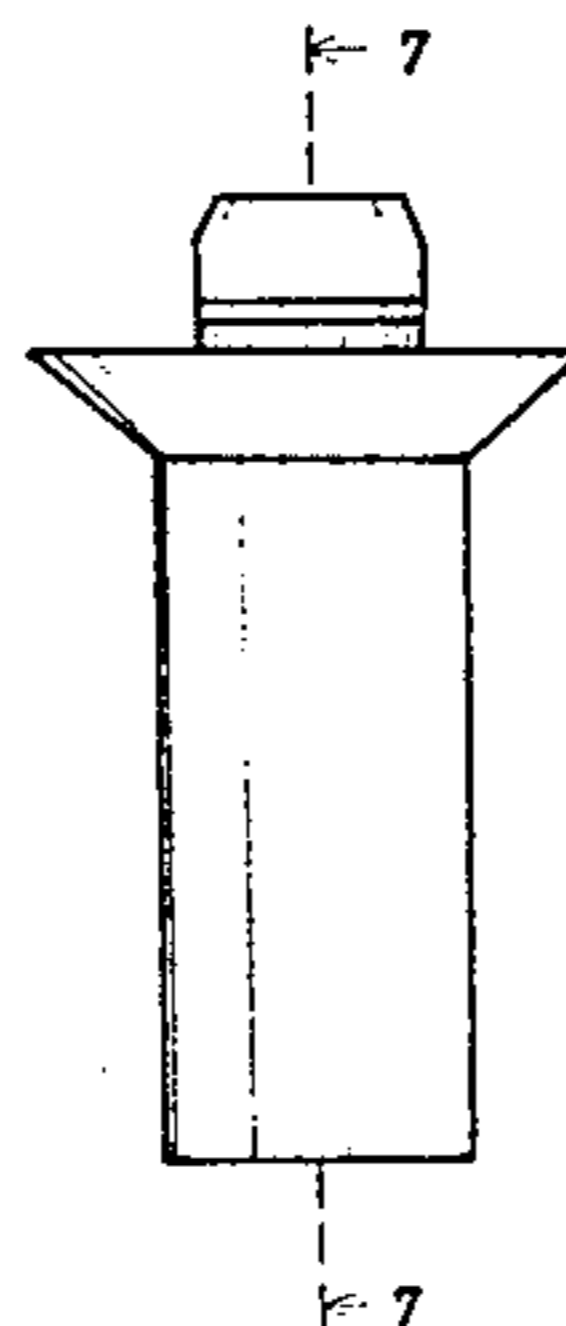
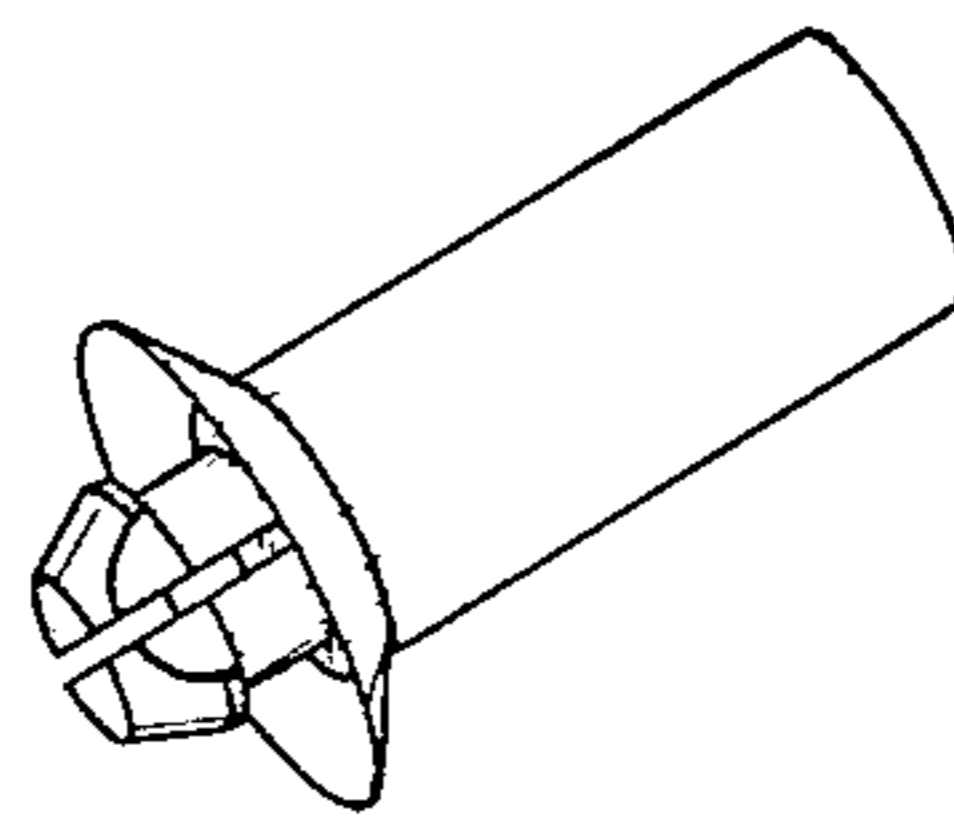


FIG. 1

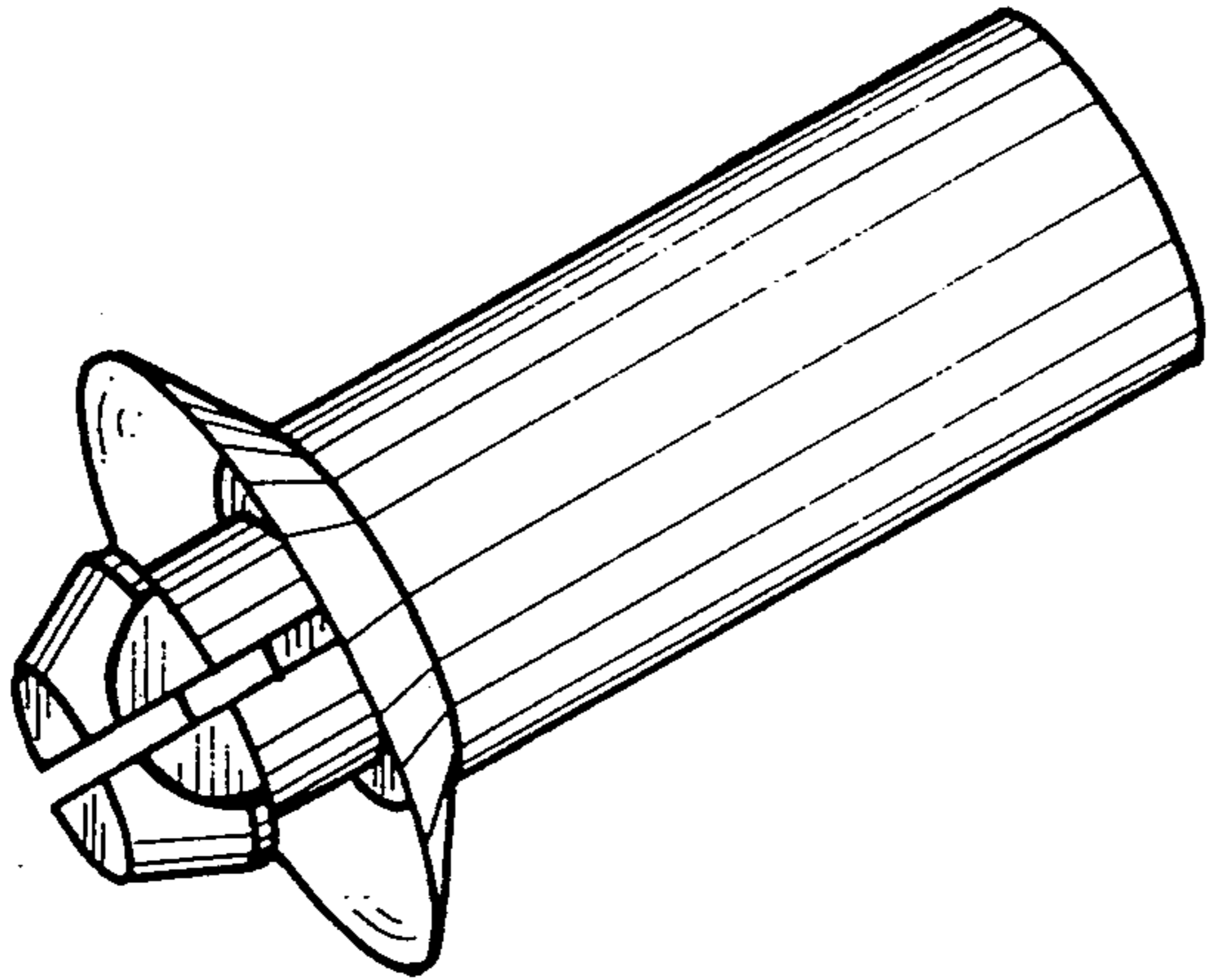


FIG. 2

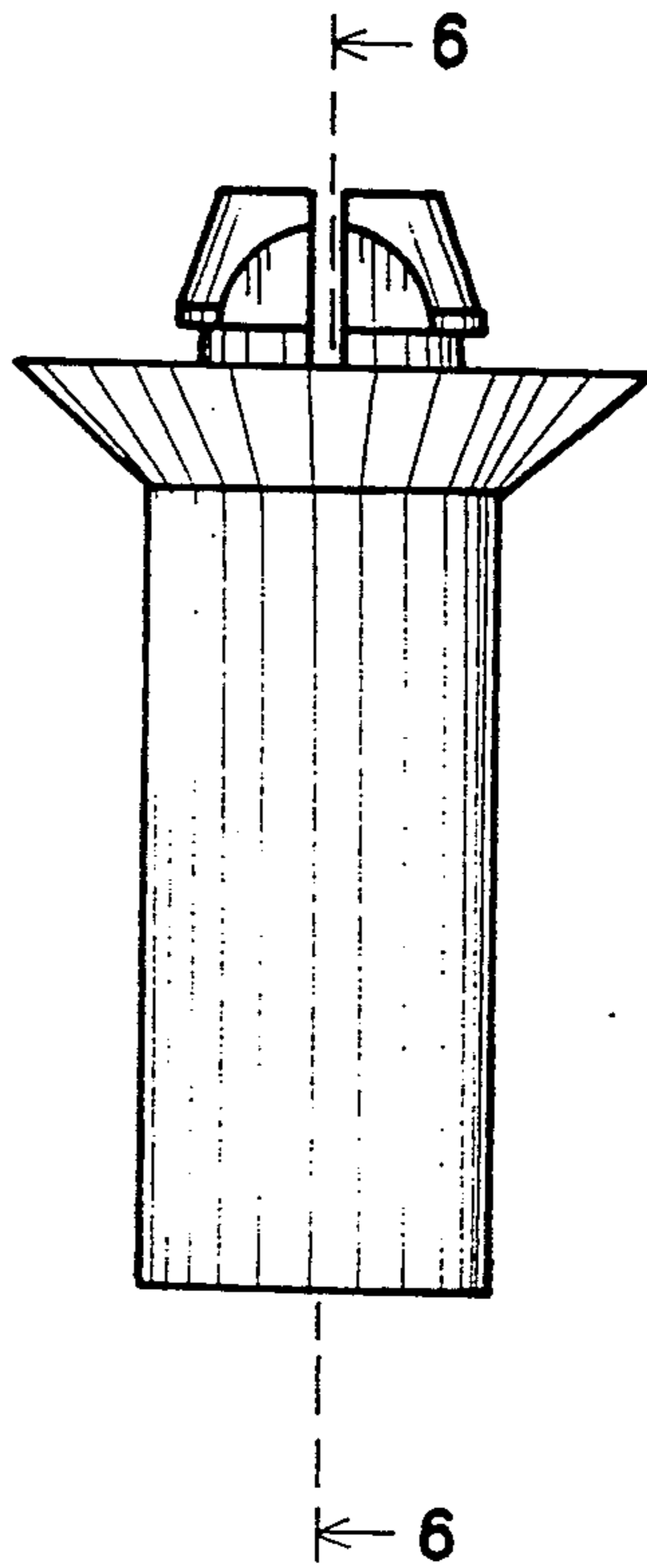


FIG. 3

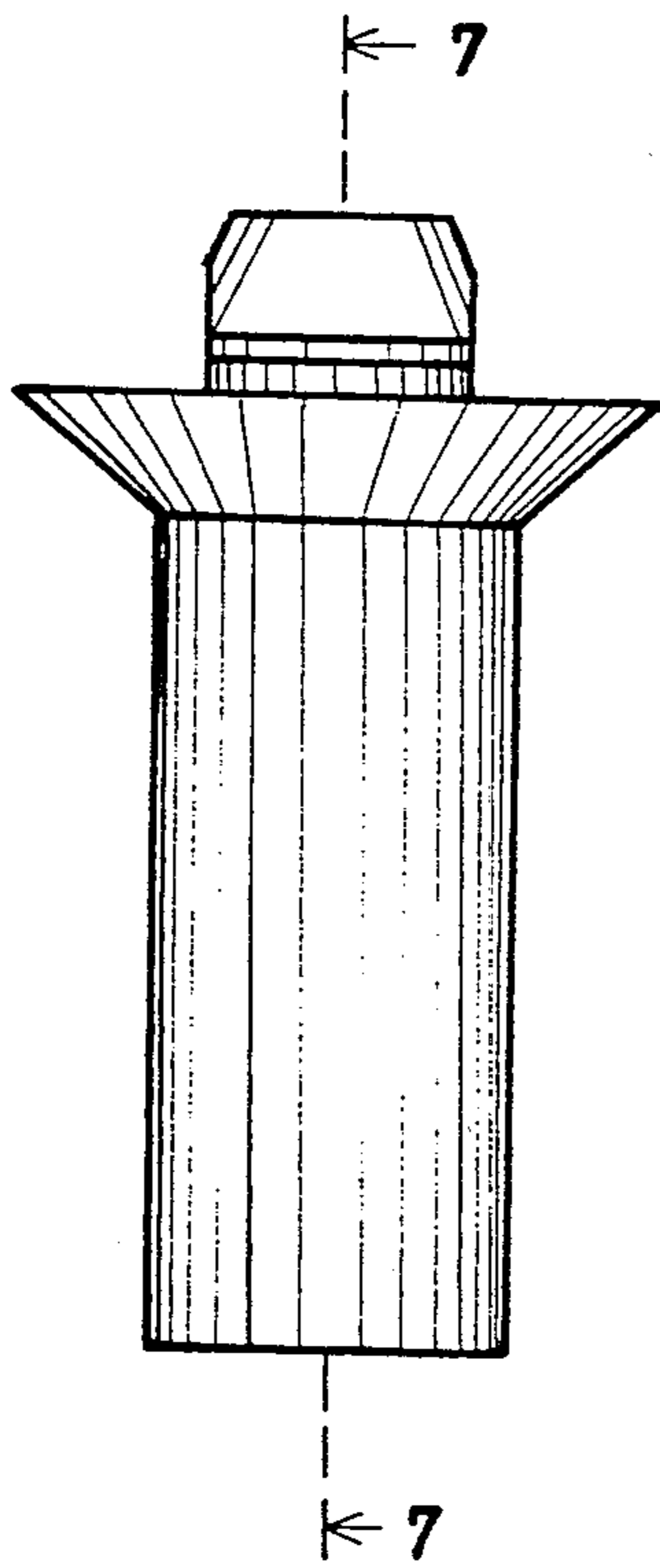


FIG. 4

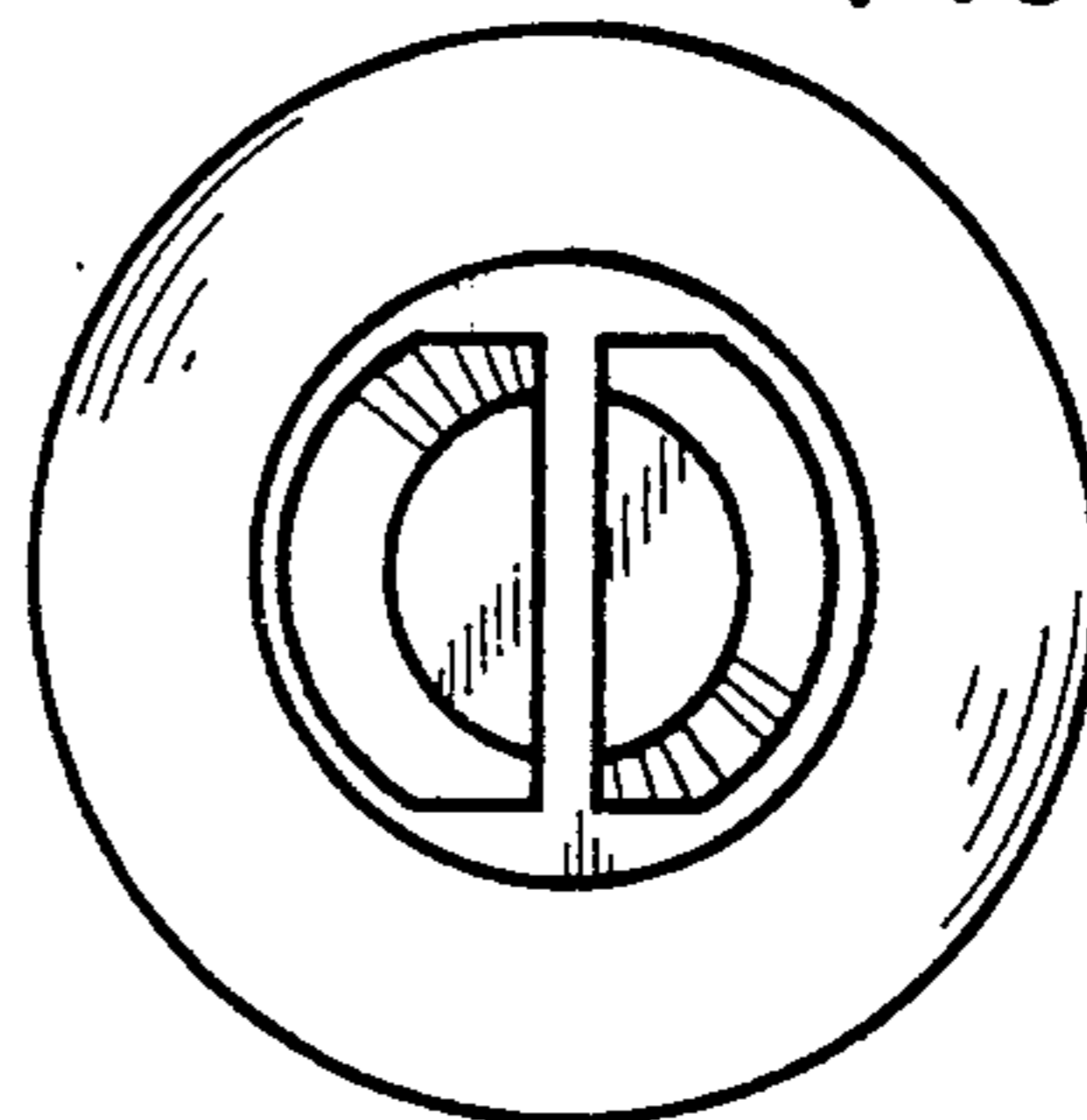


FIG. 5

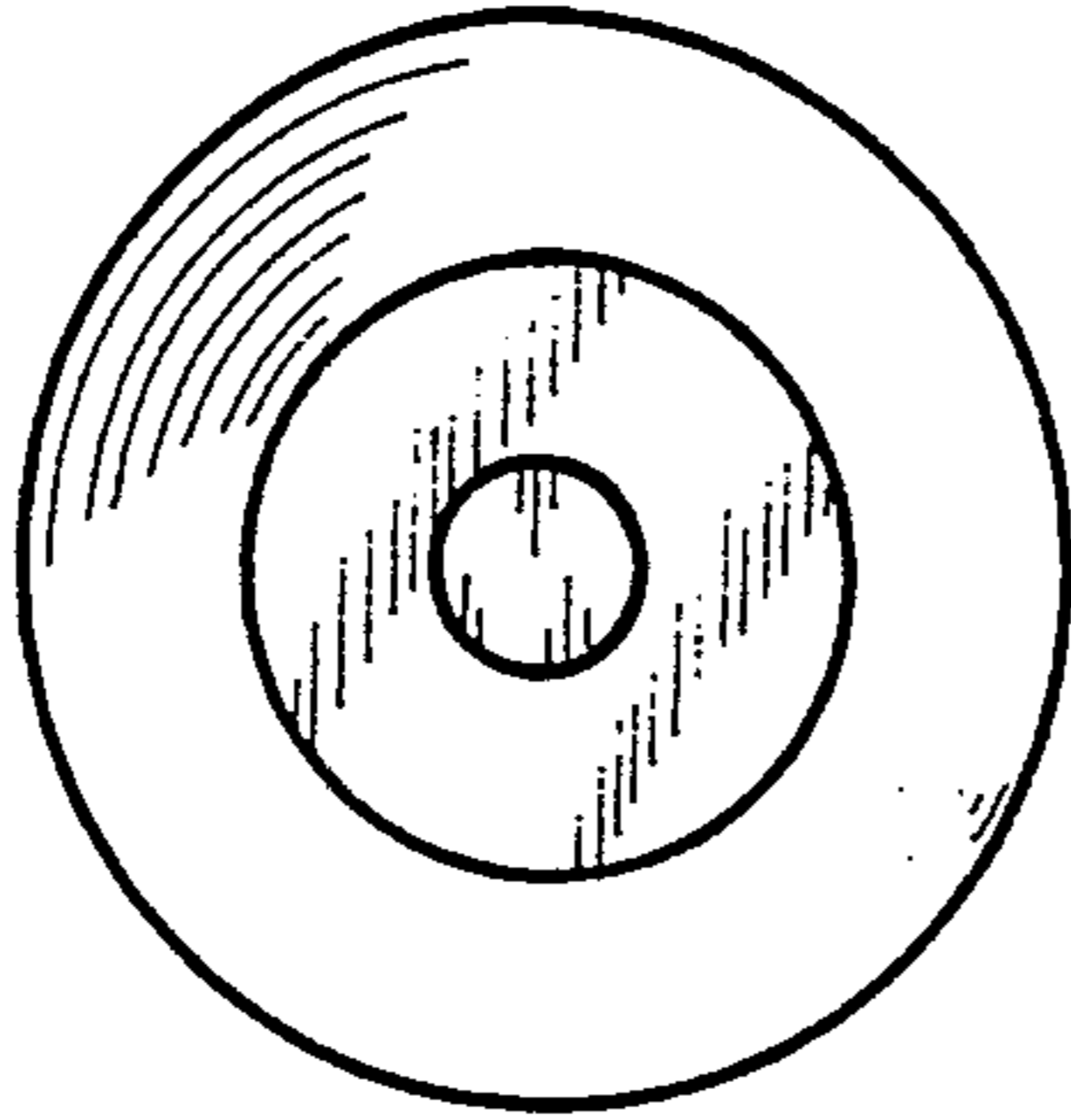


FIG. 6

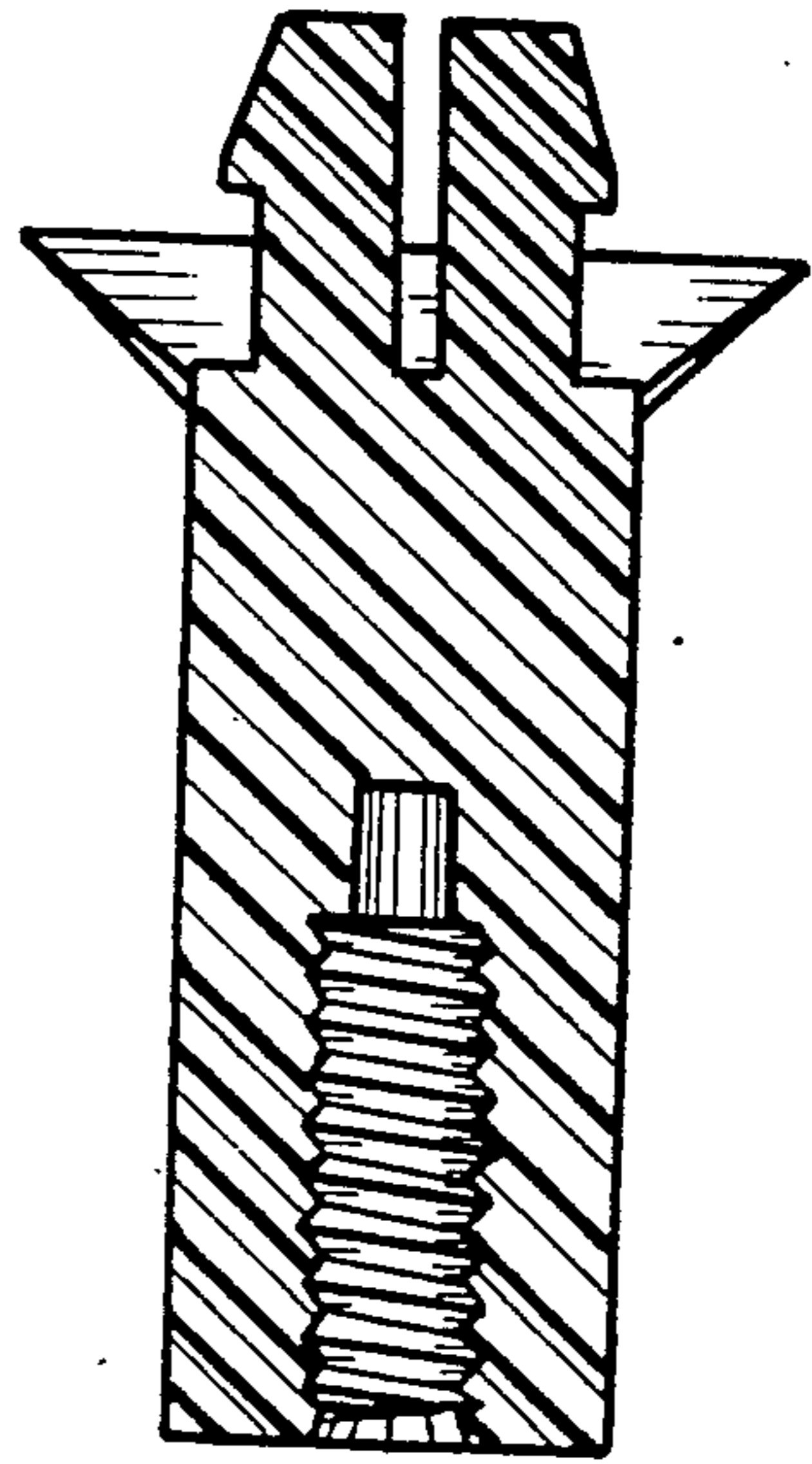


FIG. 7

