

[54] SLIDEABLE, RESILIENT GUIDE BLOCK FOR WINDOWS

[75] Inventor: Einar Strandengen, Oslo, Norway

[73] Assignee: A/S Grorud Jernvarefabrik, Oslo, Norway

[**] Term: 14 Years

[21] Appl. No.: 768,591

[22] Filed: Aug. 23, 1985

[30] Foreign Application Priority Data

Mar. 20, 1985 [NO] Norway 66114

[52] U.S. Cl. D8/349; D8/354

[58] Field of Search D8/354, 349, 395, 363, D8/364, 356, 365; 49/414, 419, 161, 181

[56] References Cited

U.S. PATENT DOCUMENTS

D. 265,381	7/1982	Borja	D8/356
D. 271,467	11/1983	Sakayuchi	D8/395
2,500,849	3/1950	Menns	49/181
3,184,784	5/1965	Peters	49/181
3,195,174	7/1965	Nobes	49/181
3,267,612	8/1966	Horvat et al.	49/414

3,434,237	3/1969	Love	49/181
3,464,157	9/1969	Rodriguez	49/161
3,482,354	12/1969	Trout	49/181
4,364,199	12/1982	Johnson et al.	49/181
4,624,073	11/1986	Randall	49/161

FOREIGN PATENT DOCUMENTS

670901	9/1963	Canada	49/181
2530975	1/1977	Fed. Rep. of Germany	49/161

Primary Examiner—Wallace R. Burke
Assistant Examiner—Horace B. Fay
Attorney, Agent, or Firm—Pollock, Vande Sande and Priddy

[57] CLAIM

The ornamental design for a slideable, resilient guide block for windows, as shown and described.

DESCRIPTION

FIG. 1 is a left side, top and front perspective view of a slideable, resilient guide block for windows showing my new design;
FIG. 2 is a rear elevational view thereof, the front view being a mirror image;
FIG. 3 is a left side elevational view thereof, the right side view being a mirror image; and
FIG. 4 is a bottom plan view thereof.

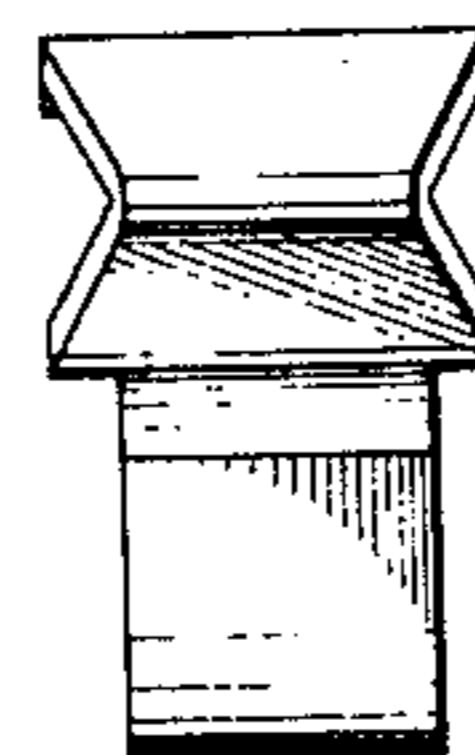
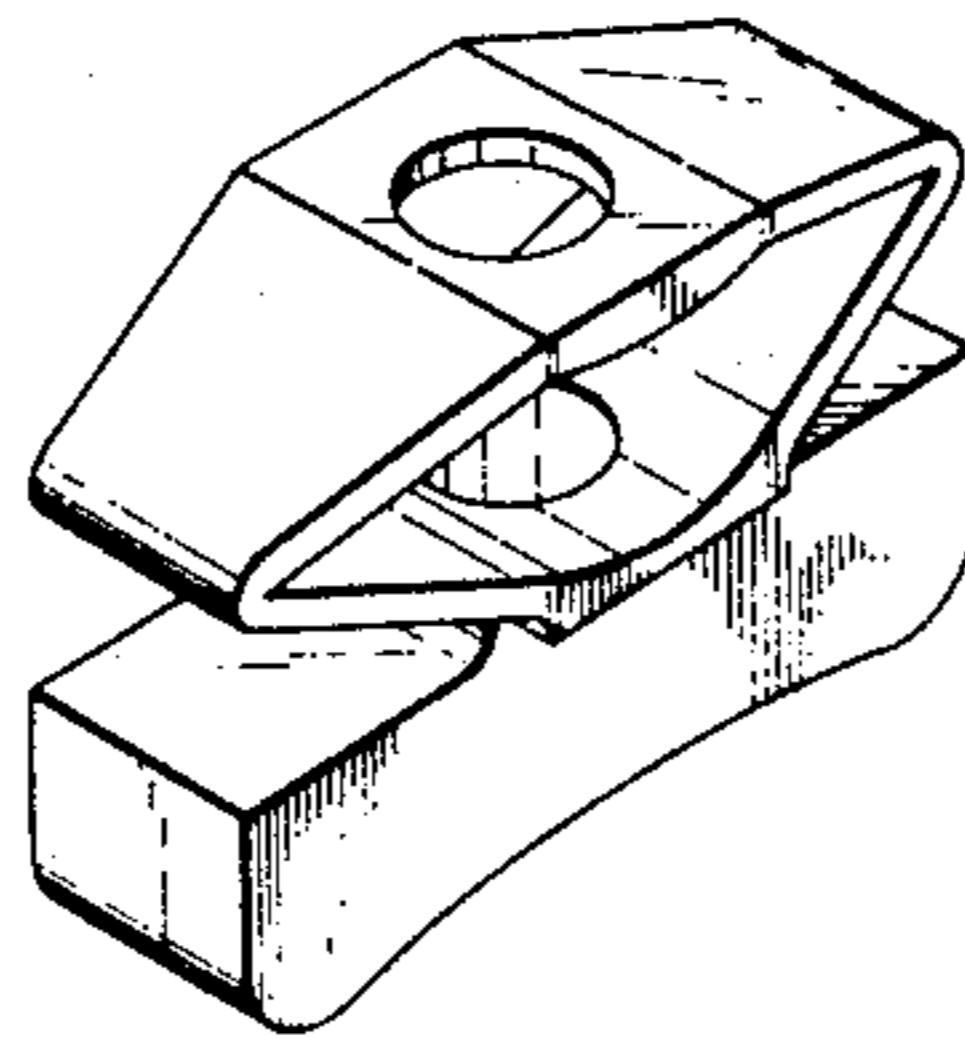


Fig. 1.

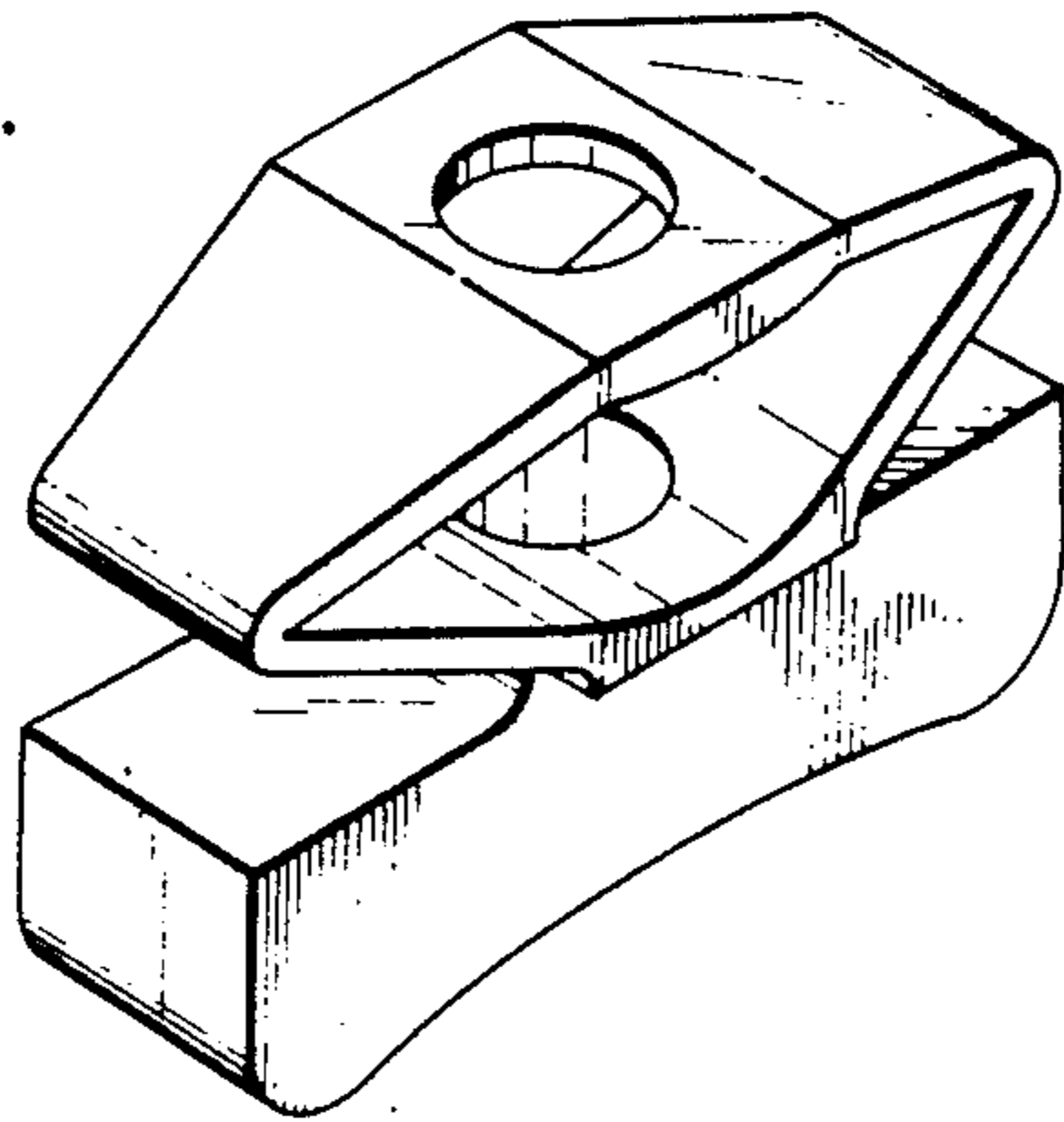


Fig. 2.

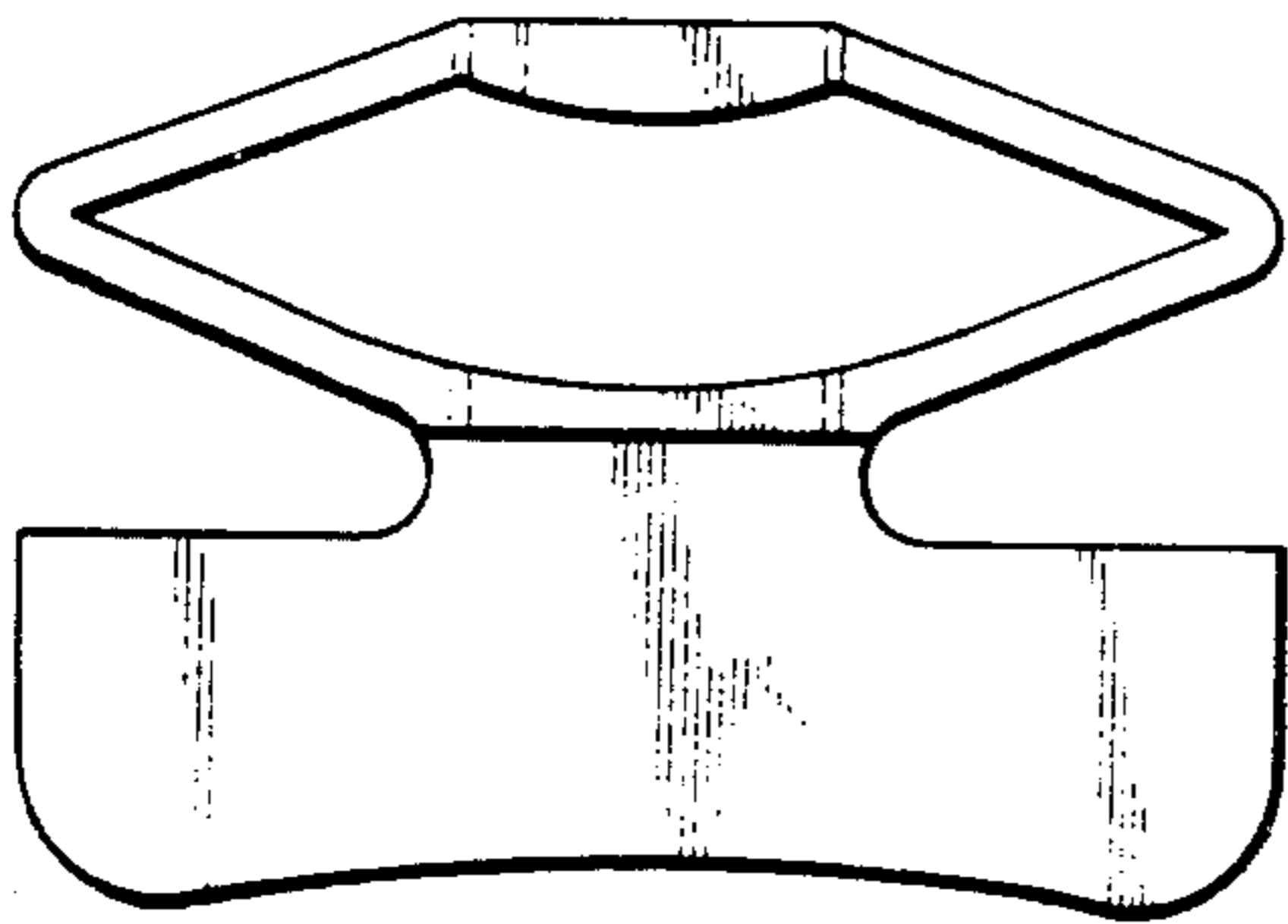


Fig. 3.

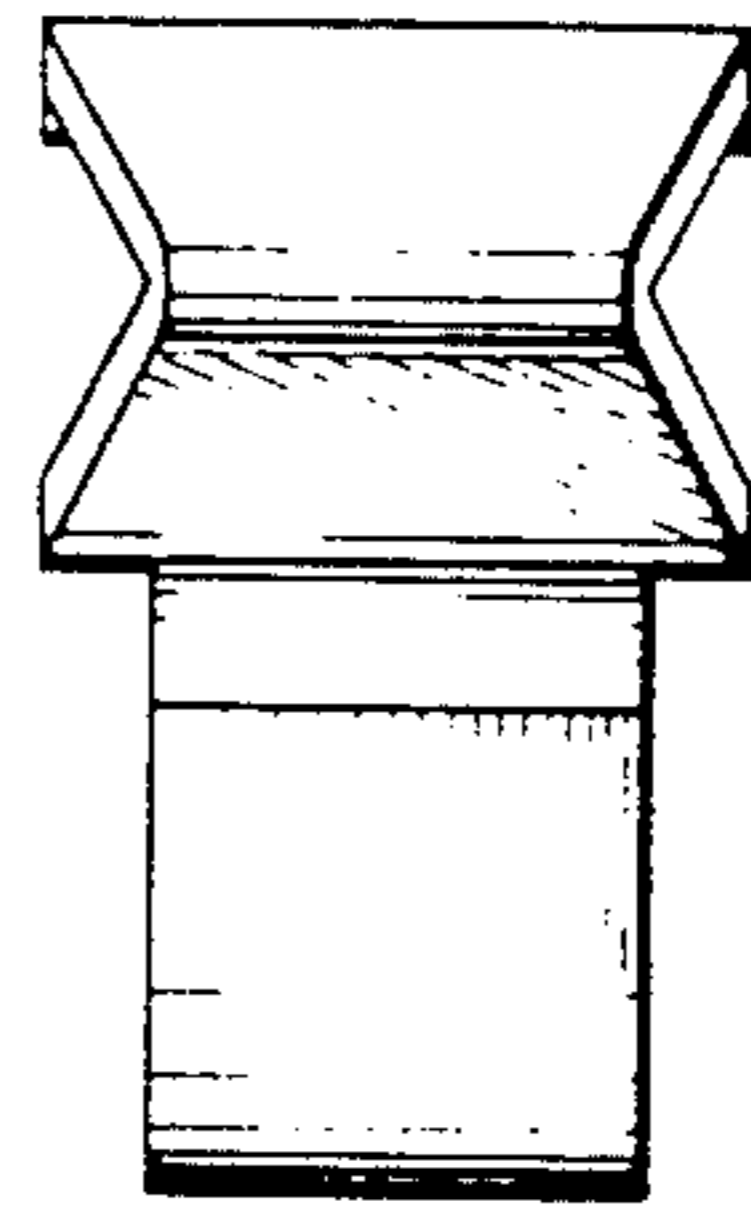


Fig. 4.

