

[54] SOLDERING STATION

[75] Inventor: David A. Pagani, Newport Beach, Calif.

[73] Assignee: Eldon Industries, Inc., Inglewood, Calif.

[**] Term: 14 Years

[21] Appl. No.: 683,019

[22] Filed: Dec. 18, 1984

[52] U.S. Cl. D8/30

[58] Field of Search D8/14, 30; 219/240, 219/241, 242; 228/51

[56] References Cited

U.S. PATENT DOCUMENTS

D. 239,431	4/1976	Spencer	D8/30
D. 272,309	1/1984	Walser	D8/30
3,990,622	11/1976	Schurman, Jr.	219/242
3,990,623	11/1976	Fortune	219/242

4,176,778	12/1979	Fortune	219/242
4,418,268	11/1983	Munshaw	219/240

OTHER PUBLICATIONS

Ungar Catalog; p. 3, Temperature Controlled Soldering Station, (upper half of page).

Primary Examiner—B. J. Bullock
Attorney, Agent, or Firm—Edward D. O'Brian

[57] CLAIM

The ornamental design for a soldering station, substantially as shown and described.

DESCRIPTION

FIG. 1 is an isometric view showing the front, the top and the right side of a soldering station embodying my new design;

FIG. 2 is a side elevational view showing the left side thereof;

FIG. 3 is a rear elevational view thereof; and

FIG. 4 is a bottom plan view thereof.

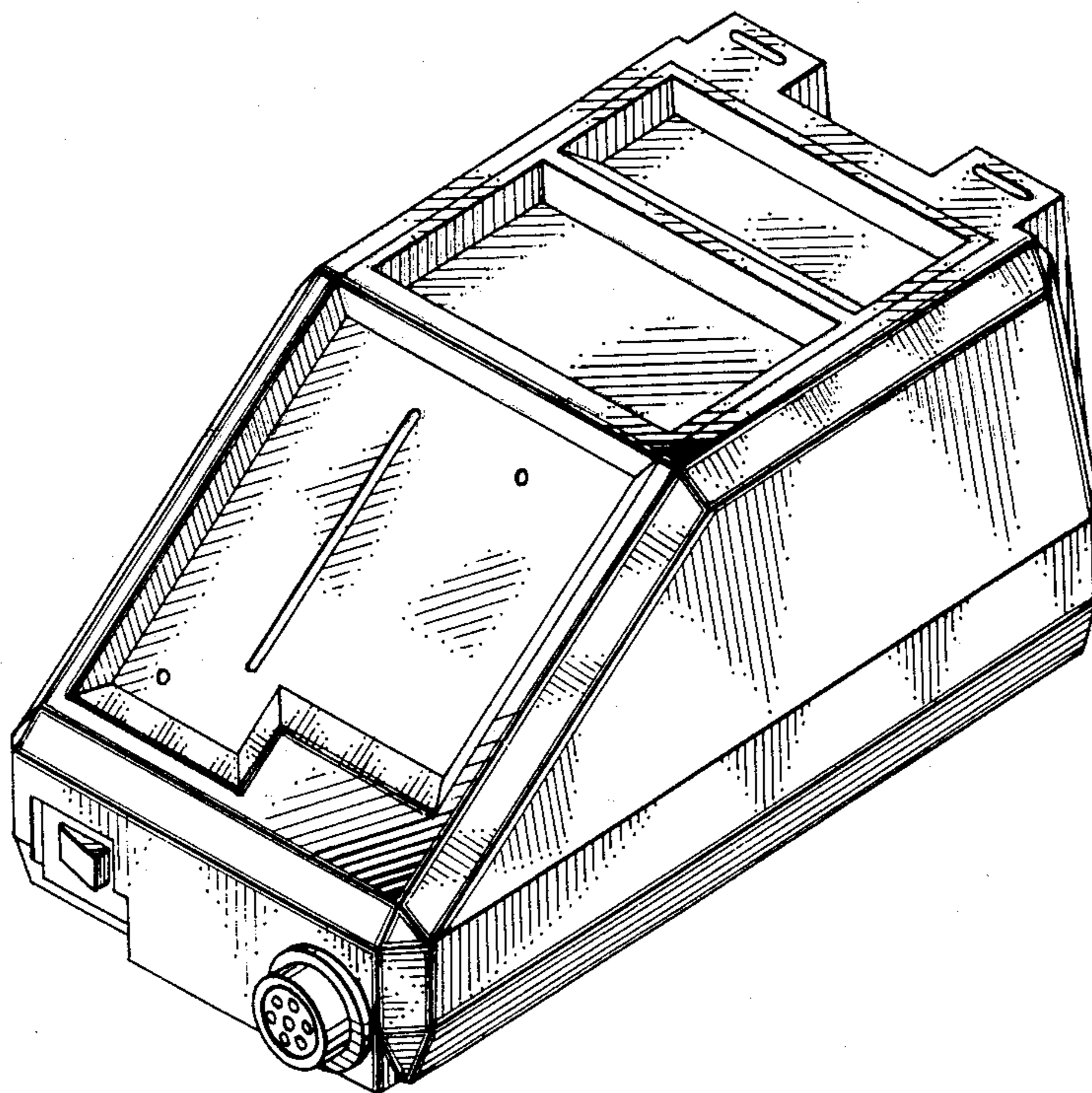


FIG. 1.

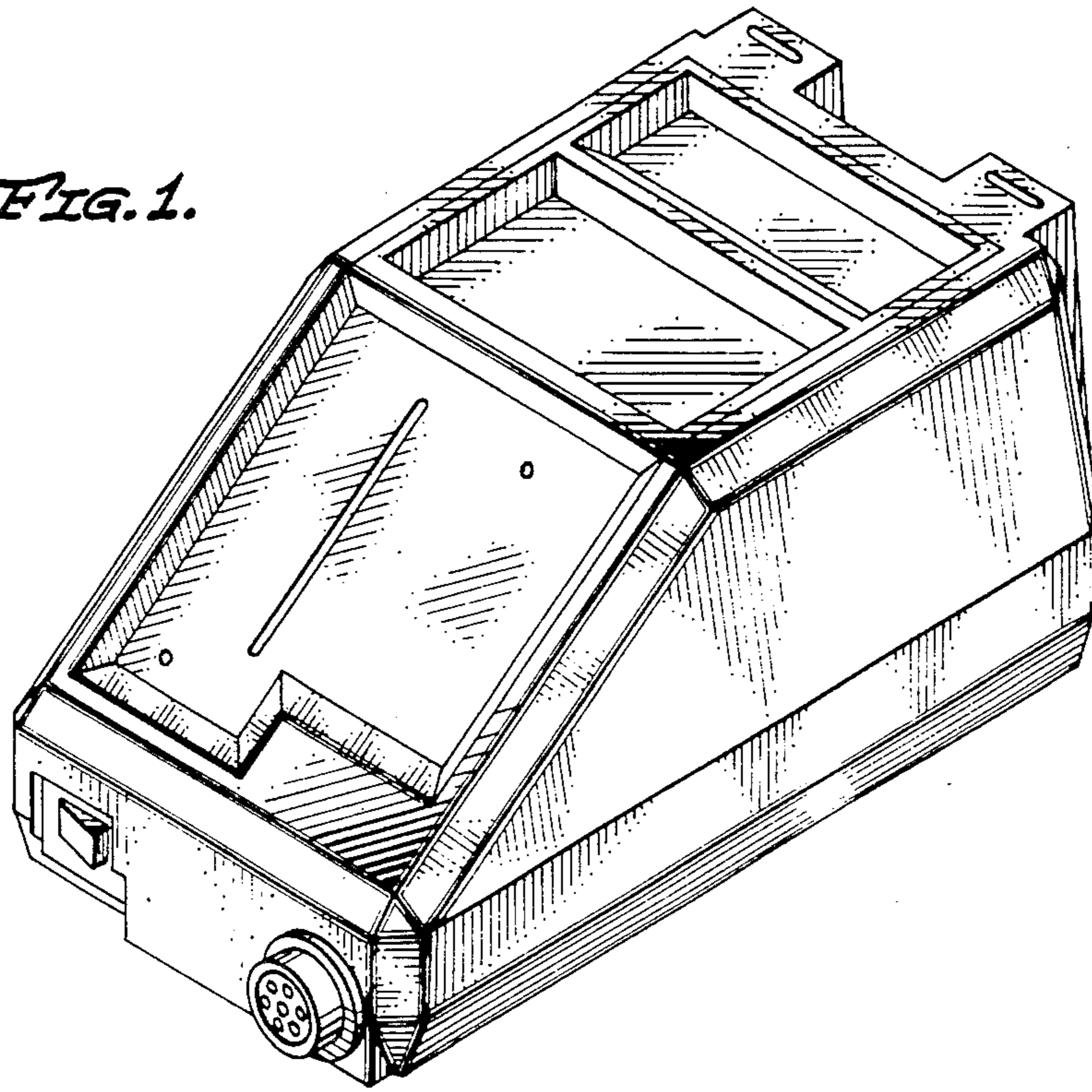


FIG. 2.

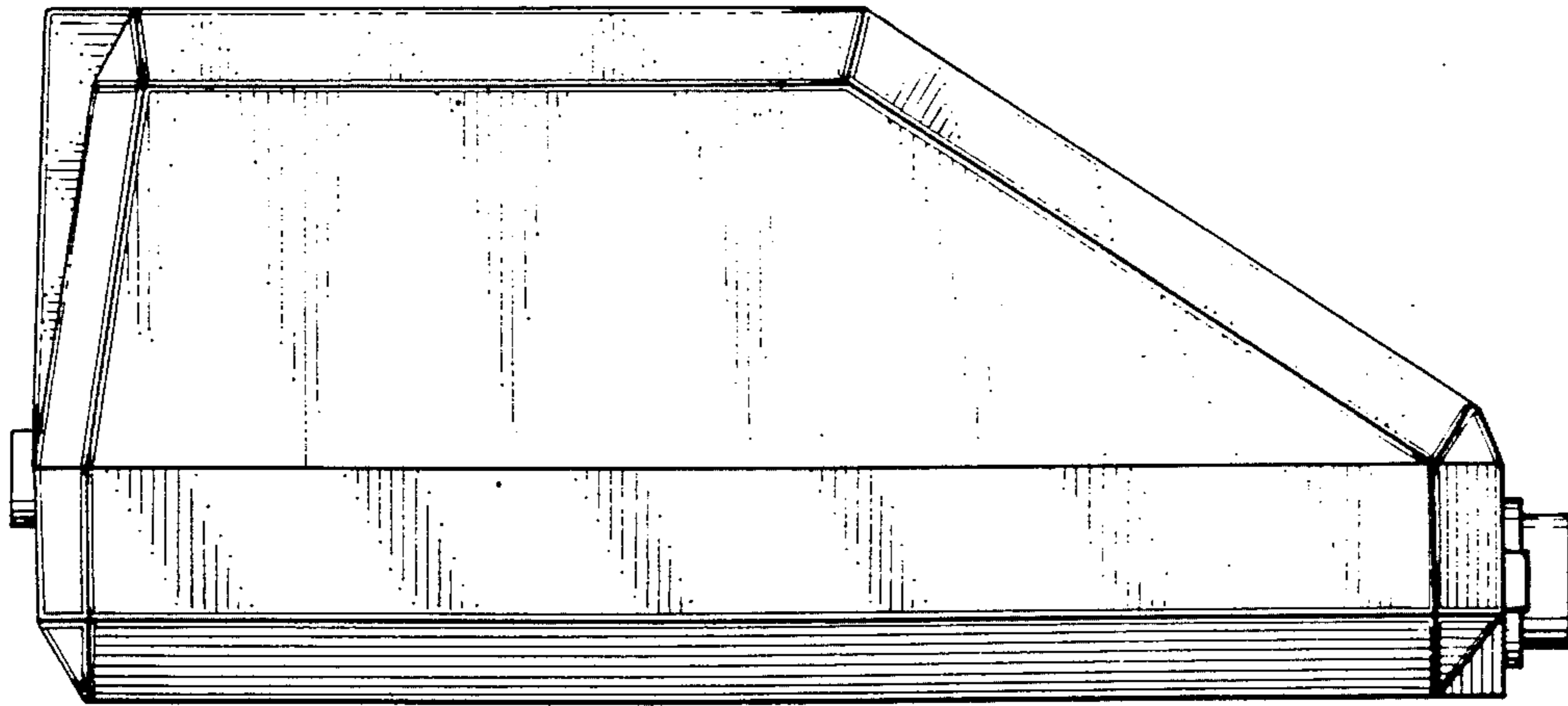


FIG. 3.

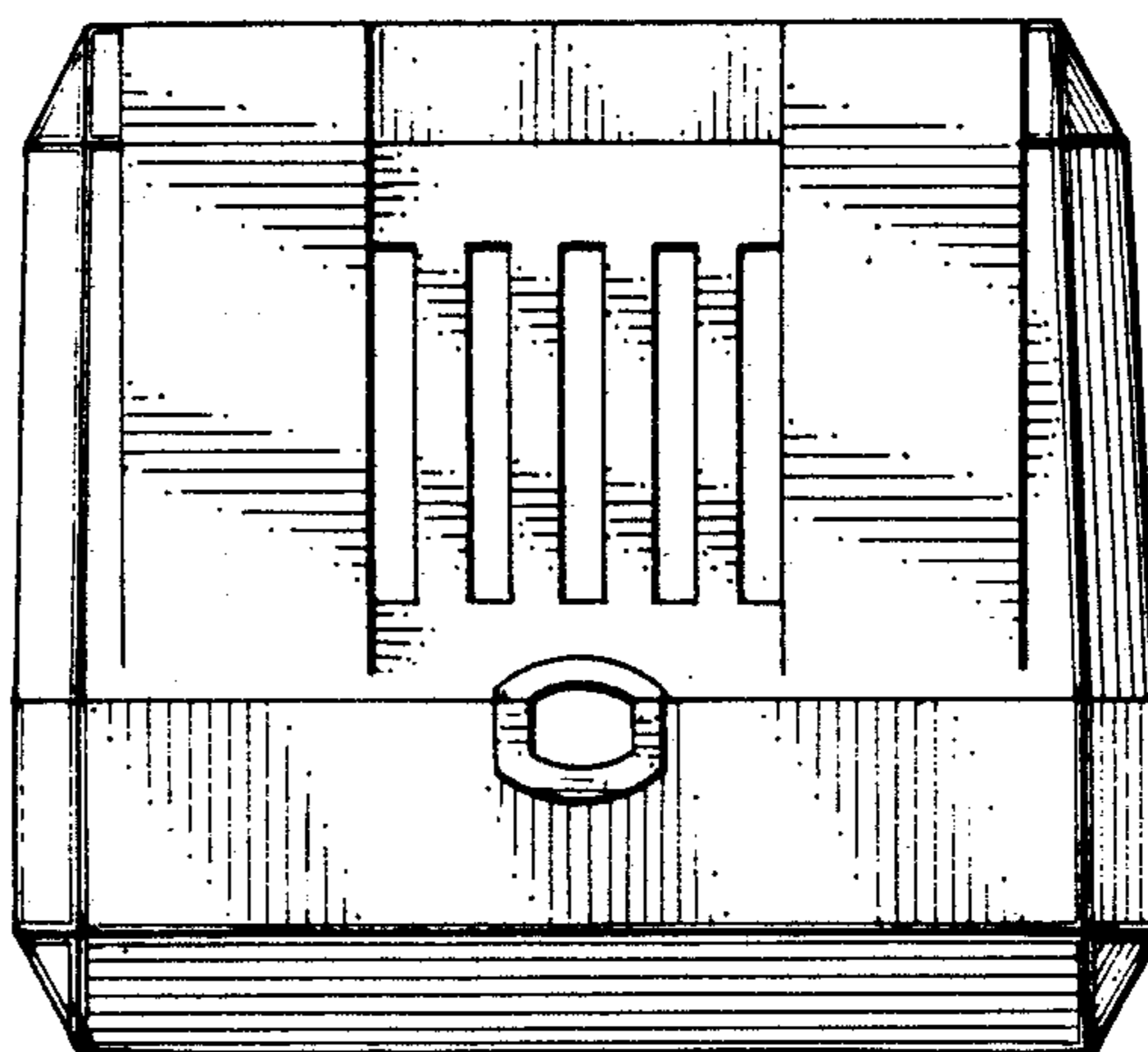


FIG. 4.

