

[54] SHANK FOR A GARDEN SHEAR

[75] Inventors: Alan K. Pittaway, High Wycombe, England; Christopher R. B. Harrison, Mid-Glamorgan, Wales

[73] Assignee: Wilkinson Sword Limited, High Wycombe, England

[**] Term: 14 Years

[21] Appl. No.: 675,490

[22] Filed: Nov. 28, 1984

[52] U.S. Cl. D8/5

[58] Field of Search D8/1, 4-5, D8/7-8; 56/241-242; 30/194, 208, 244, 248, 250-252, 257, 261

[56] References Cited

U.S. PATENT DOCUMENTS

D. 206,077	10/1966	Rogers	D8/5
D. 226,514	3/1973	Rogers	D8/5
634,946	10/1899	Kieser	30/257
1,841,121	1/1932	Hidde	D8/5 X

FOREIGN PATENT DOCUMENTS

692663	6/1953	United Kingdom	30/257
989289	4/1965	United Kingdom	30/248

OTHER PUBLICATIONS

Wilkinson Sword 1982 Garden Tool Catalogue.

Primary Examiner—Wallace R. Burke

Assistant Examiner—Brian N. Vinson

Attorney, Agent, or Firm—John K. Williamson

[57] CLAIM

The ornamental design for shank for a garden shear, as shown and described.

DESCRIPTION

FIG. 1 is a right side elevational view of a shank for a garden shear showing our new design;

FIG. 2 is a bottom plan view thereof;

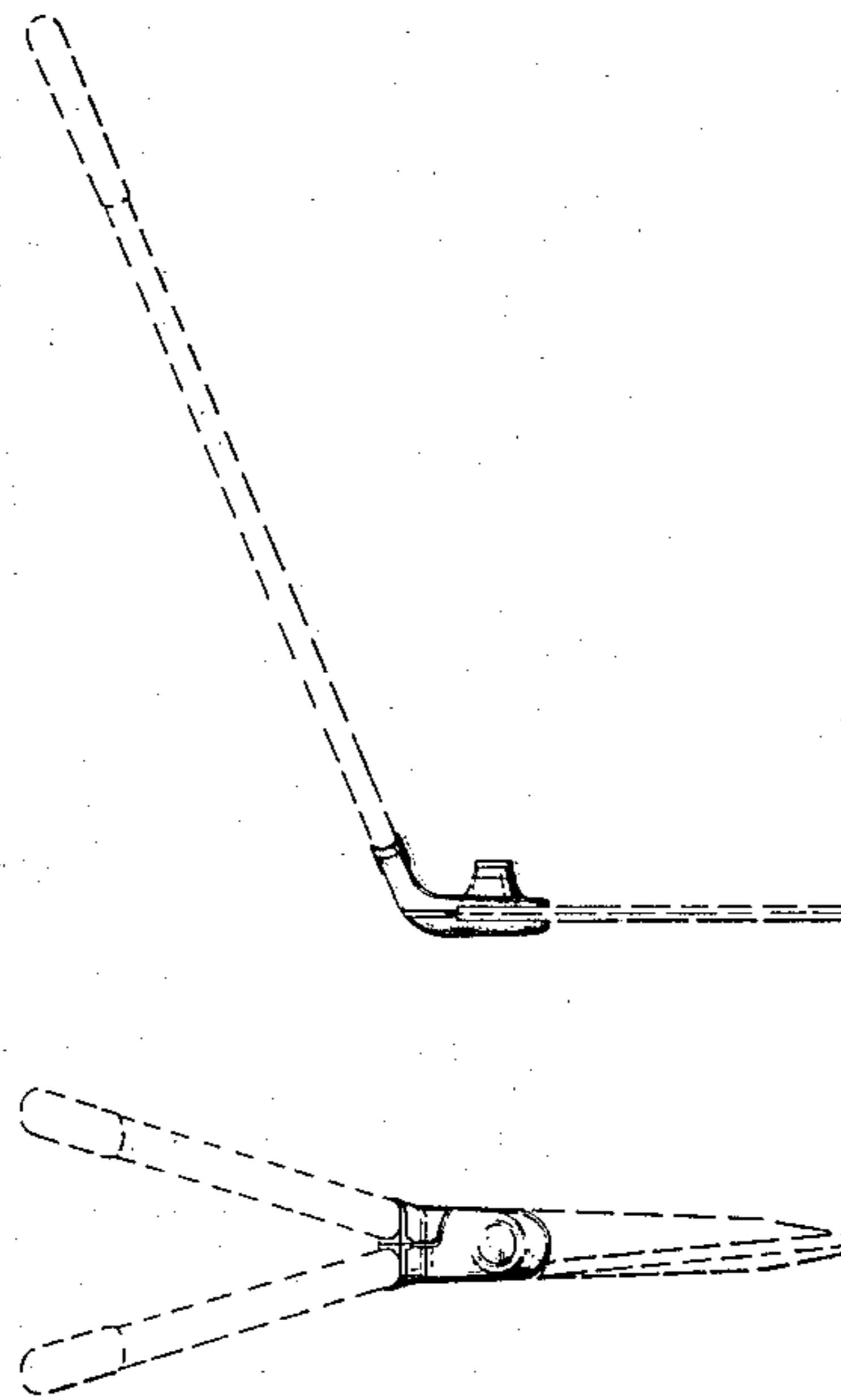
FIG. 3 is a left side elevational view thereof;

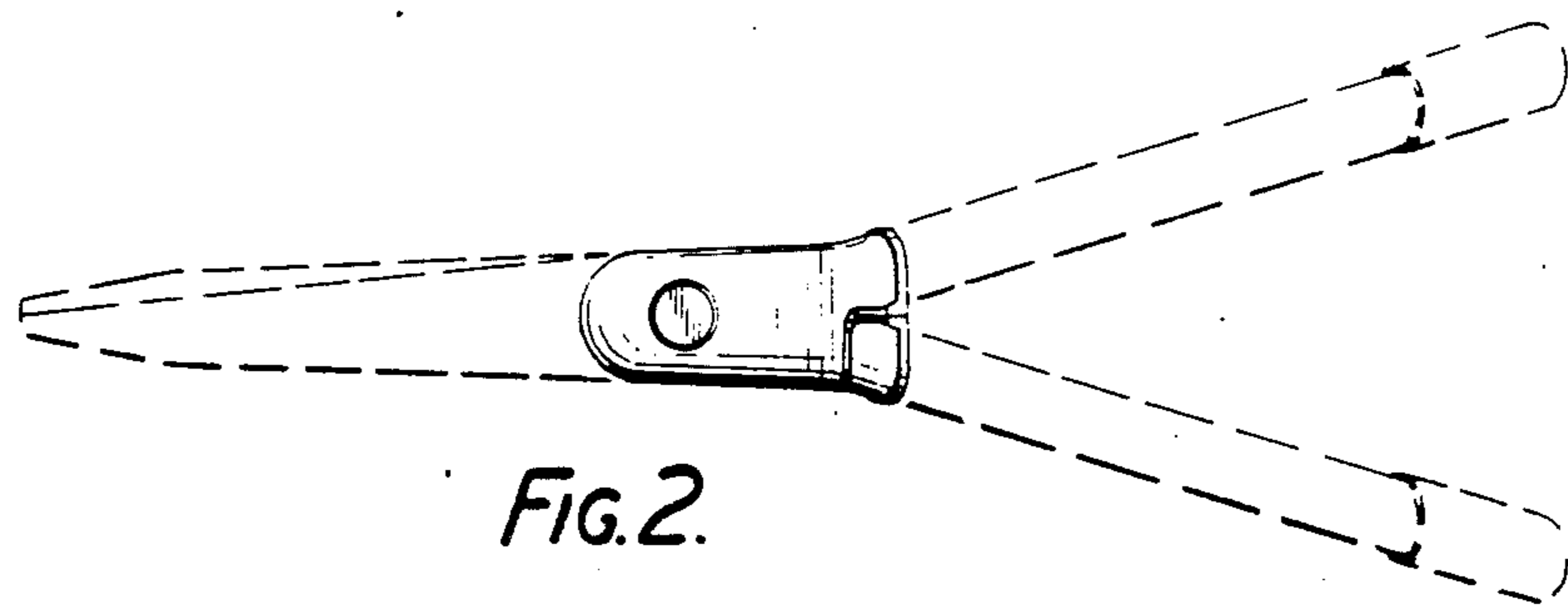
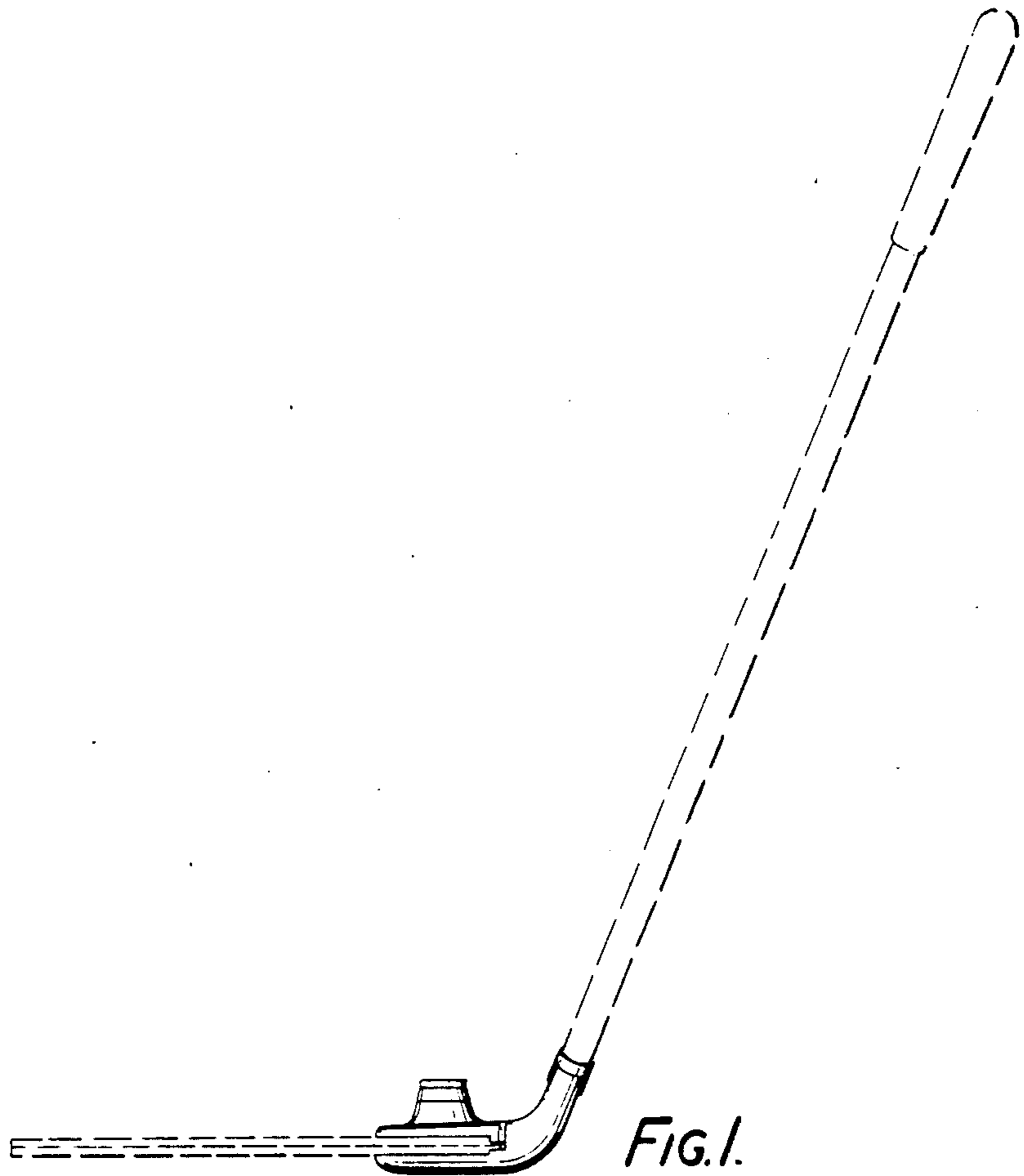
FIG. 4 is a top plan view thereof;

FIG. 5 is a front elevational view thereof; and

FIG. 6 is a rear elevational view thereof.

The broken line showing of the blade and handle elements is for illustrative purposes only and forms no part of the claimed design.





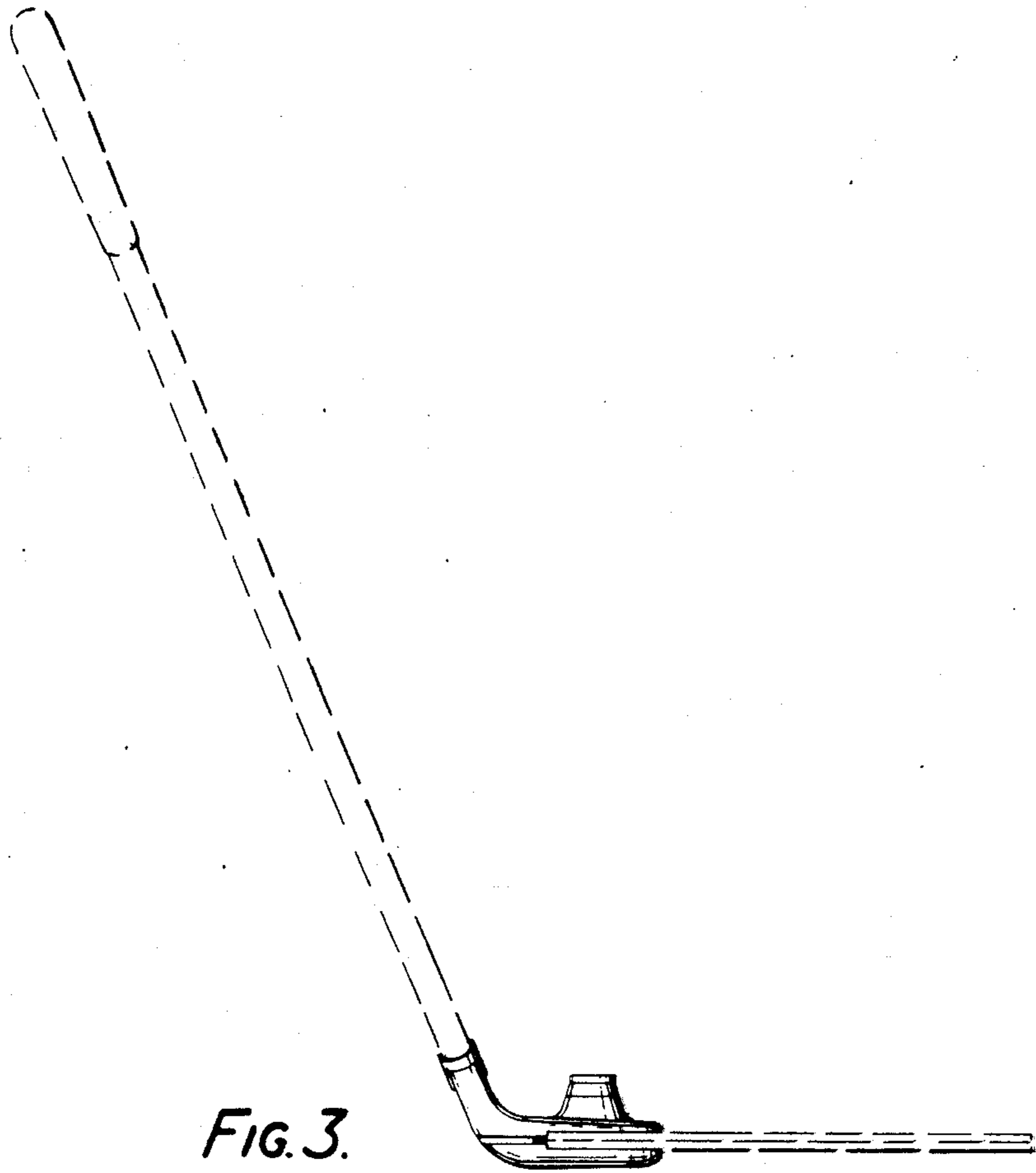


FIG. 3.

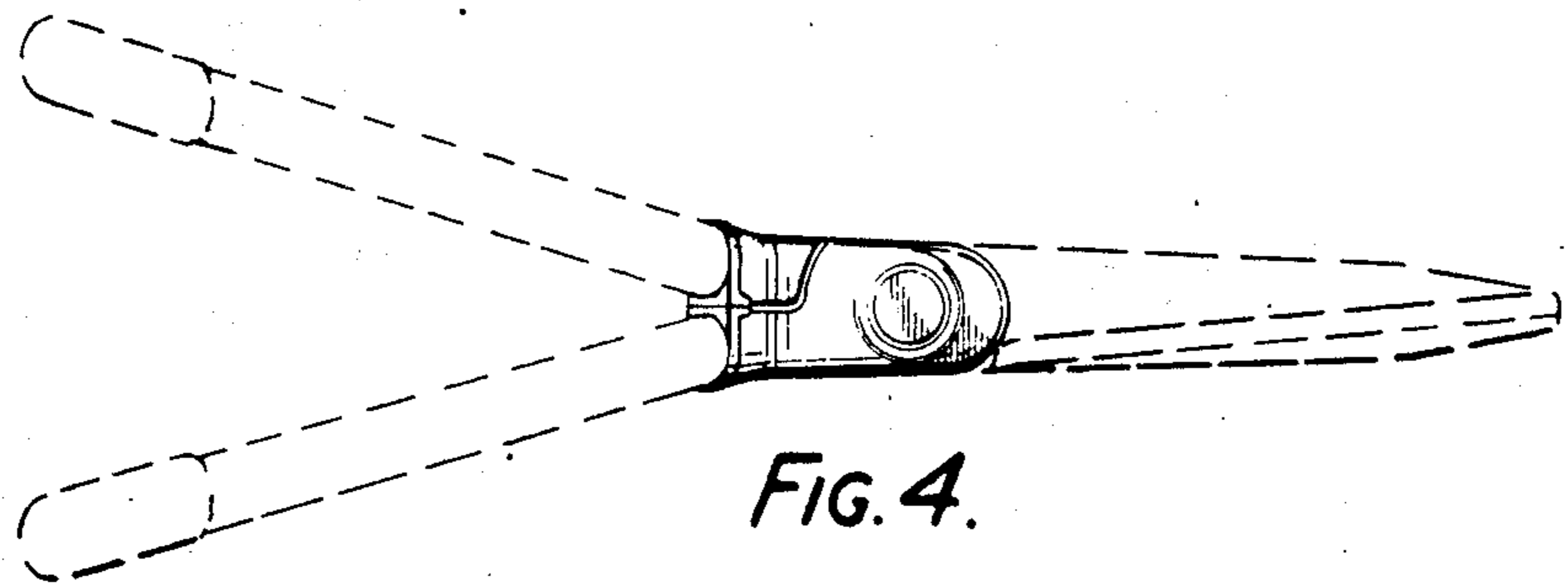


FIG. 4.

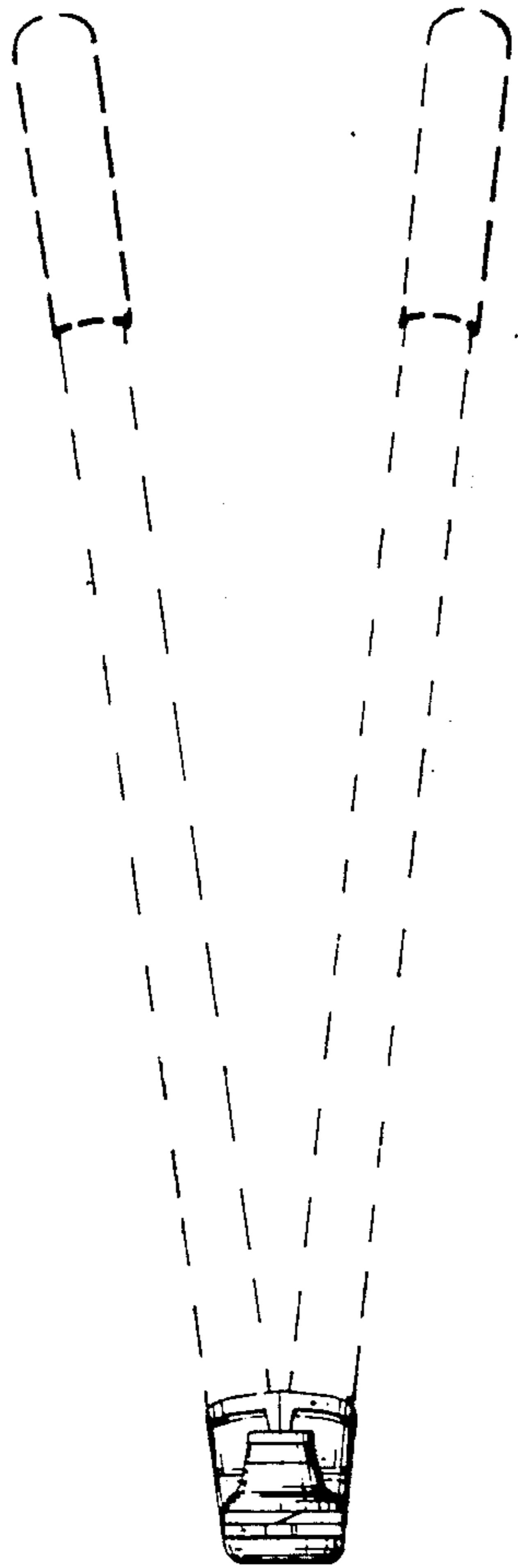


FIG. 5.

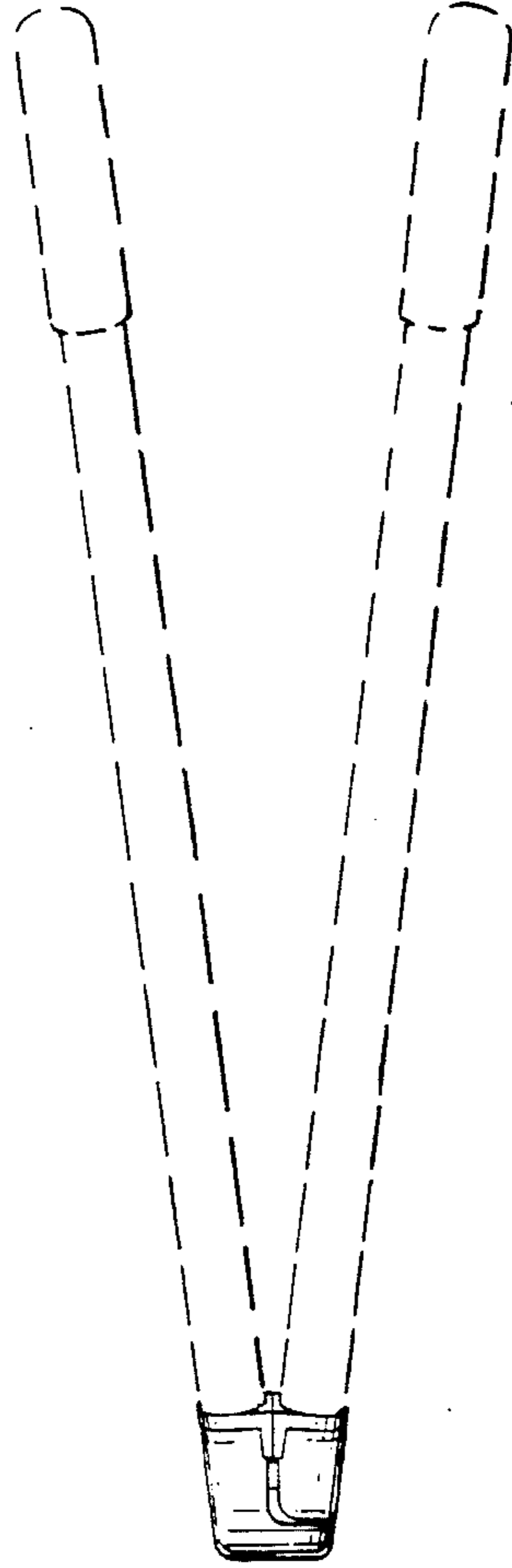


FIG. 6.