

[54] **ICE CREAM SANDWICH MAKER OR THE LIKE**

[75] **Inventors: John V. Zaruba, Chicago, Ill.; Rino Conti, Stoughton, Mass.; Howard J. Morrison, Deerfield, Ill.**

[73] **Assignee: Marvin Glass & Associates, Chicago, Ill.**

[\*\*] **Term: 14 Years**

[21] **Appl. No.: 697,327**

[22] **Filed: Feb. 1, 1985**

[52] **U.S. Cl. .... D7/43**

[58] **Field of Search ..... D7/43, 44; D9/352, 355, D9/424; 249/117; 229/905; 150/55; 425/276**

[56] **References Cited**

**U.S. PATENT DOCUMENTS**

2,765,831 10/1956 Tupper ..... 150/55  
3,526,334 9/1970 Ashton et al. .... 150/55 X

*Primary Examiner*—Bernard Ansher  
*Assistant Examiner*—Terry Pfeffer  
*Attorney, Agent, or Firm*—John S. Pacocha

[57] **CLAIM**

The ornamental design for an ice cream sandwich maker or the like, as shown.

**DESCRIPTION**

FIG. 1 is a perspective view of an ice cream sandwich maker or the like showing our new design; FIG. 2 is an enlarged side elevational view thereof; FIG. 3 is an enlarged top plan view thereof; FIG. 4 is an enlarged bottom plan view thereof; and FIG. 5 is an enlarged, partial sectional view taken generally along the line 5—5 of FIG. 3.

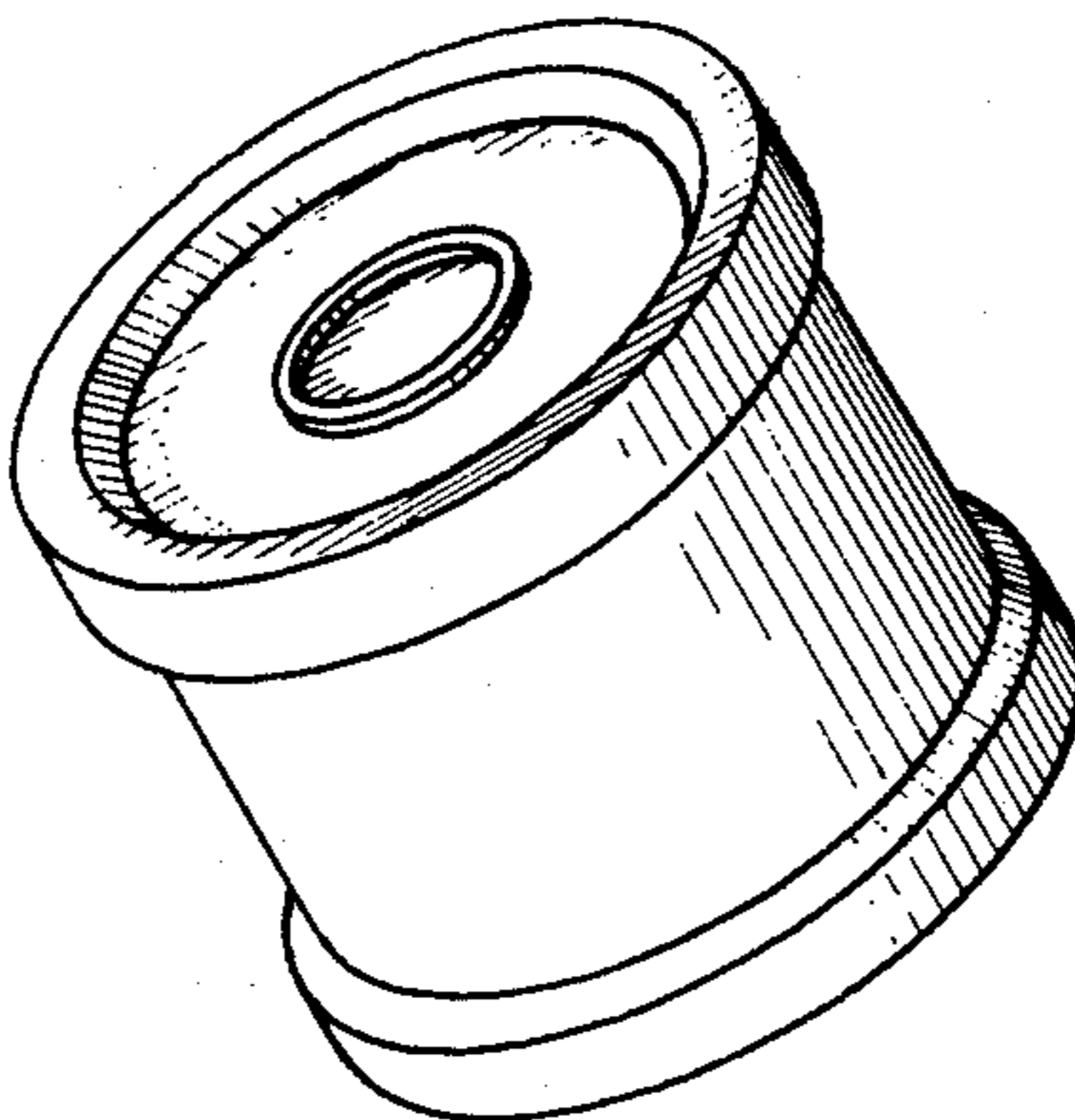


Fig 1

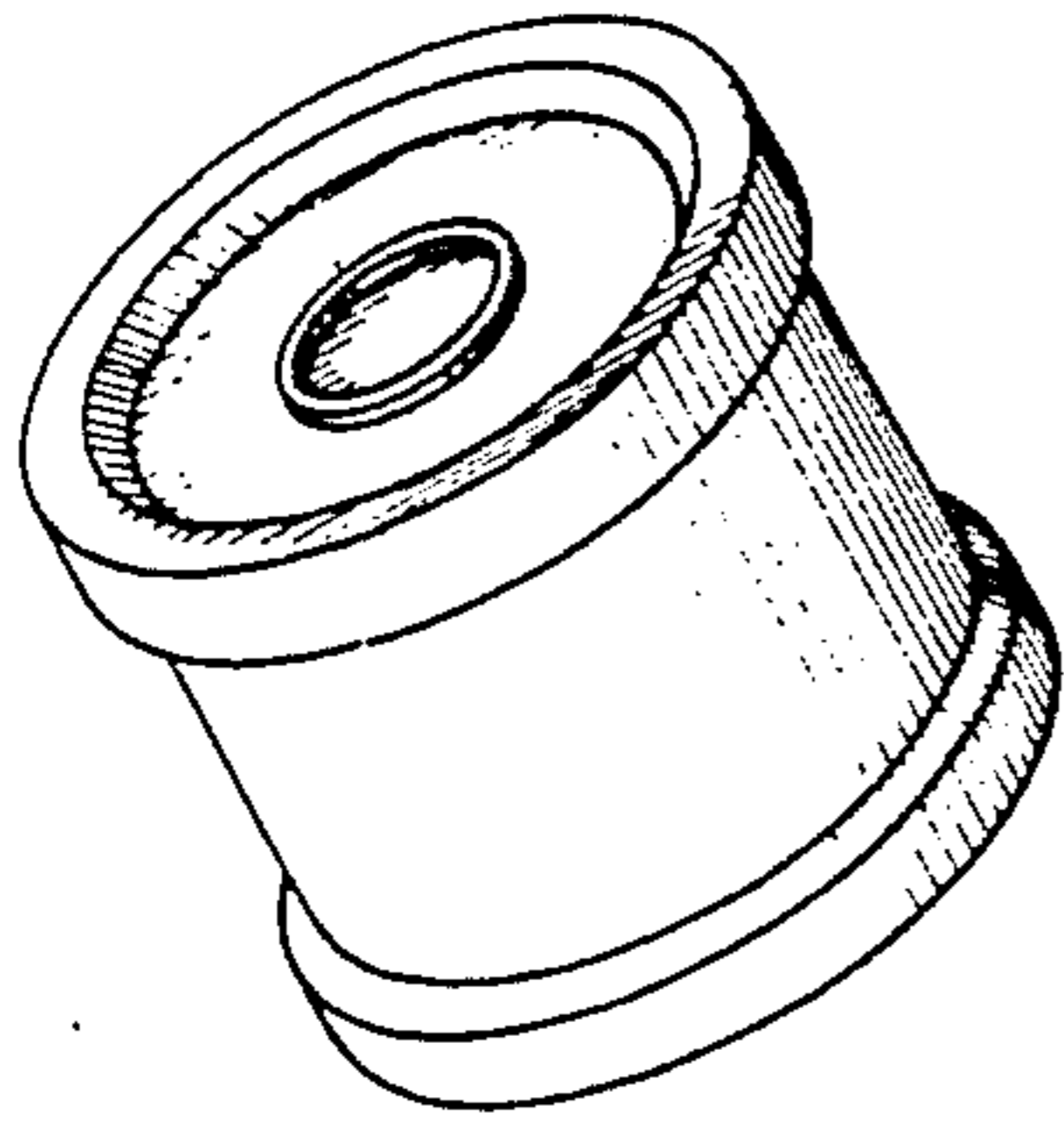


Fig 2

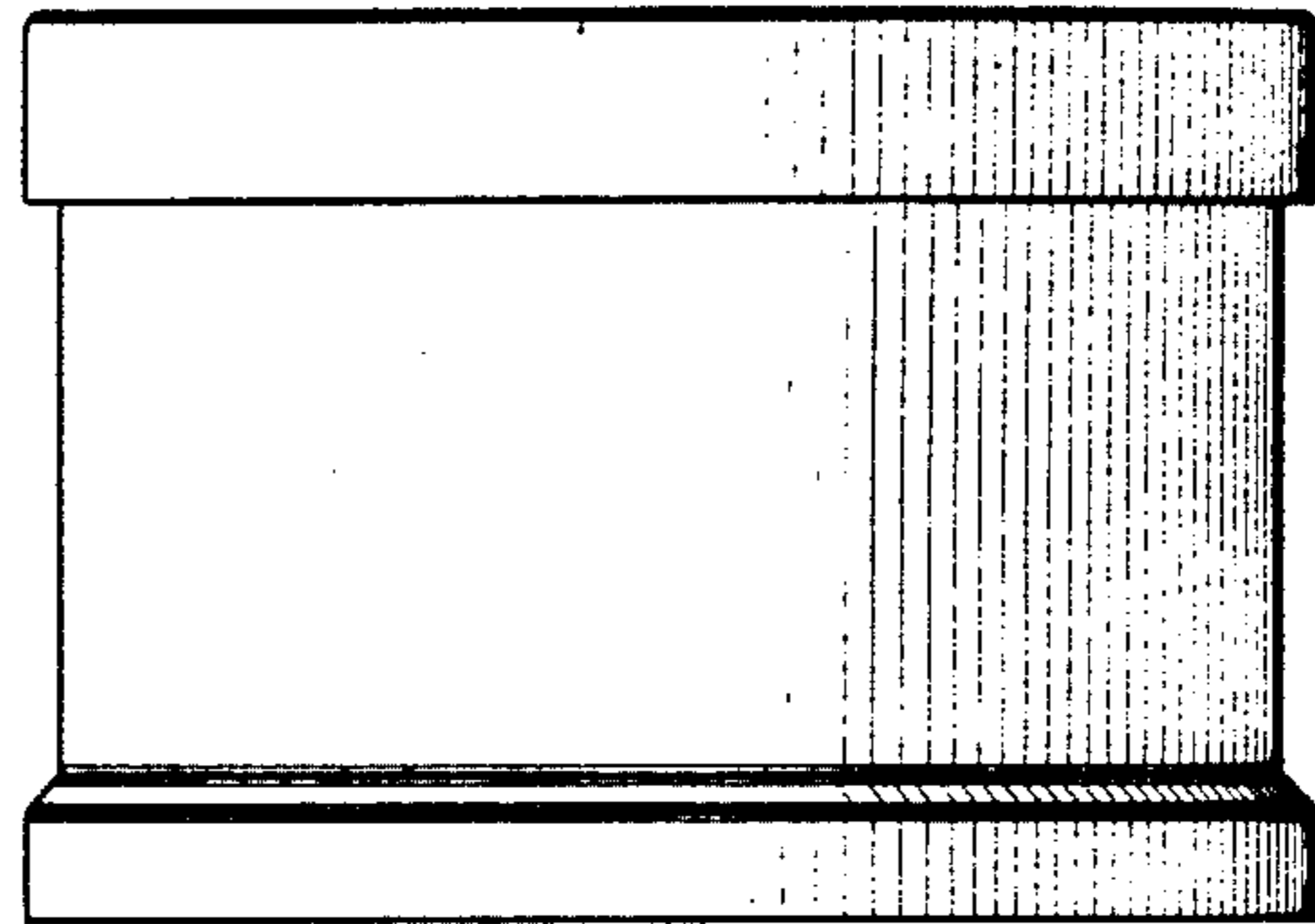


Fig 3

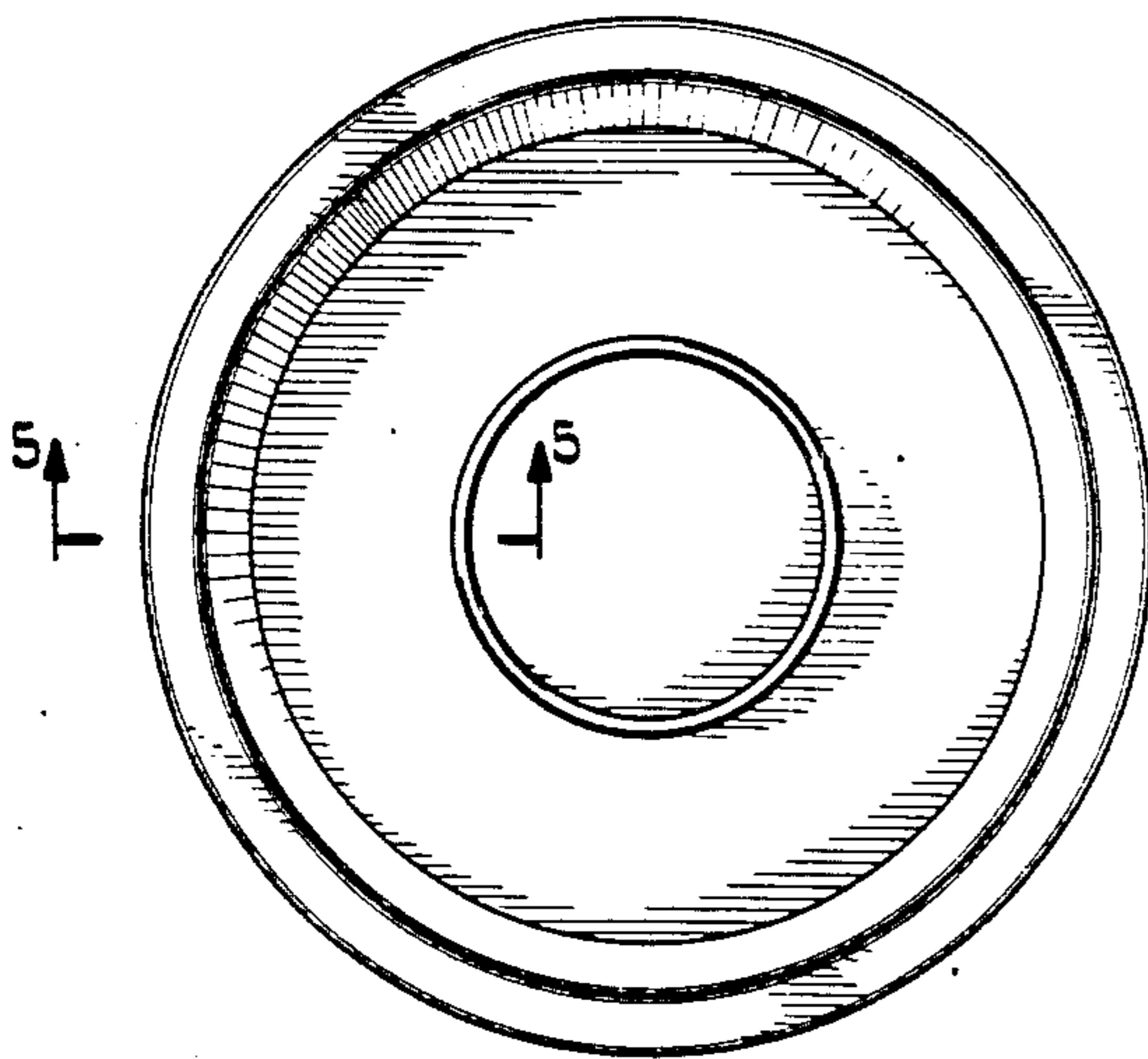


Fig 4

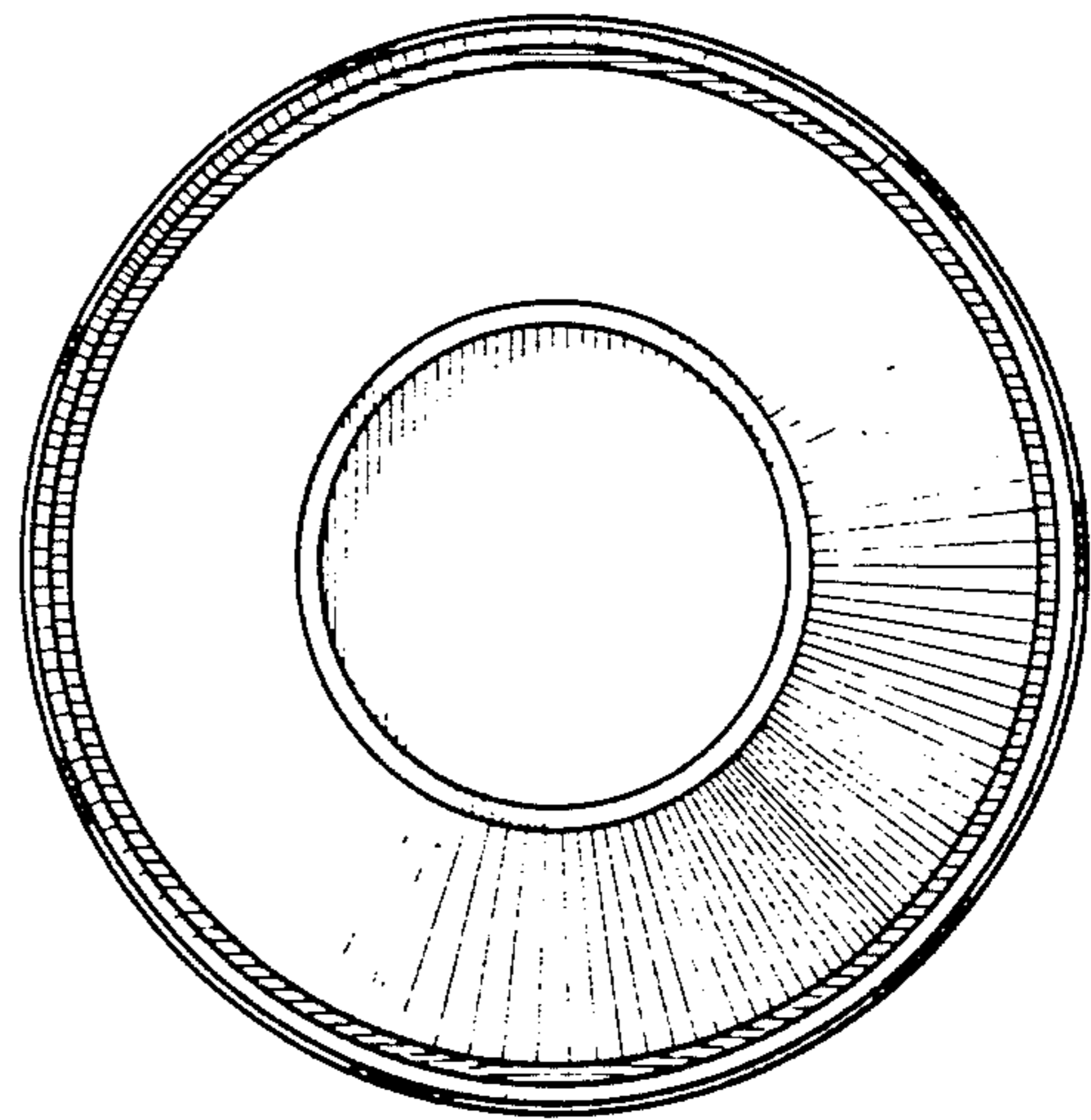


Fig 5

