

[54] WORK TABLE FOR A KNITTING MACHINE OR THE LIKE

[76] Inventor: Thomas W. Hoover, 913 Rosewood La., Arlington, Tex. 76010

[**] Term: 14 Years

[21] Appl. No.: 710,471

[22] Filed: Mar. 11, 1985

[52] U.S. Cl. D6/477

[58] Field of Search D6/449, 396, 397, 411, D6/419, 427, 429, 471, 473, 477, 478, 479, 480, 484

[56] References Cited

U.S. PATENT DOCUMENTS

- D. 134,528 12/1942 Huber D6/449
- D. 146,006 12/1946 Kolacy D6/477

- D. 172,074 5/1954 Baker et al. D6/330
- D. 174,407 4/1955 Anderle D6/449
- 2,101,259 12/1937 Landau D6/330 X

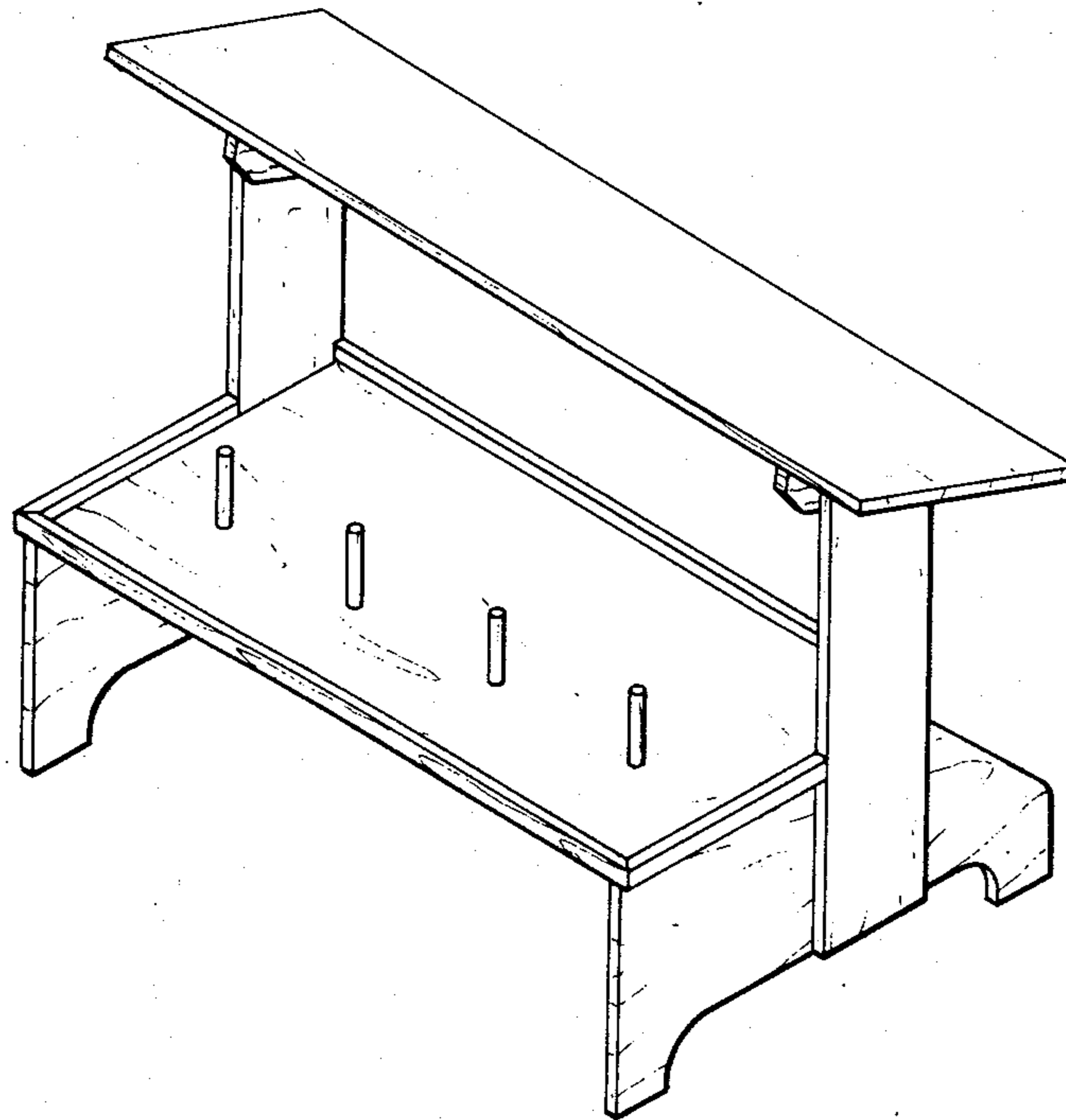
Primary Examiner—Bruce W. Dunkins
Attorney, Agent, or Firm—Charles W. McHugh

[57] CLAIM

The ornamental design for a work table for a knitting machine or the like, as shown.

DESCRIPTION

FIG. 1 is a front perspective view of a work table for a knitting machine or the like showing my new design; FIG. 2 is a left side elevational view thereof; FIG. 3 is a right side elevational view thereof; FIG. 4 is a rear elevational view thereof; FIG. 5 is a top plan view thereof; FIG. 6 is a front elevational view thereof; and FIG. 7 is a bottom plan view thereof.



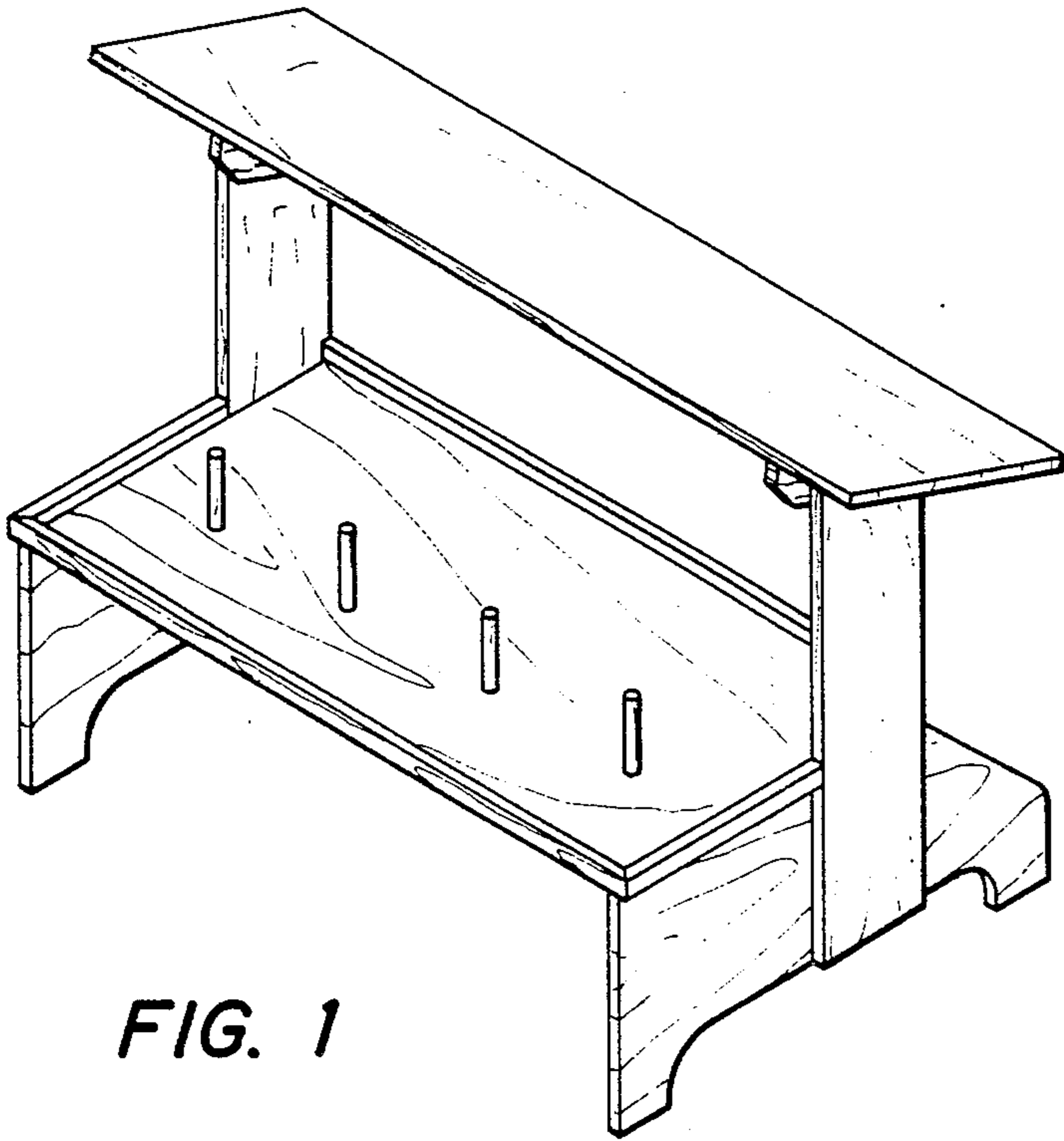


FIG. 1

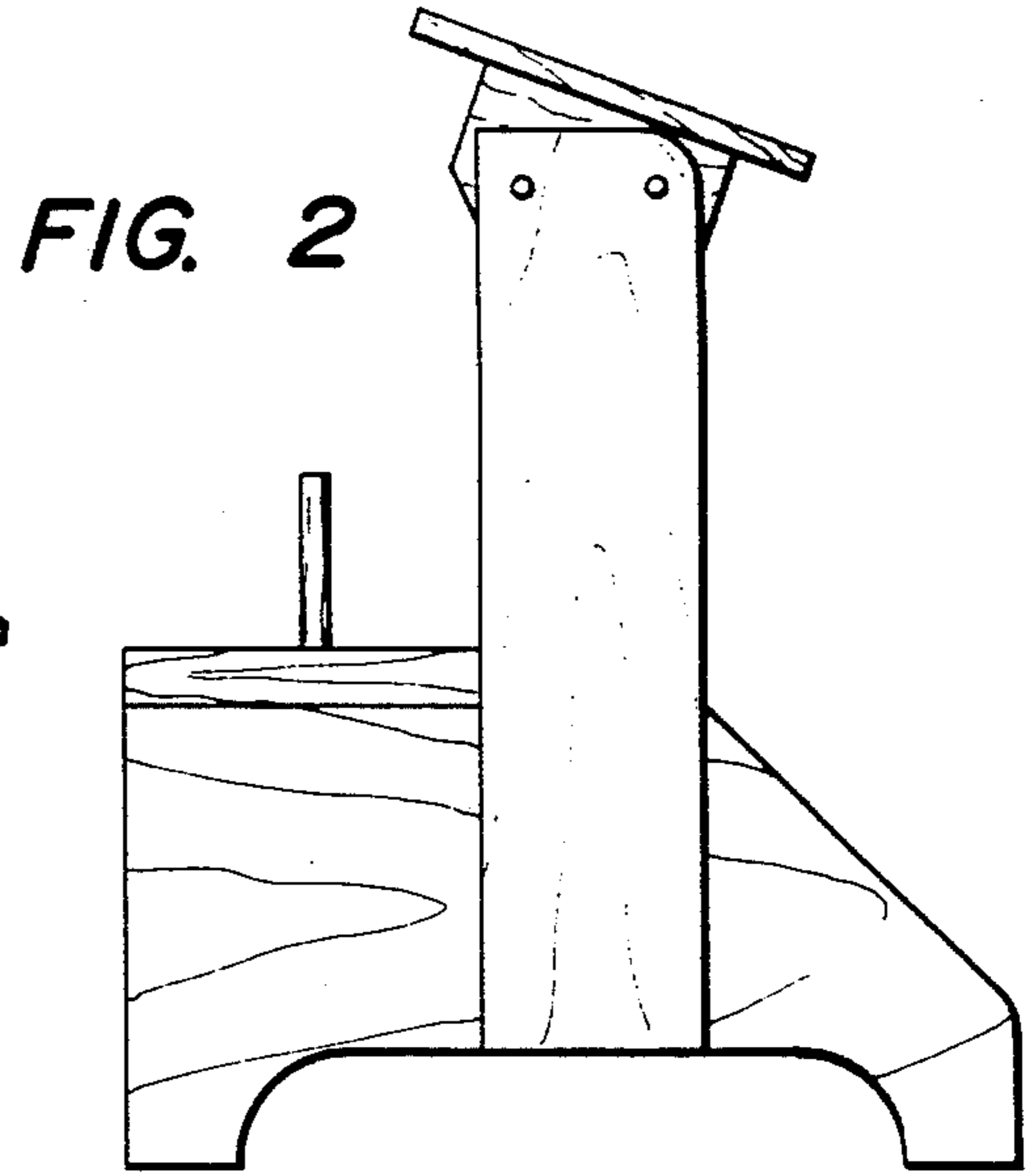


FIG. 2

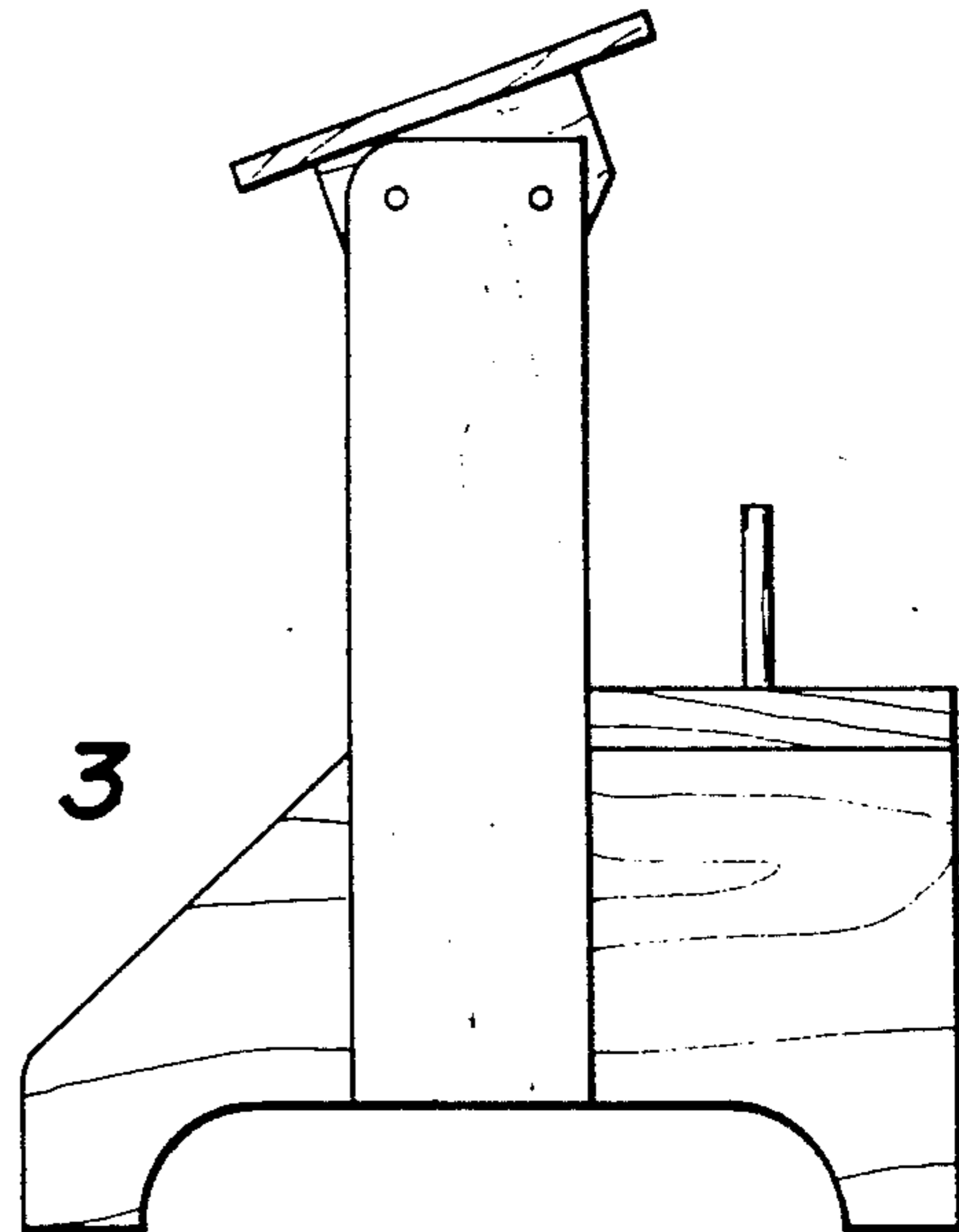


FIG. 3

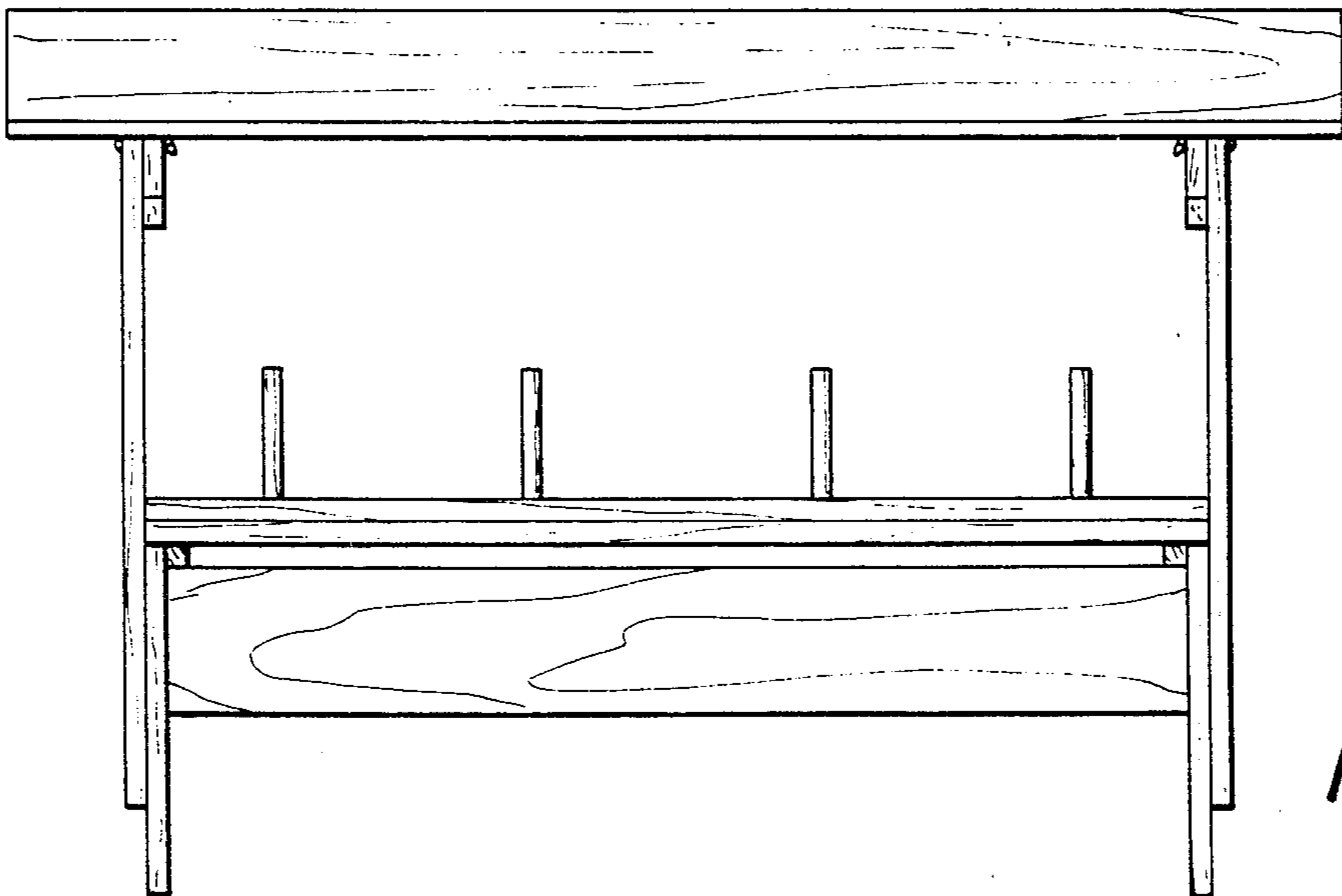


FIG. 4

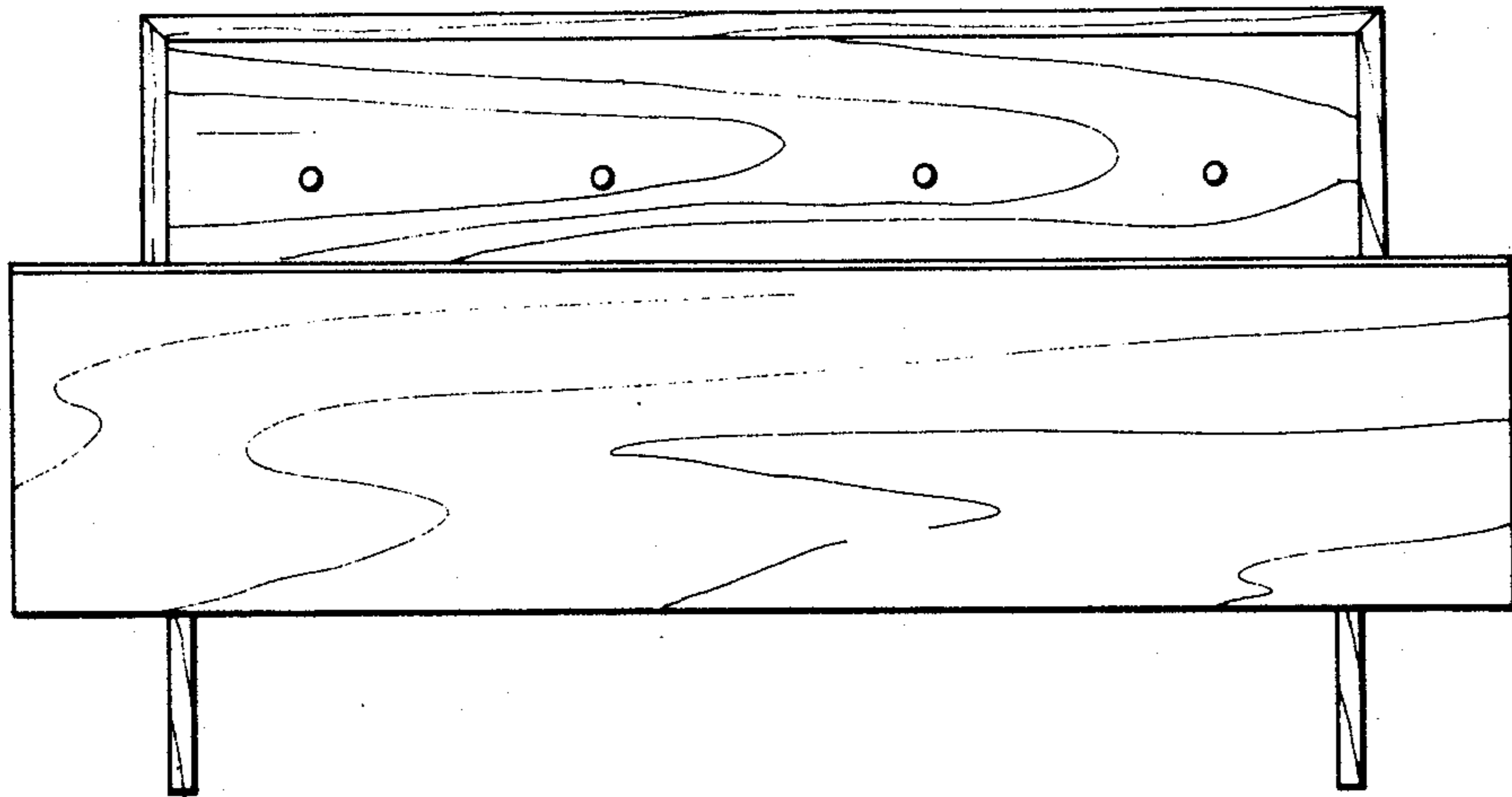


FIG. 5

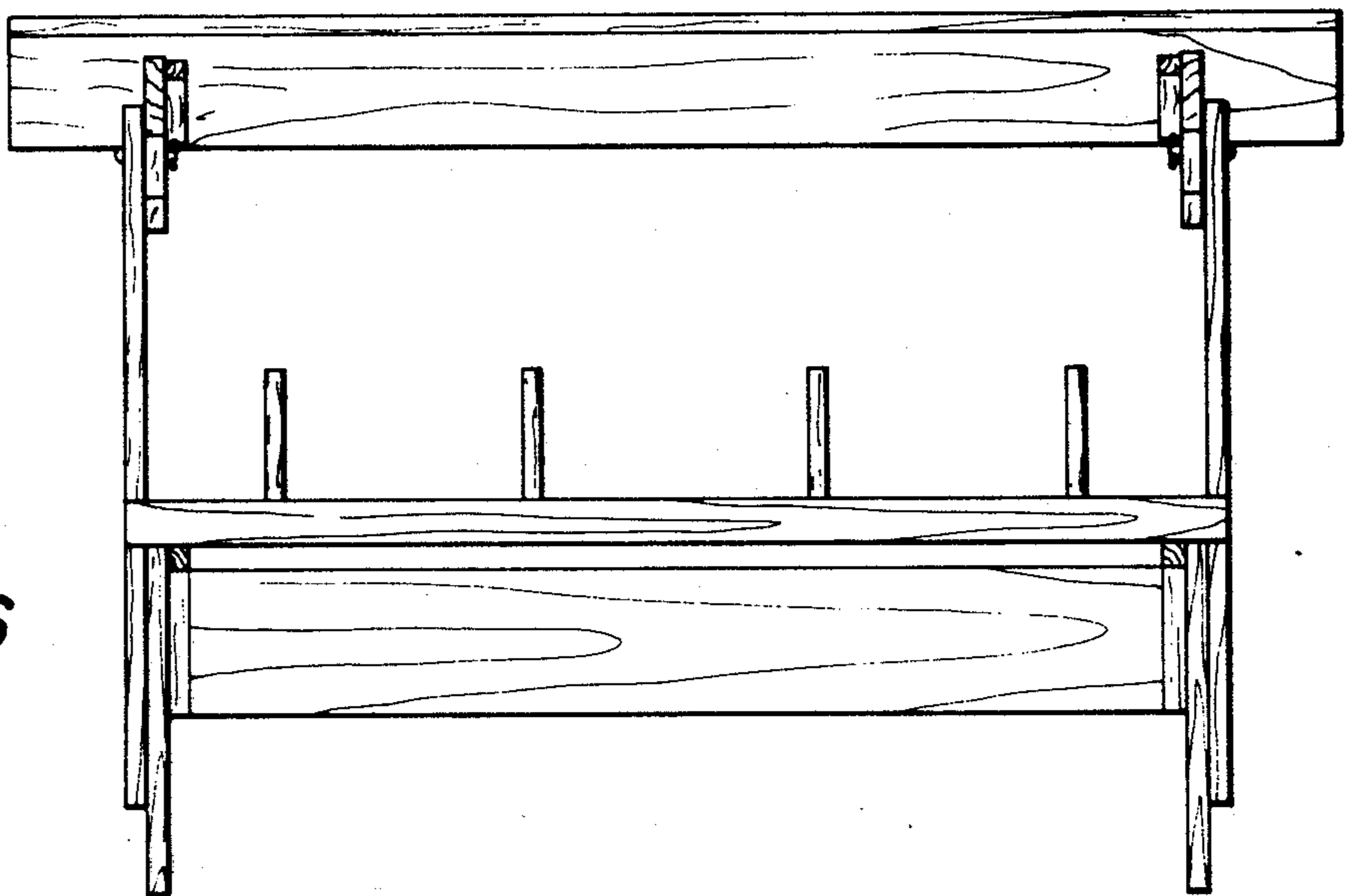


FIG. 6

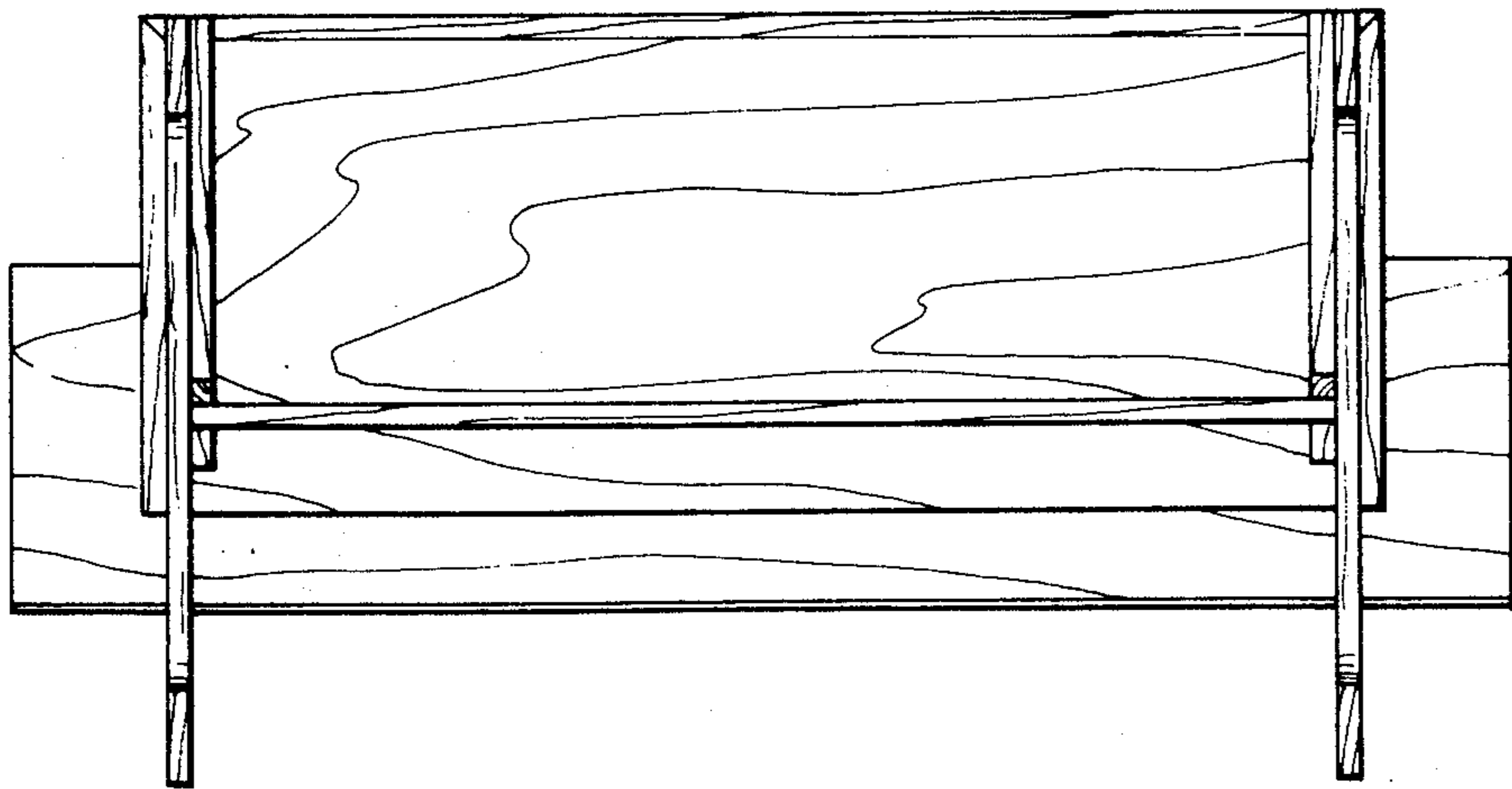


FIG. 7