

[54] BEVERAGE SERVING STAND

[75] Inventor: Arthur R. Carlson, Melbourne, Australia

[73] Assignee: The Decor Corporation Proprietary Limited, Scoresby, Australia

[**] Term: 14 Years

[21] Appl. No.: 646,568

[22] Filed: Aug. 31, 1984

[52] U.S. Cl. D6/474; D7/309; D7/311; D7/388; D7/397; D7/403

[58] Field of Search D6/449, 474; D7/70, D7/309, 311, 388, 403, 397; 248/146, 346

[56] References Cited

U.S. PATENT DOCUMENTS

D. 91,899 4/1934 Phillips D7/311

D. 153,857	5/1949	Comeau et al.	D6/466 X
D. 205,702	9/1966	Christine et al.	D7/311
D. 235,015	4/1975	Stern	D7/311 X
D. 277,633	2/1985	McClellan	D7/311 X
4,083,294	4/1978	Petry	D7/309 X
4,442,343	4/1984	Genuit et al.	D7/309 X

Primary Examiner—Carmen H. Vales
Attorney, Agent, or Firm—Trexler, Bushnell, Giangiorgi & Blackstone, Ltd.

[57] CLAIM

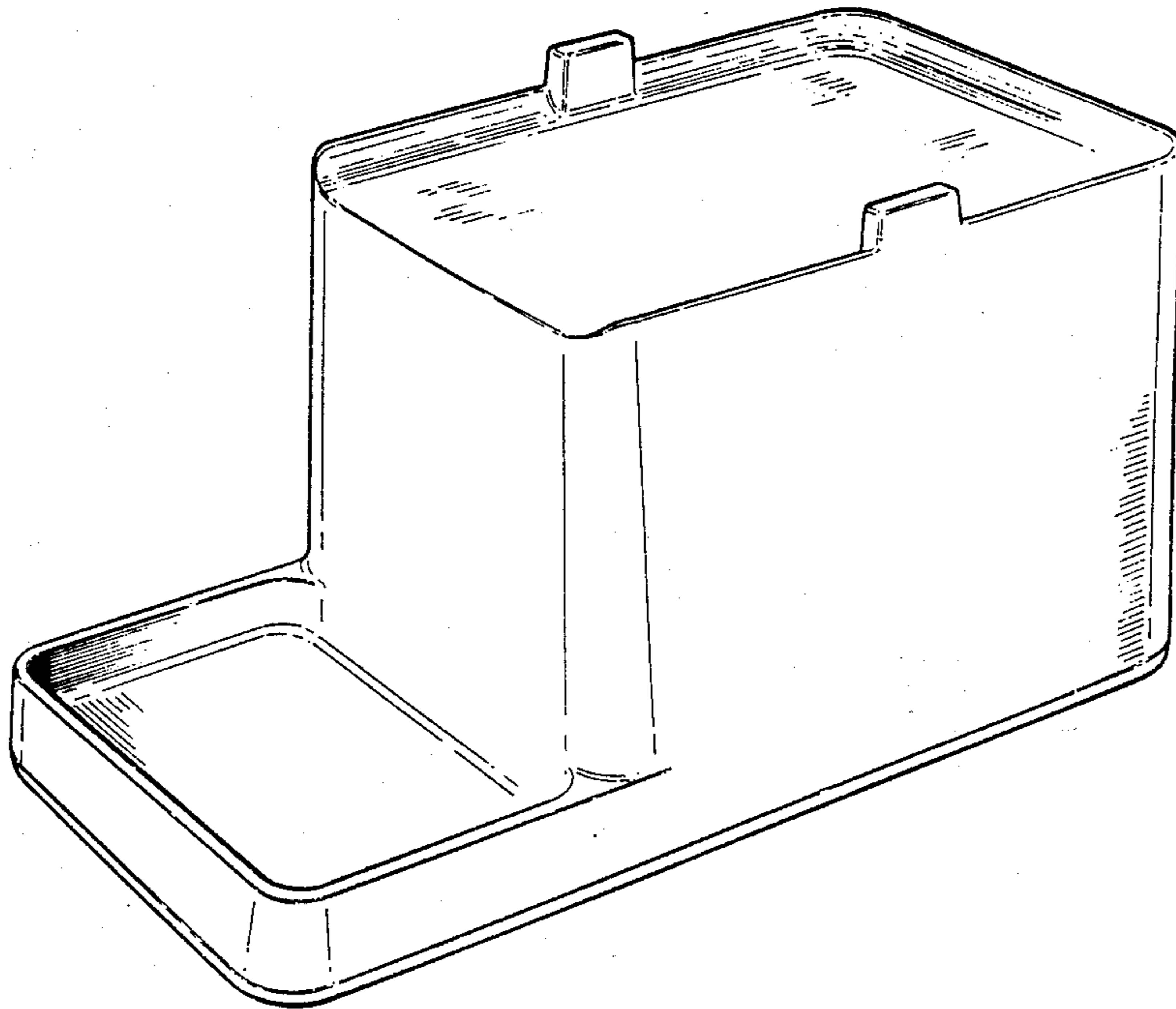
The ornamental design for a beverage serving stand, as shown and described.

DESCRIPTION

FIG. 1 is a top perspective view of a beverage serving stand showing my new design, the side opposite being a mirror image thereof; and

FIG. 2 is a bottom perspective view thereof.

The rear of the stand is flat and unornamented.



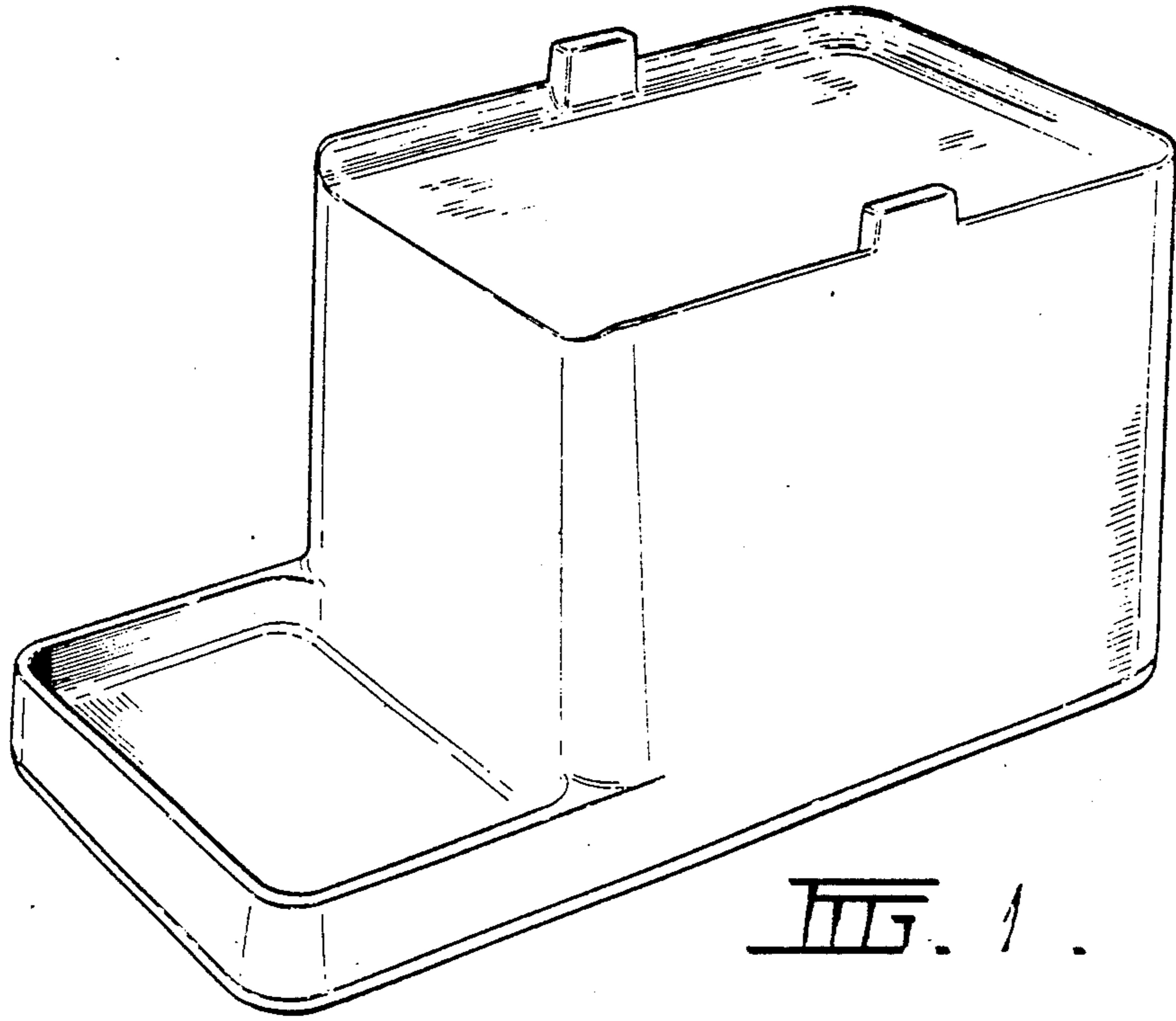


FIG. 1.

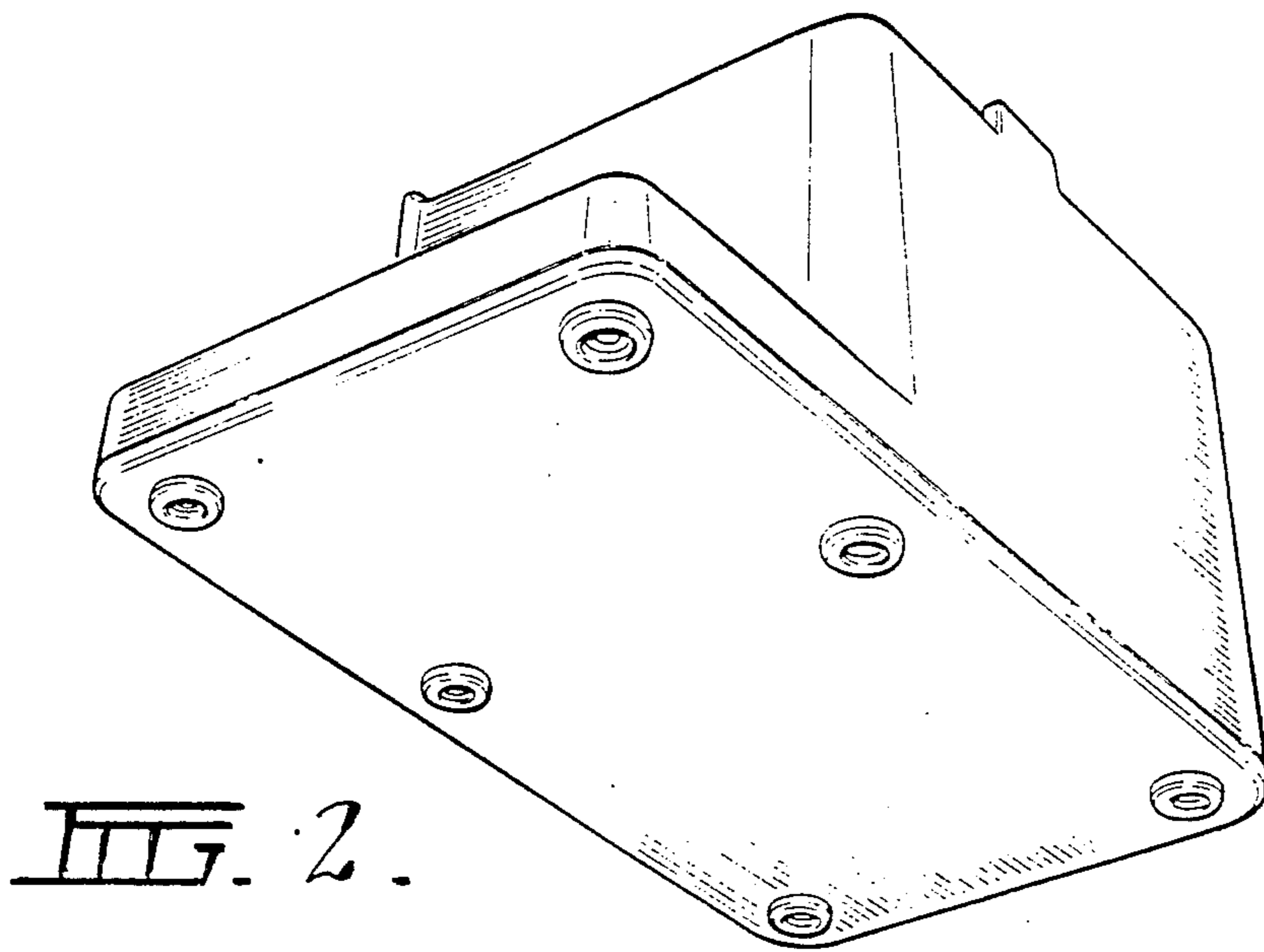


FIG. 2.