

[54] **COMBINED ADJUSTABLE TABLE AND EXTENDIBLE SHELF UNIT**

[76] **Inventor: Kemper H. Righter, 2802 Lynn St., Bellingham, Wash. 98225**

[**] **Term: 14 Years**

[21] **Appl. No.: 693,597**

[22] **Filed: Jan. 22, 1985**

[52] **U.S. Cl. D6/430; D6/479**

[58] **Field of Search D6/429, 430, 477, 478, D6/479, 480, 484**

[56] **References Cited**

U.S. PATENT DOCUMENTS

- D. 204,044 3/1966 Bayly D6/478 X
- D. 225,955 1/1973 Torrey D6/478
- D. 236,787 9/1975 Stirling D6/477

Primary Examiner—Bruce W. Dunkins

Attorney, Agent, or Firm—George M. Cole

[57] **CLAIM**

The ornamental design for a combined adjustable table and extendible shelf unit, substantially as shown and described.

DESCRIPTION

FIG. 1 is a perspective view from above of a combined adjustable table and extendible shelf unit showing my new design;

FIG. 2 is a perspective view from below;

FIG. 3 is a front elevational view thereof;

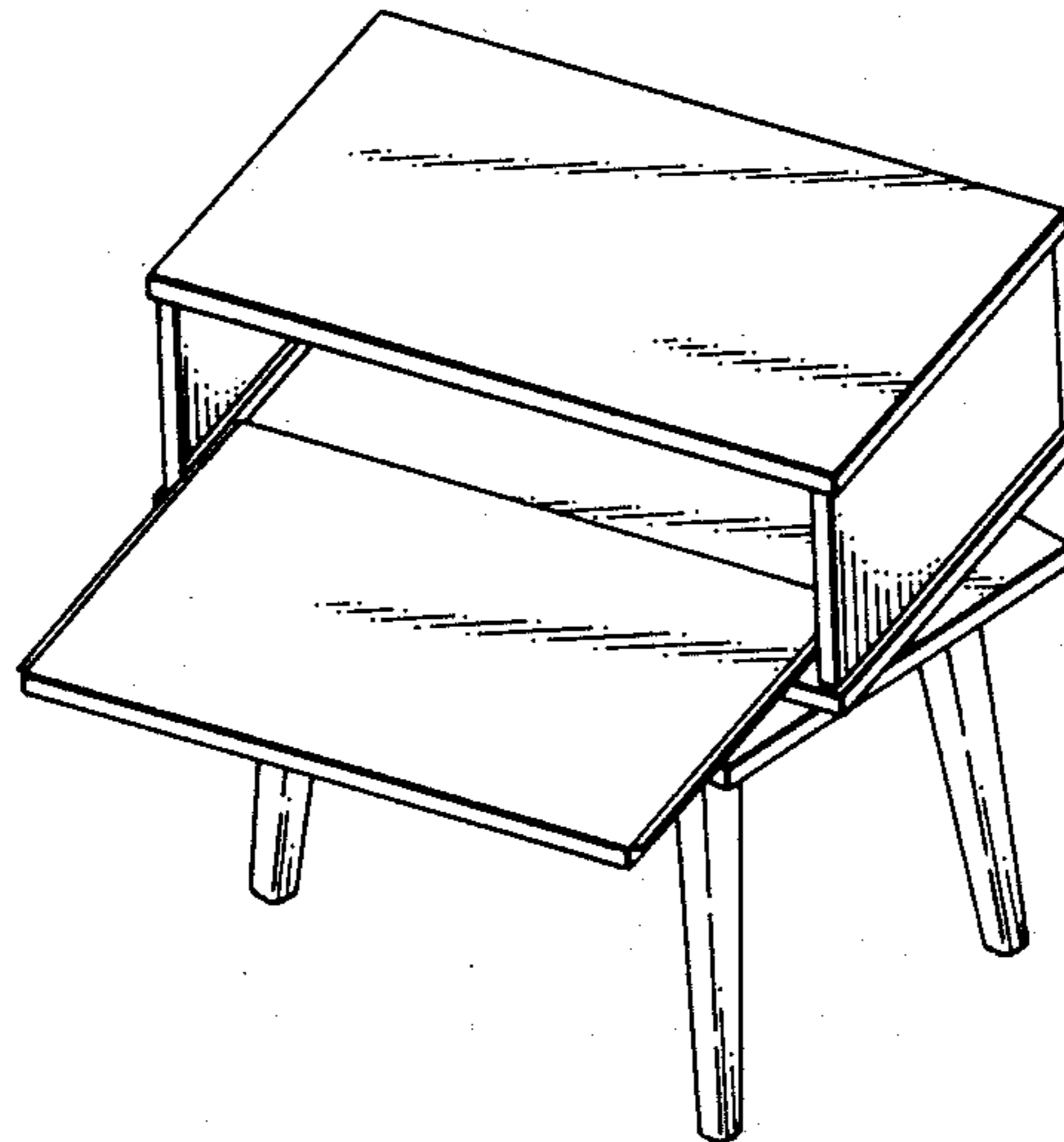
FIG. 4 is an end elevational view thereof;

FIG. 5 is a top plan view thereof;

FIG. 6 is a bottom plan view thereof;

FIG. 7 is a top perspective view of my design showing the movable shelf in its extended position; and

FIG. 8 is an end elevational view also showing the movable shelf extended.



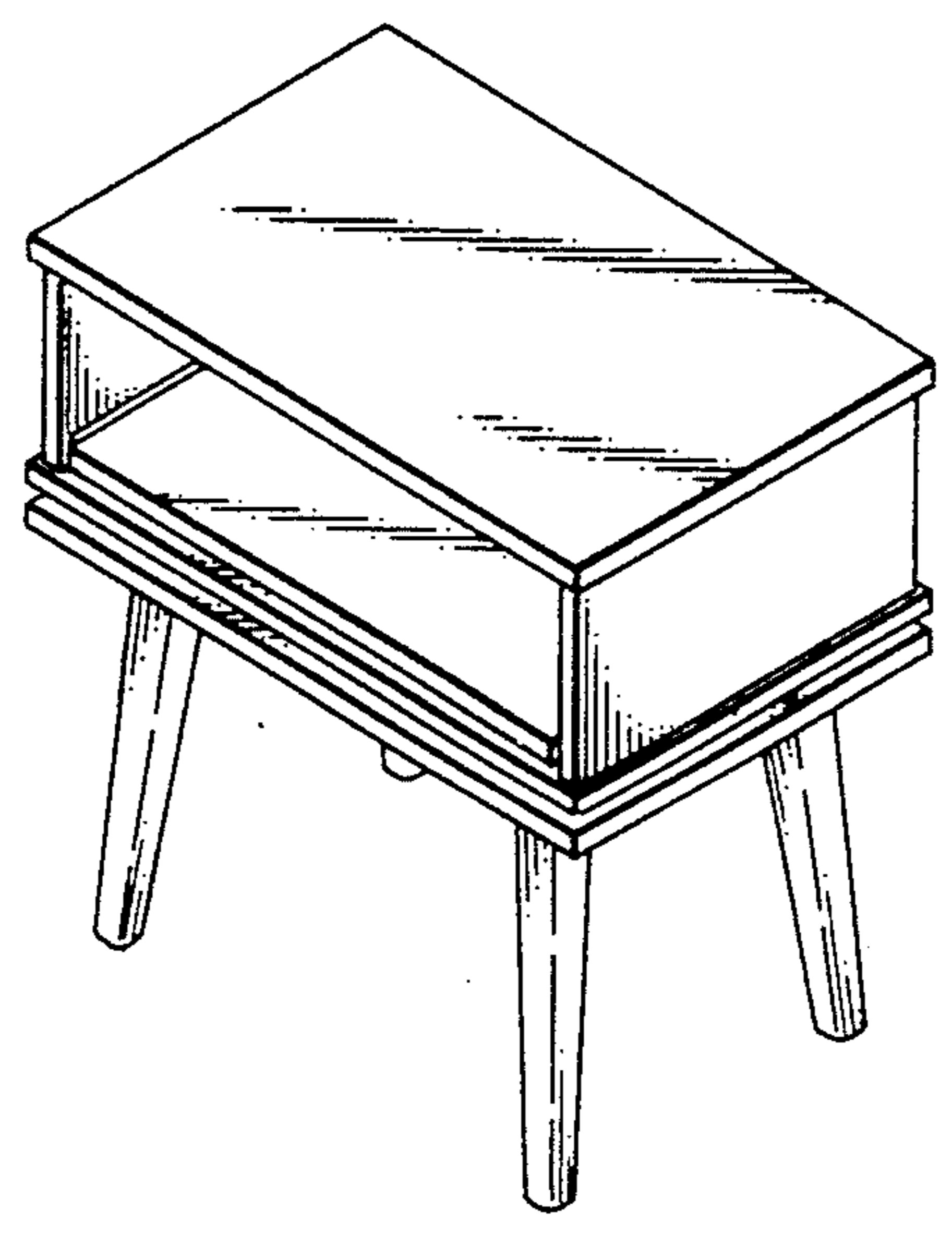


FIG. 1

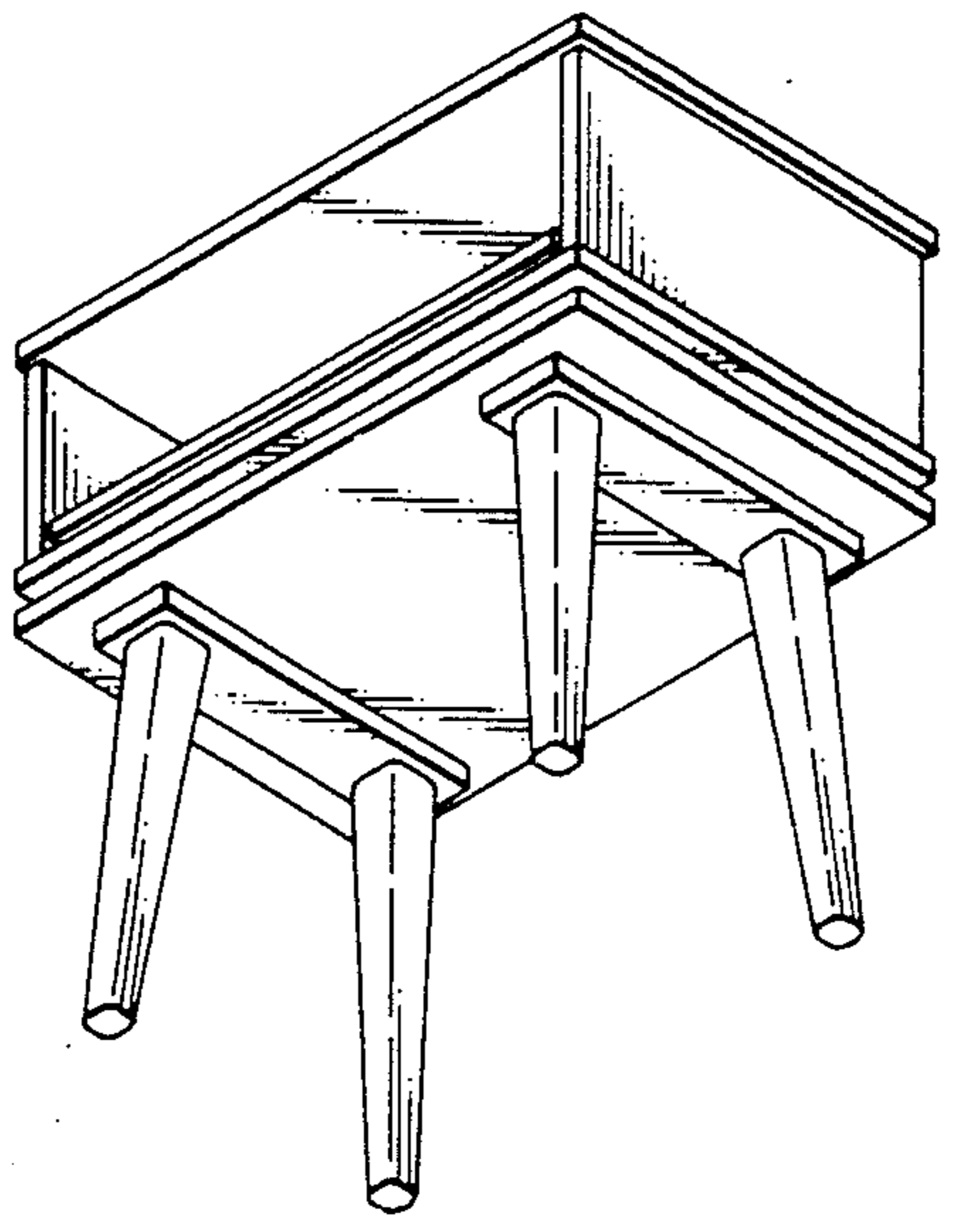


FIG. 2

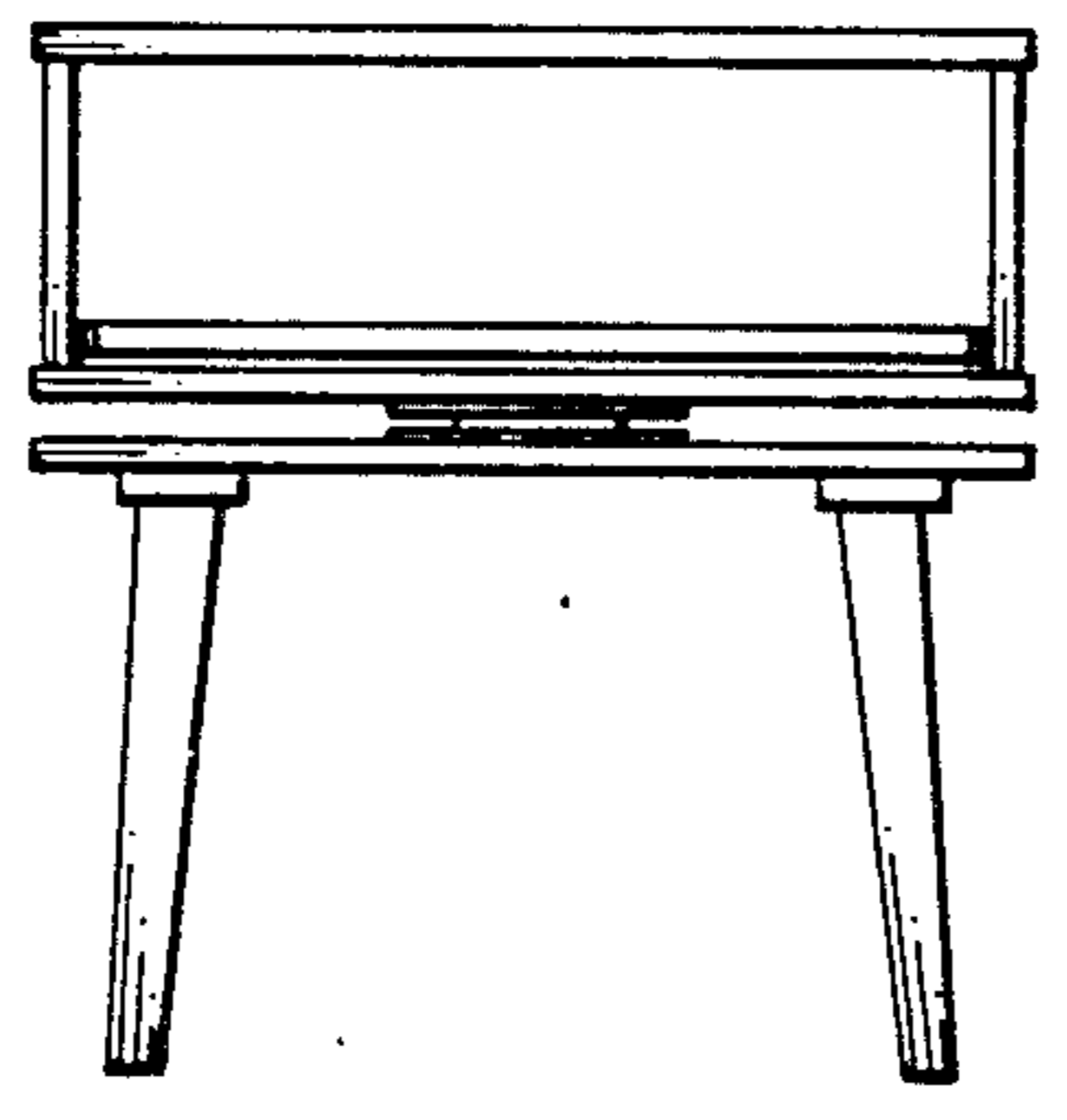


FIG. 3

FIG. 4

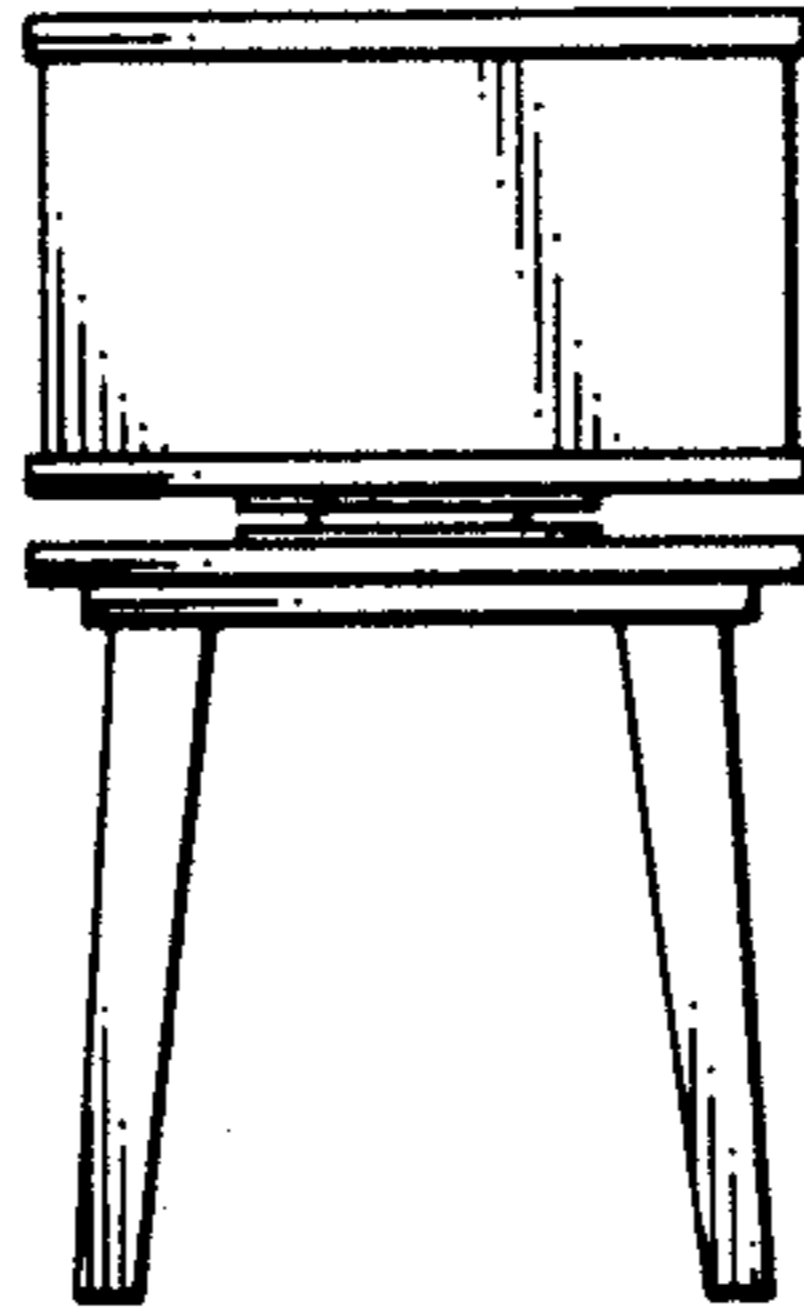


FIG. 5

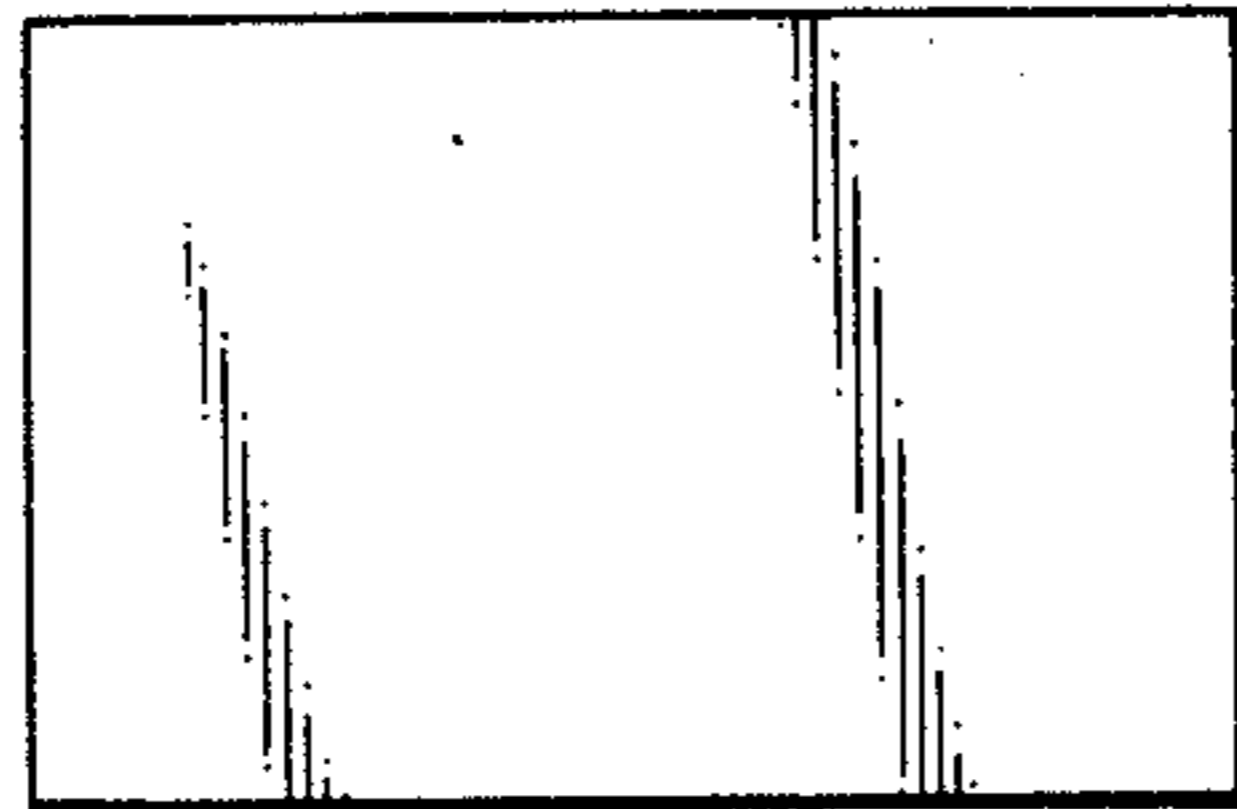


FIG. 6

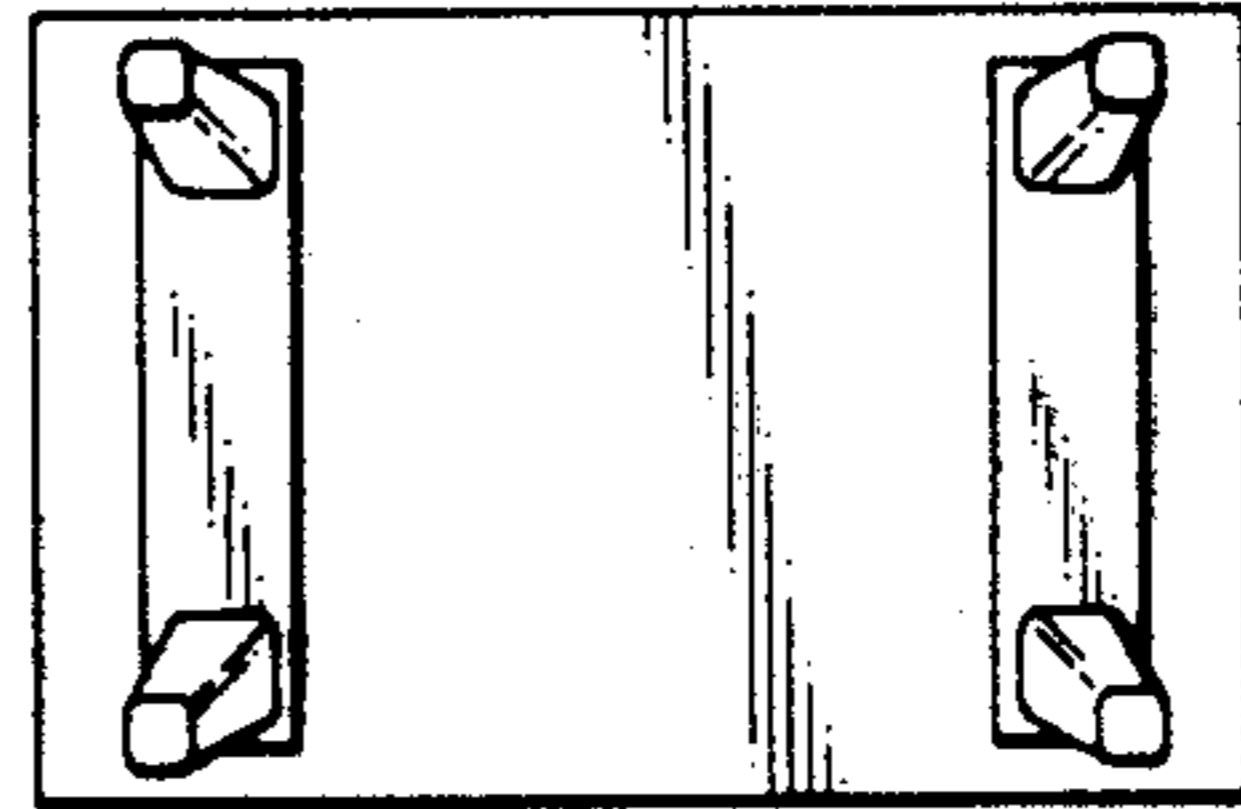


FIG. 7

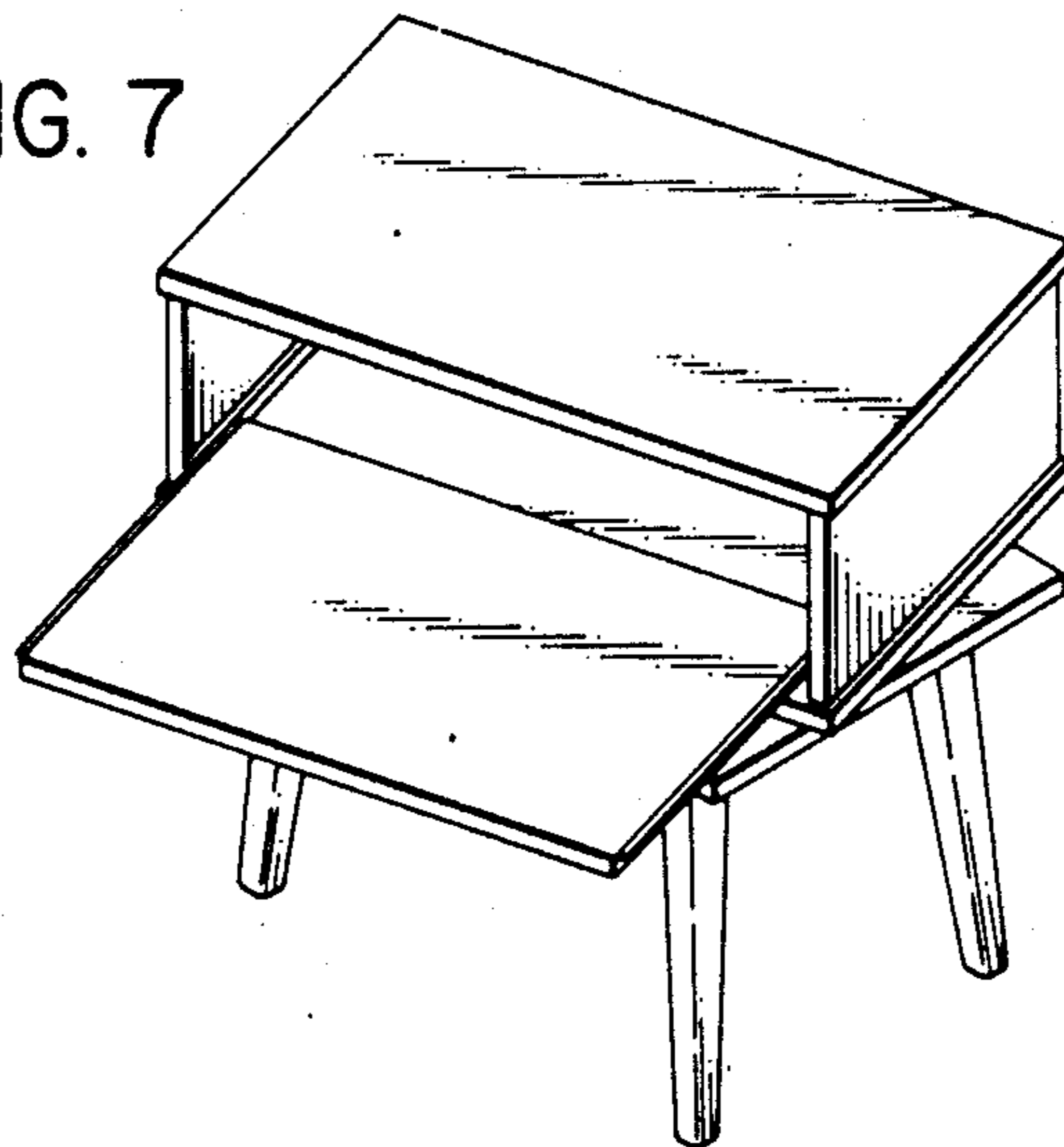


FIG. 8

