

[54] **GLIDER SEAT**

[75] Inventors: **Charles Pomeroy; John T. Bycraft,**
both of South Bend, Ind.

[73] Assignee: **Jack-Post Corporation,** Buchanan,
Mich.

[**] Term: **14 Years**

[21] Appl. No.: **639,597**

[22] Filed: **Aug. 10, 1984**

[52] U.S. Cl. **D6/347; D6/370;**
D6/381

[58] Field of Search **D6/336, 370; D12/129;**
297/280, 281, 282

[56] **References Cited**

U.S. PATENT DOCUMENTS

- D. 265,952 8/1982 Theodore D6/336
- D. 281,378 11/1985 Parker D6/370 X
- 3,078,101 2/1963 Reese D12/129

OTHER PUBLICATIONS

Jack-Post Corp. brochure, *Fiesta Royale* Patio Chair.

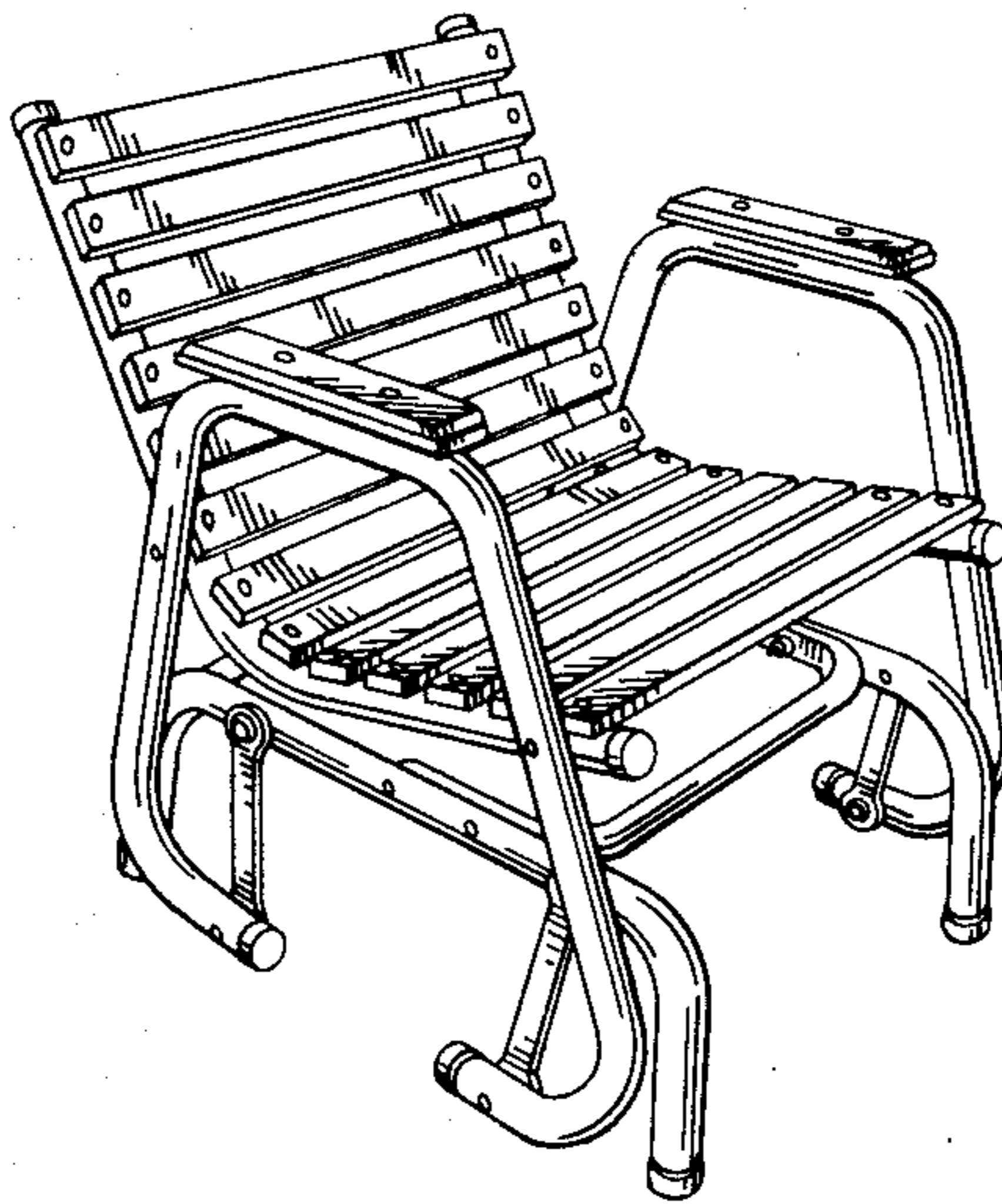
Primary Examiner—Bruce W. Dunkins
Attorney, Agent, or Firm—Stephen G. Rudisill

[57] **CLAIM**

The ornamental design for glider seat, as shown and described.

DESCRIPTION

FIG. 1 is a front perspective view of a glider seat showing our new design in the form of a chair;
 FIG. 2 is a top plan view of the glider seat shown in FIG. 1;
 FIG. 3 is a side elevational view taken from the left hand side of the glider seat shown in FIG. 1;
 FIG. 4 is a front elevational view of the glider seat shown in FIG. 1;
 FIG. 5 is a front perspective view of a glider seat showing our design in the form of a settee;
 FIG. 6 is a top plan view of the elongated glider seat shown in FIG. 5;
 FIG. 7 is a side elevational view taken from the left hand side of the glider seat shown in FIG. 5;
 FIG. 8 is a front elevational view of the glider seat shown in FIG. 5.



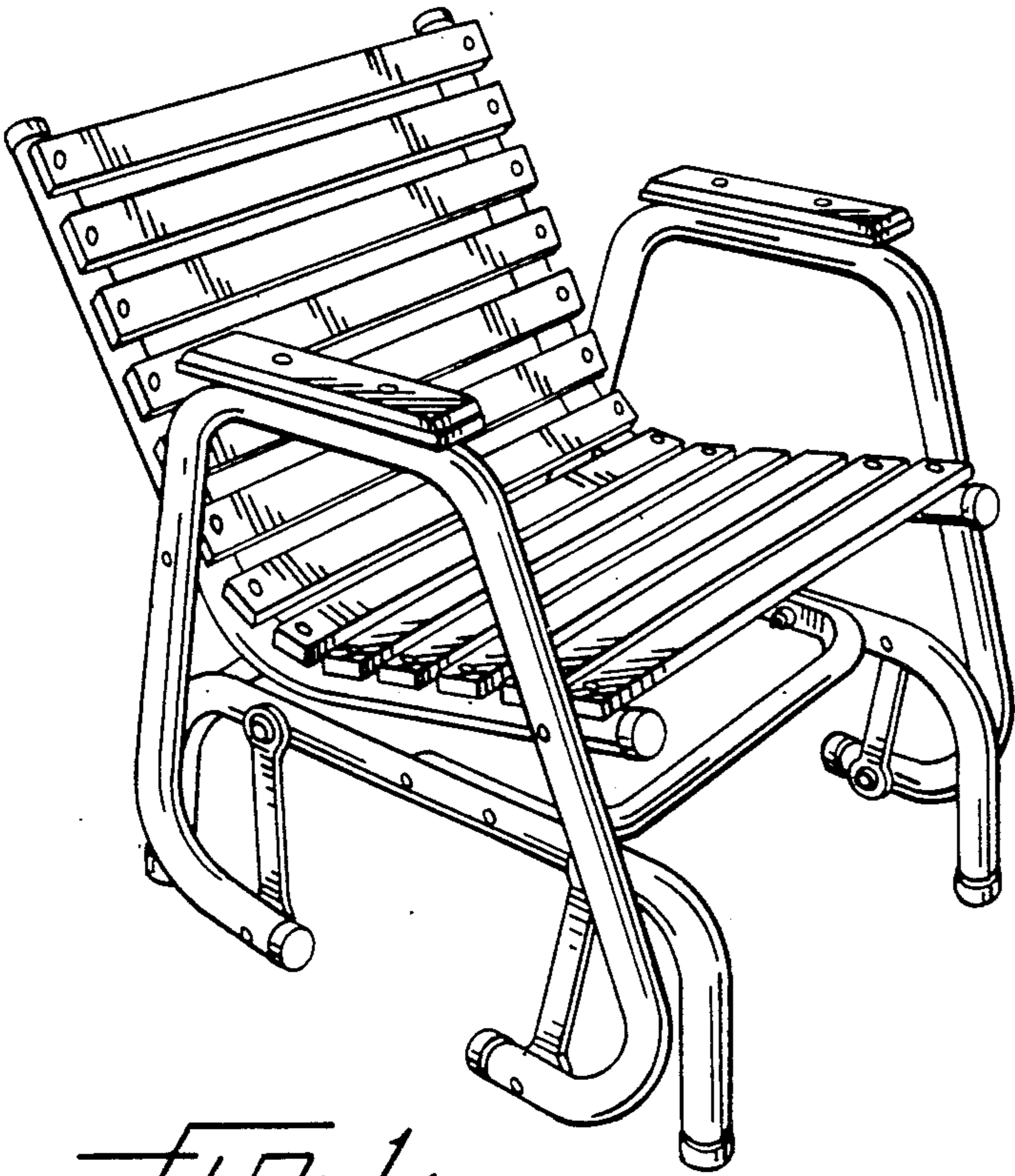


FIG. 1.

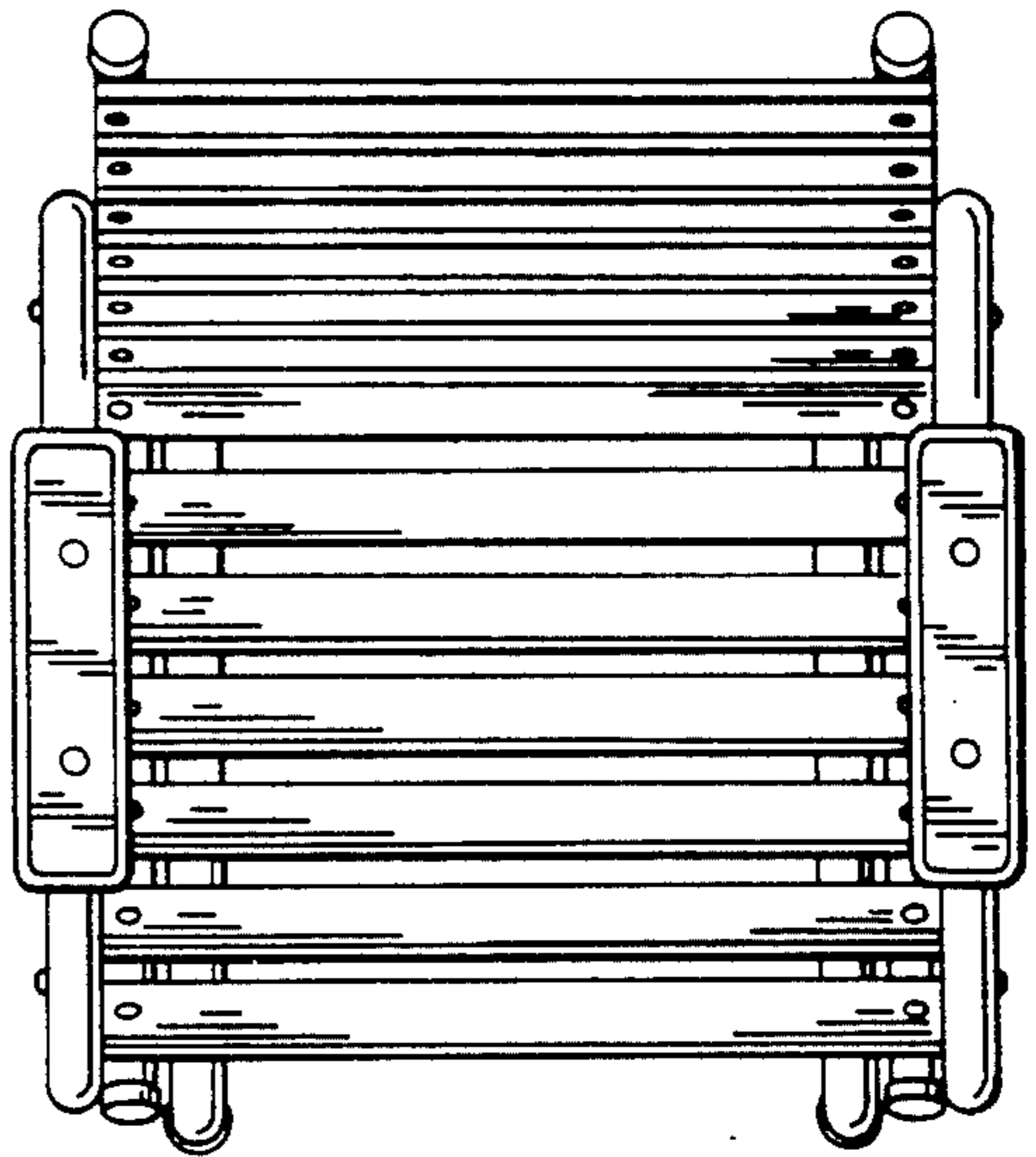


FIG. 2.

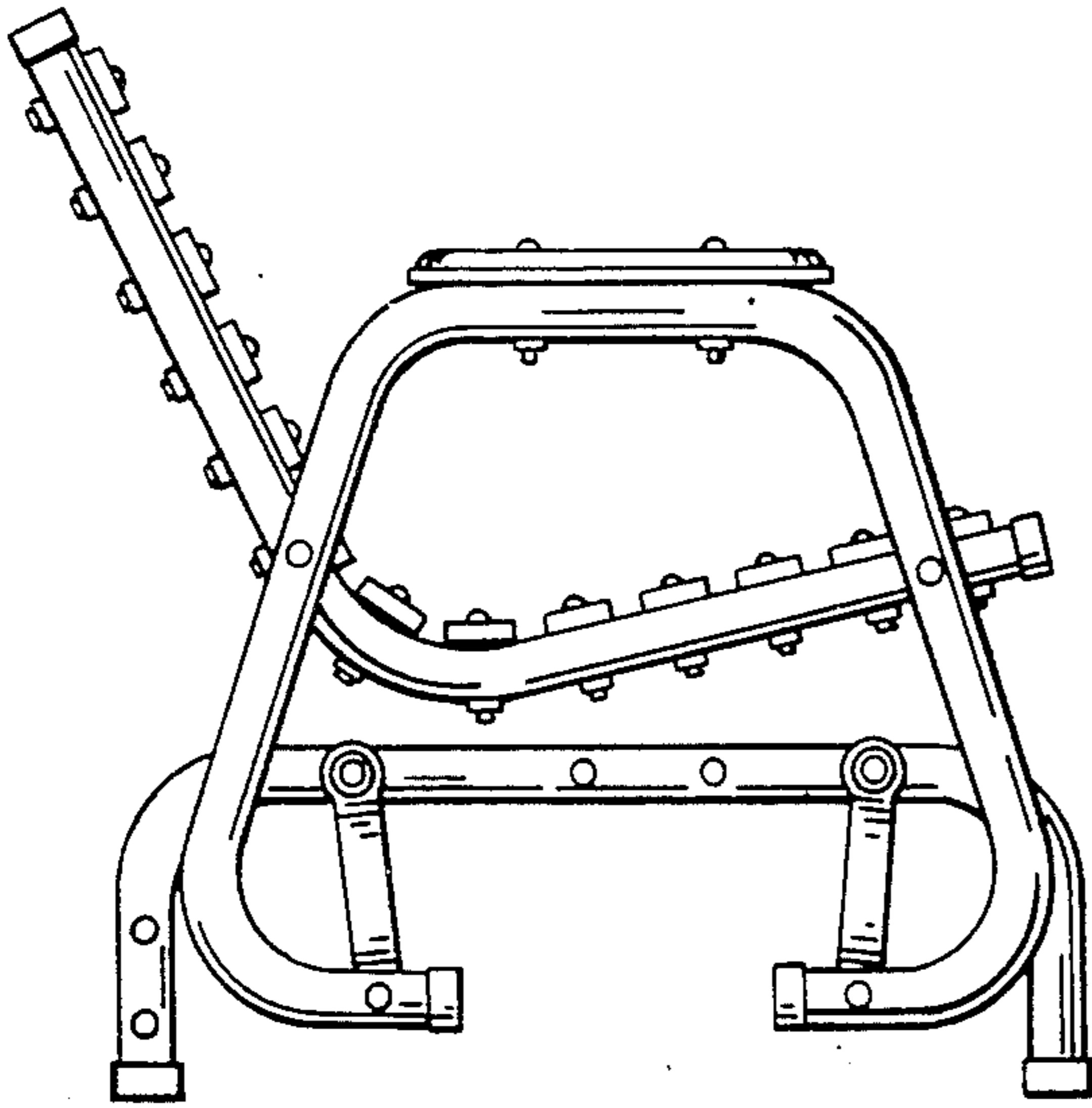


FIG. 3.

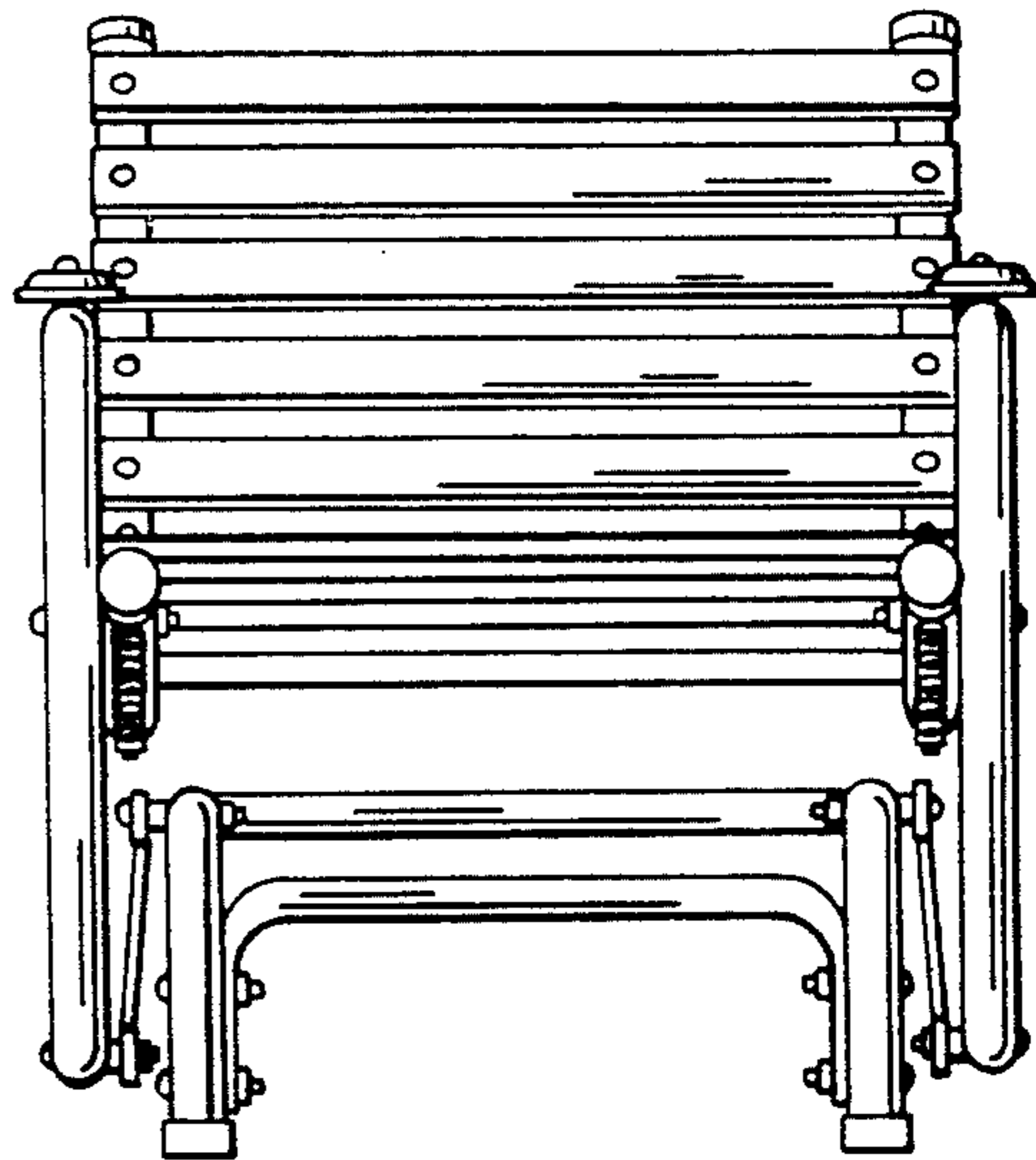


FIG. 4.

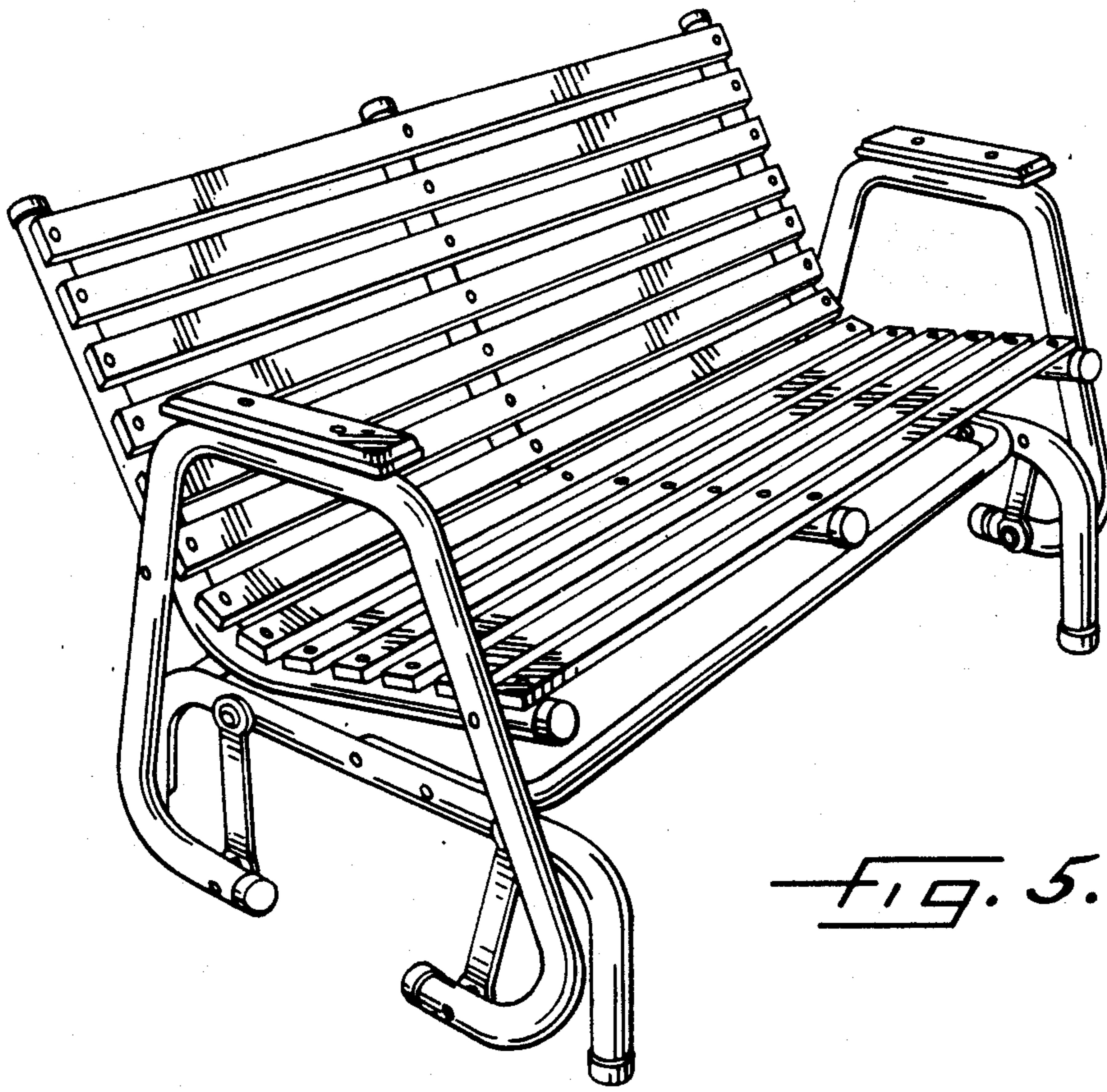


FIG. 5.

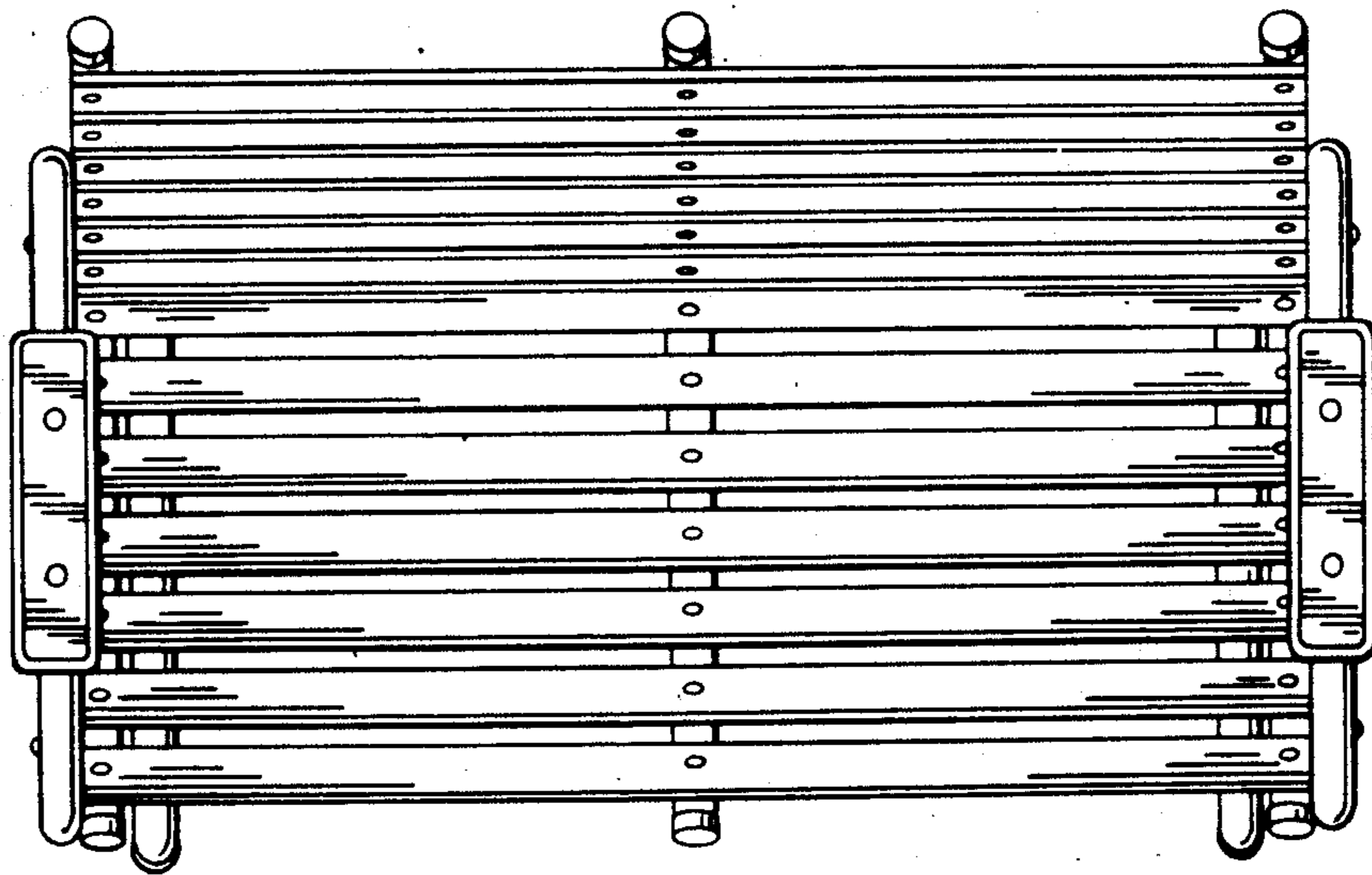


FIG. 6.

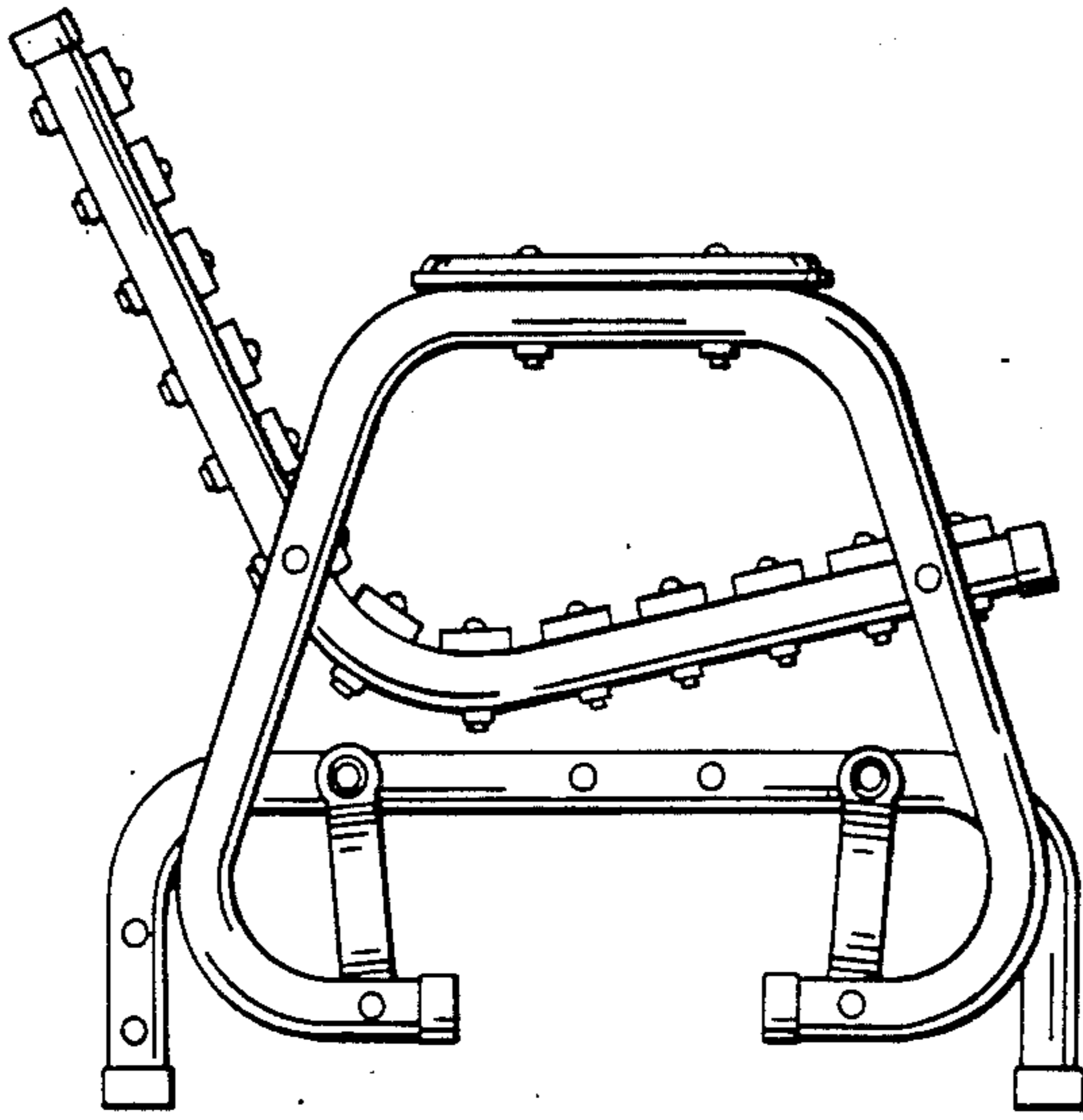


FIG. 7.

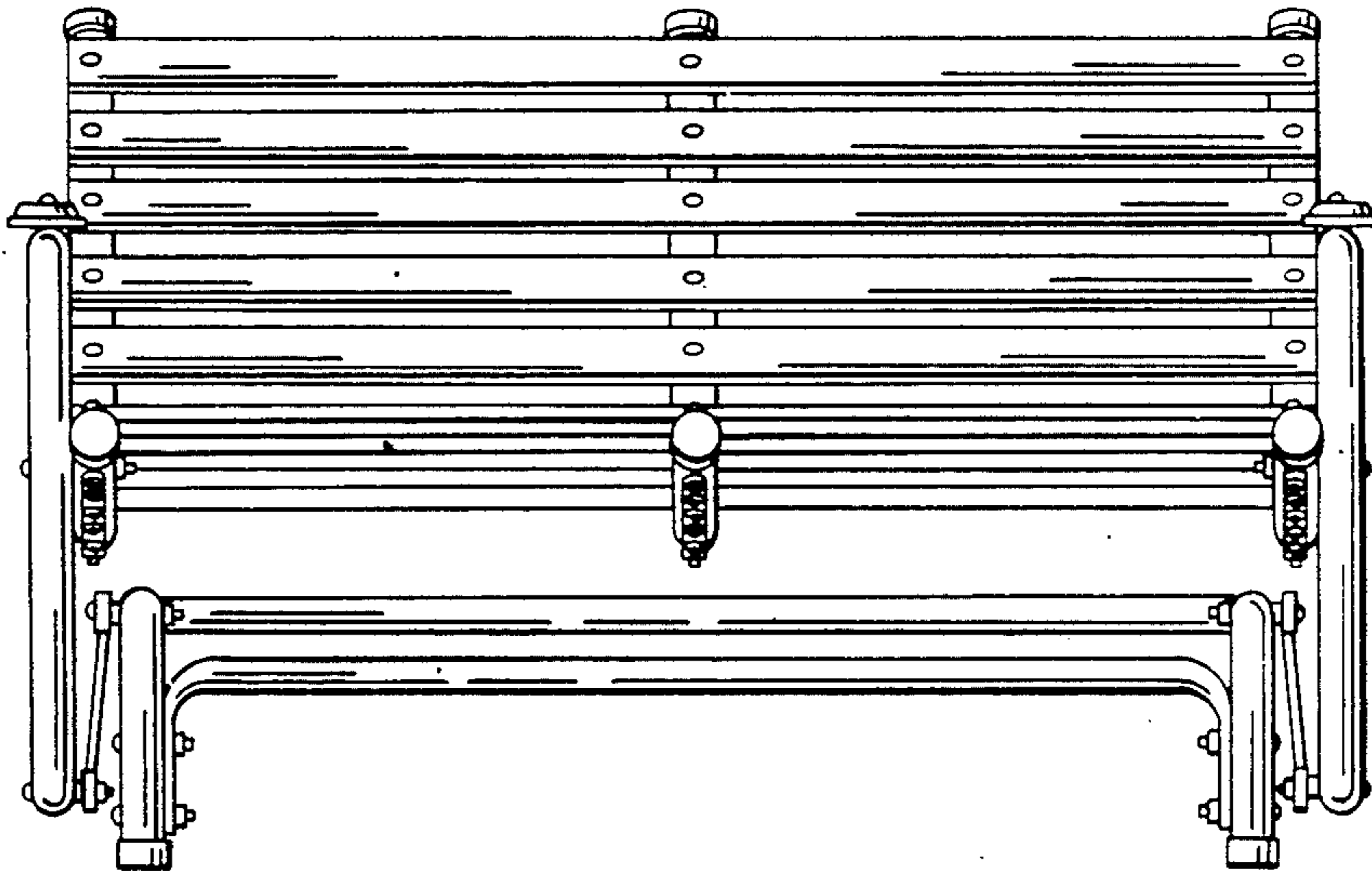


FIG. 8.