

[54] FOUNTAIN BRUSH

[75] Inventors: Franco Clivio, Zürich, Switzerland; Dieter Raffler, Neu-Ulm, Austria

[73] Assignee: Gardena Kress & Kastner GmbH, Fed. Rep. of Germany

[*] Notice: The portion of the term of this patent subsequent to Jul. 28, 2001 has been disclaimed.

[**] Term: 14 Years

[21] Appl. No.: 682,066

[22] Filed: Dec. 17, 1984

[30] Foreign Application Priority Data

Jun. 29, 1984 [DE] Fed. Rep. of Germany 14638403

[52] U.S. Cl. D4/115

[58] Field of Search 15/24, 29, 22 R, 50 R; 401/40-42, 129, 268, 270, 277, 282, 286, 289; D4/114, 115

[56] References Cited

U.S. PATENT DOCUMENTS

D. 48,835	4/1916	Templeman	D4/115
2,907,060	10/1959	Laitner	15/29
3,153,799	10/1964	Williams	15/29
3,782,837	1/1974	Feldmann	401/289 X
4,532,666	8/1985	Smyth	15/29 X

Primary Examiner—Catherine E. Kemper
Attorney, Agent, or Firm—Steele, Gould & Fried

[57] CLAIM

The ornamental design for a fountain brush, as shown and described.

DESCRIPTION

FIG. 1 is a perspective view of a fountain brush, showing our new design;
FIG. 2 is a front elevational view thereof;
FIG. 3 is a side elevational view thereof;
FIG. 4 is a rear elevational view thereof;
FIG. 5 is a bottom plan view thereof;
FIG. 6 is a top plan view thereof, shown in the transverse position;
FIG. 7 is a top plan view thereof, shown with the brush head in the lengthwise position.

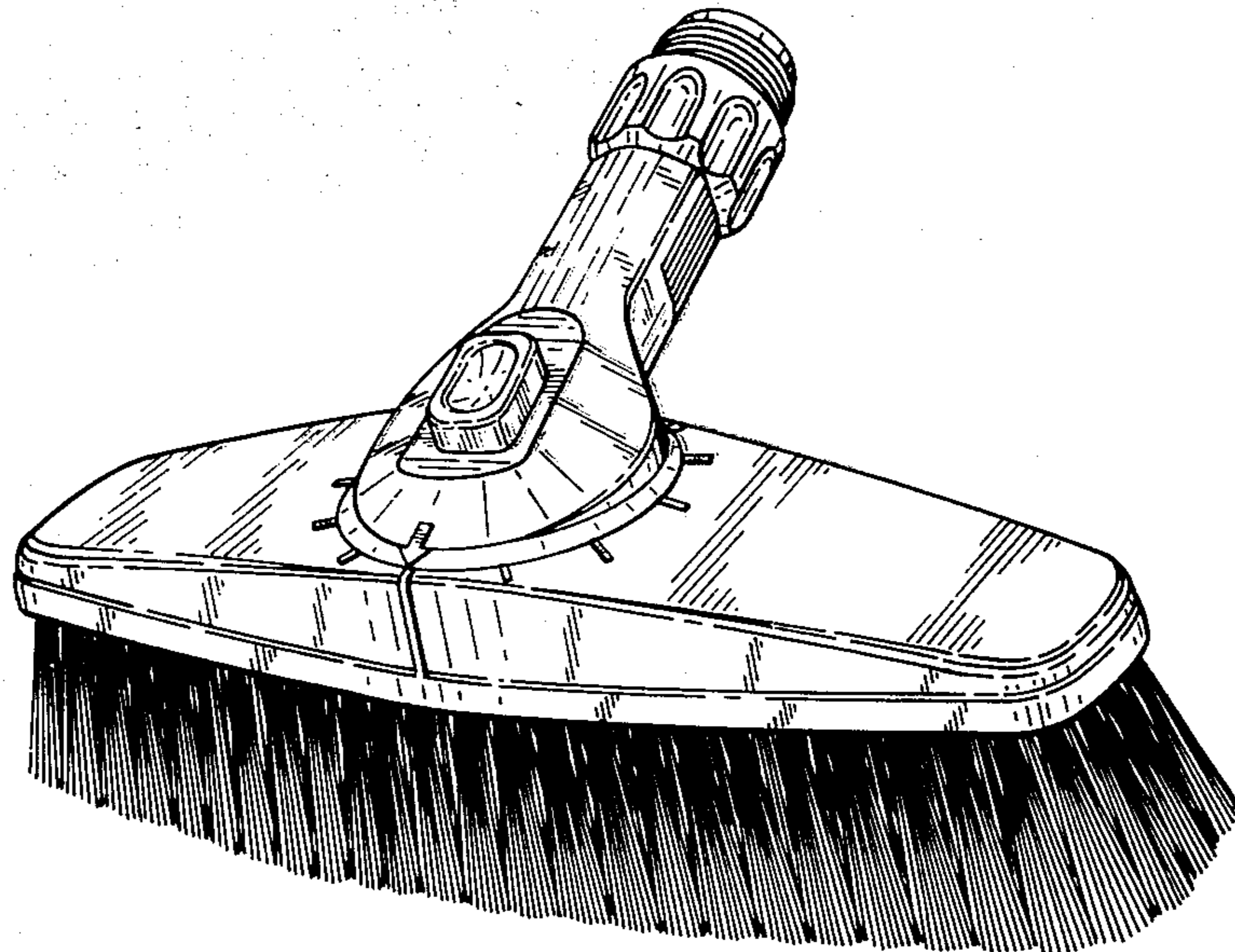


FIG. 1



FIG. 2

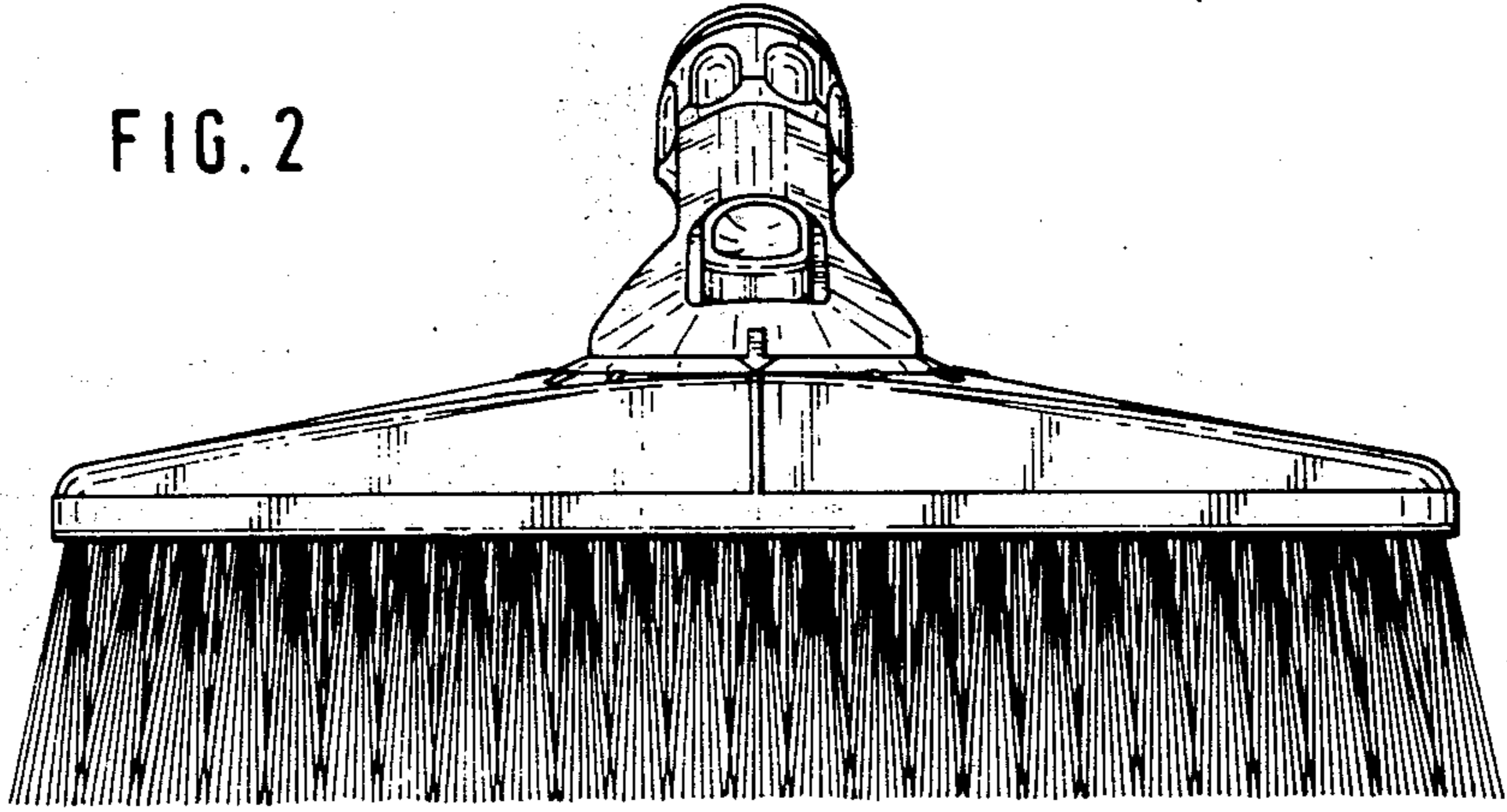
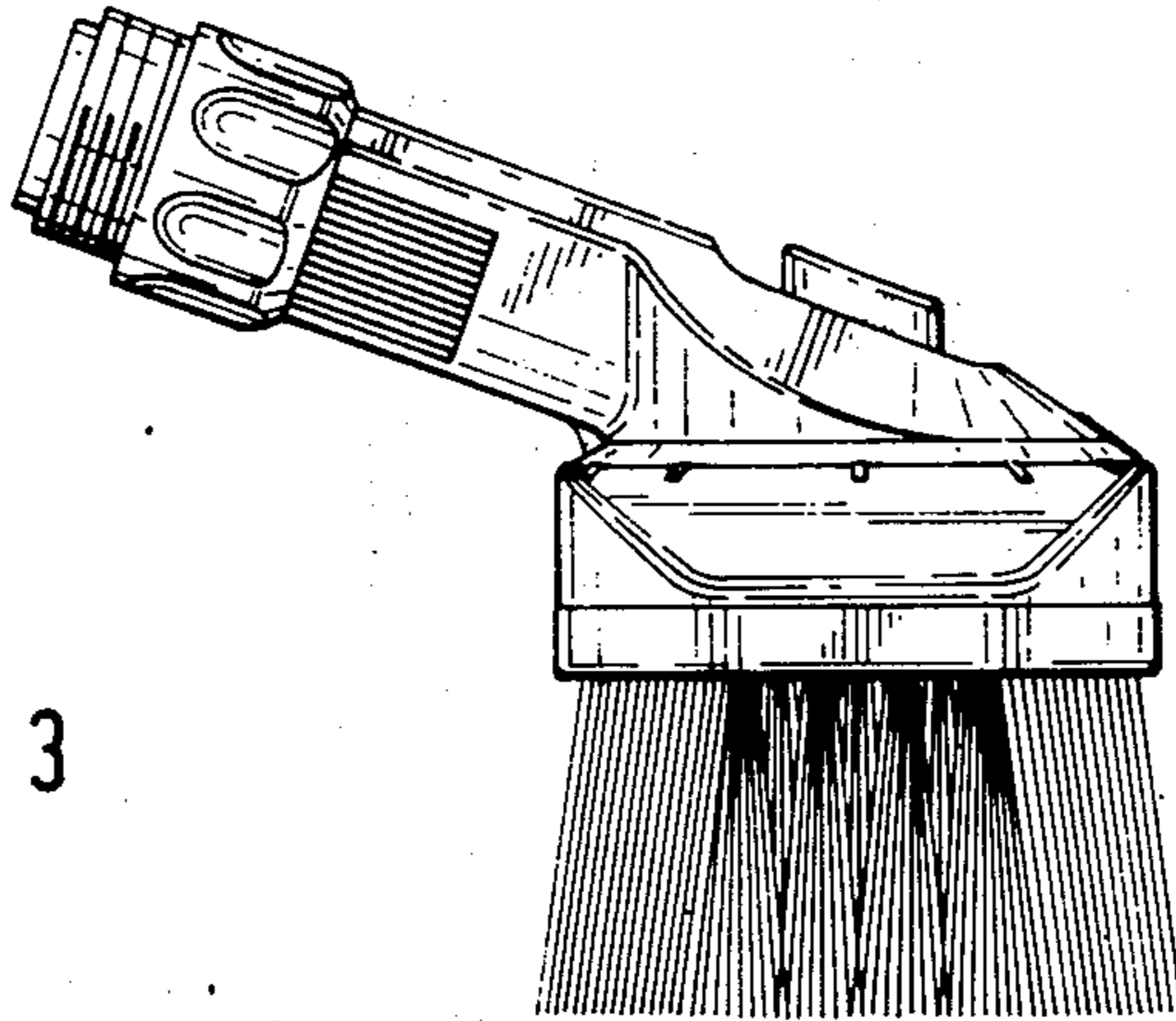


FIG. 3



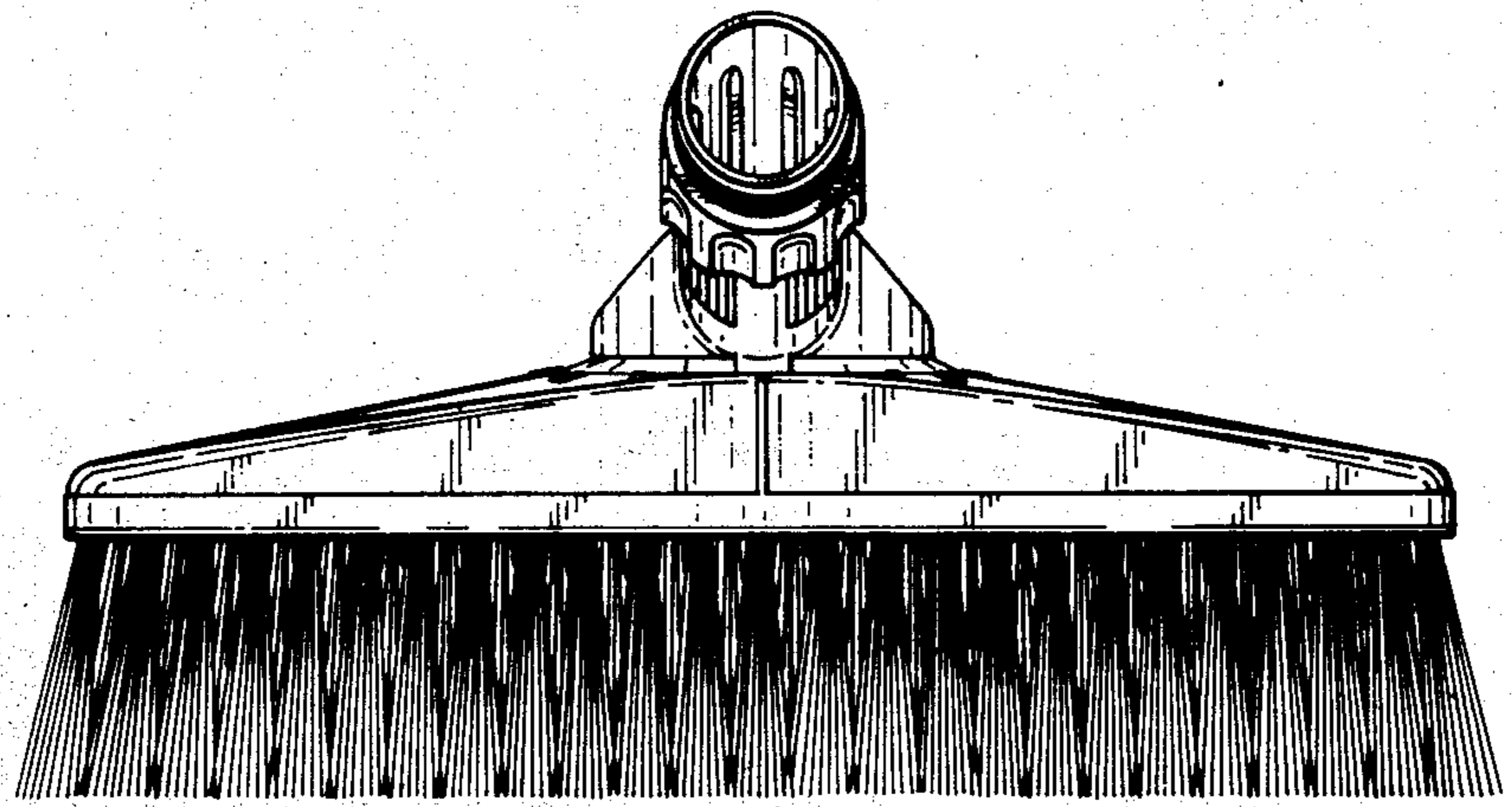


FIG. 4

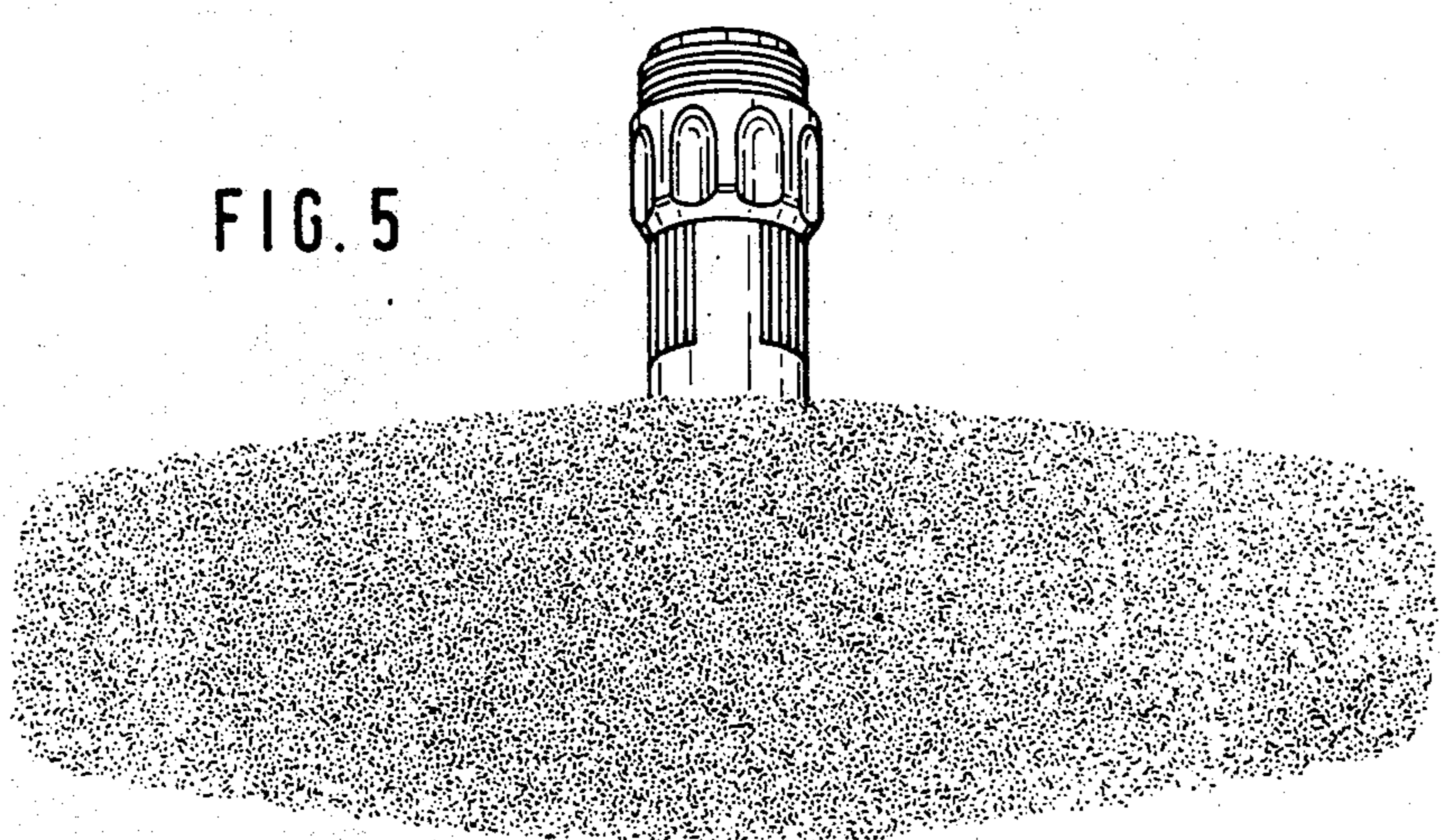


FIG. 5

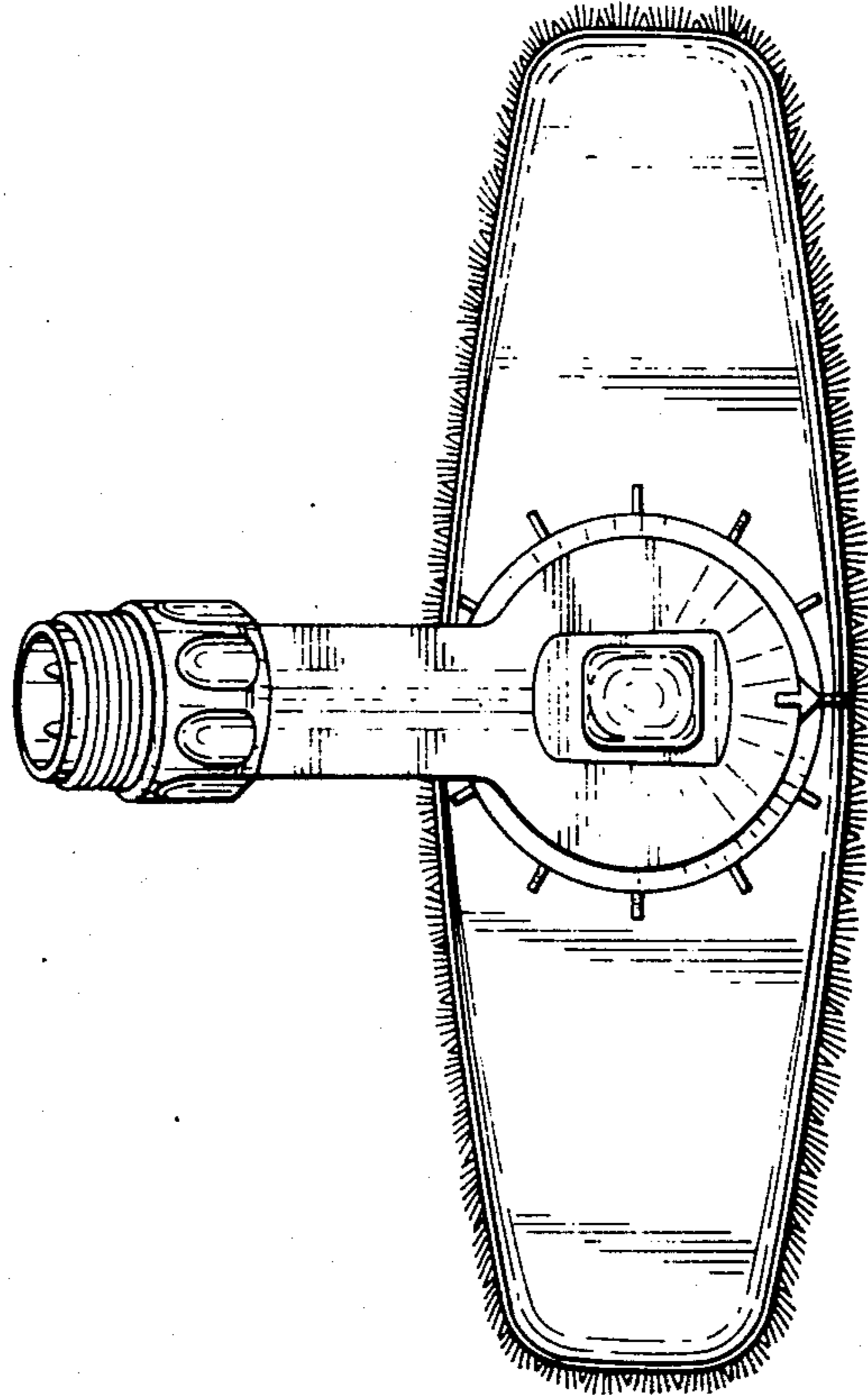


FIG. 6

FIG. 7

