

[54] COMBINED IRON AND BASE THEREFOR

[75] Inventors: Ronald E. Babros, West Bend, Wis.; William C. Cesaroni, Glenview, Ill.

[73] Assignee: Dart Industries Inc., Northbrook, Ill.

[**] Term: 14 Years

[21] Appl. No.: 787,886

[22] Filed: Oct. 16, 1985

[52] U.S. Cl. D32/68; D32/73; D32/70

[58] Field of Search D32/68-73; 38/69.74, 75, 77.1-77.9, 88, 94, 96, 142; 219/245-259, 271-276

[56] References Cited

U.S. PATENT DOCUMENTS

D. 214,753	7/1969	Schellens	D32/70
D. 240,997	8/1976	Julkenbeck	D32/70
D. 267,673	1/1983	Ernest et al.	D32/70
D. 268,216	3/1983	Levin	D32/70
D. 269,213	5/1983	Martin	D32/70
D. 283,932	5/1986	Dobson et al.	D32/68
2,234,347	3/1941	Lobstern	219/247 X

2,339,495	1/1944	McMann	219/247
2,461,264	2/1949	Fox	219/247
2,507,071	5/1950	Warner	219/247 X
2,524,161	10/1950	Carp	219/247
2,714,650	8/1955	Werner	219/247
2,820,877	1/1958	Oates, Jr.	219/247
3,398,260	8/1968	Martens	38/79 X
3,745,676	7/1973	Dikoff	38/96
3,760,149	9/1973	Harsanji	219/247

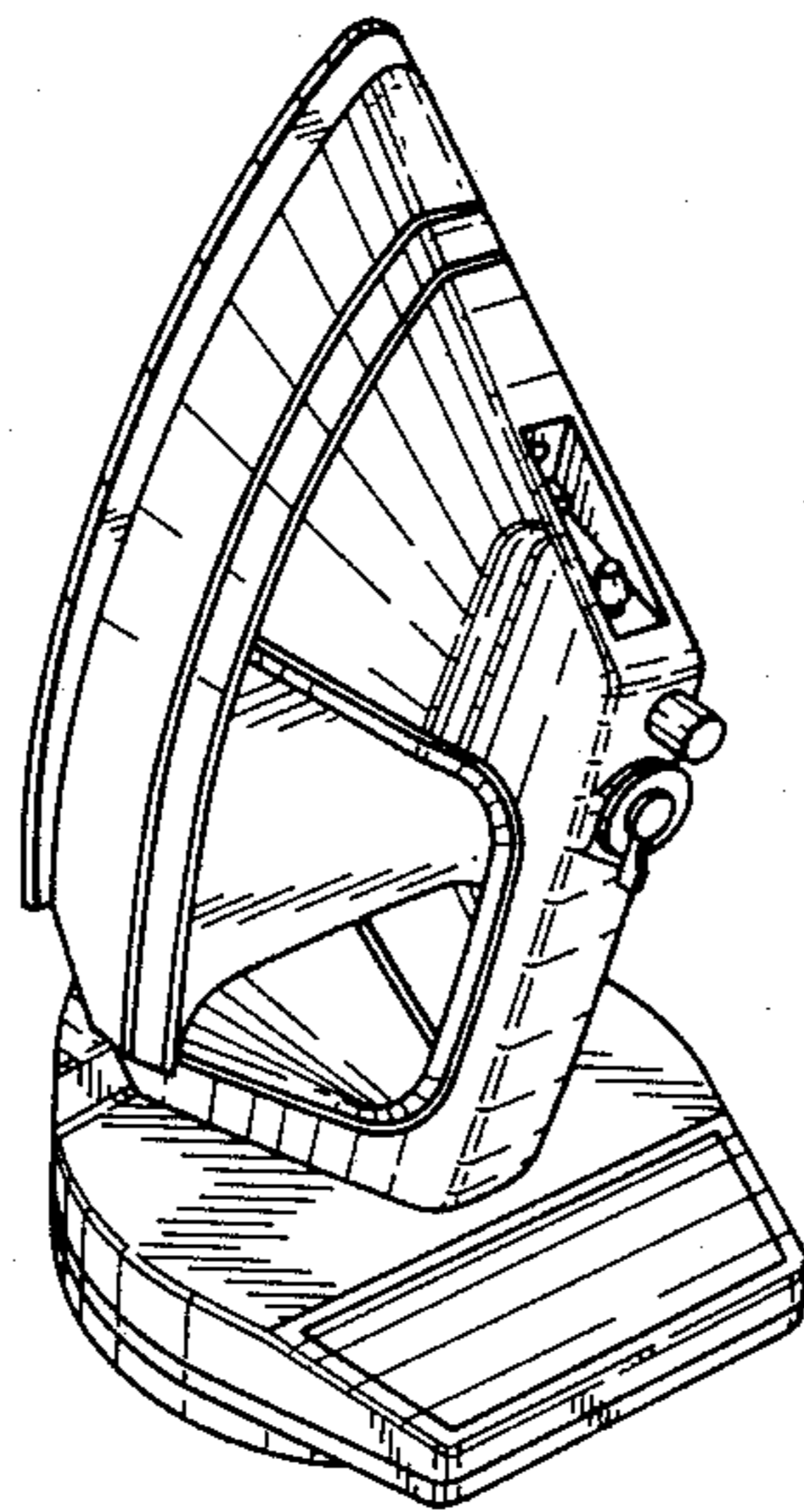
Primary Examiner—Catherine E. Kemper
Attorney, Agent, or Firm—Gregory J. Mancuso

[57] CLAIM

The ornamental design for a combined iron and base therefor, substantially as shown.

DESCRIPTION

FIG. 1 is a front perspective view of the combined iron and base therefor showing our new design; FIG. 2 is a side elevational view thereof, the opposite side being a mirror image thereof; FIG. 3 is a front elevational view thereof; FIG. 4 is a rear elevational view thereof; FIG. 5 is a top plan view thereof; FIG. 6 is a bottom plan view thereof.



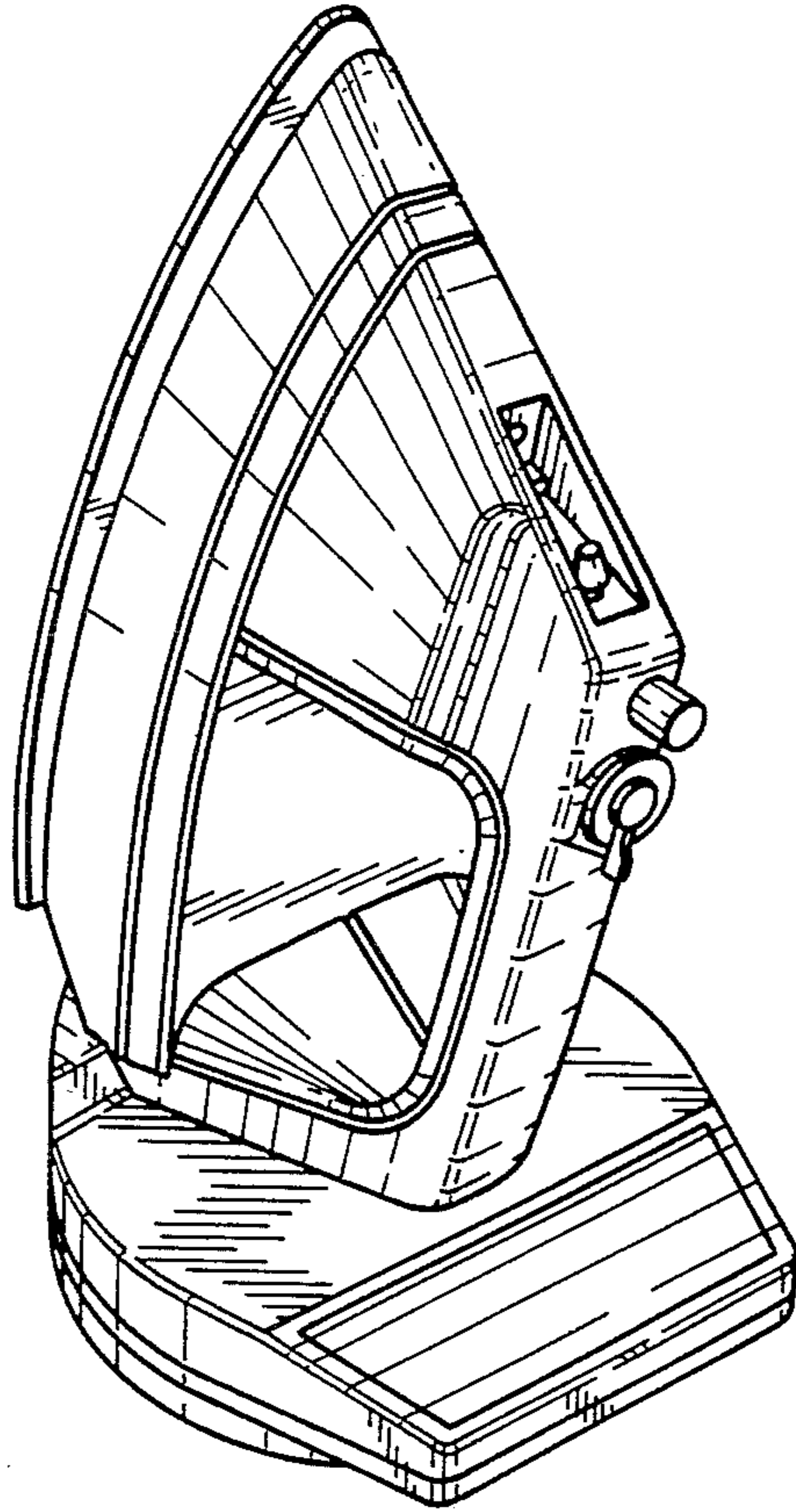


FIG. 1

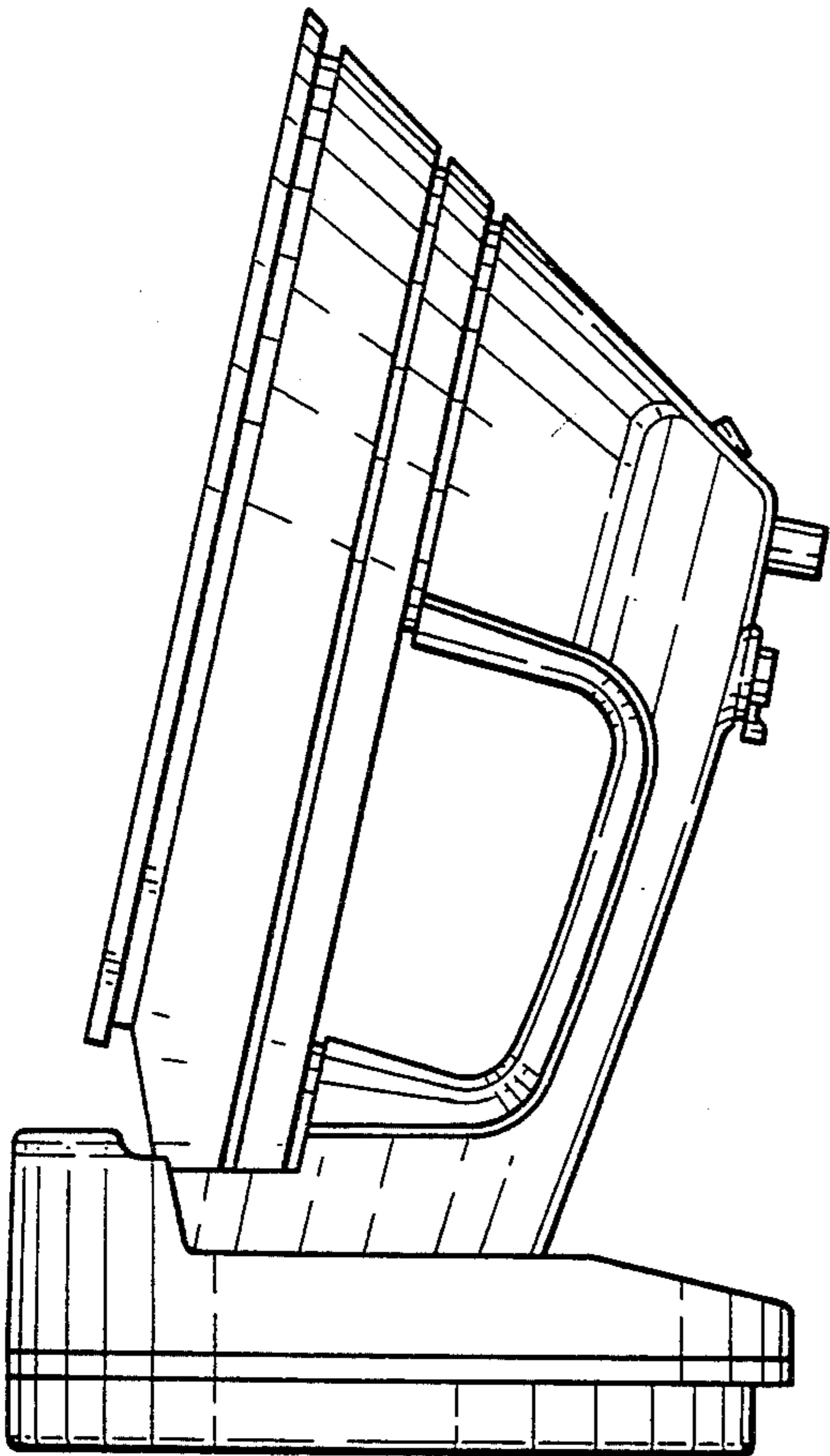


FIG. 2

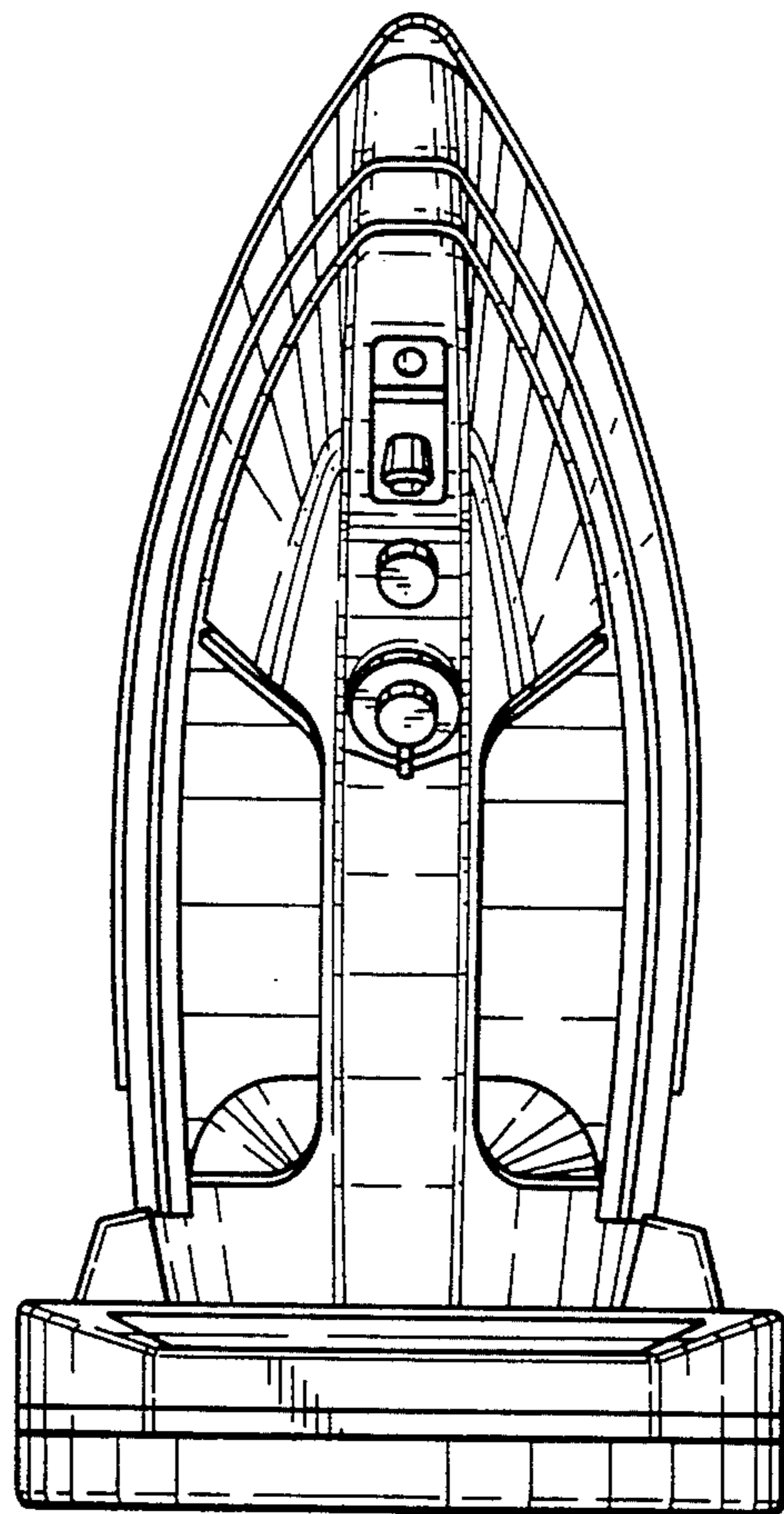


FIG. 3

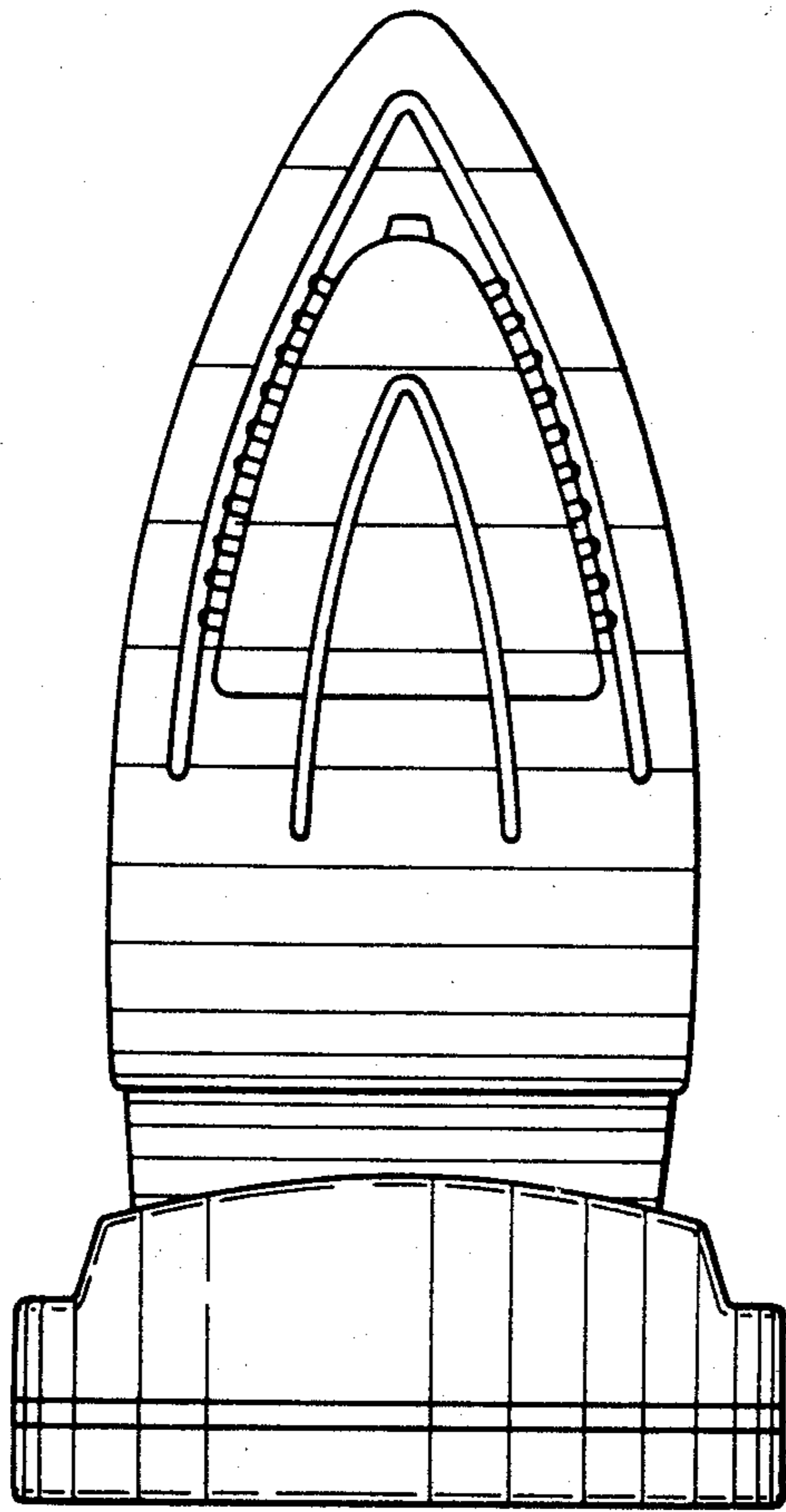


FIG. 4

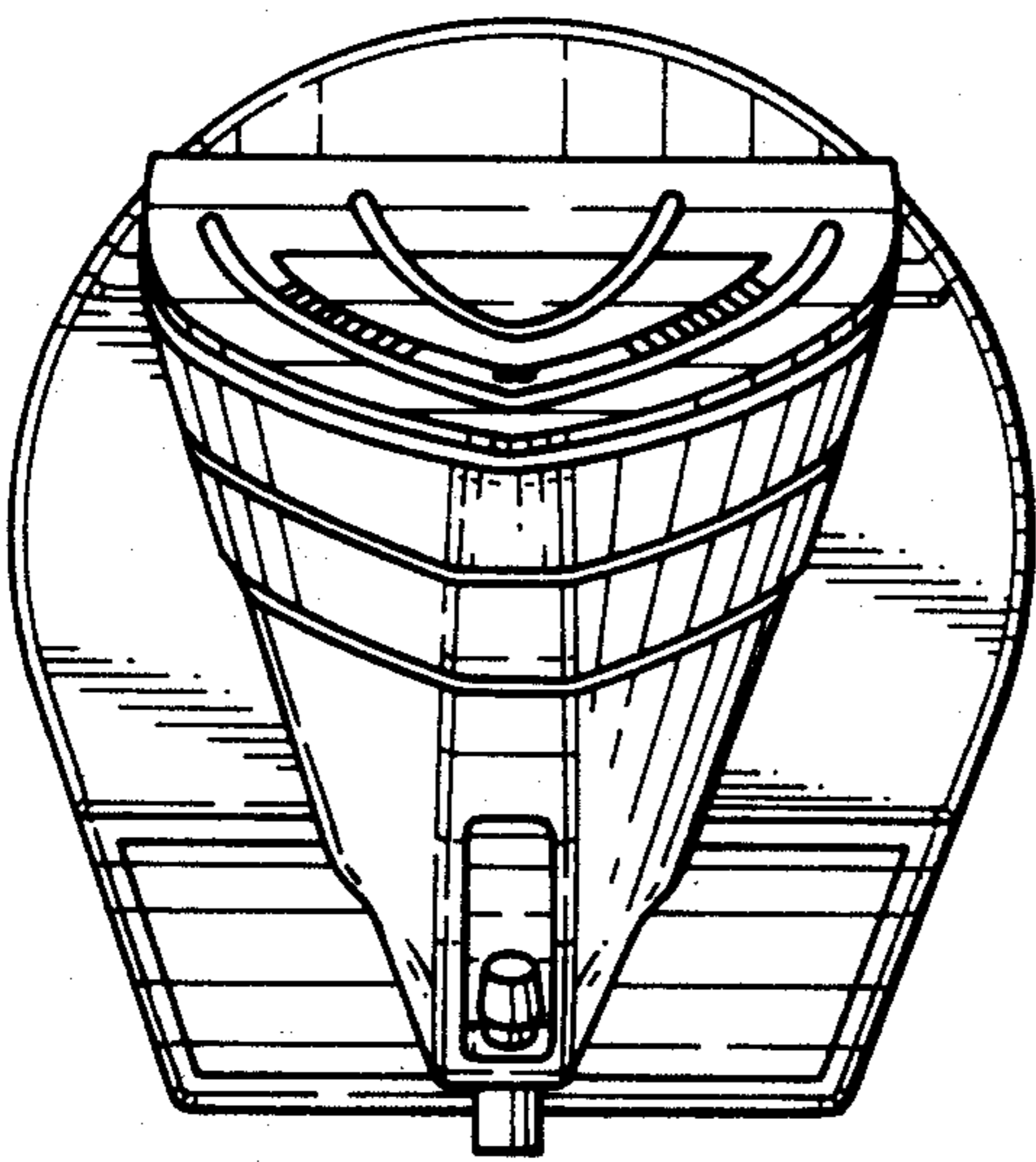


FIG. 5

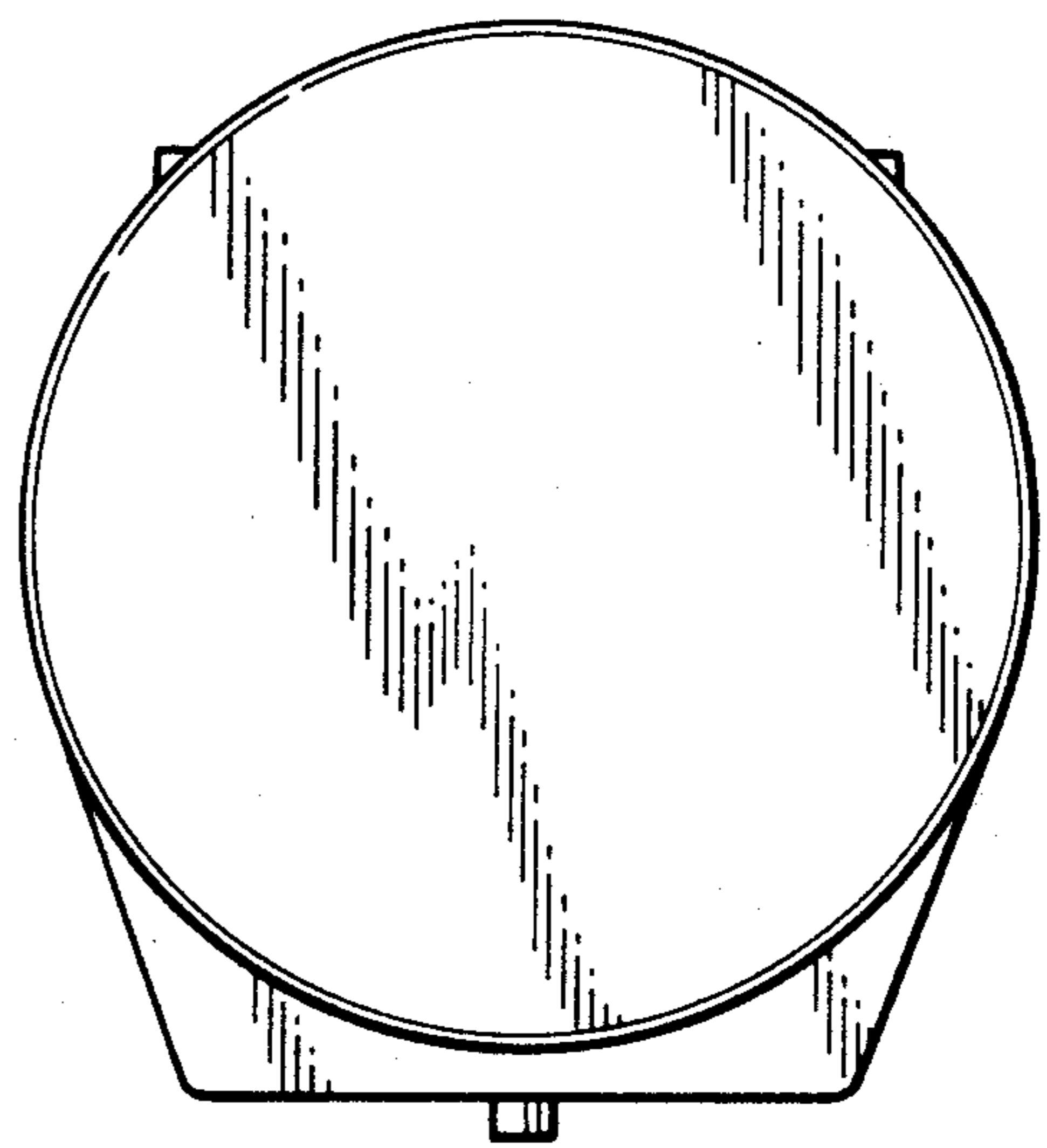


FIG. 6