

[54] VACUUM CLEANER

[75] Inventors: Isshin Miyamoto; Yasuo Nagamatsu; Toshiya Moriyama; Masaharu Sakamoto, all of Fukuoka, Japan

[73] Assignee: Matsushita Electric Industrial Co., Ltd., Osaka, Japan

[**] Term: 14 Years

[21] Appl. No.: 686,781

[22] Filed: Dec. 27, 1984

[30] Foreign Application Priority Data

Jun. 27, 1984 [JP] Japan 59-26464
[52] U.S. Cl. D32/22
[58] Field of Search D32/21-22, D32/25, 30-33; 15/320-321, 323, 329, 334, 344, 347, 350, 354, 373, 357, 412, 398-399, 415 R, 415 A, 416, 420-422, 143 R, 144, 79 A

[56] References Cited

U.S. PATENT DOCUMENTS

D. 280,033	8/1985	Miyamoto et al.	D32/22
2,473,066	6/1949	Miller	15/344
3,259,934	7/1966	Leinfelt	15/416

Primary Examiner—Wallace R. Burke
Assistant Examiner—Ruth E. Takemoto
Attorney, Agent, or Firm—Sughrue, Mion, Zinn, Macpeak & Seas

[57] CLAIM

The ornamental design for a vacuum cleaner, as shown.

DESCRIPTION

FIG. 1 is a perspective view showing the front, top and one side of our new design for a vacuum cleaner; FIG. 2 is a perspective view showing the rear, bottom and opposite side thereof; and FIG. 3 is a side elevational view thereof.

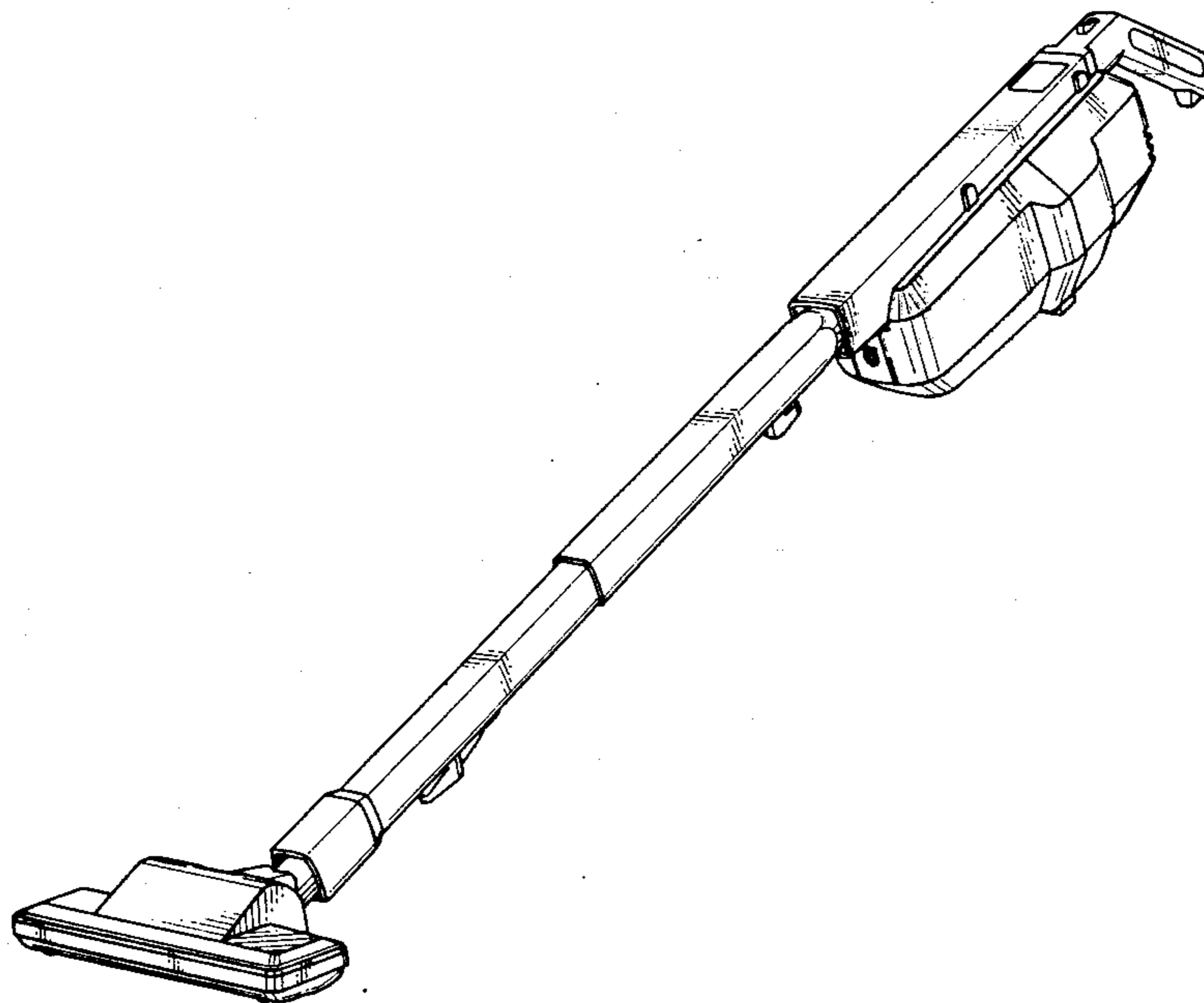


Fig. 1

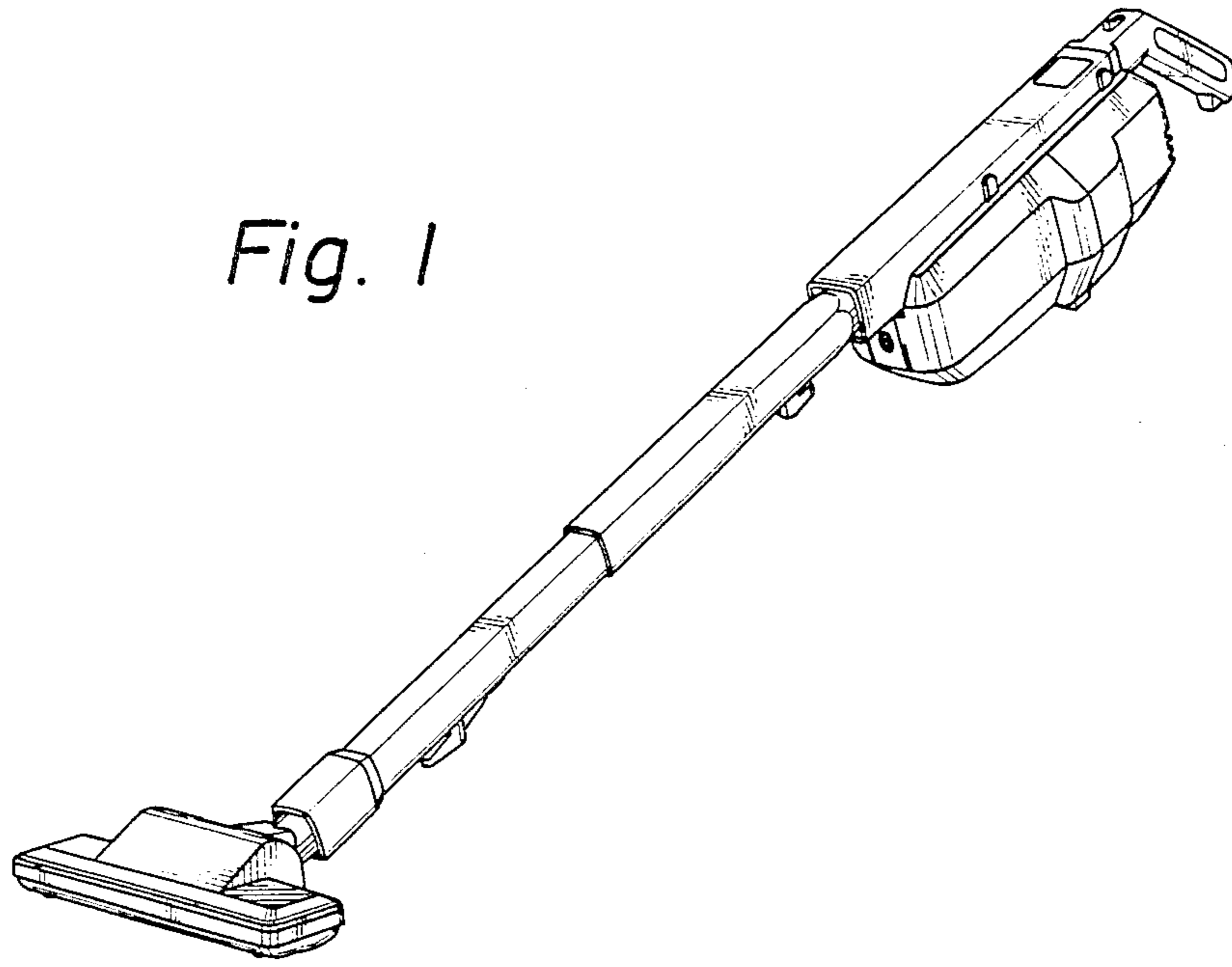


Fig. 2

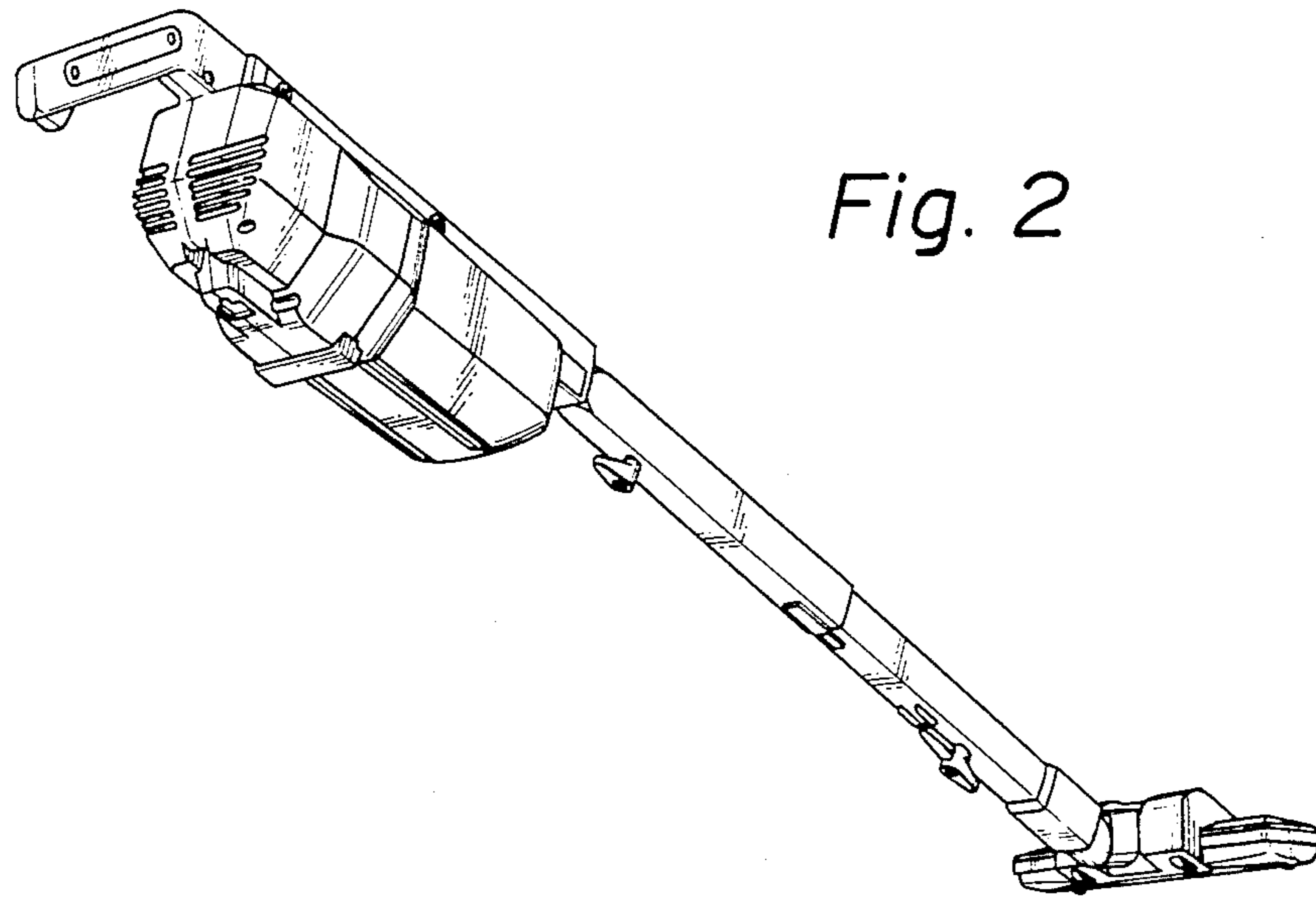


Fig. 3

