

[54] COMBINED FLOOR SCRUBBER AND MOP

[56]

References Cited

U.S. PATENT DOCUMENTS

[76] Inventor: Hans E. Slany, Mulbergerstrasse 90, D-7300 Esslingen/Neckar, Fed. Rep. of Germany

D. 189,124	11/1960	Keinhofer	D32/22
449,658	4/1891	Bagby	15/116 R
731,680	6/1903	Hart	15/116
3,946,457	3/1976	Robinson	15/119 R
4,485,518	12/1984	Kasper	15/339
4,557,012	12/1985	Knebel et al.	15/116 R

[**] Term: 14 Years

Primary Examiner—Wallace R. Burke
Assistant Examiner—Ruth E. Takemoto
Attorney, Agent, or Firm—Frishauf, Holtz, Goodman & Woodward

[21] Appl. No.: 671,549

[57]

CLAIM

[22] Filed: Nov. 15, 1984

The ornamental design for a combined floor scrubber and mop, as shown and described.

[30] Foreign Application Priority Data

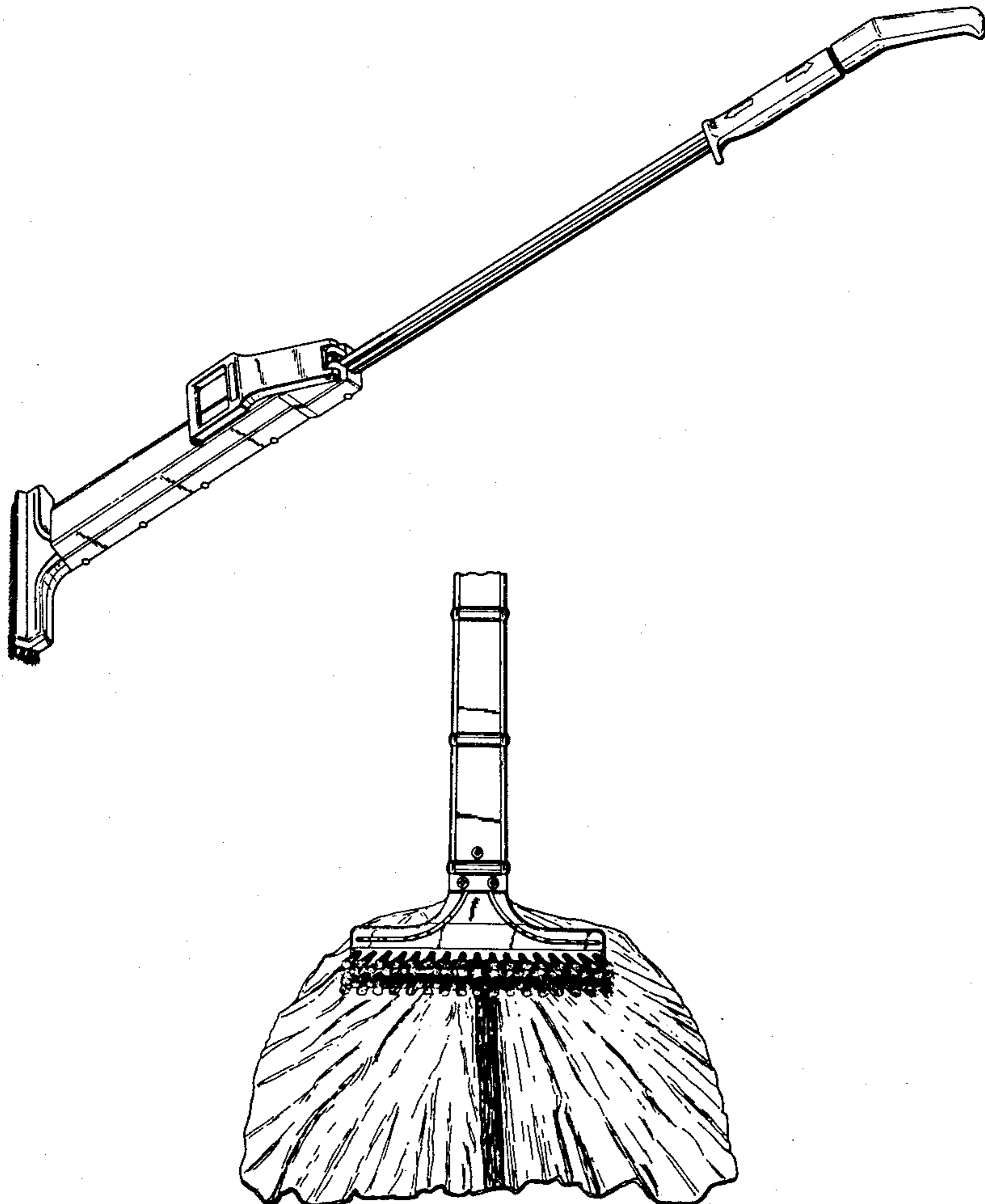
DESCRIPTION

May 24, 1984 [DE] Fed. Rep. of Germany ... 6 MR 1331

[52] U.S. Cl. D32/15; D32/50

[58] Field of Search D32/21, 22, 25, 30-33, D32/40, 42, 50-51; 15/320-321, 322, 329, 339, 344, 350, 354, 357, 415 R, 415 A, 420-422, 143 R, 144, 233, 114, 146, 79 A, 116 R, 117, 119 A, 119 R, 121, 118, 98, 146, 120 A, 373, 398-399, 105

FIG. 1 is a perspective view of a combined floor scrubber and mop showing my new design;
FIG. 2 is a front elevational view thereof;
FIG. 3 is a side elevational view thereof;
FIG. 4 is a rear elevational view thereof; and
FIG. 5 is a rear fragmentary view of the lower portion thereof with the cloth-like wiping member in an extended position.



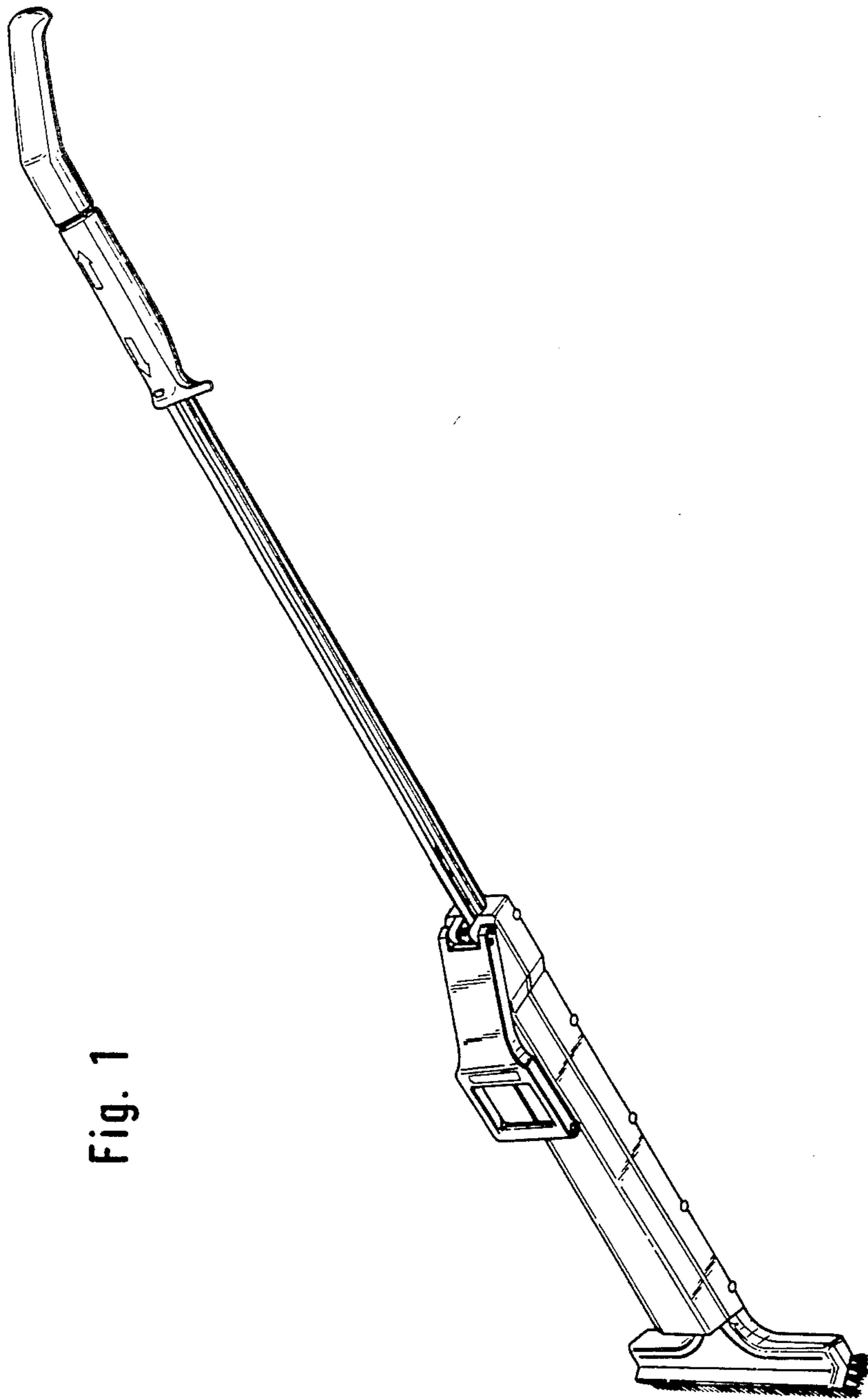
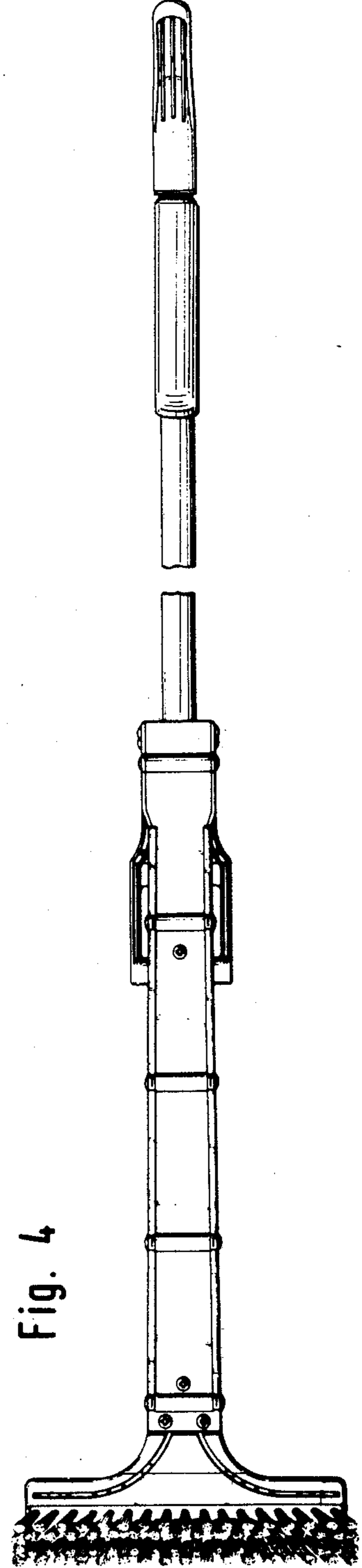
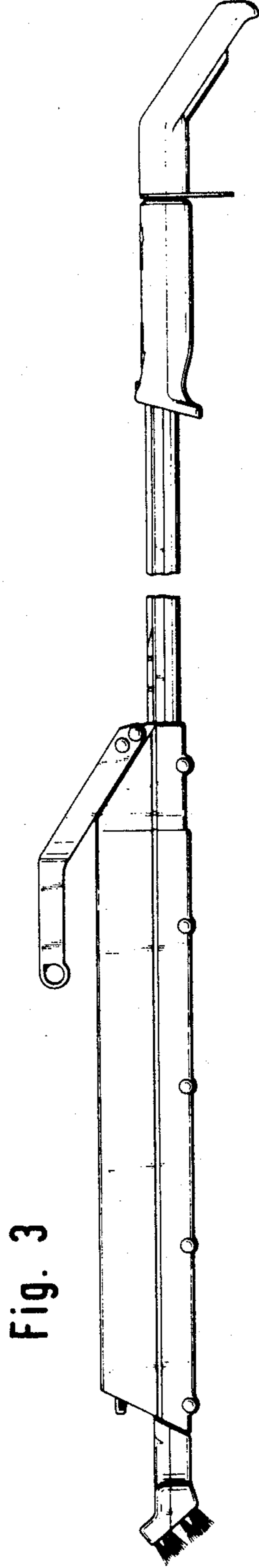
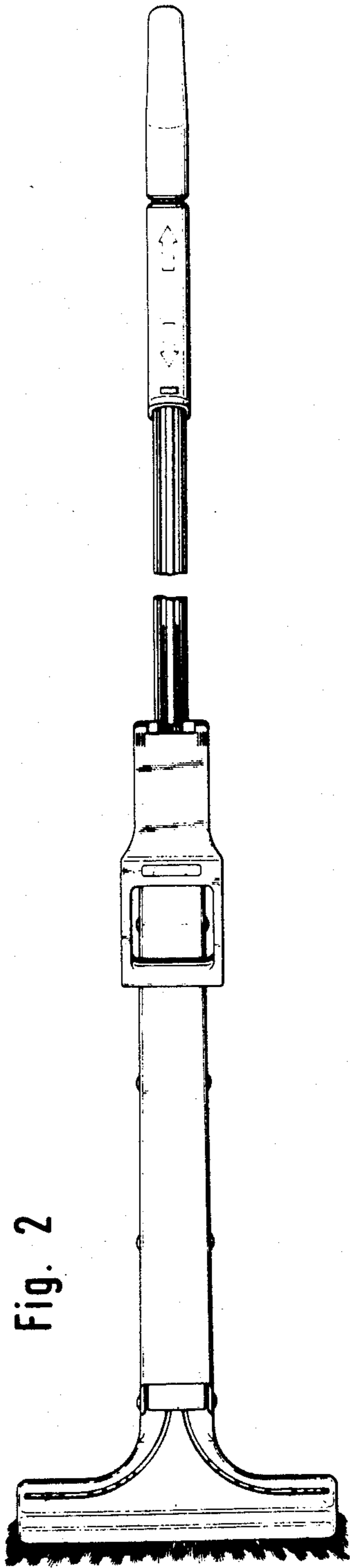


Fig. 1



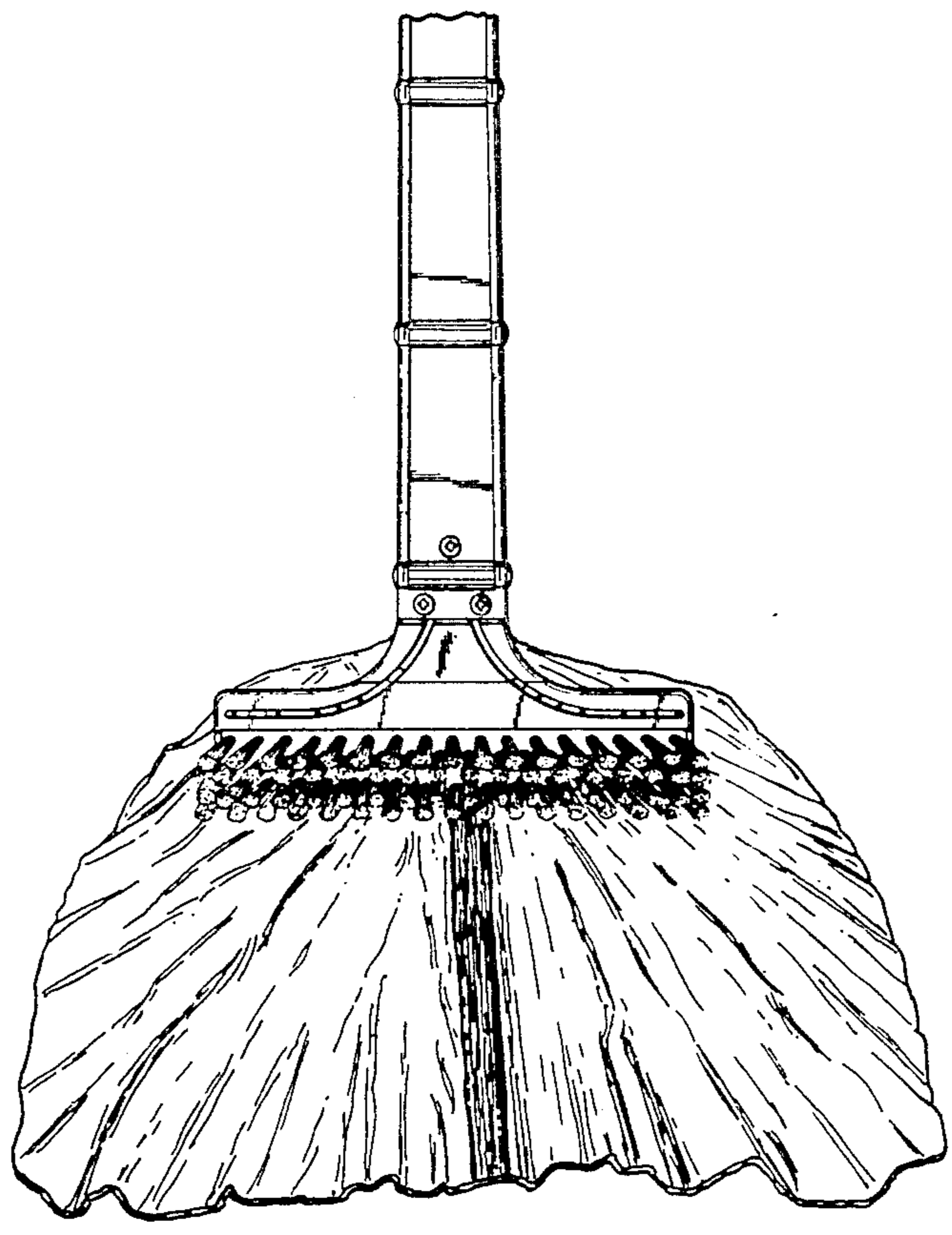


Fig.5