

[54] STEAM IRON

[75] Inventors: Franz A. Stützer; Michael Knöchner, both of Offenbach am Main, Fed. Rep. of Germany

[73] Assignee: Rowenta-Werke GmbH, Fed. Rep. of Germany

[\*\*] Term: 14 Years

[21] Appl. No.: 781,766

[22] Filed: Sep. 30, 1985

[30] Foreign Application Priority Data

Mar. 28, 1985 [DE] Fed. Rep. of Germany ..... 5 MR 10588

[52] U.S. Cl. .... D32/70

[58] Field of Search ..... D32/68-73; 38/69, 74, 75, 77.1-77.9, 88, 94, 96, 142; 219/245-259, 271-276

[56]

References Cited

U.S. PATENT DOCUMENTS

D. 240,997	8/1976	Julkenbeck	.....	D32/70
D. 262,771	1/1982	Hanson	.....	D32/70
D. 269,213	5/1983	Martin	.....	D32/70
D. 285,133	8/1986	Bluestein	.....	D32/70
D. 285,376	8/1986	Stutzer et al.	.....	D32/70
D. 286,215	10/1986	Pataki	.....	D32/70
D. 286,216	10/1986	Pataki	.....	D32/70
3,413,741	12/1968	Schwartz, Jr. et al.	.....	38/77.3
3,949,499	4/1976	Schaeffer et al.	.....	38/77.3
4,484,399	11/1984	Biancalani	.....	38/77.3

Primary Examiner—Catherine E. Kemper

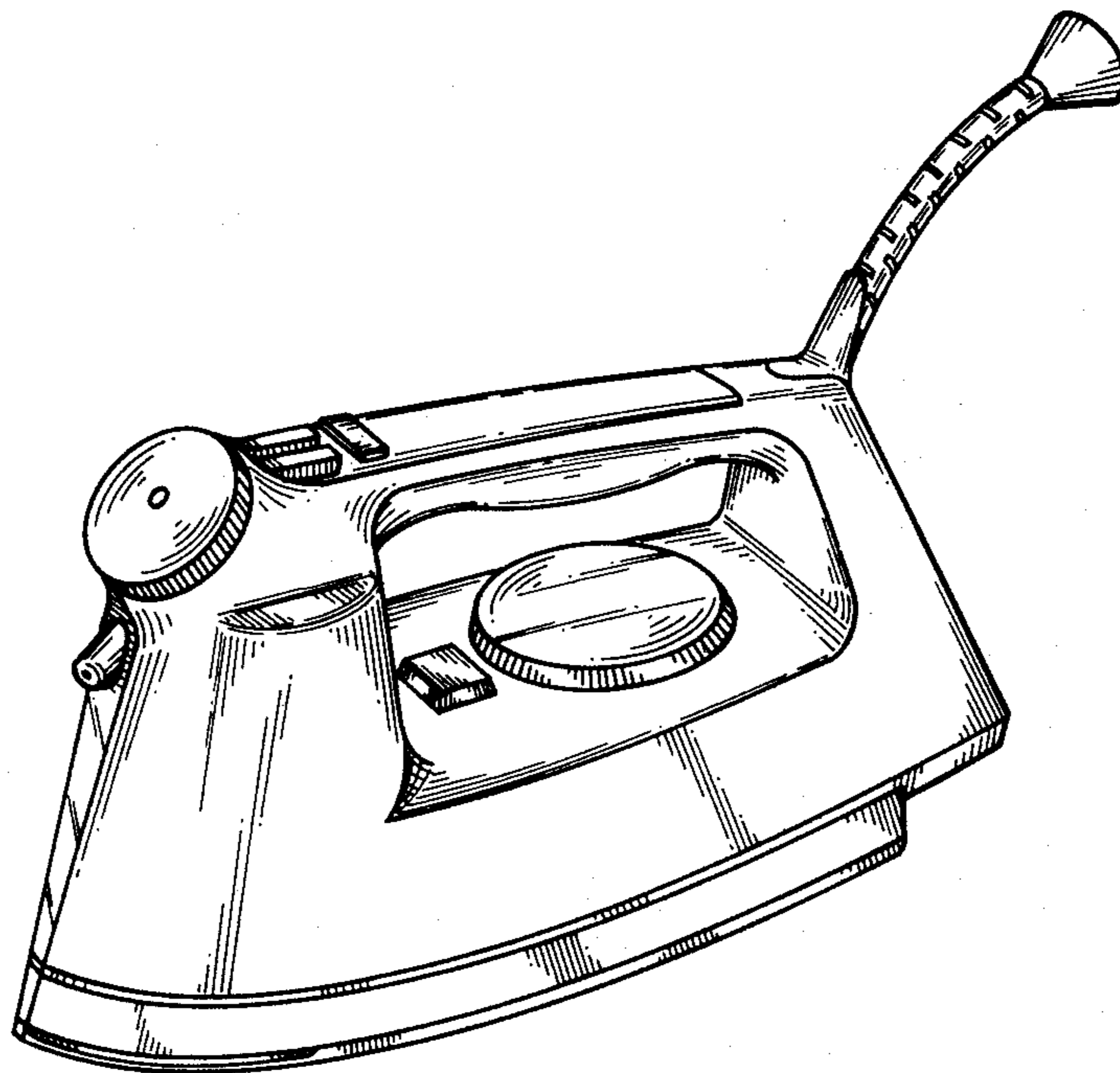
[57]

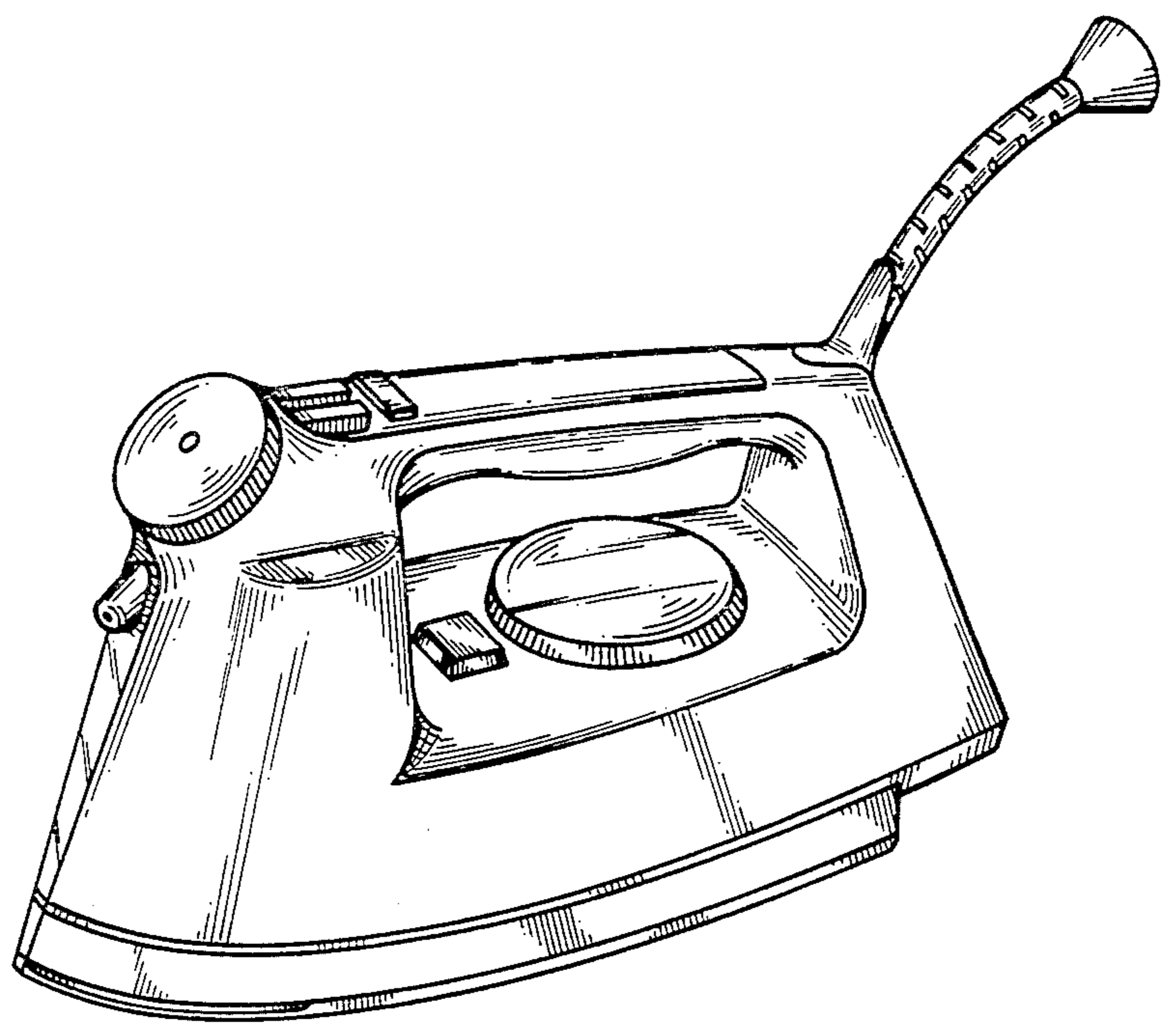
CLAIM

The ornamental design for a steam iron, as shown.

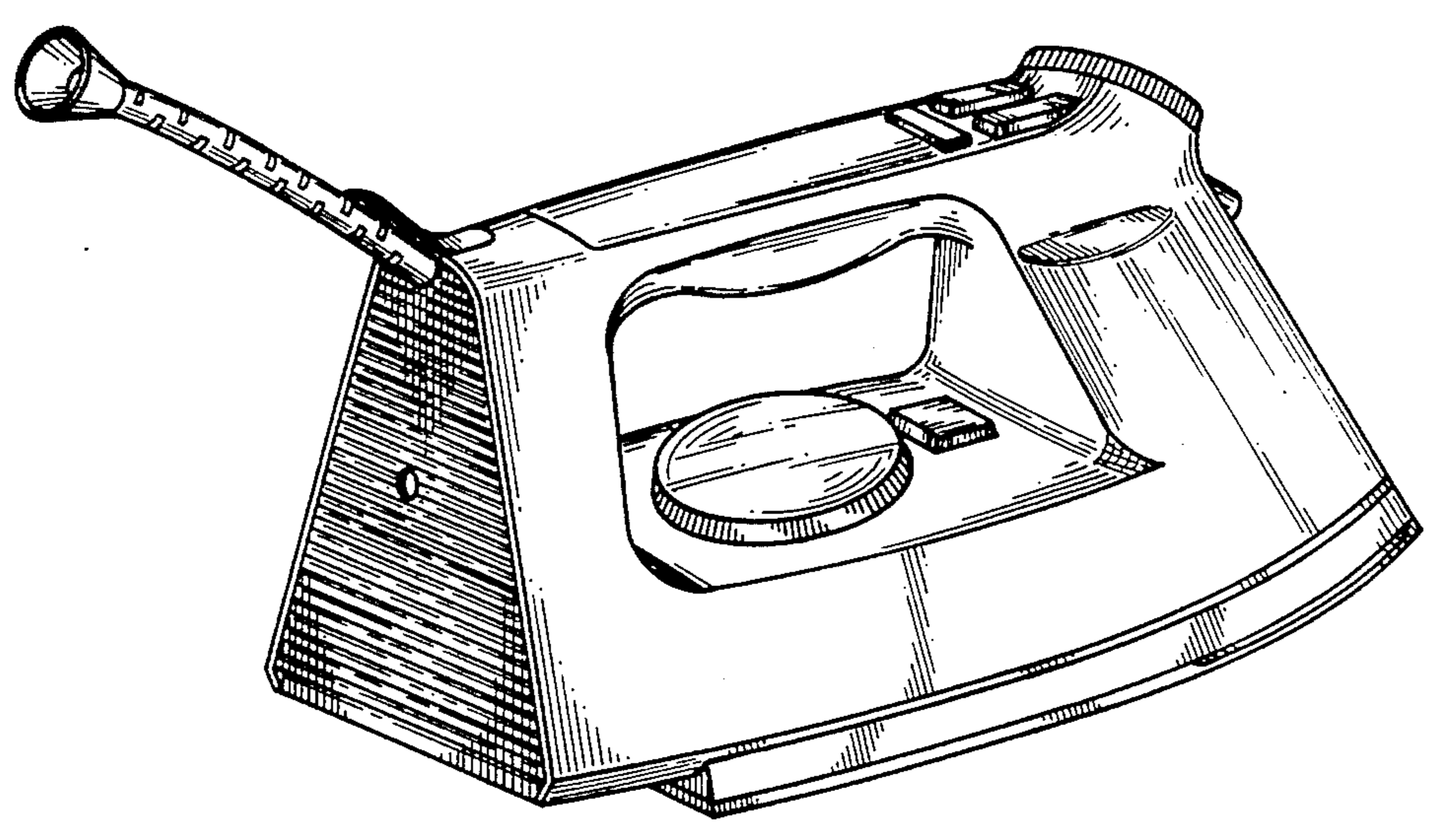
DESCRIPTION

FIG. 1 is a front perspective view of a steam iron showing my new design;  
 FIG. 2 is a rear perspective thereof;  
 FIG. 3 is a right side elevational view thereof;  
 FIG. 4 is a left side elevational view thereof;  
 FIG. 5 is a top plan view thereof;  
 FIG. 6 is a front end elevational view thereof;  
 FIG. 7 is a rear end elevational view thereof; and  
 FIG. 8 is a bottom plan view thereof.

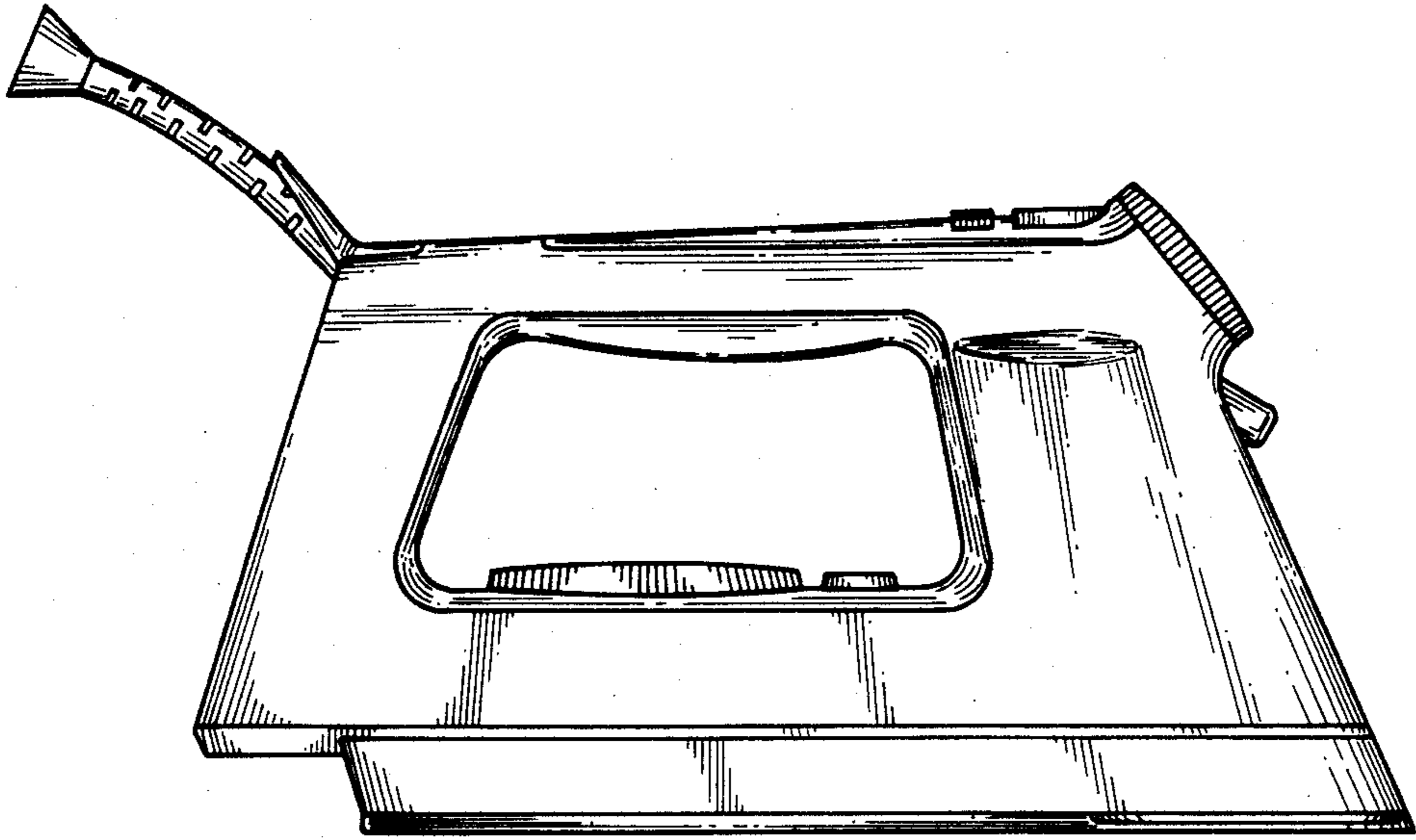




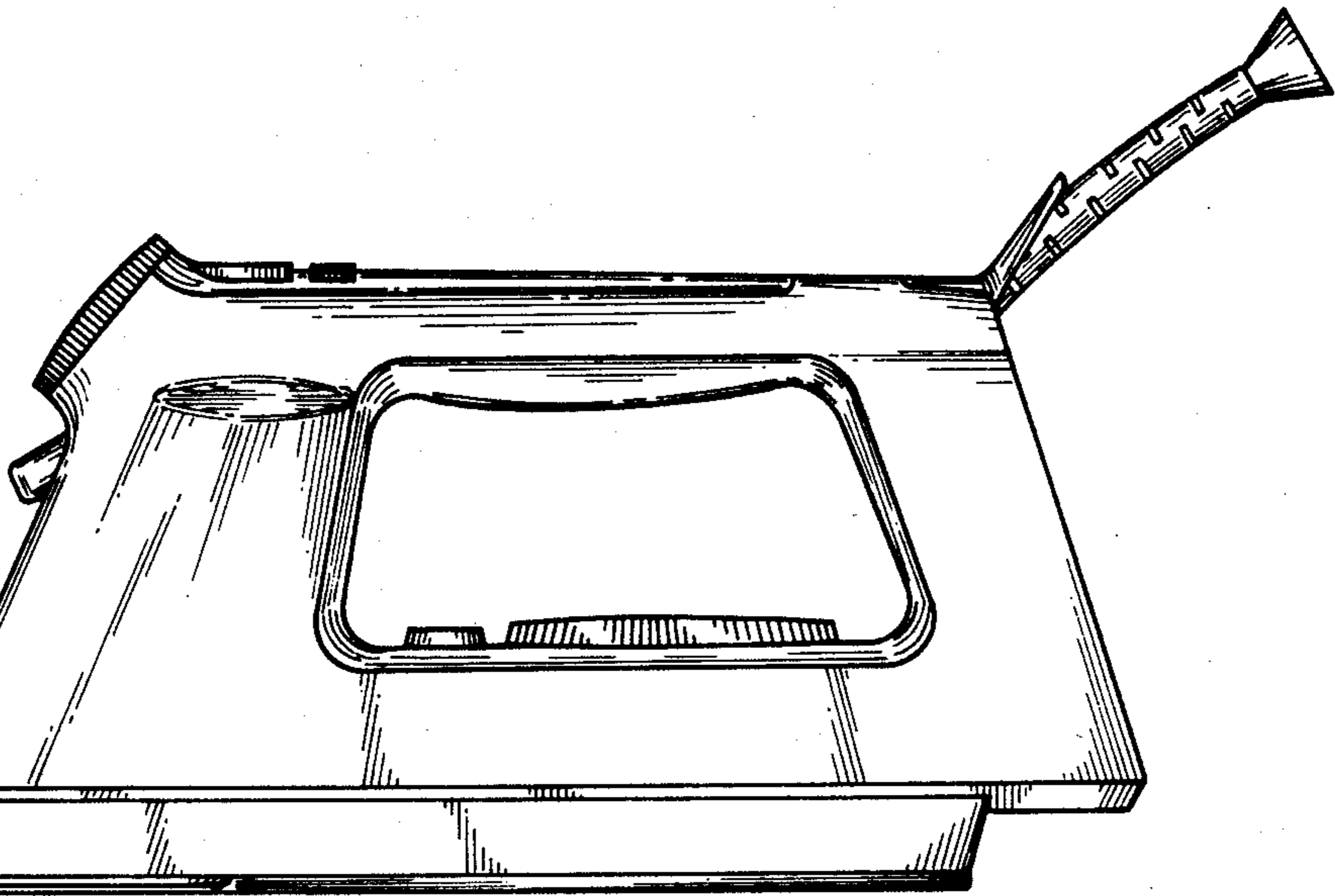
*Fig. 1*



*Fig. 2*

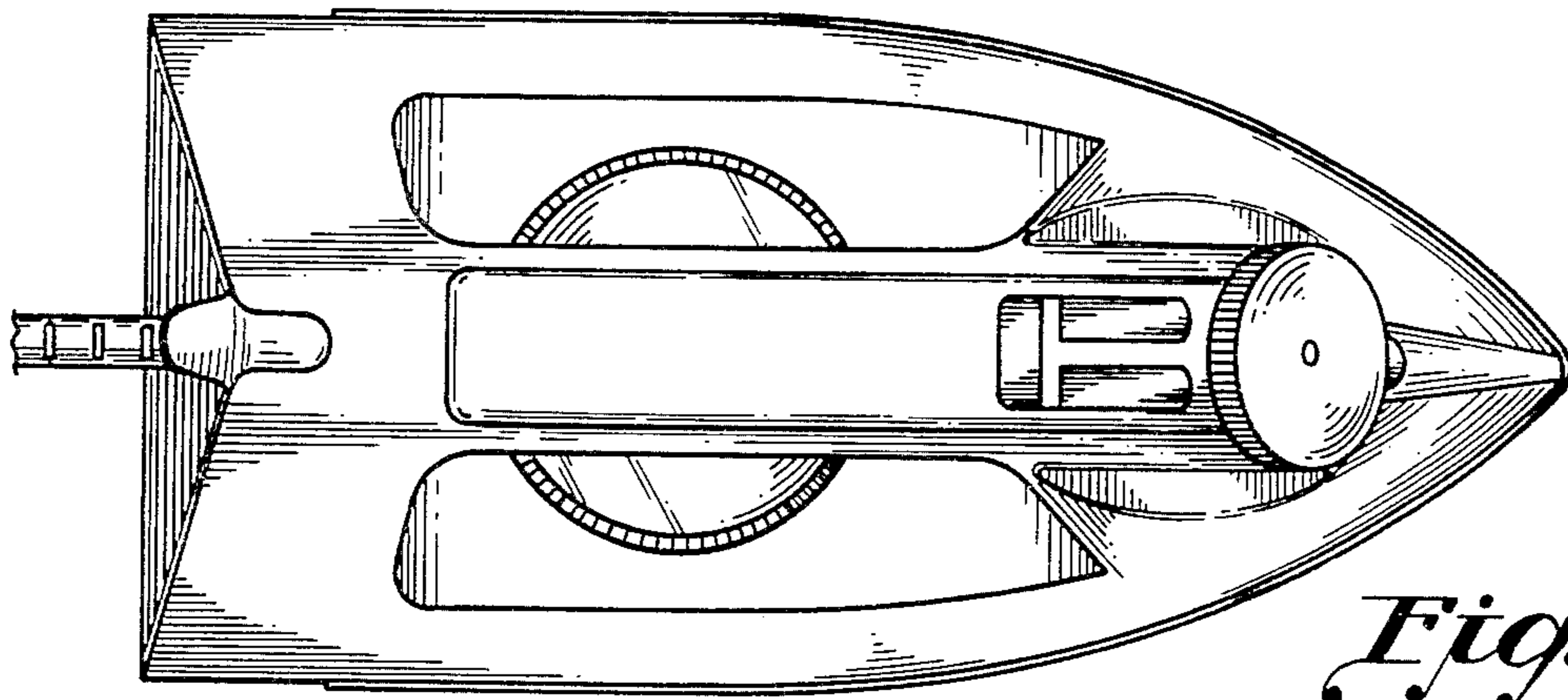


*Fig. 3*

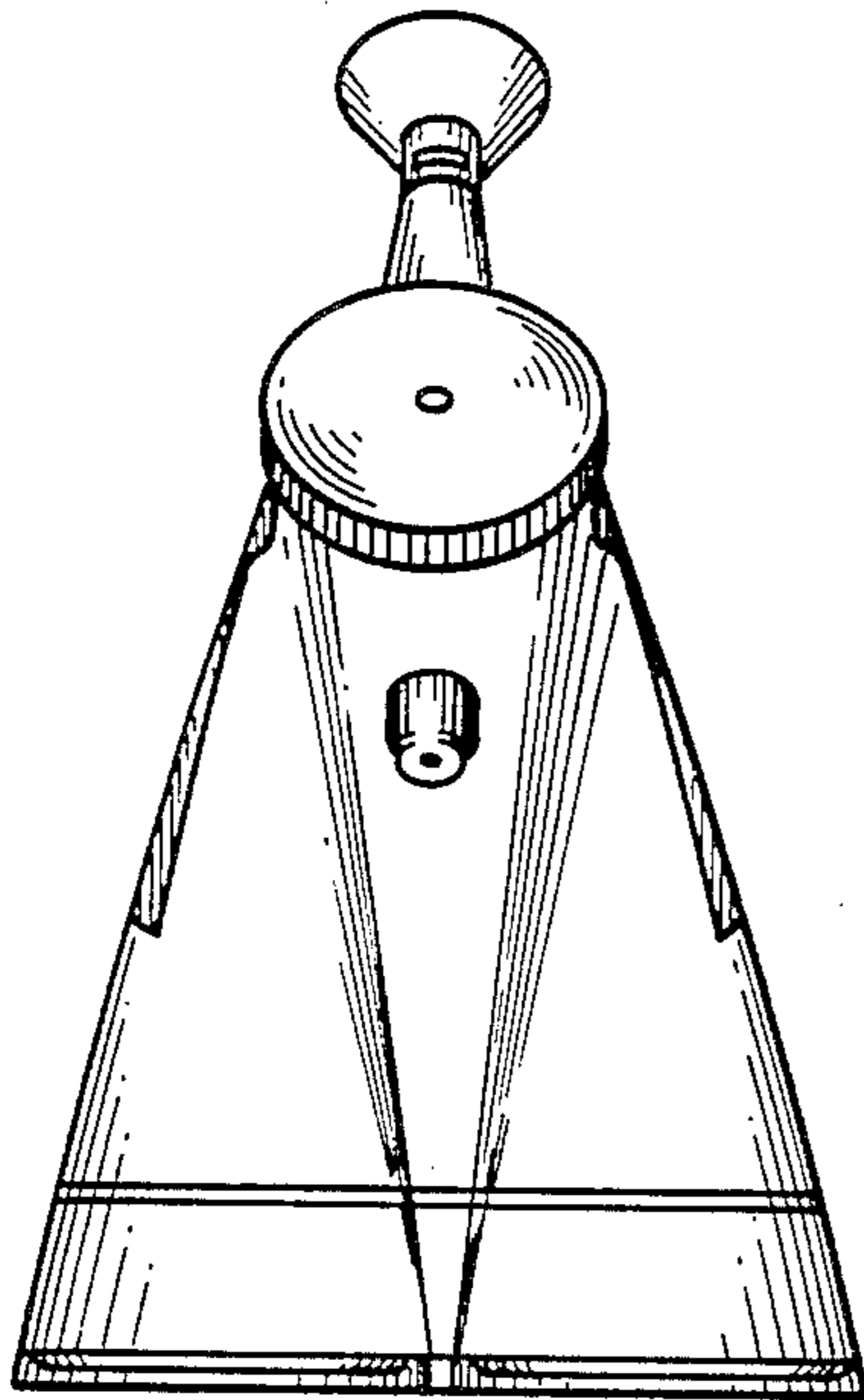


*Fig. 4*

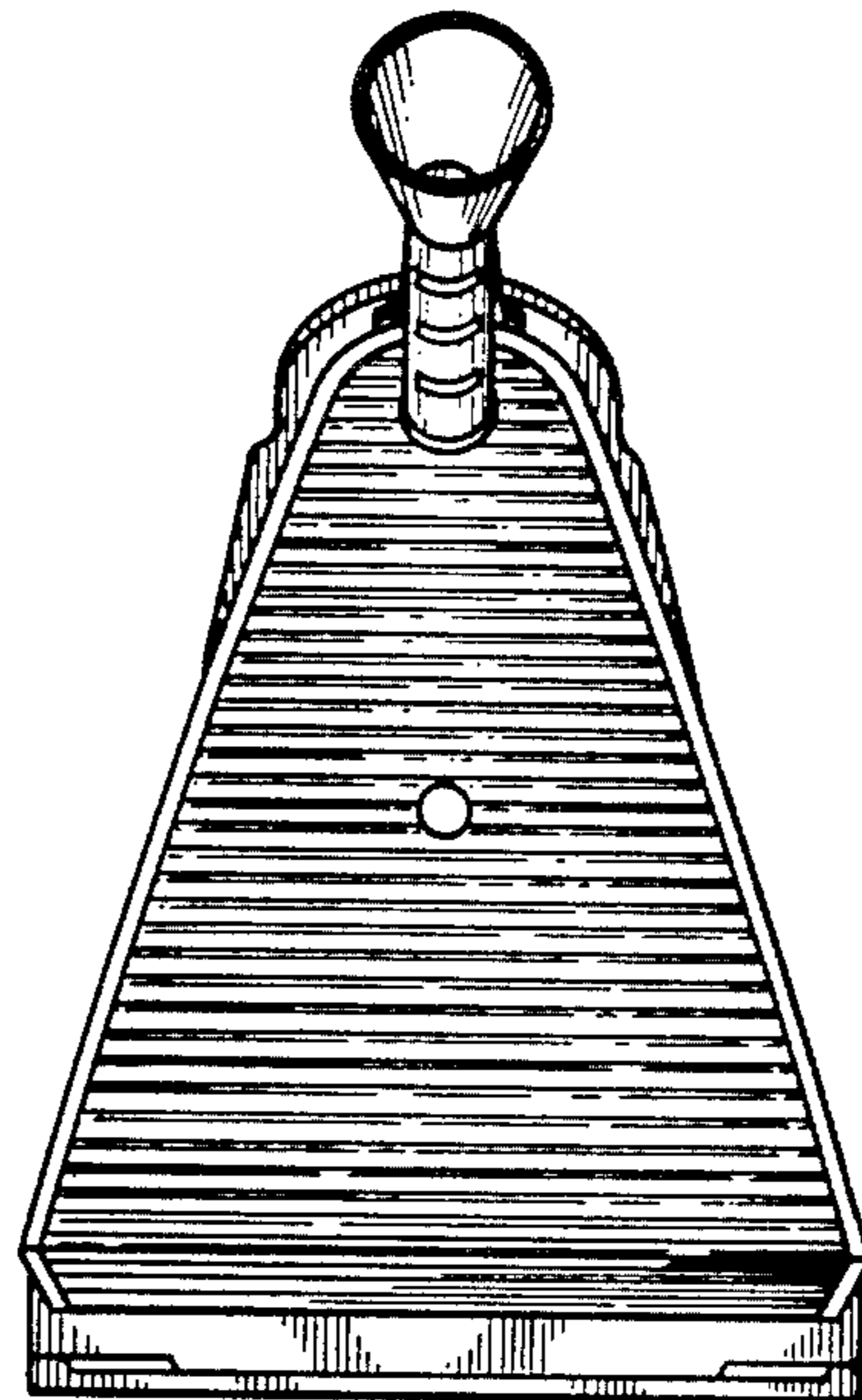




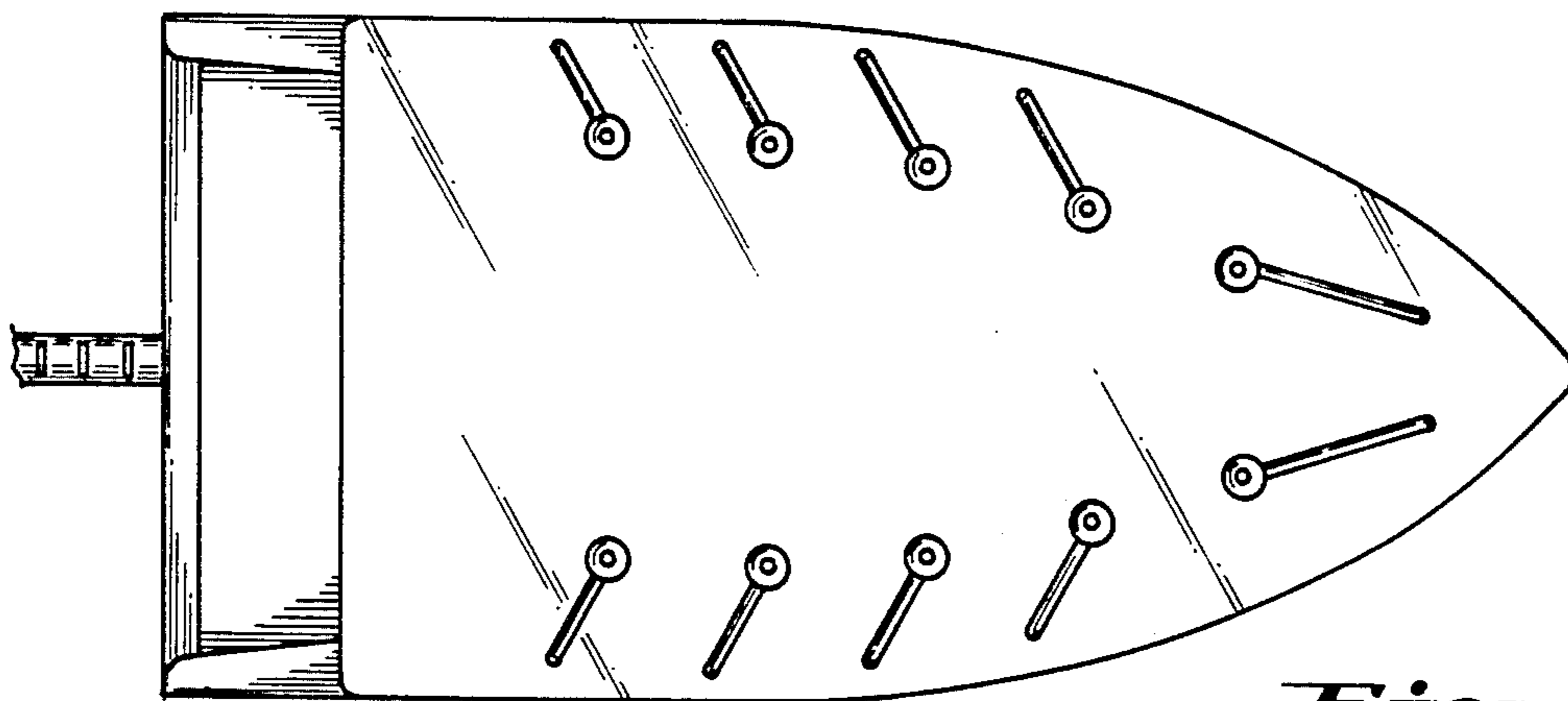
*Fig. 5*



*Fig. 6*



*Fig. 7*



*Fig. 8*