

- [54] ELECTRIC IRON
- [75] Inventors: Koichi Ueno; Nobuhiro Umehara; Osamu Otaki, all of Tokyo, Japan
- [73] Assignees: Kabushiki Kaisha Toshiba, Kawasaki; Toshiba Heating Appliances Co., Ltd., Kamo, both of Japan
- [**] Term: 14 Years
- [21] Appl. No.: 792,862
- [22] Filed: Oct. 30, 1985
- [30] Foreign Application Priority Data
 - Jul. 15, 1985 [JP] Japan 60-29912
- [52] U.S. Cl. D32/70
- [58] Field of Search D32/68-73; 38/69, 74, 75, 77.1-77.9, 88, 94, 96, 142; 219/245-259, 271-276

- D. 285,376 8/1986 Stutzer et al. D32/70
- D. 286,215 10/1986 Pataki D32/70
- D. 286,216 10/1986 Pataki D32/70

FOREIGN PATENT DOCUMENTS

- 531655 5/1980 Japan .
- 604214 7/1983 Japan .
- 6042142 7/1983 Japan .

Primary Examiner—Catherine E. Kemper
Attorney, Agent, or Firm—Banner, Birch, McKie & Beckett

[57] CLAIM

The ornamental design for an electric iron, as shown and described.

DESCRIPTION

FIG. 1 is a front, right side and top perspective view of an electric iron showing our new design, FIG. 2 is a right side elevational view thereof, FIG. 3 is a left side elevational view thereof, FIG. 4 is a top plan view thereof, FIG. 5 is a bottom plan view thereof, FIG. 6 is a front elevational view thereof, FIG. 7 is a rear elevational view thereof, and FIG. 8 is an exploded perspective view thereof.

- [56] References Cited
 - U.S. PATENT DOCUMENTS
 - D. 214,753 7/1969 Schellens D32/70
 - D. 240,997 8/1976 Julkenbeck D32/70
 - D. 268,216 3/1983 Levin D32/70
 - D. 269,213 5/1983 Martin D32/70

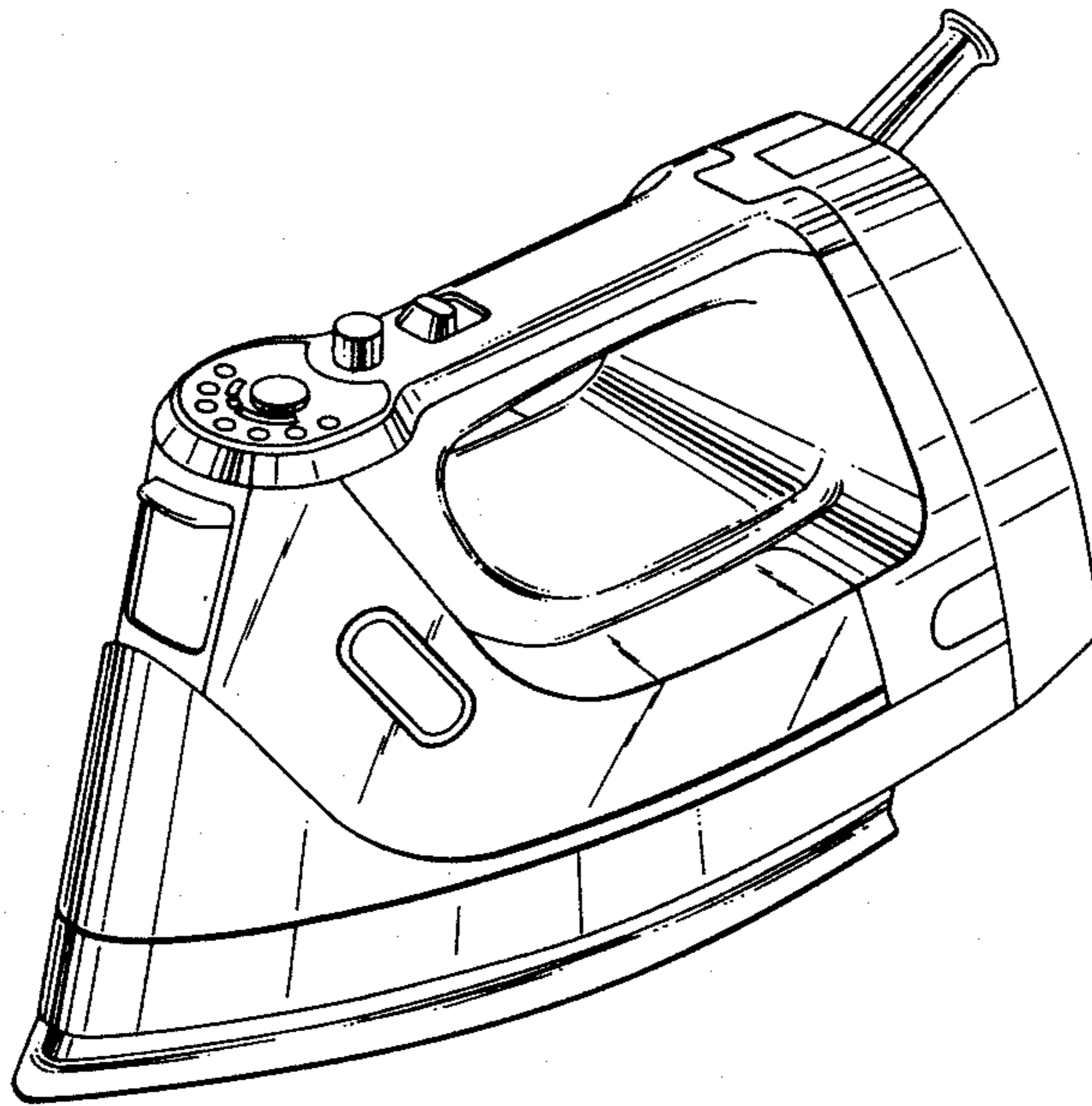


FIG. 1

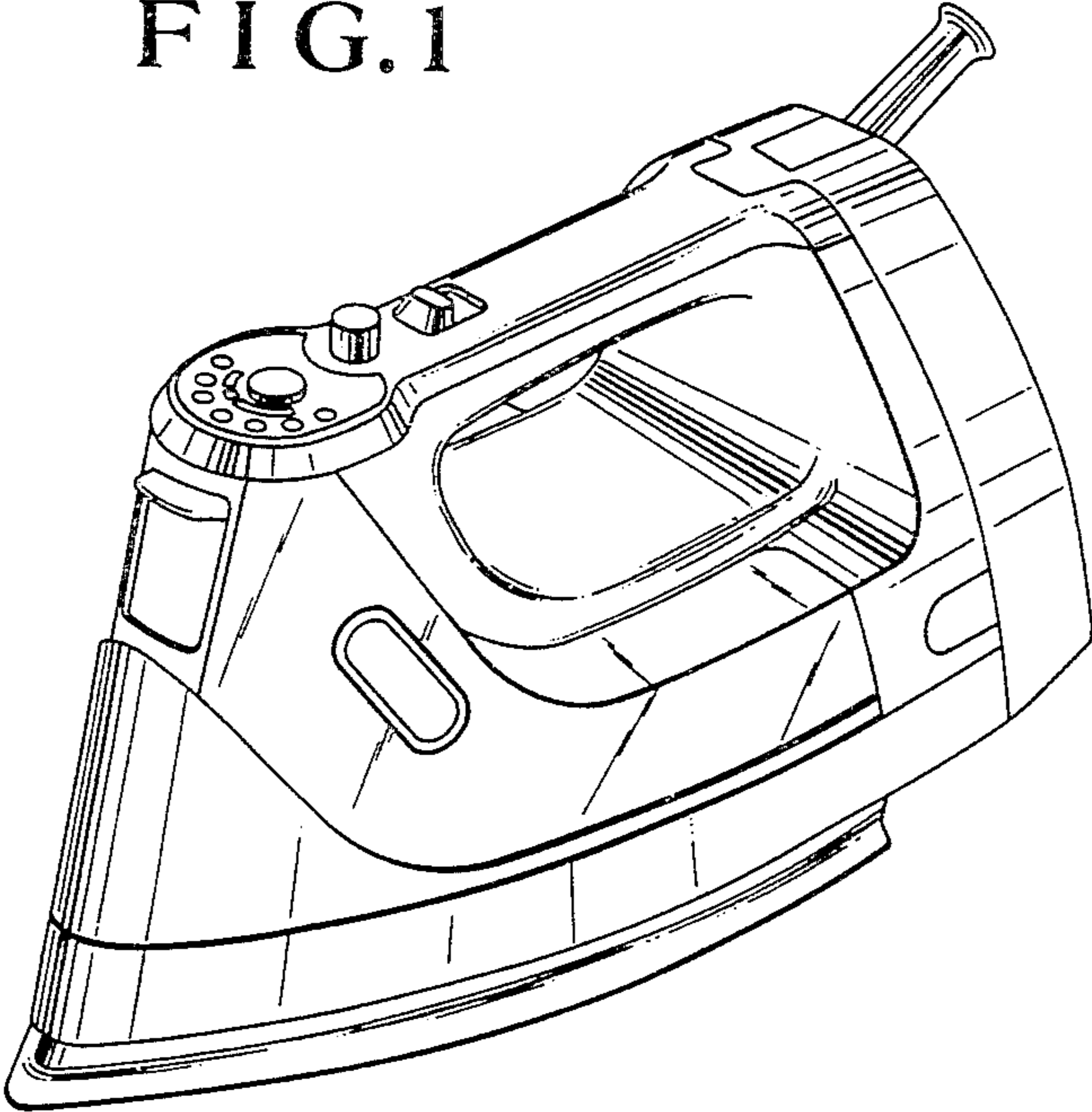


FIG. 2

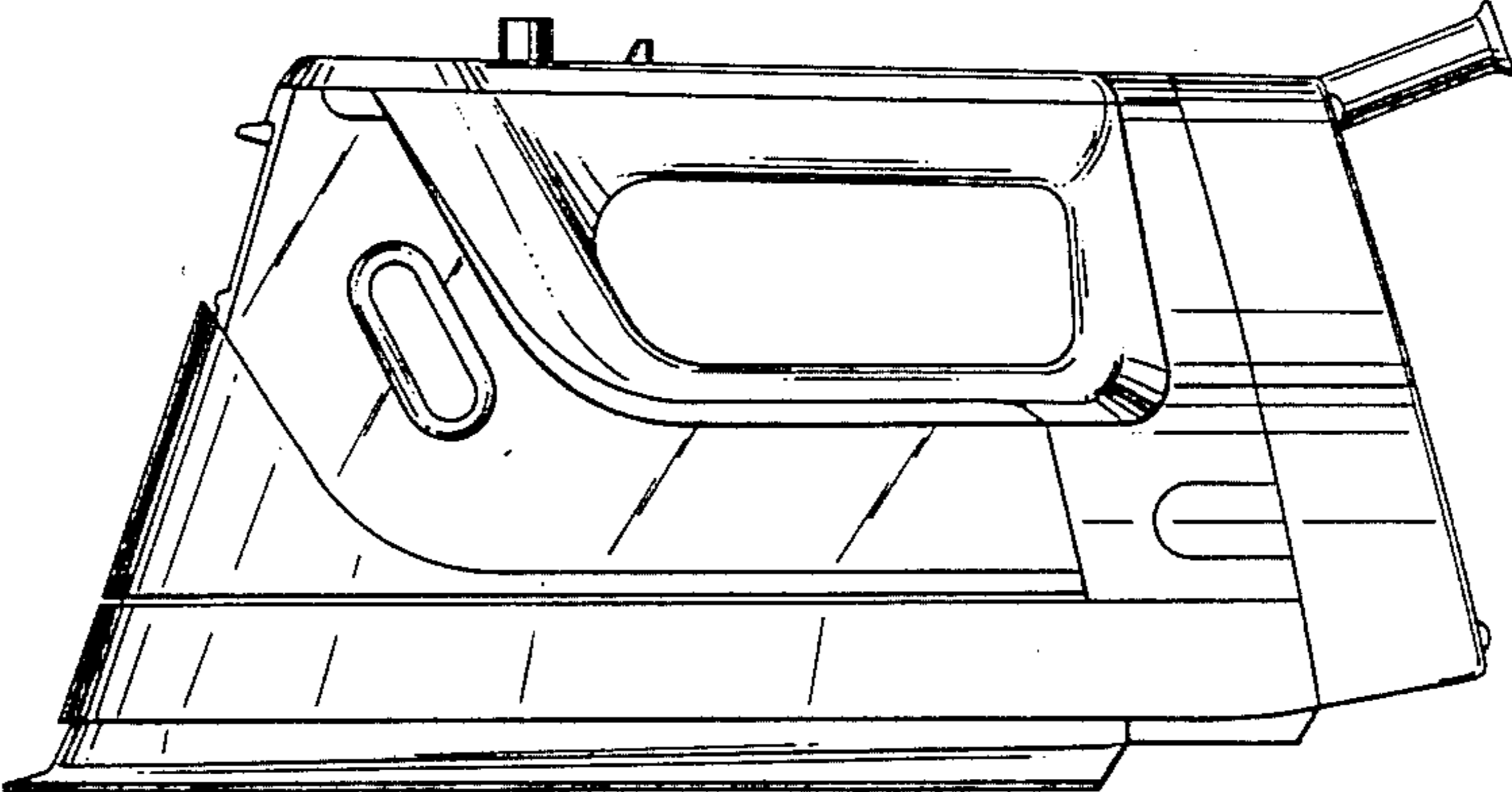


FIG.3

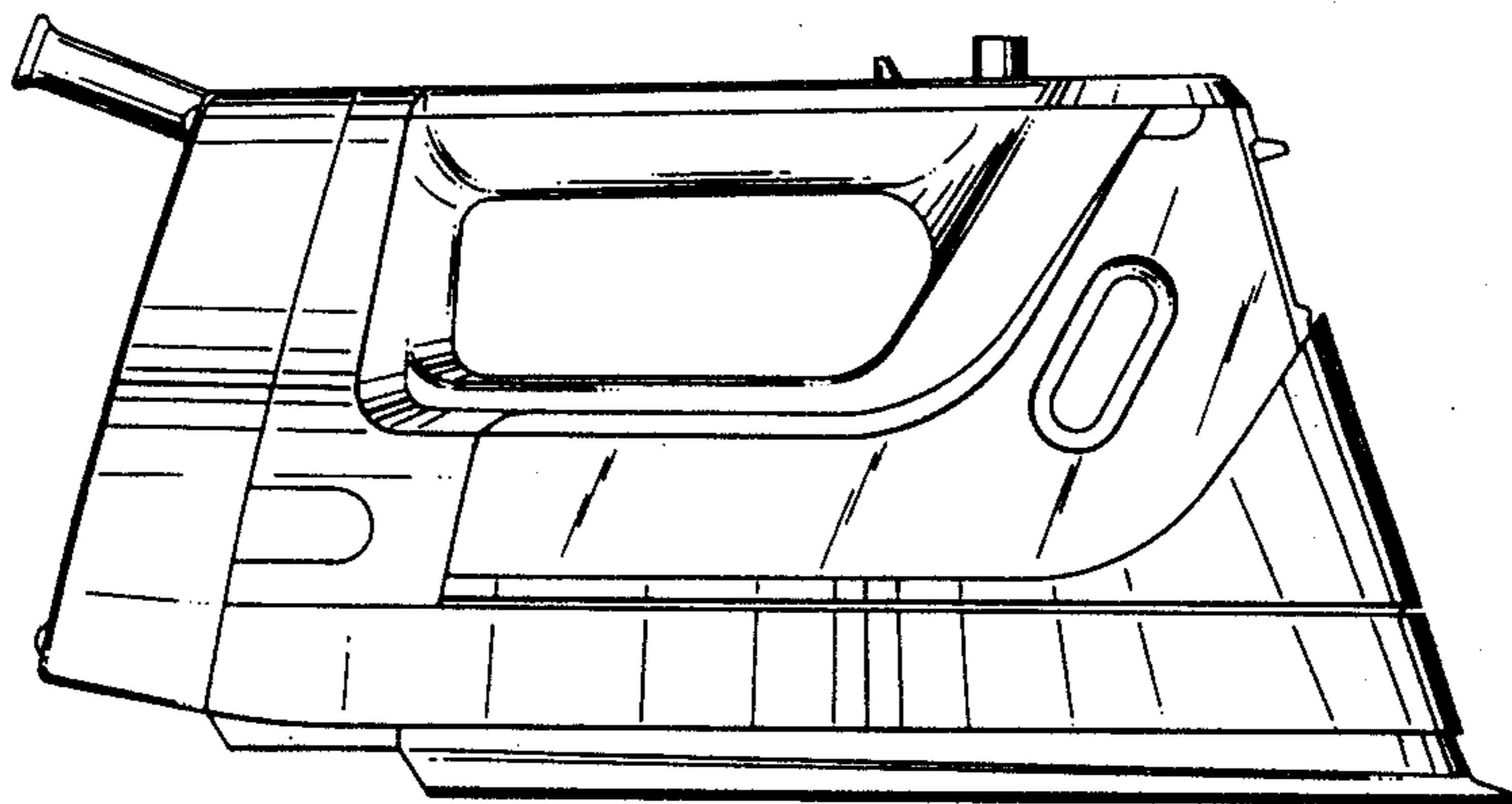


FIG.4

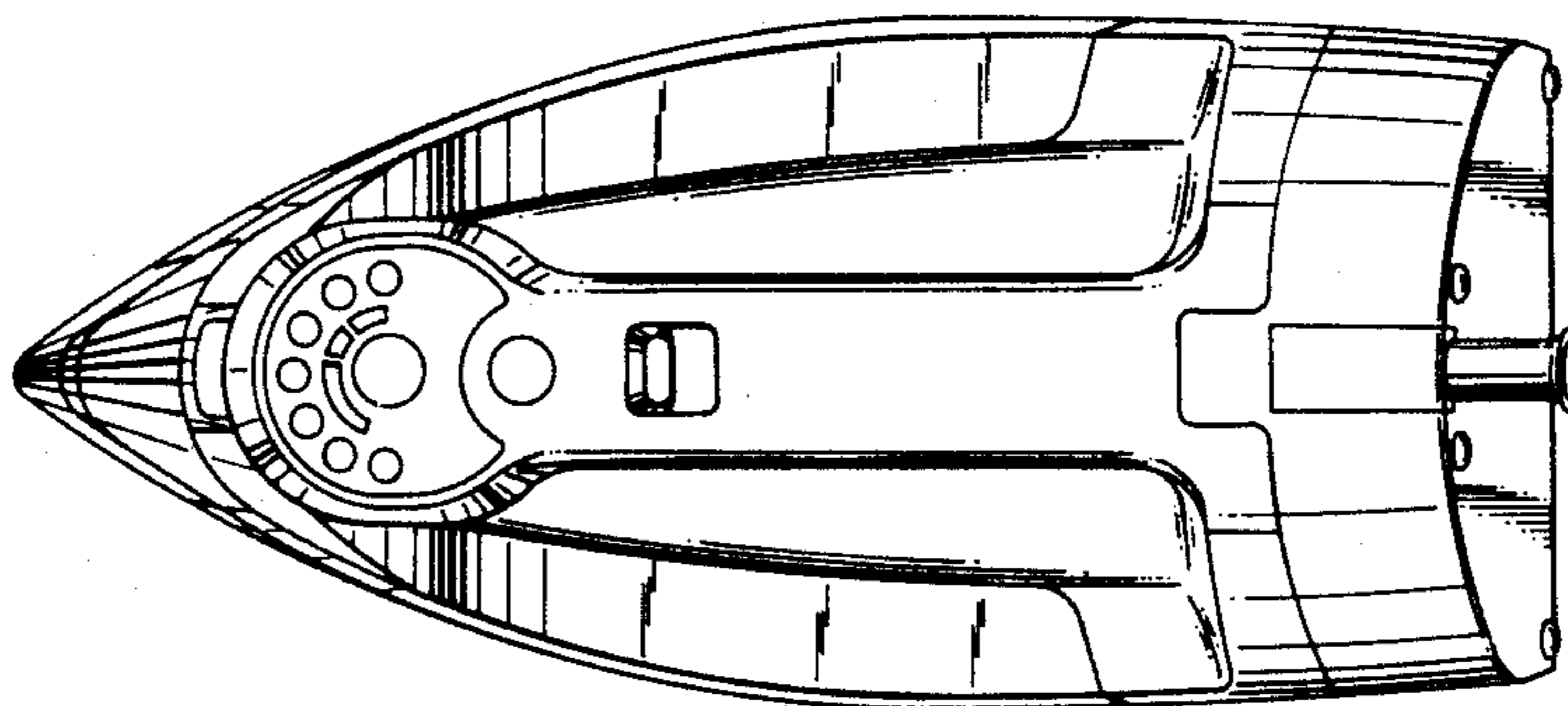


FIG.5

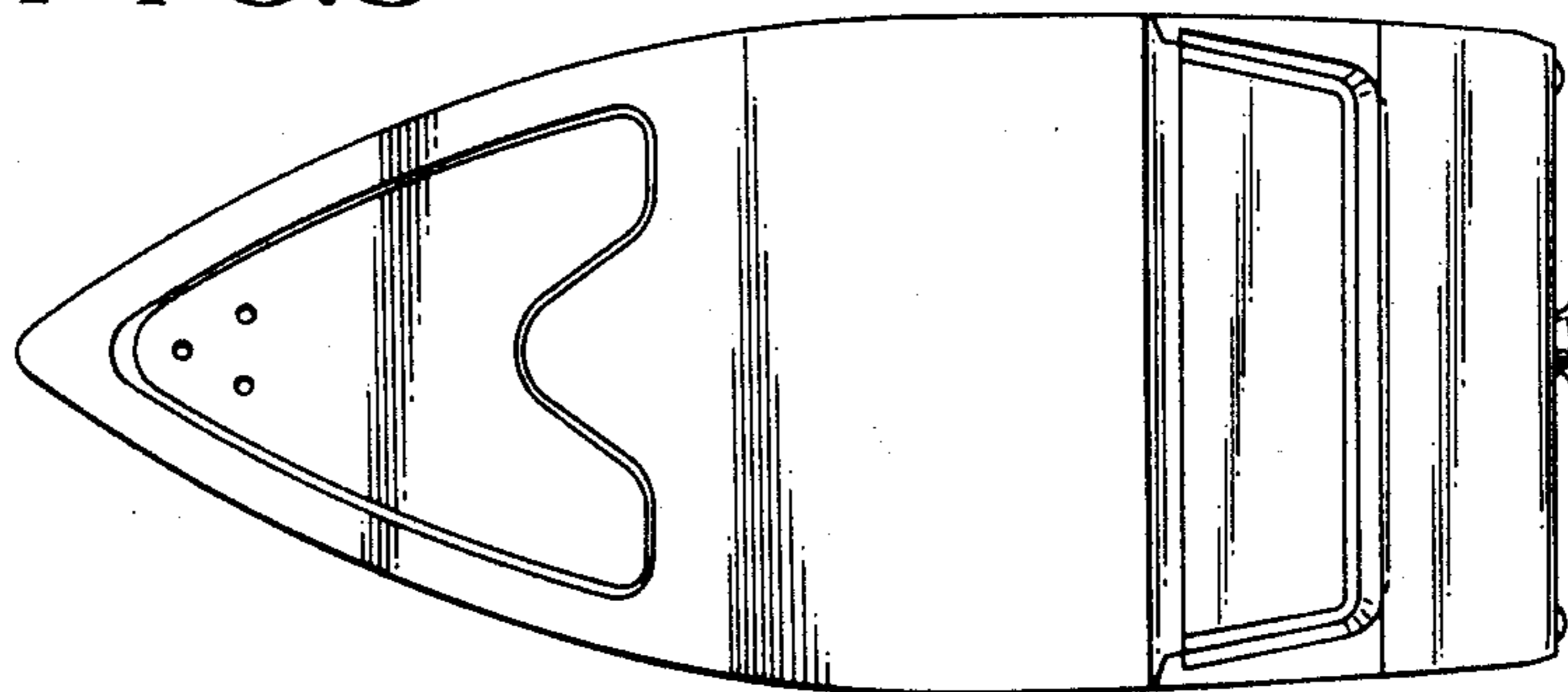


FIG.6

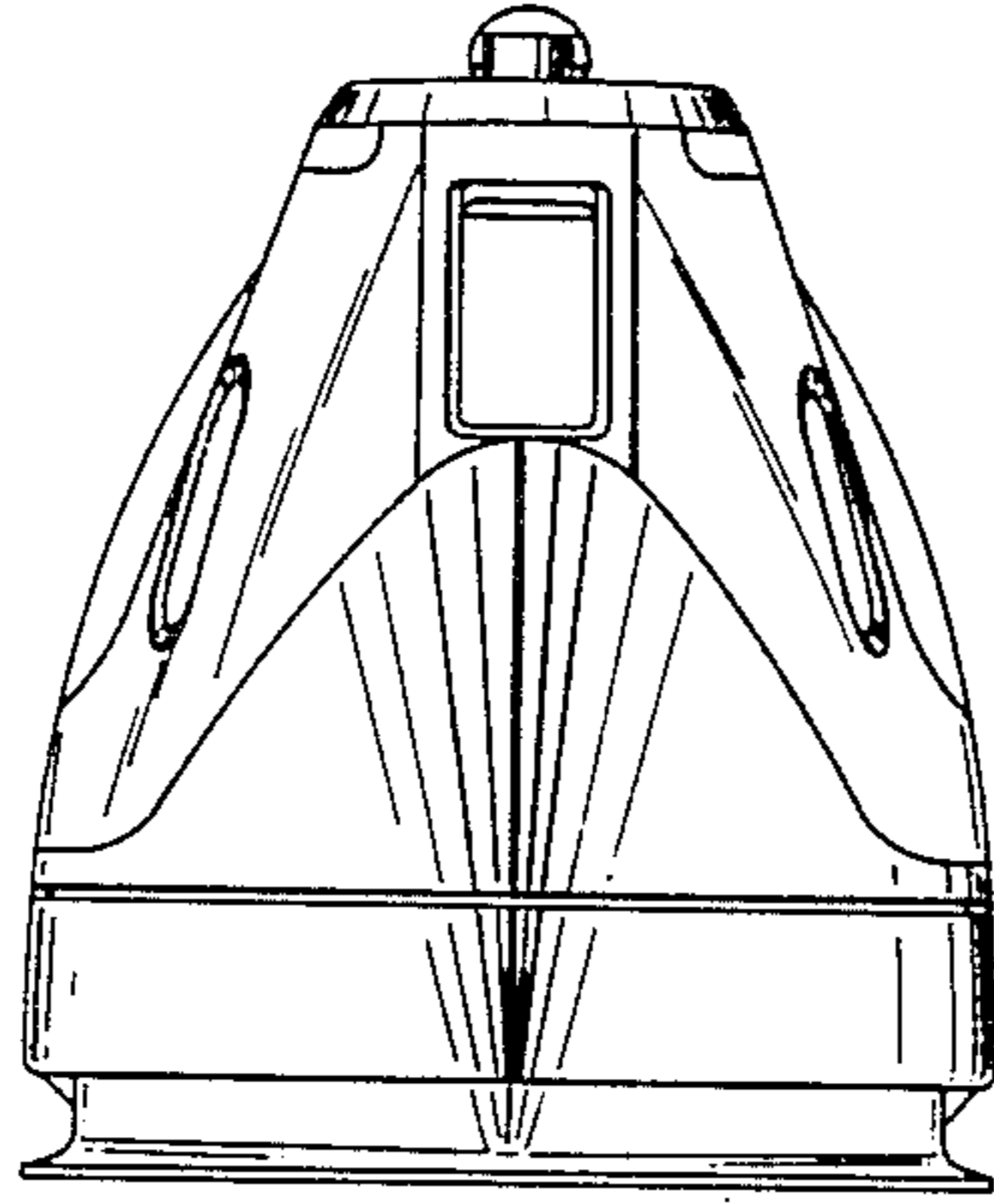


FIG.7

