

[54] STEAM IRON

[75] Inventor: Norman A. Steinkamp, La Grange Park, Ill.

[73] Assignee: John Zink Company, Tulsa, Okla.

[**] Term: 14 Years

[21] Appl. No.: 740,130

[22] Filed: May 31, 1985

[52] U.S. Cl. D32/70

[58] Field of Search D32/68-73;
38/69, 74, 75, 77.1-77.9, 88, 94, 96, 142;
219/245-259, 271-276

[56] References Cited

U.S. PATENT DOCUMENTS

D. 214,753 7/1969 Schellens D32/70

D. 240,997 8/1976 Julkenbeck D32/70
D. 286,215 10/1986 Pataki D32/70
D. 286,216 10/1986 Pataki D32/70

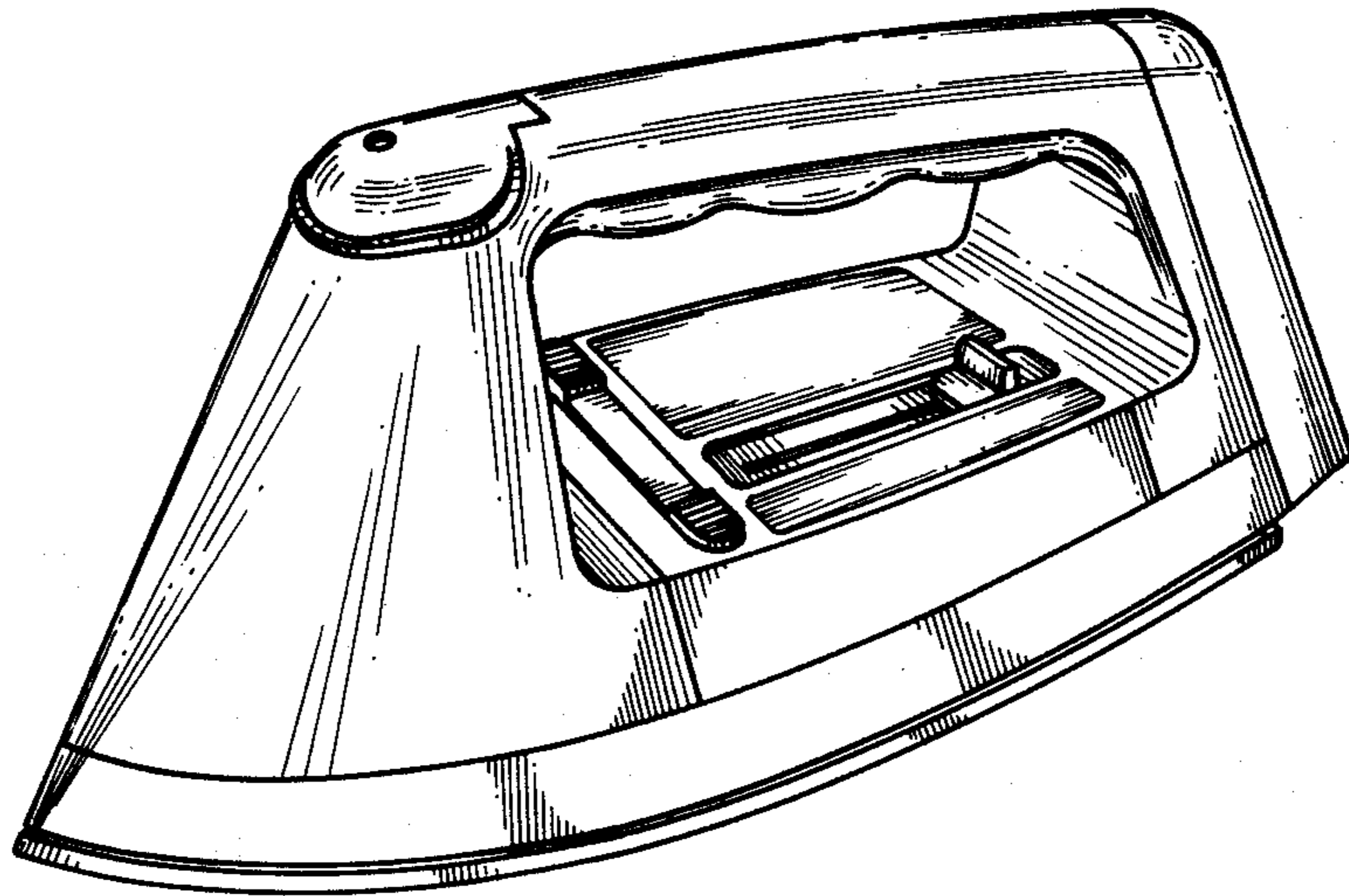
Primary Examiner—Catherine E. Kemper
Attorney, Agent, or Firm—Neil M. Rose

[57] CLAIM

The ornamental design for a steam iron, as shown.

DESCRIPTION

FIG. 1 is a perspective view of a steam iron showing my design;
FIG. 2 is a left side elevational view thereof;
FIG. 3 is a right side elevational view thereof;
FIG. 4 is a top plan view thereof;
FIG. 5 is a front end elevational view thereof;
FIG. 6 is a rear end elevational view thereof, and
FIG. 7 is a bottom plan view thereof.



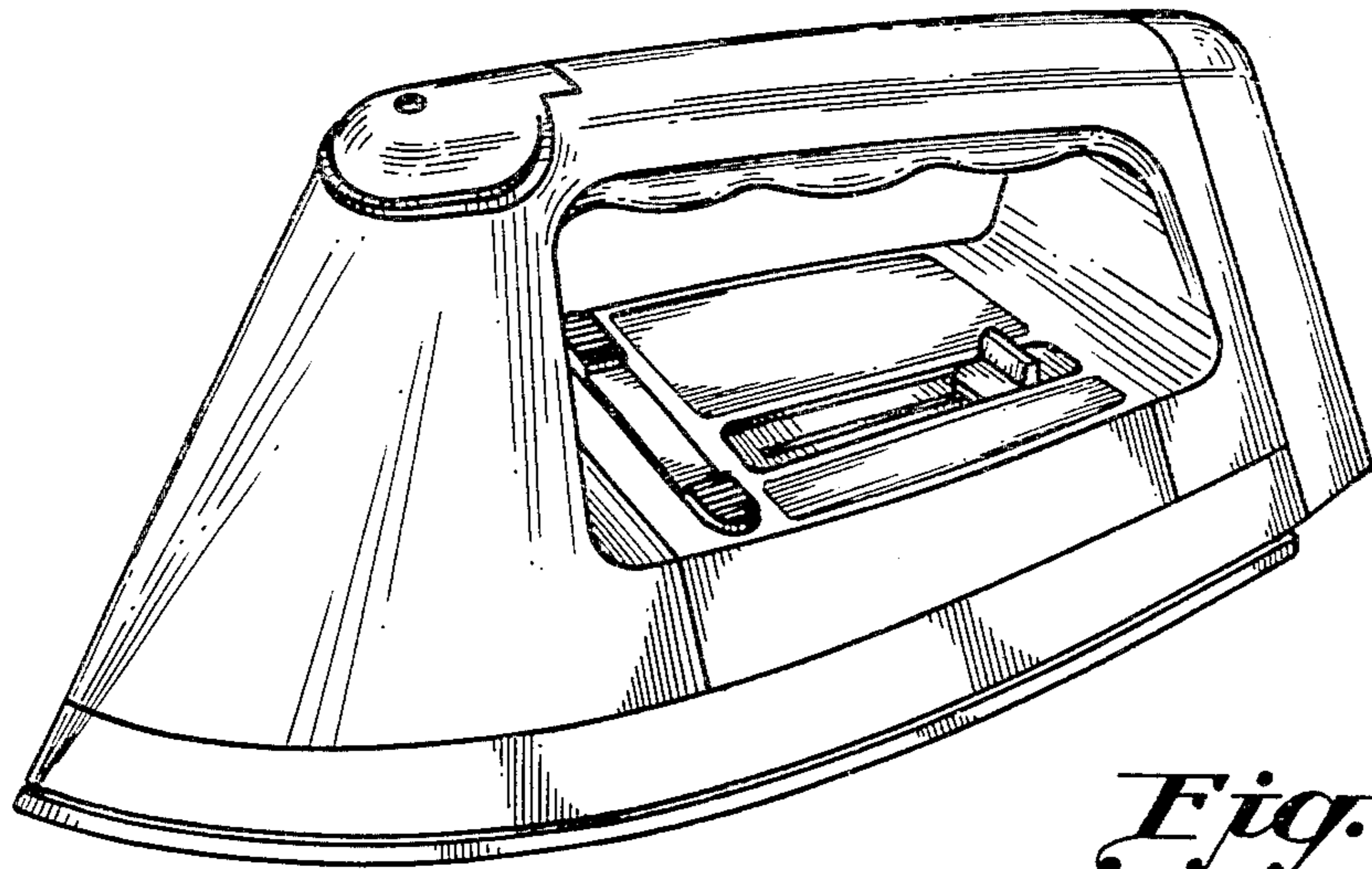


Fig. 1

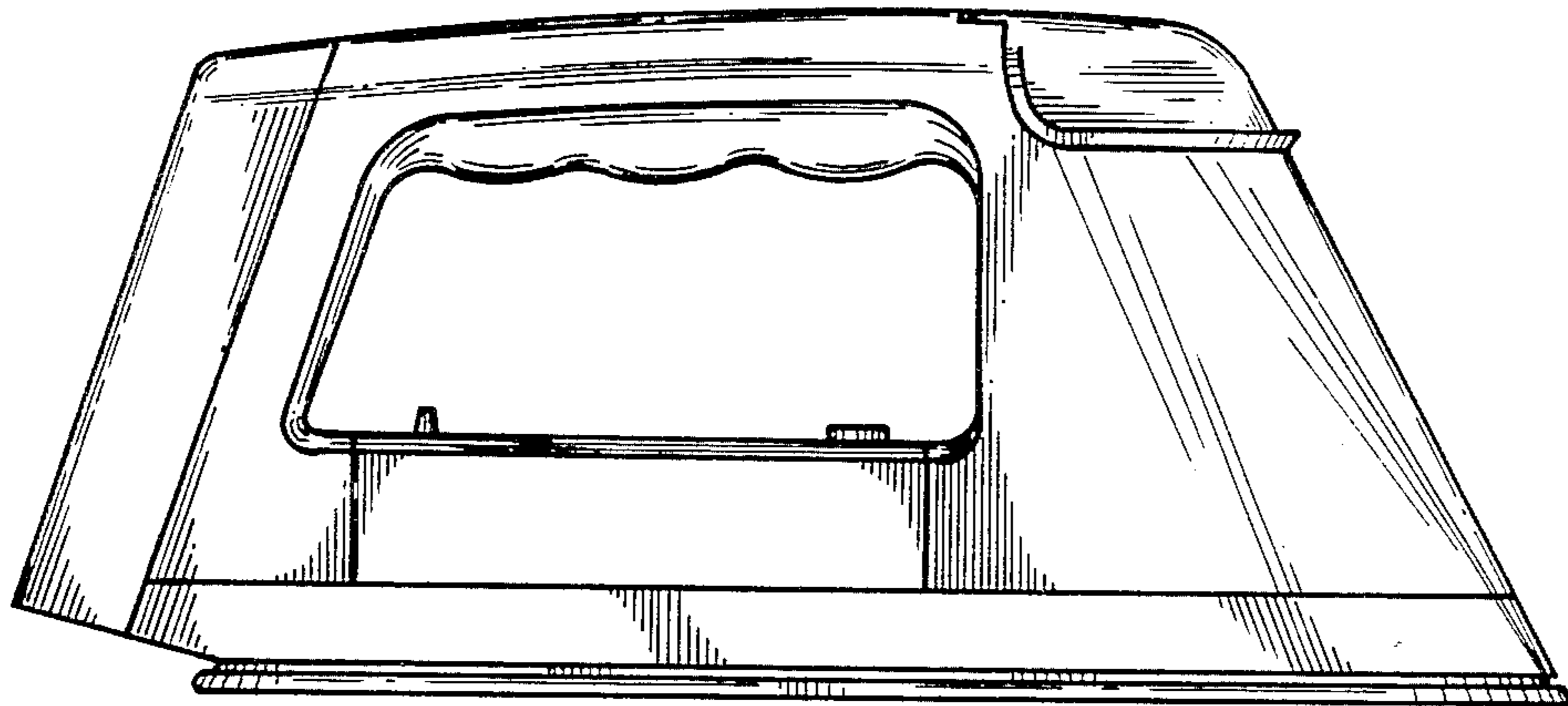


Fig. 2

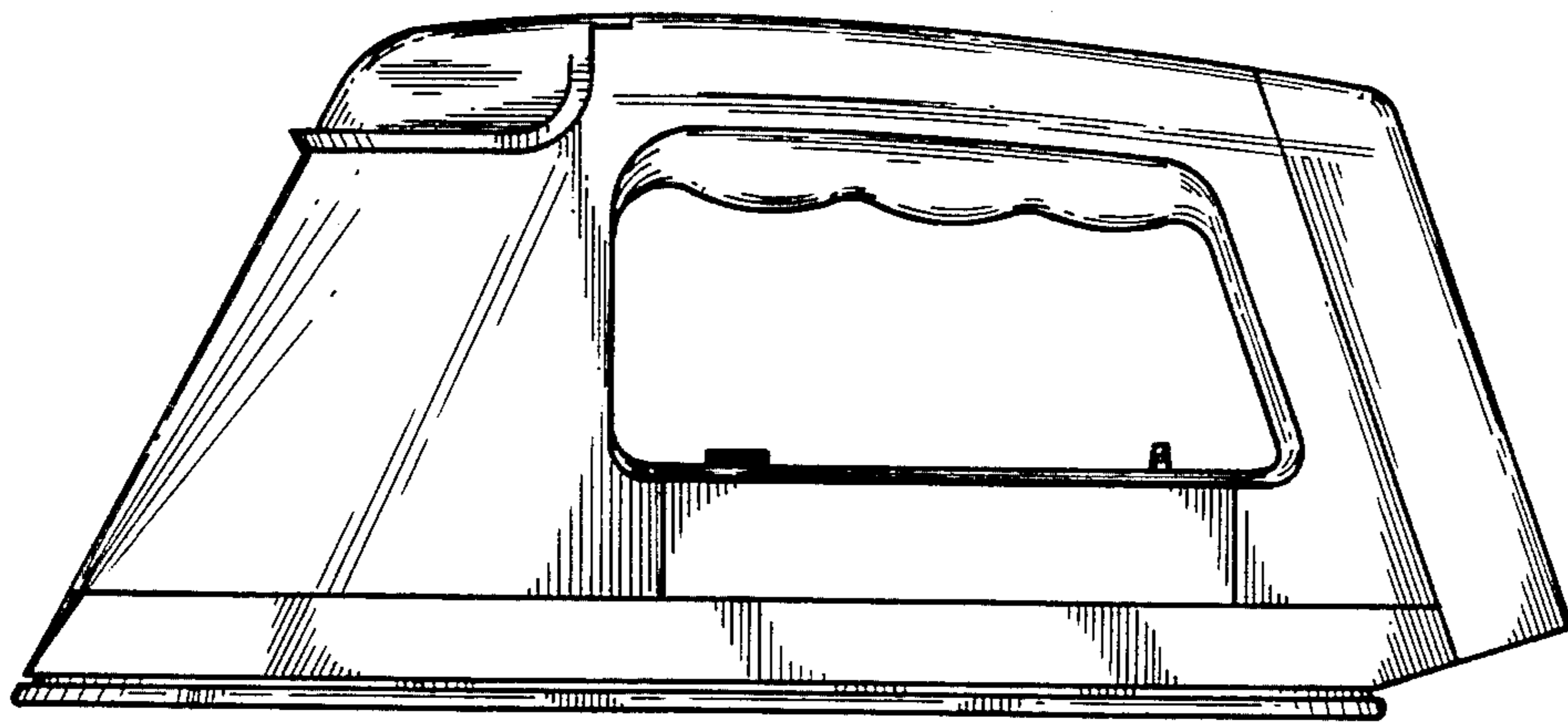


Fig. 3

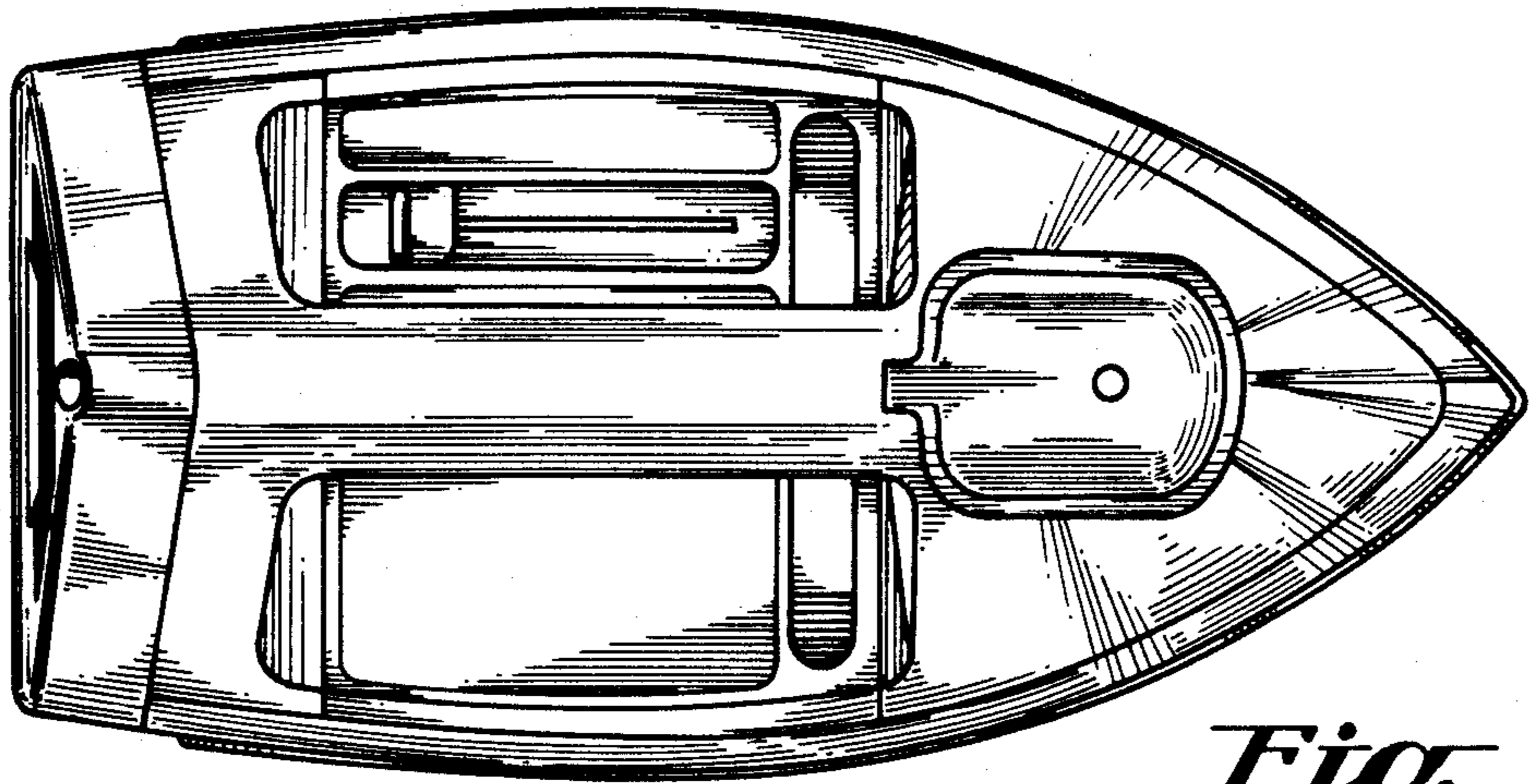


Fig. 4

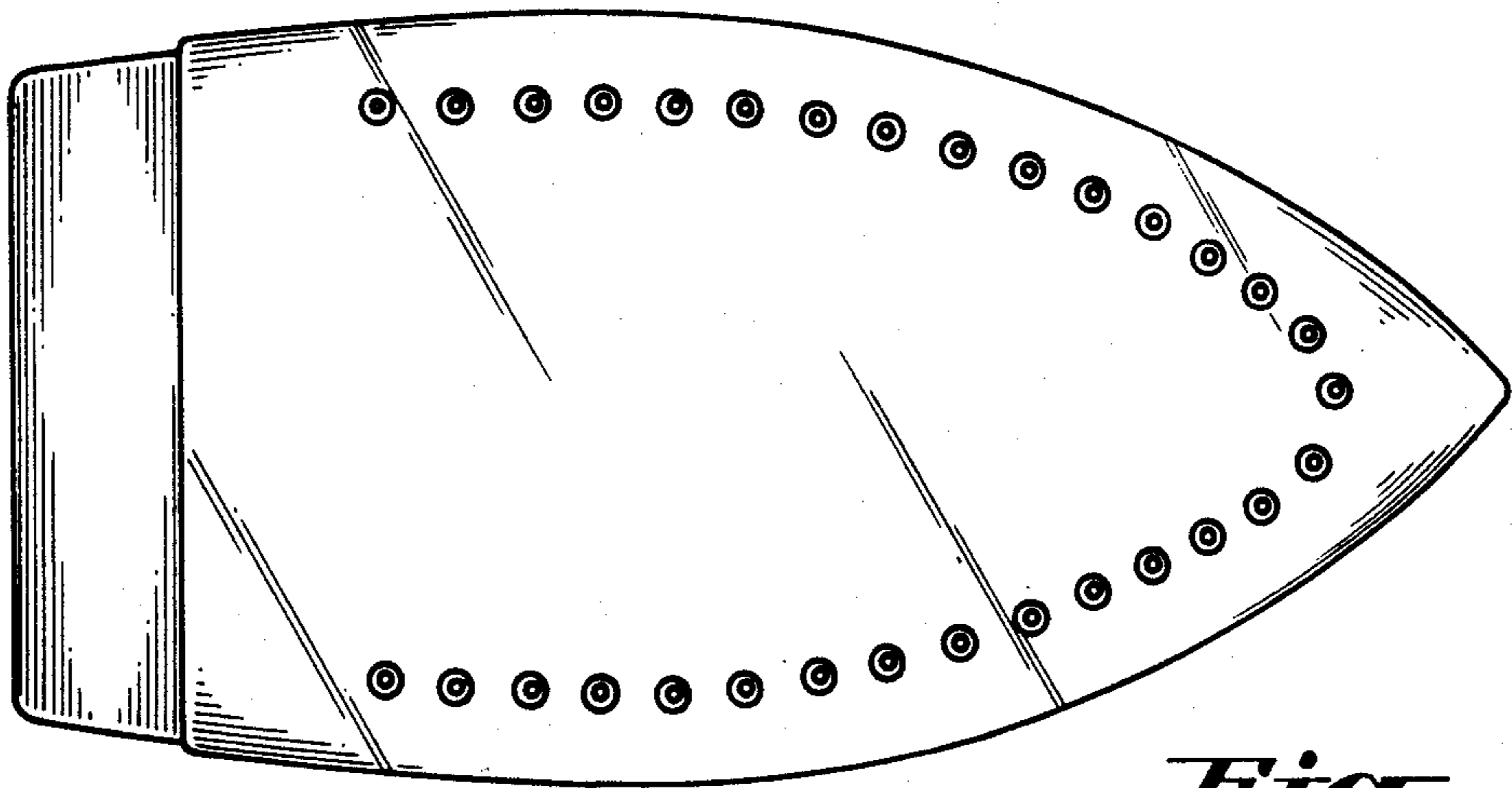


Fig. 7

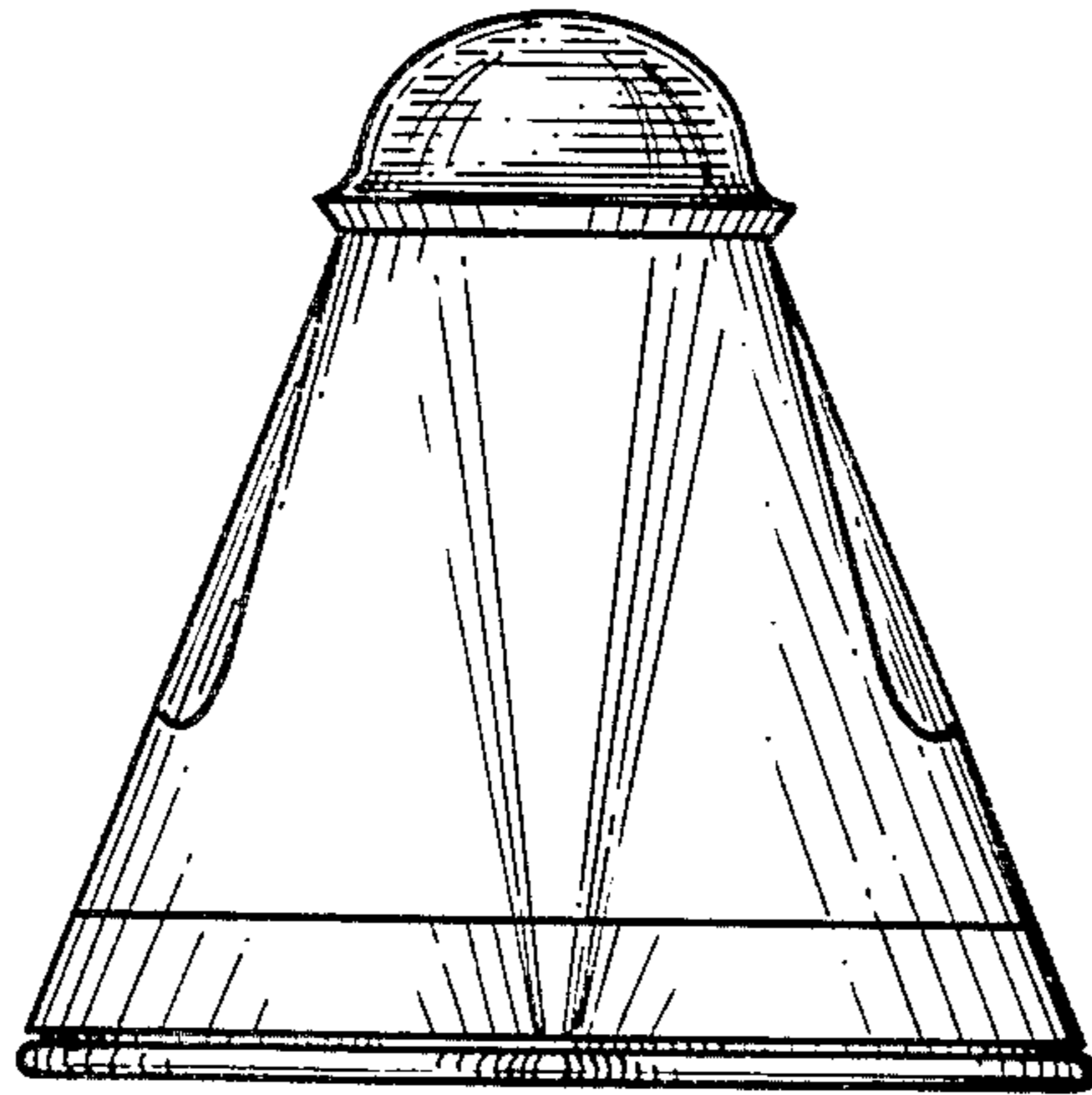


Fig. 5

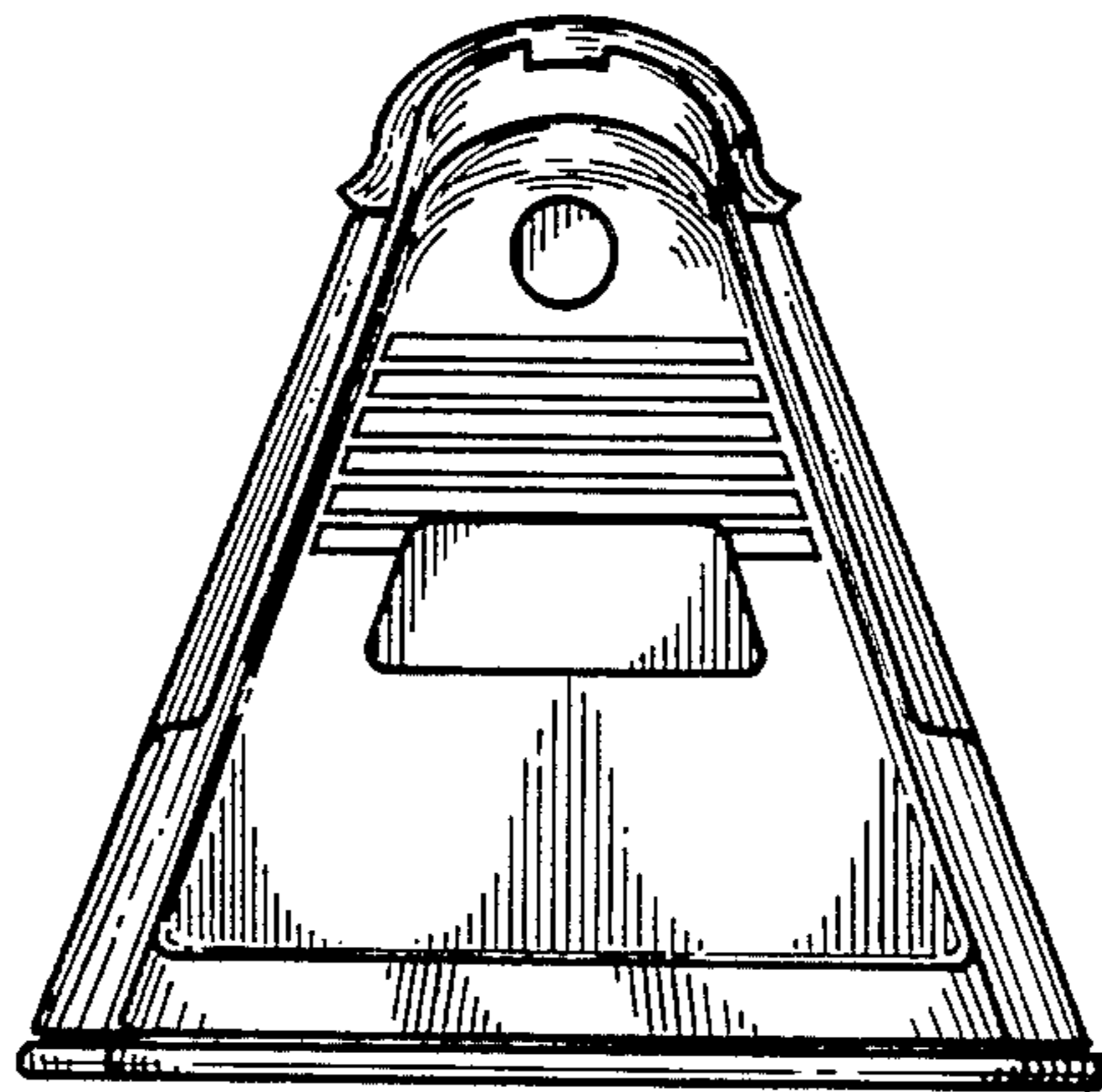


Fig. 6