

[54] PORTABLE RECHARGEABLE LIGHT

[75] Inventors: Koichiro Sano; Satoru Usami; Tadahide Okuno, all of Osaka, Japan

[73] Assignee: Matsushita Electric Industrial Co., Ltd., Osaka, Japan

[**] Term: 14 Years

[21] Appl. No.: 675,576

[22] Filed: Nov. 28, 1984

[30] Foreign Application Priority Data

May 31, 1984 [JP] Japan 59-22454

[52] U.S. Cl. D26/65

[58] Field of Search D26/60-66, D26/93, 106-109; 362/269, 270, 275, 287, 418, 427, 410, 413, 98, 99, 157, 183, 188, 199

[56] References Cited

U.S. PATENT DOCUMENTS

D. 206,391 12/1966 Lax D26/64

D. 215,480 9/1969 Froelich et al. D26/65

D. 255,721 7/1980 Makainai D26/60

FOREIGN PATENT DOCUMENTS

76177 11/1946 Czechoslovakia 362/413

OTHER PUBLICATIONS

Winter Supplement 1984 by Hammacher Schlemmer & Co., p. 45, Private BookLight.

Primary Examiner—Susan J. Lucas
Attorney, Agent, or Firm—Sughrue, Mion, Zinn, Macpeak & Seas

[57] CLAIM

The ornamental design for a portable rechargeable light, as shown and described.

DESCRIPTION

FIG. 1 is a front, top and left side perspective view of a portable rechargeable light showing our new design; FIG. 2 is a rear, bottom and right side perspective view thereof; FIG. 3 is a perspective view thereof, in folded closed position; and FIG. 4 is a left side elevational view thereof.

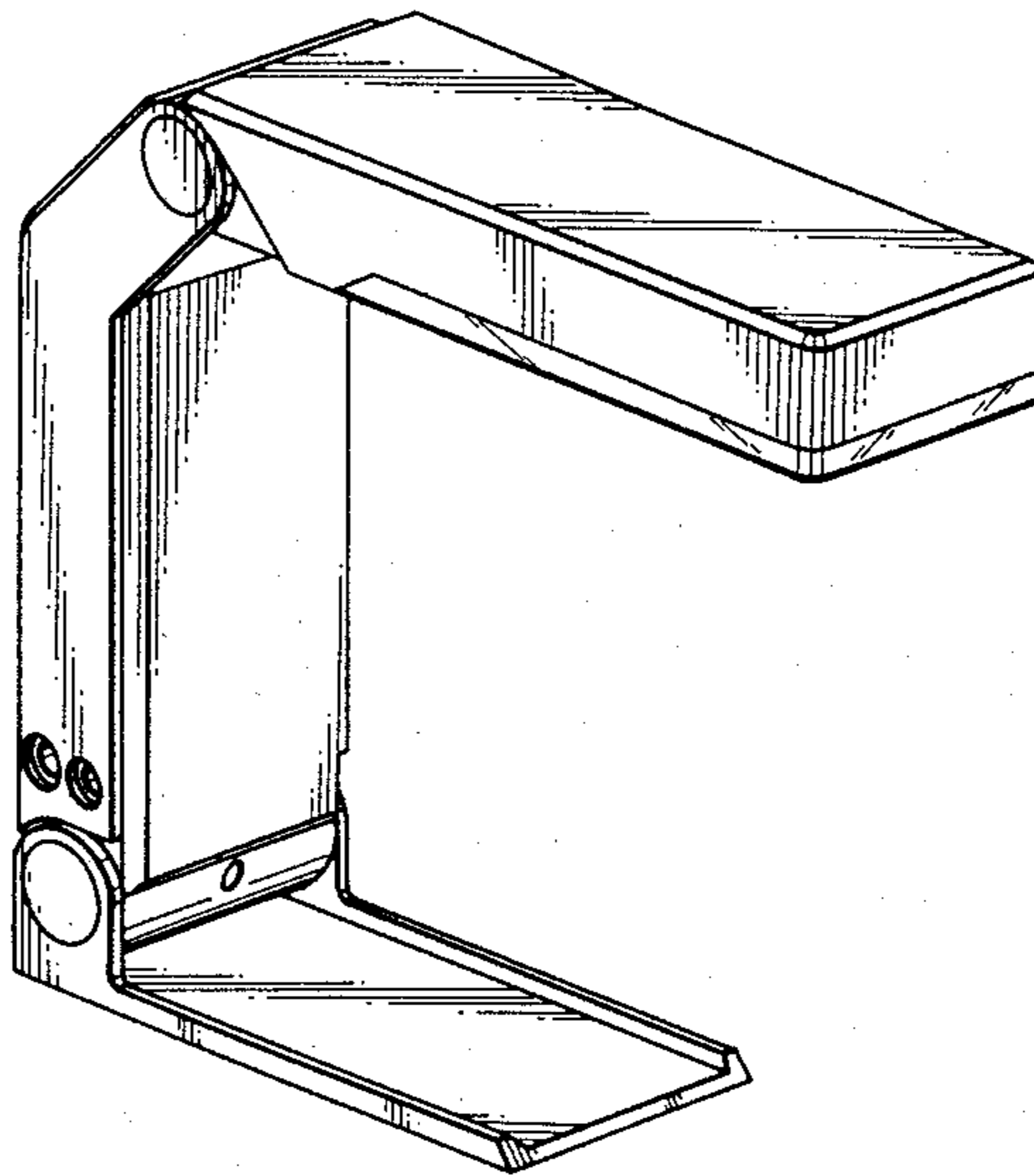


Fig. 1

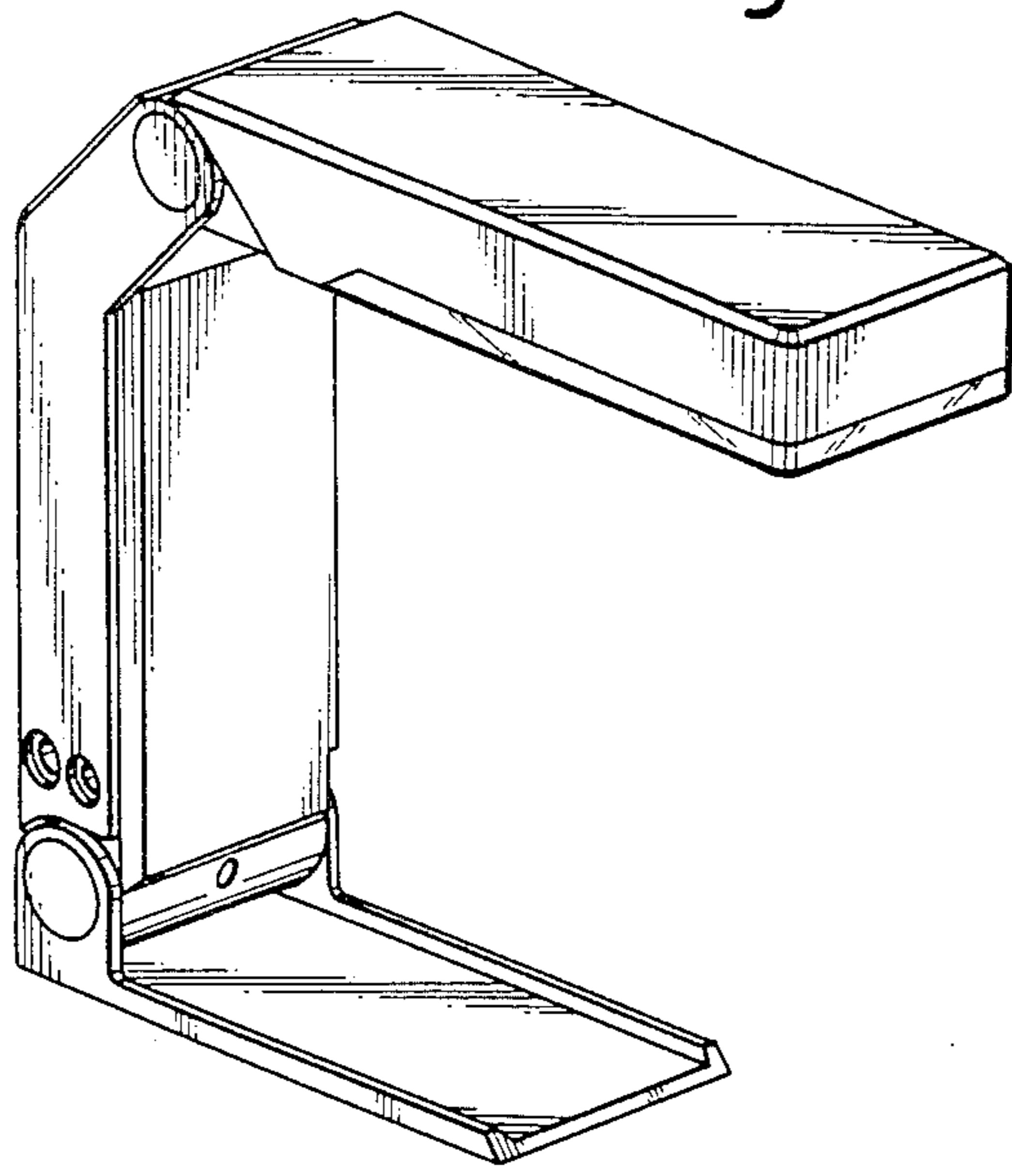


Fig. 2

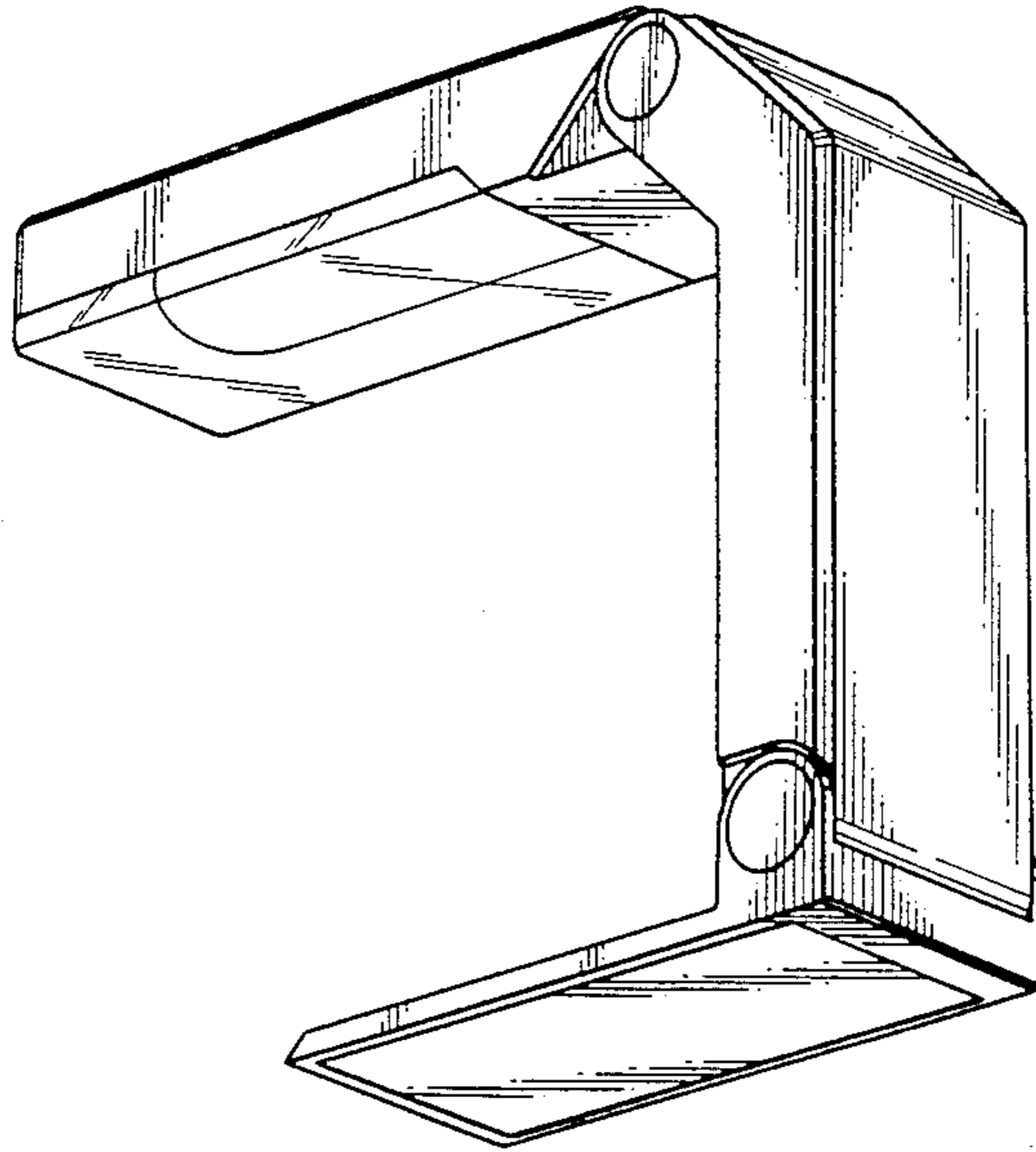


Fig. 3

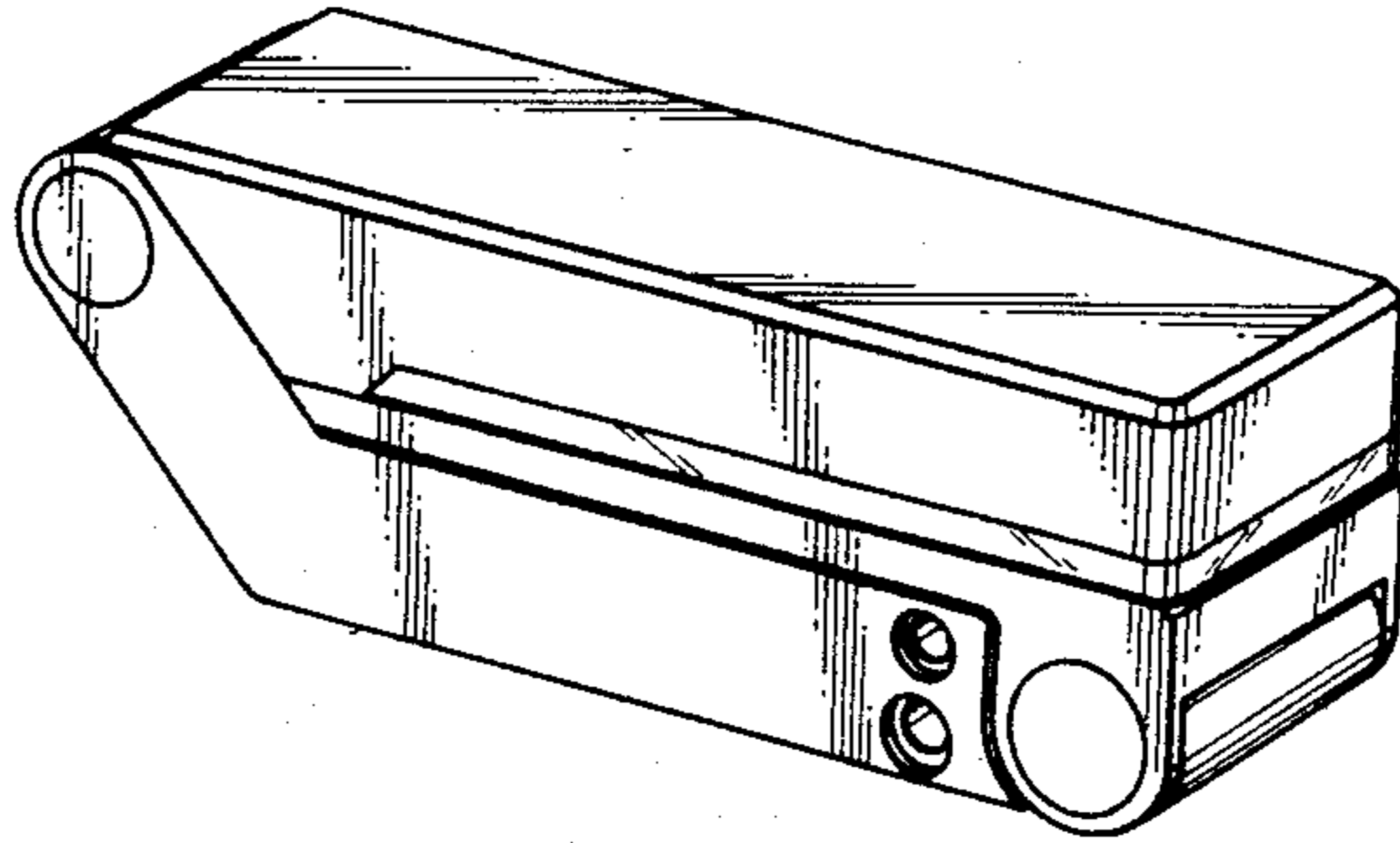


Fig. 4

