

[54] CORNER PIECE FOR A BASE PLATE VENTILATION SYSTEM

[76] Inventor: Christer Rittinge, Nybrogatan 3, S-252 50 Helsingborg, Sweden

[**] Term: 14 Years

[21] Appl. No.: 659,705

[22] Filed: Oct. 11, 1984

[30] Foreign Application Priority Data

Apr. 18, 1984 [SE]	Sweden	84-1283
[52] U.S. Cl.		D25/55; D25/98
[58] Field of Search		D25/35, 55, 74, 98; 52/169.5, 169.11, 302

[56] References Cited

U.S. PATENT DOCUMENTS

4,381,630	5/1983	Koester	D25/74
4,528,787	7/1985	Rittinge	52/169.5
4,612,742	9/1986	Bevilacqua	52/169.5

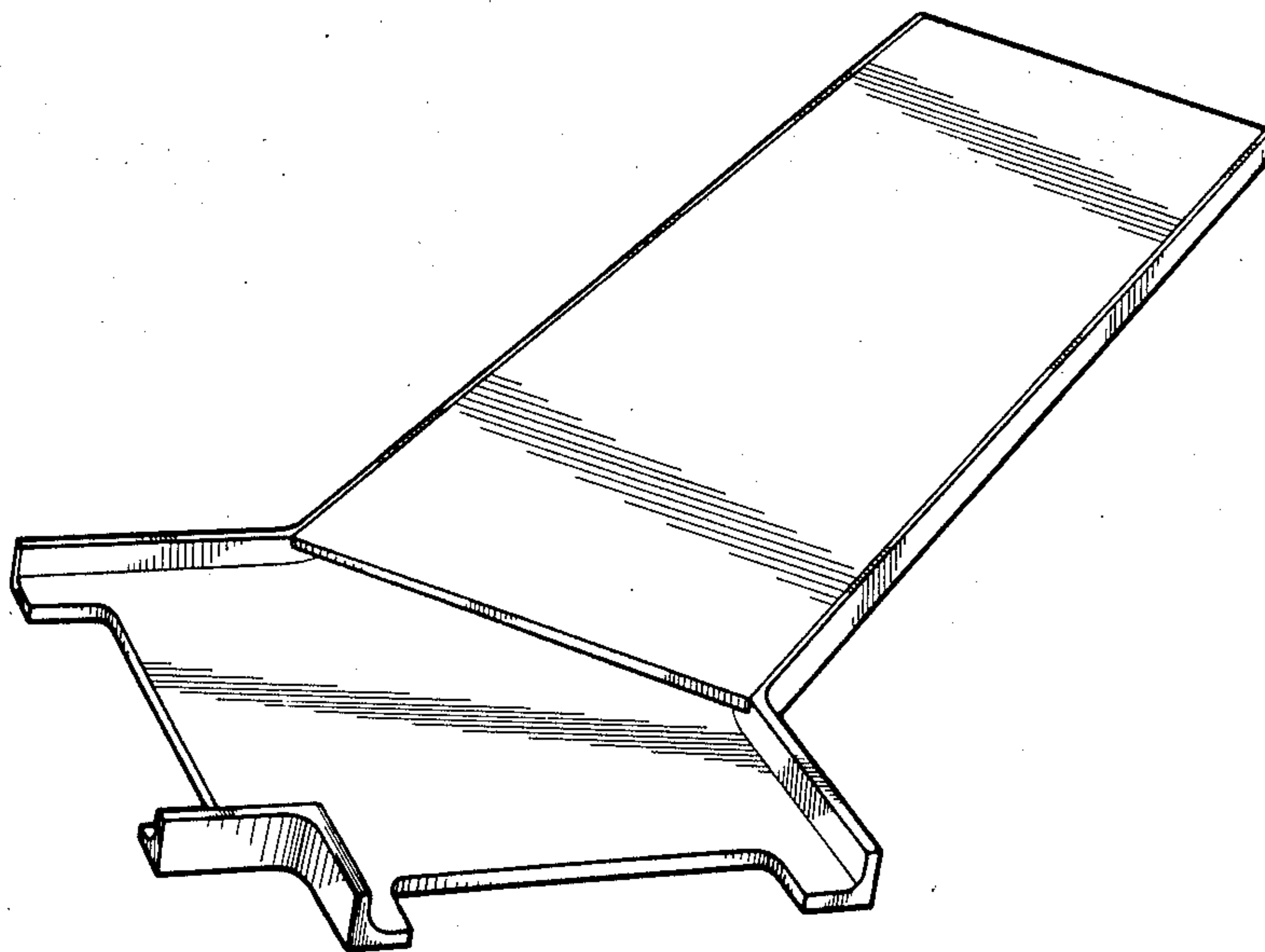
Primary Examiner—James M. Gandy
Attorney, Agent, or Firm—Finnegan, Henderson, Farabow, Garrett & Dunner

[57] CLAIM

The ornamental design for a corner piece for a base plate ventilation system, as shown.

DESCRIPTION

FIG. 1 is a top perspective view of a corner piece for a base plate ventilation system showing my new design; and
FIG. 2 is a bottom perspective view thereof.



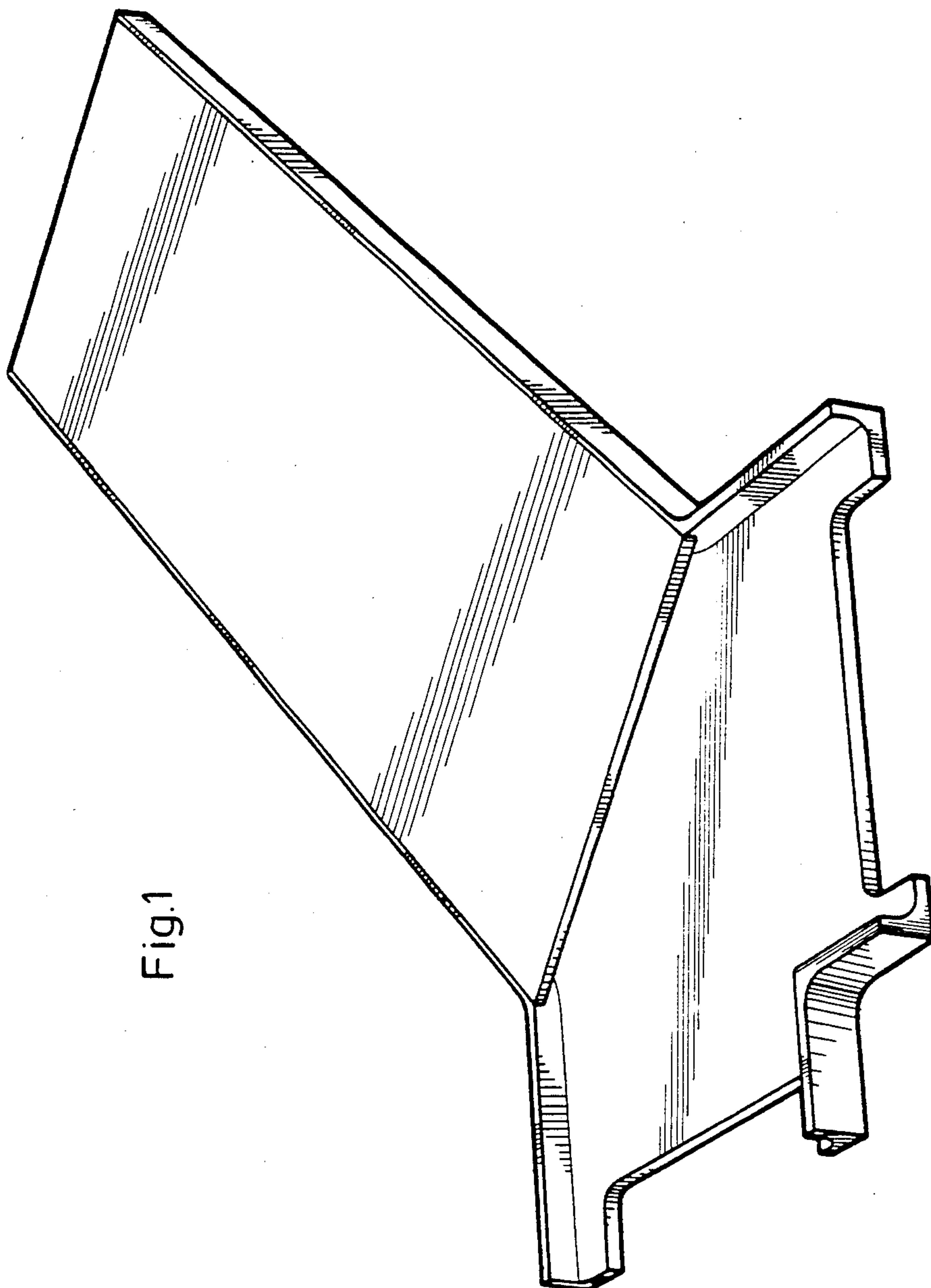


Fig.1

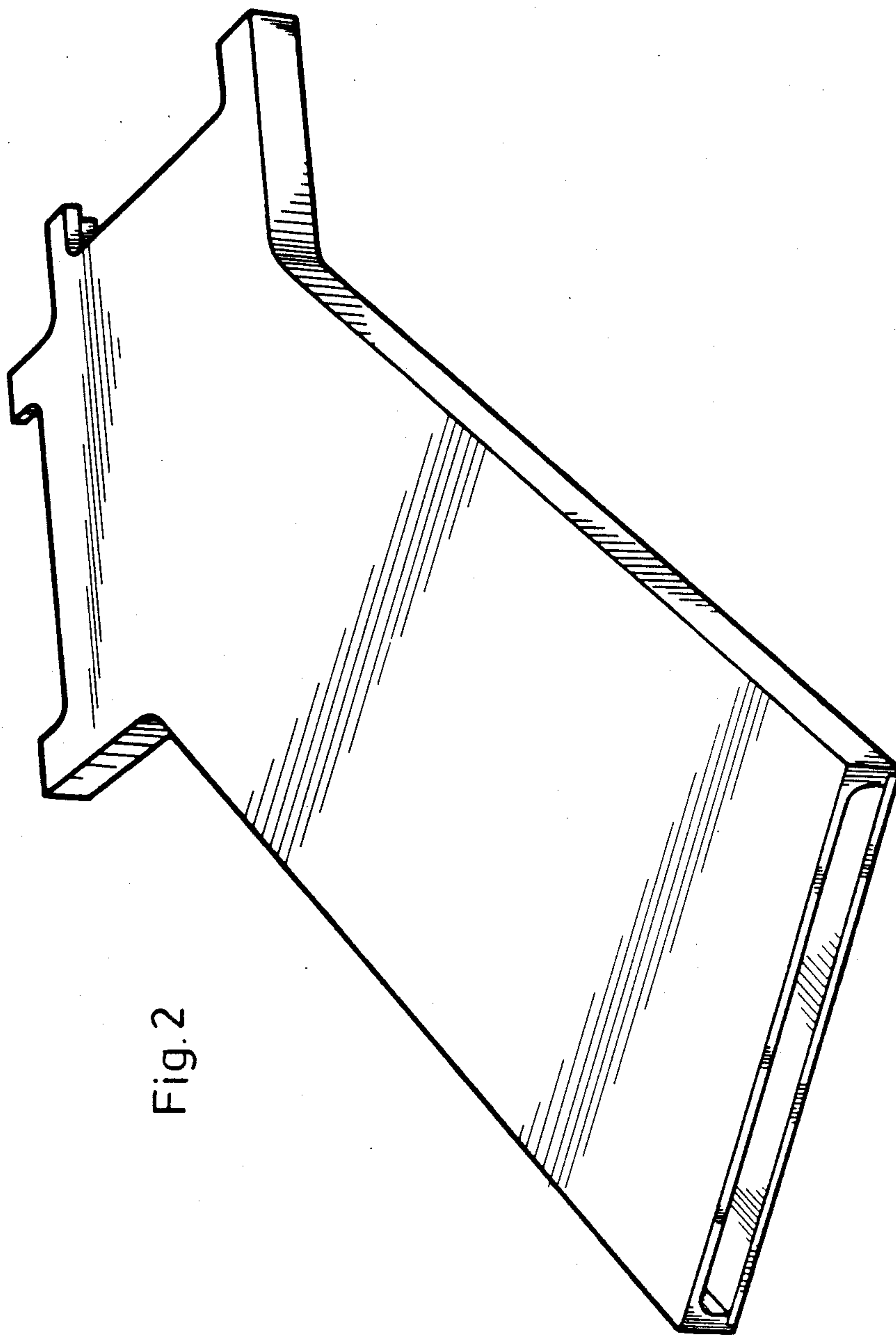


Fig. 2